



US00D636640S

(12) **United States Design Patent**  
**Latham**

(10) **Patent No.:** **US D636,640 S**

(45) **Date of Patent:** **\*\* Apr. 26, 2011**

(54) **BEVERAGE CUP HOLDER**

(76) Inventor: **John F. Latham**, Sunny Isles, FL (US)

(\*\*) Term: **14 Years**

(21) Appl. No.: **29/366,383**

(22) Filed: **Jul. 23, 2010**

(51) **LOC (9) Cl.** ..... **07-06**

(52) **U.S. Cl.** ..... **D7/622**

(58) **Field of Classification Search** ..... D7/619.1-625;  
215/393-396; 294/28, 29, 27, 31.2, 32, 33,  
294/146, 137; 220/737-742; 248/311.2,  
248/309.1

See application file for complete search history.

(56) **References Cited**

**U.S. PATENT DOCUMENTS**

3,458,164	A *	7/1969	Massey	.....	220/741
D225,437	S *	12/1972	Killgrew	.....	D7/622
D298,200	S *	10/1988	Block et al.	.....	D7/622
5,335,954	A *	8/1994	Holub et al.	.....	294/31.2

D366,601	S *	1/1996	Oroudjian	.....	D7/622
6,979,031	B2 *	12/2005	Coppotelli et al.	.....	294/27.1
D524,607	S *	7/2006	Kent-Fawkes	.....	D7/622
D557,567	S *	12/2007	Gronikowski et al.	.....	D7/622

\* cited by examiner

*Primary Examiner* — Terry A Wallace

(74) *Attorney, Agent, or Firm* — Christopher J. Vandam, PA

(57) **CLAIM**

I claim the ornamental design for the beverage cup holder, as shown and described.

**DESCRIPTION**

FIG. 1 shows a perspective view of the claimed beverage cup holder.

FIG. 2 demonstrates a perspective view thereof.

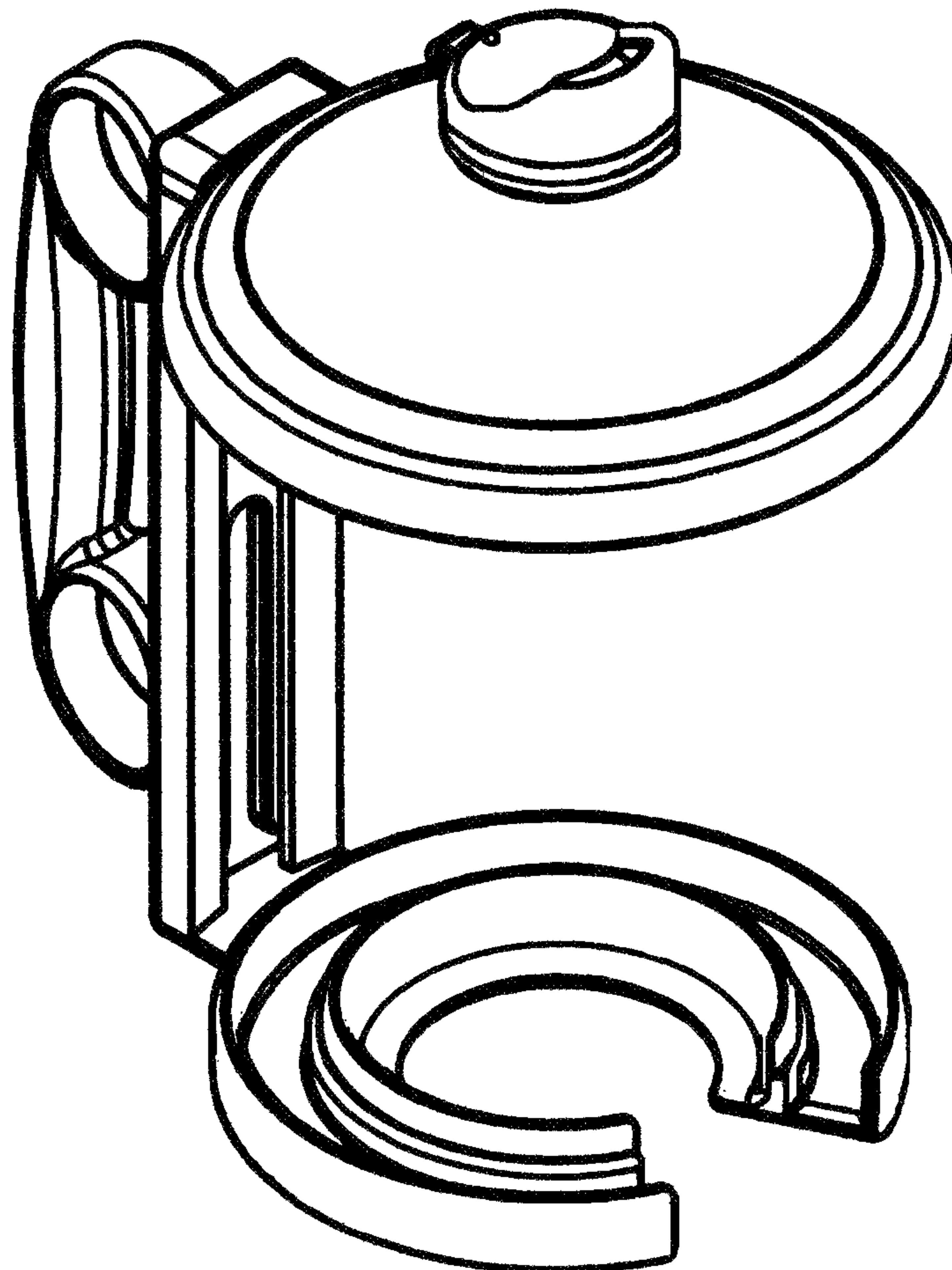
FIG. 3 portrays a front elevation view thereof.

FIG. 4 is a side elevation view thereof.

FIG. 5 illustrates a perspective view thereof; and,

FIG. 6 portrays a perspective view thereof.

**1 Claim, 6 Drawing Sheets**



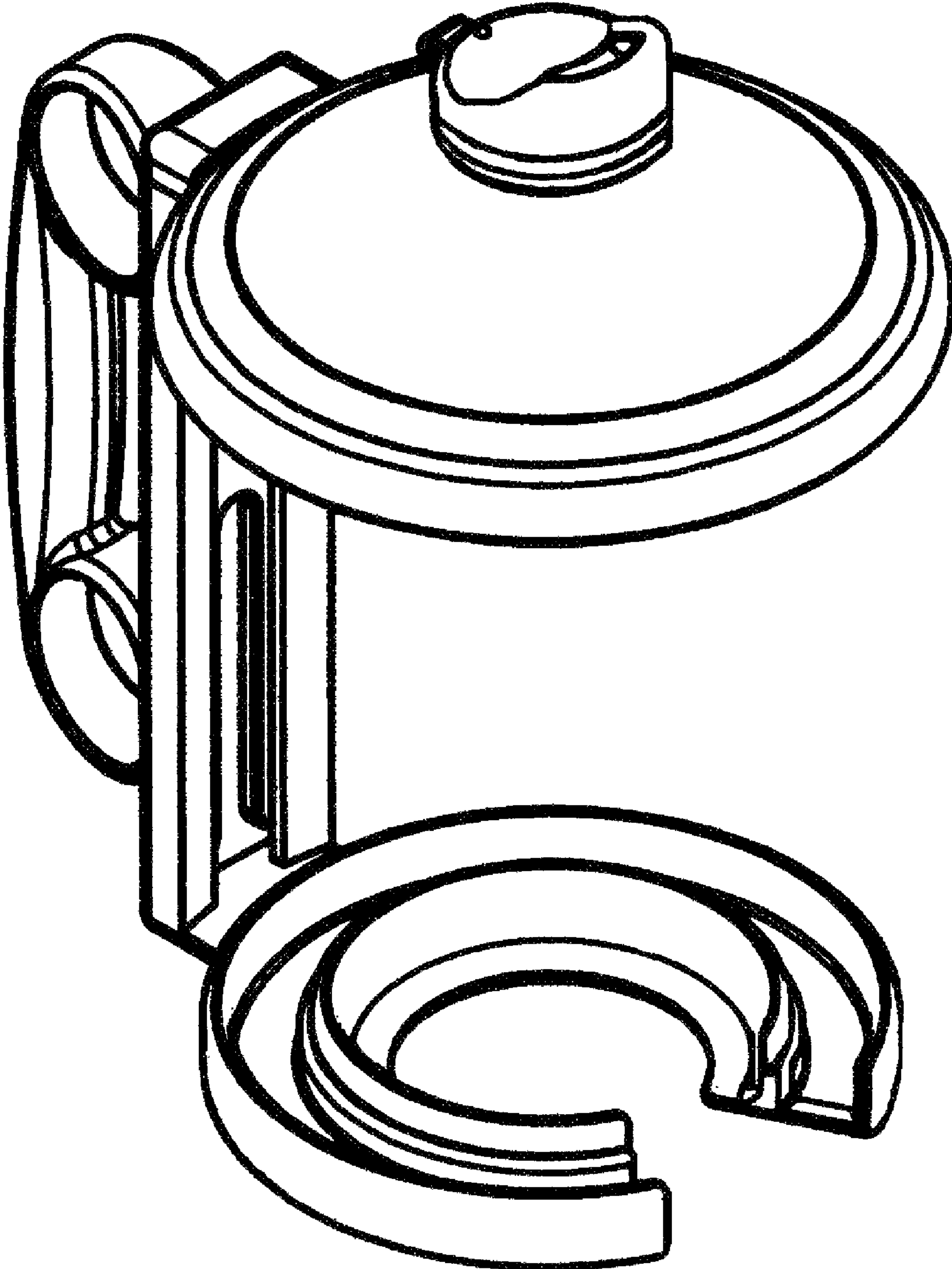


Fig. 1

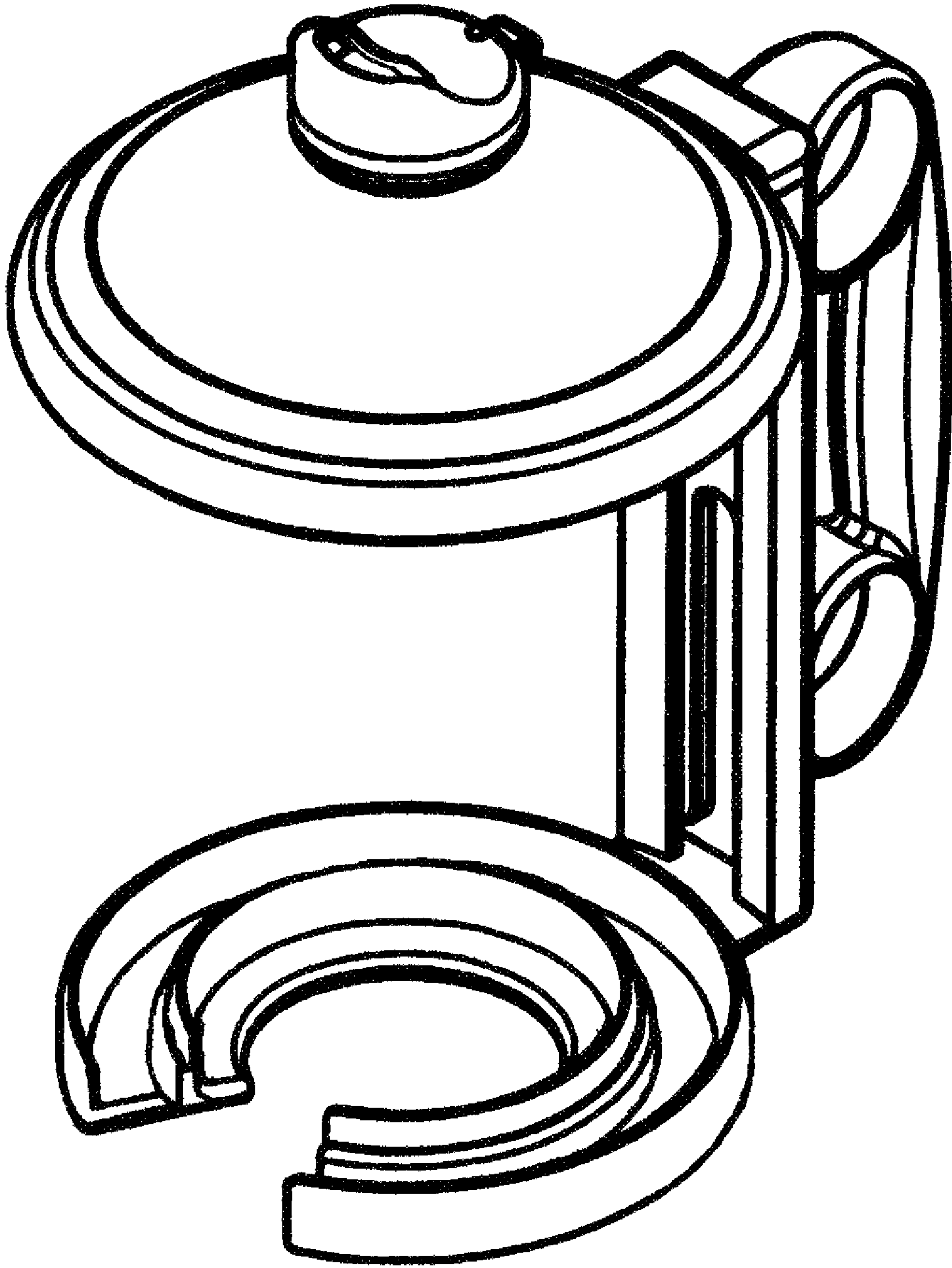


Fig.2

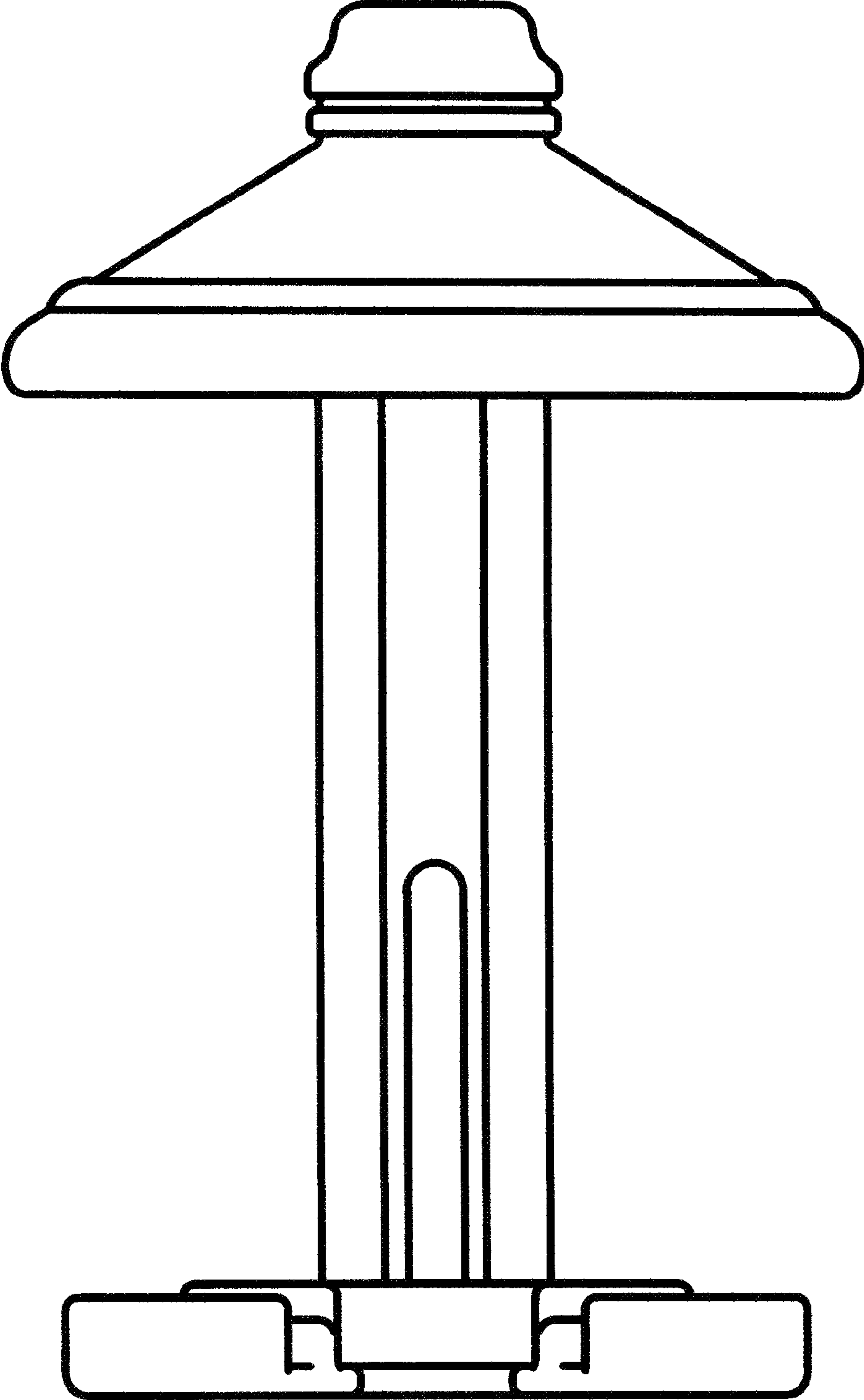


Fig.3

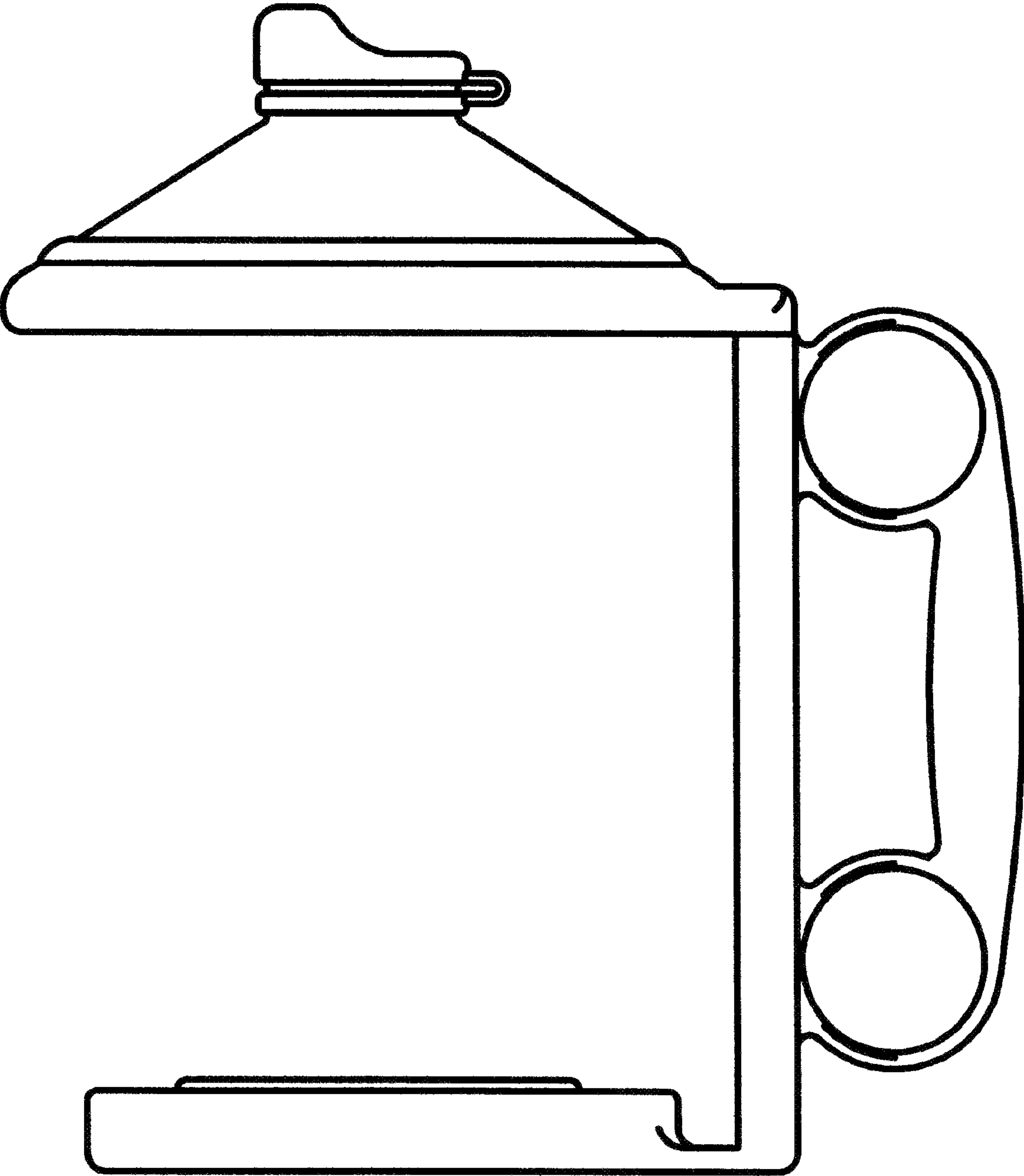


Fig.4



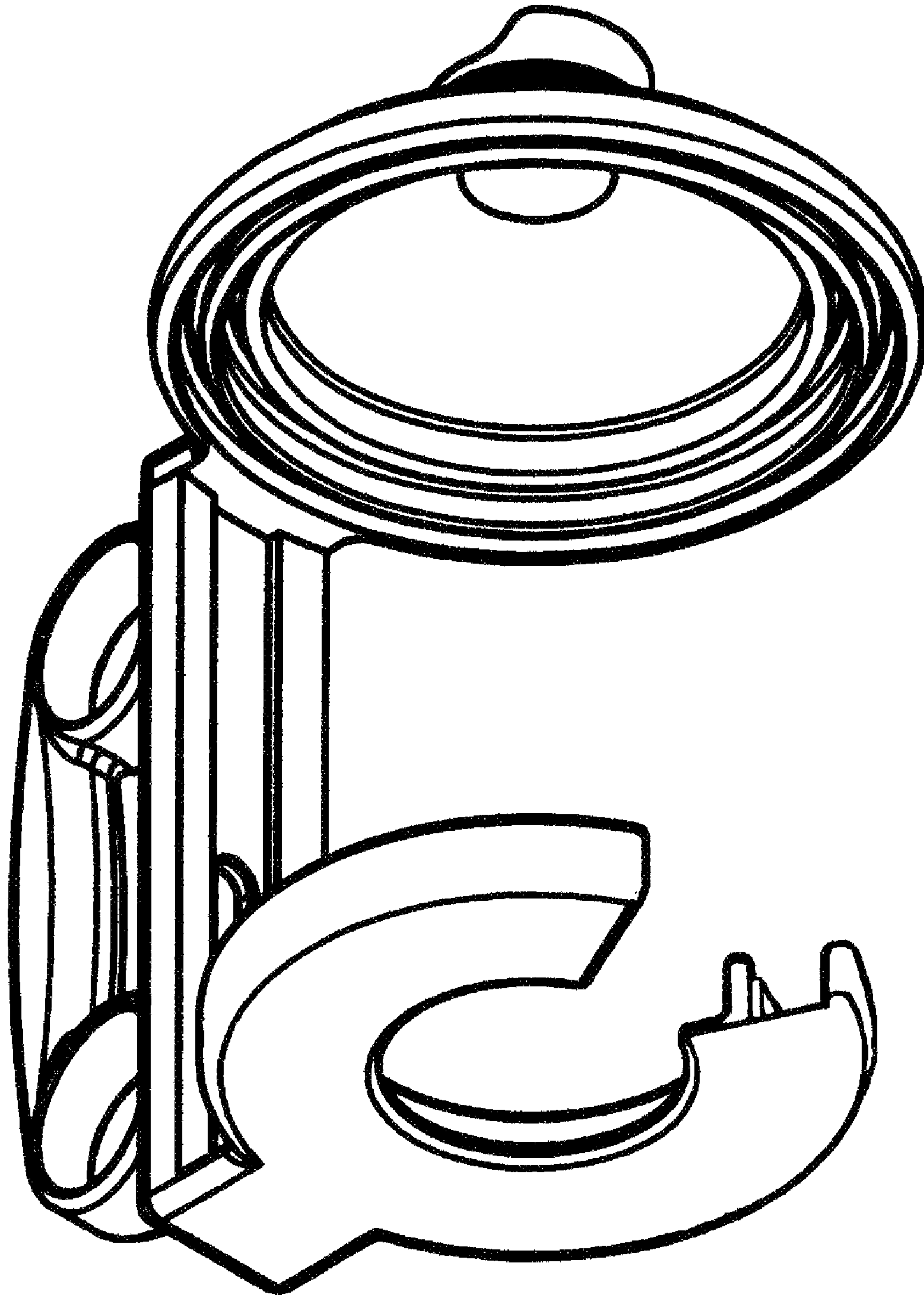


Fig. 5

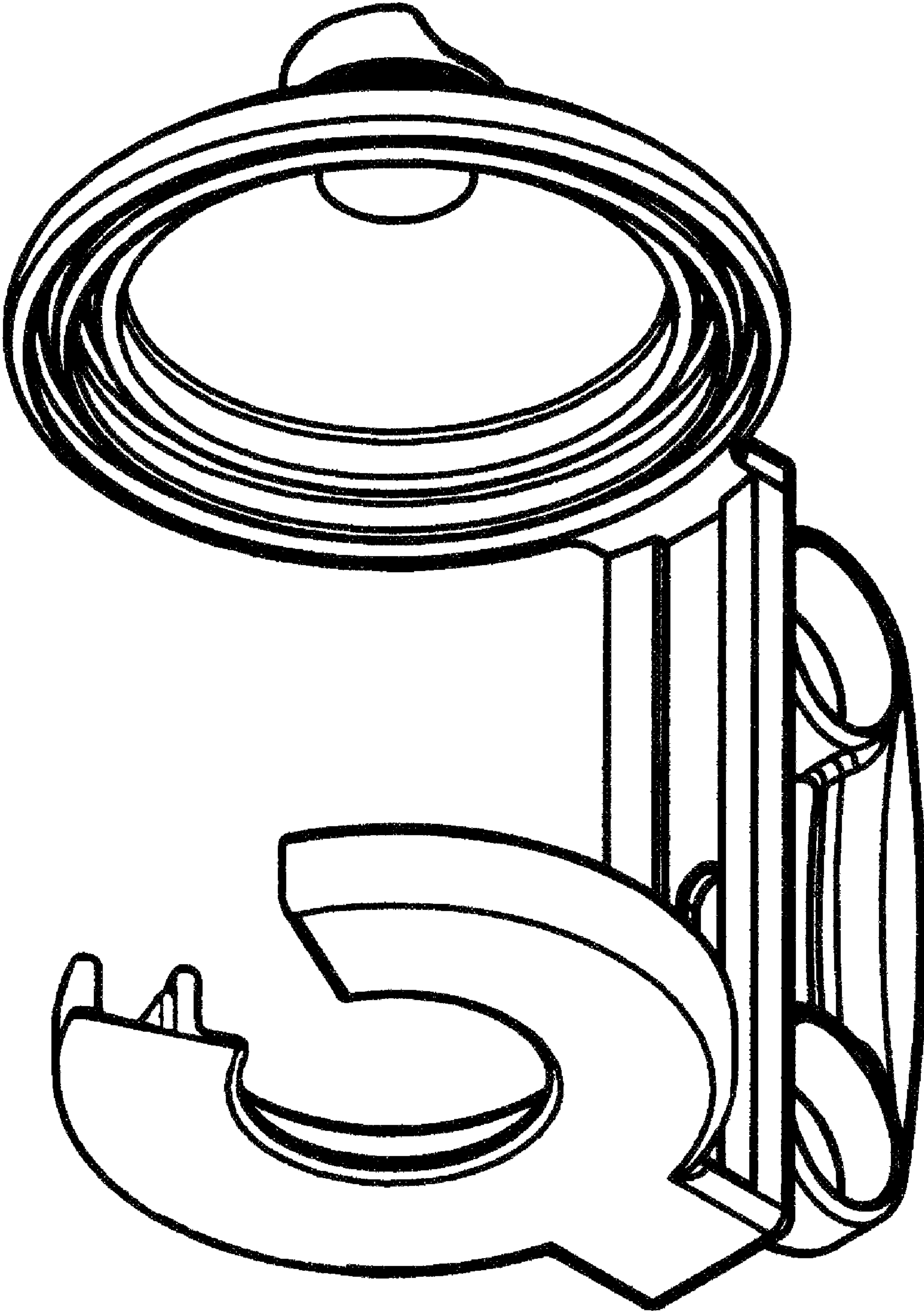


Fig. 6