



US00D636634S

(12) **United States Design Patent**
Kemper et al.

(10) **Patent No.:** **US D636,634 S**

(45) **Date of Patent:** **** Apr. 26, 2011**

(54) **LID ASSEMBLY**

(75) Inventors: **Bernard J. Kemper**, Bonne Terre, MO
(US); **Charles H. Miller**, Barnhart, MO
(US)

(73) Assignee: **Handi-Craft Company**, St. Louis, MO
(US)

(**) Term: **14 Years**

(21) Appl. No.: **29/343,399**

(22) Filed: **Sep. 11, 2009**

(51) **LOC (9) Cl.** **07-01**

(52) **U.S. Cl.** **D7/396.2; D7/396.1**

(58) **Field of Classification Search** **D7/396.2,**
D7/396.6, 396.1, 900, 510, 511; D9/453,
D9/454, 449; 220/792; 215/320, 235, 237
See application file for complete search history.

(56) **References Cited**

U.S. PATENT DOCUMENTS

3,294,293	A	12/1966	Johns	
3,337,098	A	8/1967	Johns	
4,441,640	A	4/1984	Lottick	
4,448,316	A	5/1984	Hiroshige	
4,684,032	A	8/1987	Tsay	
4,726,479	A	2/1988	Tsai	
4,852,762	A	8/1989	Chou-Sheng	
4,925,040	A	5/1990	Wang	
D315,103	S *	3/1991	Bennett	D9/447
5,065,909	A	11/1991	Pino et al.	
5,150,815	A	9/1992	Saklad	
5,188,283	A	2/1993	Gu	
5,203,468	A	4/1993	Hsu	
5,203,841	A	4/1993	Kitabayashi	
5,259,538	A	11/1993	Tardif	
5,265,757	A	11/1993	Wu	
5,273,172	A	12/1993	Rossbach et al.	
5,282,541	A	2/1994	Chen	
5,337,918	A	8/1994	Wang	

5,339,982	A	8/1994	Tardie	
5,346,081	A	9/1994	Lin	
5,361,934	A	11/1994	Spence, Jr.	
5,423,476	A	6/1995	Ferrer	
D364,071	S *	11/1995	Lynd	D7/510
5,465,866	A	11/1995	Belcastro	
5,477,994	A	12/1995	Feer et al.	
5,484,080	A	1/1996	Blasnik et al.	

(Continued)

FOREIGN PATENT DOCUMENTS

WO 2005097612 A1 10/2005

OTHER PUBLICATIONS

International Search Report & Written Opinion for PCT/US2010/048426, dated Oct. 25, 2010.

Primary Examiner — Cynthia Underwood

(74) *Attorney, Agent, or Firm* — Armstrong Teasdale, LLP

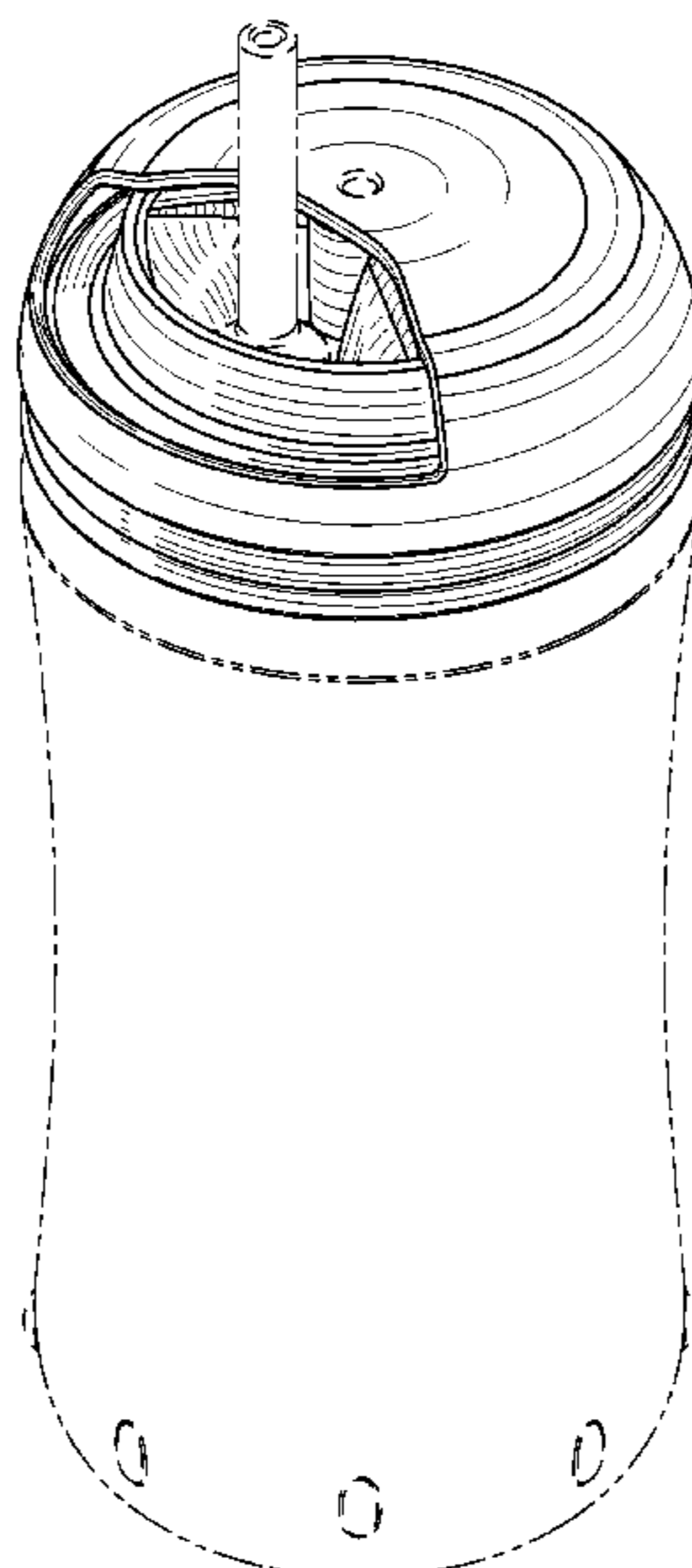
(57) **CLAIM**

The ornamental design for a lid assembly, as shown and described.

DESCRIPTION

FIG. 1 is a perspective of our new lid assembly secured to a container and having a straw assembly coupled thereto; FIG. 2 is a perspective of the lid assembly without the container and straw assembly; FIG. 3 is a top plan view thereof; FIG. 4 is a bottom plan view thereof; FIG. 5 is a front elevation thereof; FIG. 6 is a rear elevation thereof; FIG. 7 is a right side elevation thereof; and, FIG. 8 is a left side elevation thereof. The broken line cup and straw represent the item in its environment of use. All other broken lines illustrate portions of the structure. None of the broken lines form any part of the claim.

1 Claim, 8 Drawing Sheets



US D636,634 S

Page 2

U.S. PATENT DOCUMENTS

D366,809 S	2/1996	Green	6,494,332 B1	12/2002	Haughton et al.
D367,206 S	2/1996	Green	6,523,711 B1	2/2003	Hughes et al.
5,497,901 A	3/1996	Chen	6,550,631 B2	4/2003	Thompson
5,518,142 A	5/1996	Lin	6,595,822 B1	7/2003	Thai
5,518,143 A	5/1996	Iodice	6,609,624 B2	8/2003	Goto et al.
5,520,304 A	5/1996	Lin	6,619,518 B1	9/2003	Lee
D370,828 S	6/1996	Green	6,638,131 B1	10/2003	Thai
D371,048 S	6/1996	Green	6,745,949 B2	6/2004	Lee
D372,866 S *	8/1996	Ahern, Jr. D9/449	7,059,490 B2	6/2006	Son
5,579,948 A	12/1996	Lin	7,093,735 B2	8/2006	Stephens
5,582,320 A	12/1996	Lin	7,097,065 B2	8/2006	Yoneoka et al.
D382,170 S	8/1997	Green	7,124,907 B2	10/2006	Conaway
D384,584 S	10/1997	Kong	7,124,917 B2	10/2006	Lee
D406,006 S *	2/1999	Hatsumoto et al. D7/396.2	D547,607 S	7/2007	Forsman
5,884,793 A	3/1999	Wang	D548,008 S *	8/2007	Lin D7/511
D408,220 S	4/1999	Chomik	7,255,241 B2	8/2007	Yoneoka et al.
5,897,013 A	4/1999	Manganiello	7,371,004 B1 *	5/2008	Branson et al. 366/130
5,908,126 A	6/1999	Wang	7,392,916 B1	7/2008	Kuighadush
6,050,433 A	4/2000	Russell et al.	D604,565 S *	11/2009	Roth et al. D7/629
6,116,446 A	9/2000	Haughton et al.	D612,237 S *	3/2010	Richey D9/447
6,116,458 A *	9/2000	Dark 220/709	2004/0069783 A1	4/2004	Chen
6,196,413 B1	3/2001	Tung	2005/0029271 A1	2/2005	McDonough
D447,004 S	8/2001	Green	2005/0133519 A1	6/2005	McDonough
6,276,560 B1	8/2001	Belcastro	2006/0255036 A1	11/2006	Chau
6,279,773 B1	8/2001	Kiyota	2008/0099494 A1	5/2008	Boukais et al.
D448,971 S	10/2001	Hughes	2008/0128417 A1	6/2008	Smith et al.
6,375,019 B1	4/2002	Hirota et al.	2008/0142519 A1	6/2008	Chou
D457,384 S	5/2002	Randolph	2008/0237233 A1	10/2008	Choi et al.
RE37,773 E *	7/2002	Trombley D7/511	2008/0277020 A1	11/2008	Windmiller
6,427,928 B1	8/2002	Hirota et al.			

* cited by examiner

FIG. 1

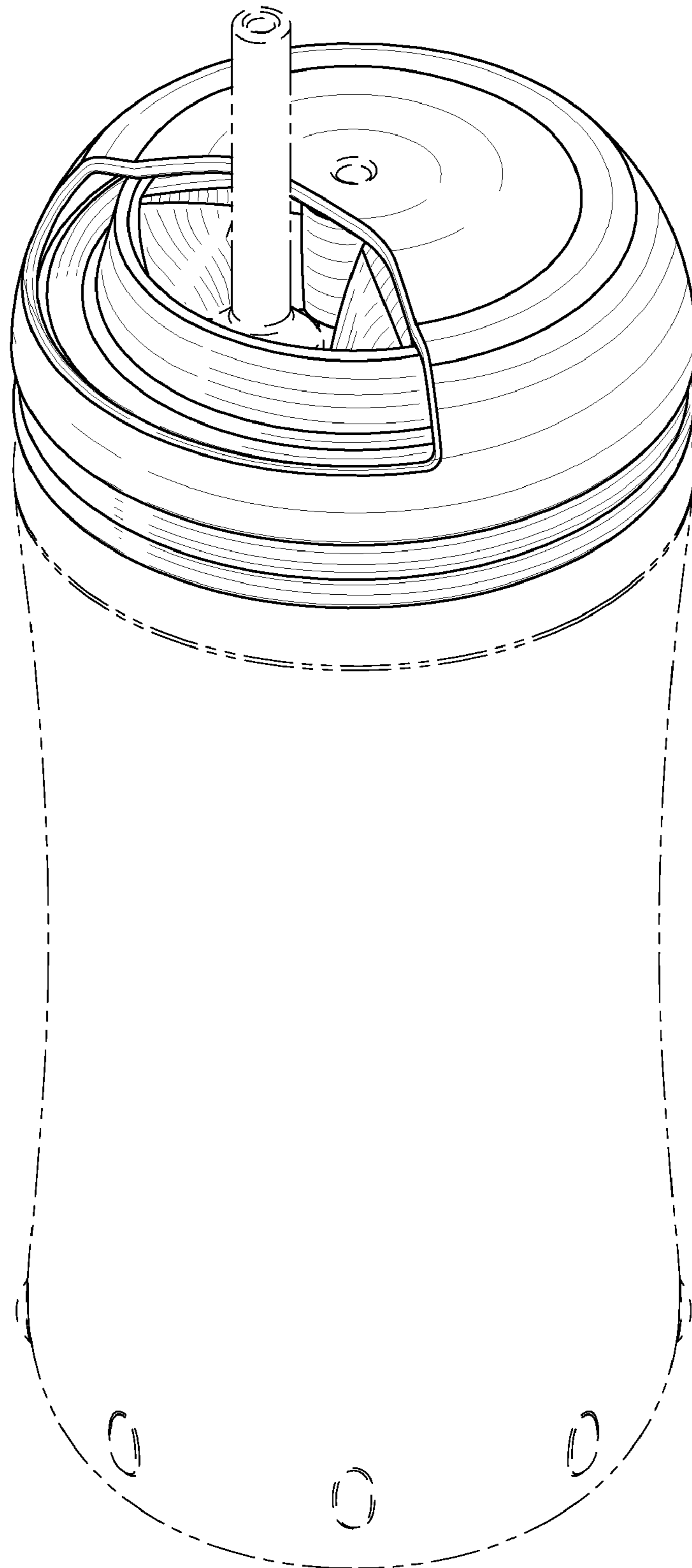


FIG. 2

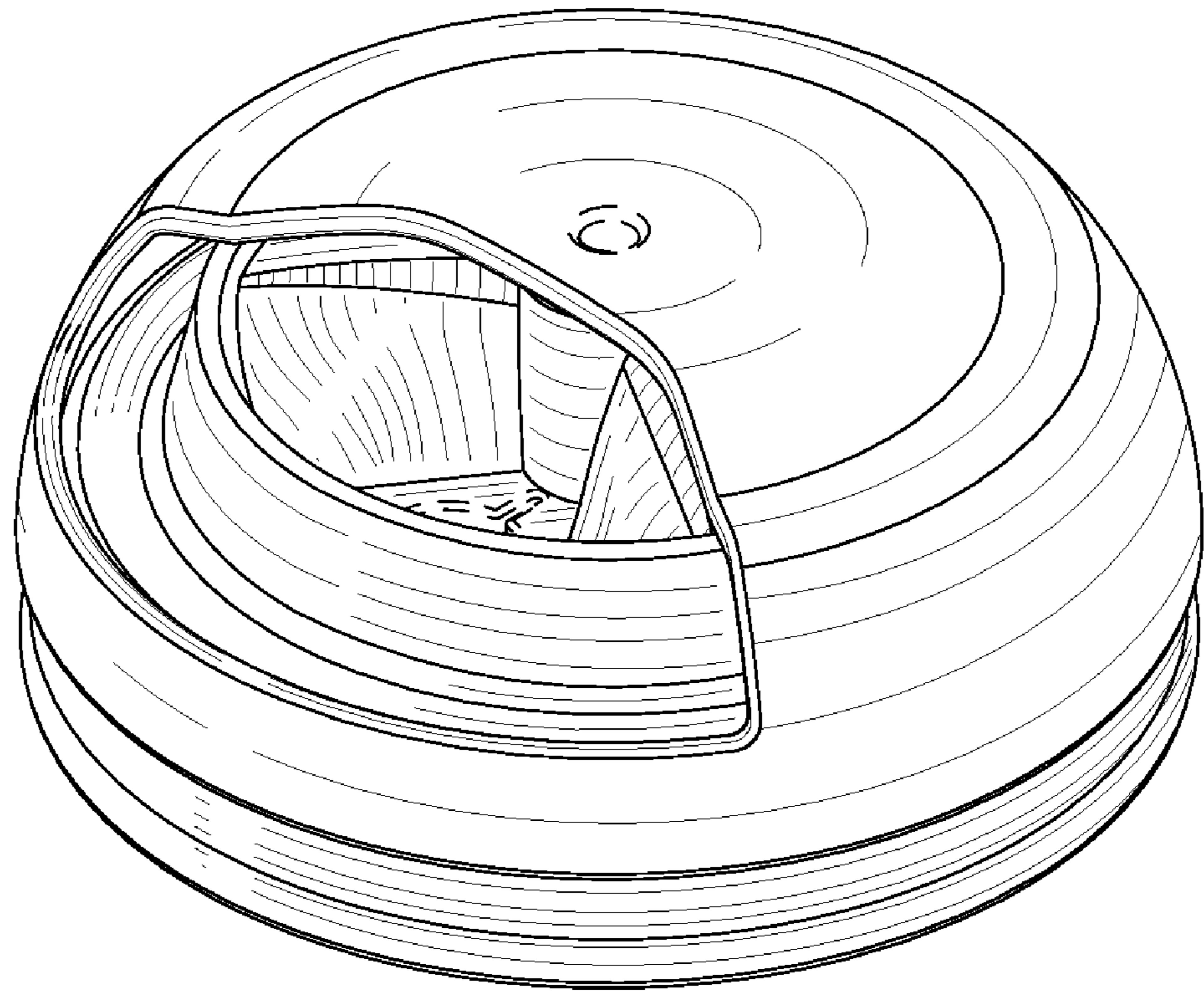


FIG. 3

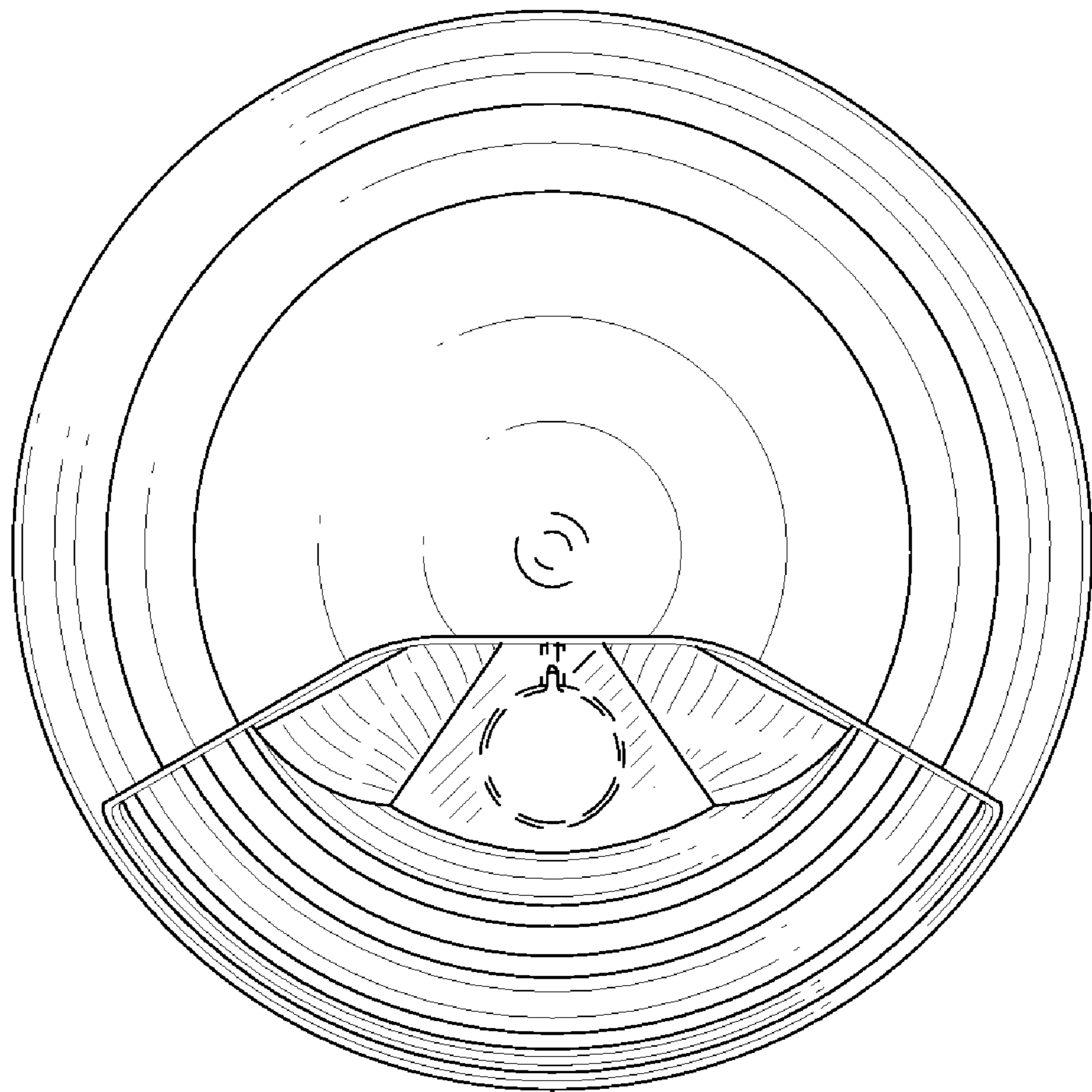


FIG. 4

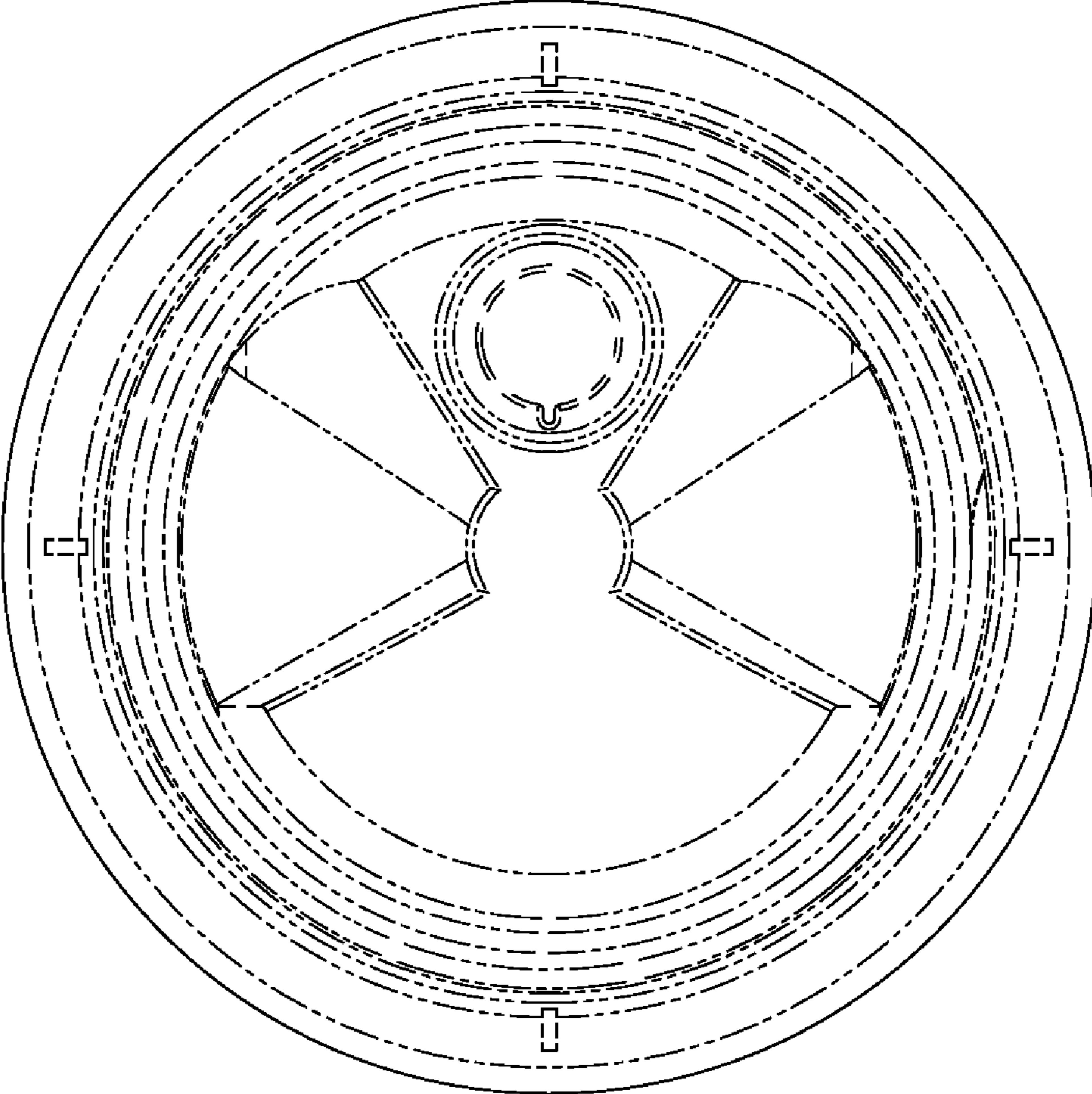


FIG. 5

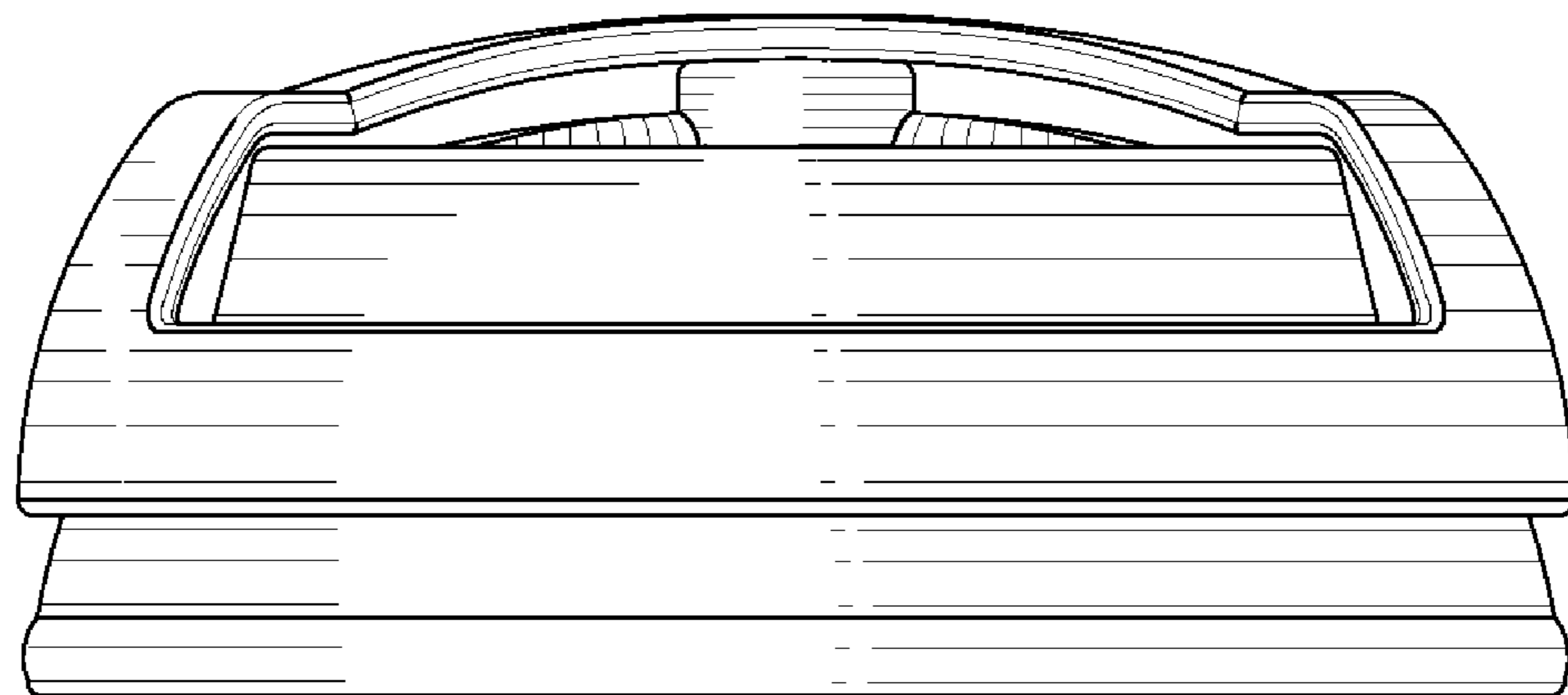


FIG. 6

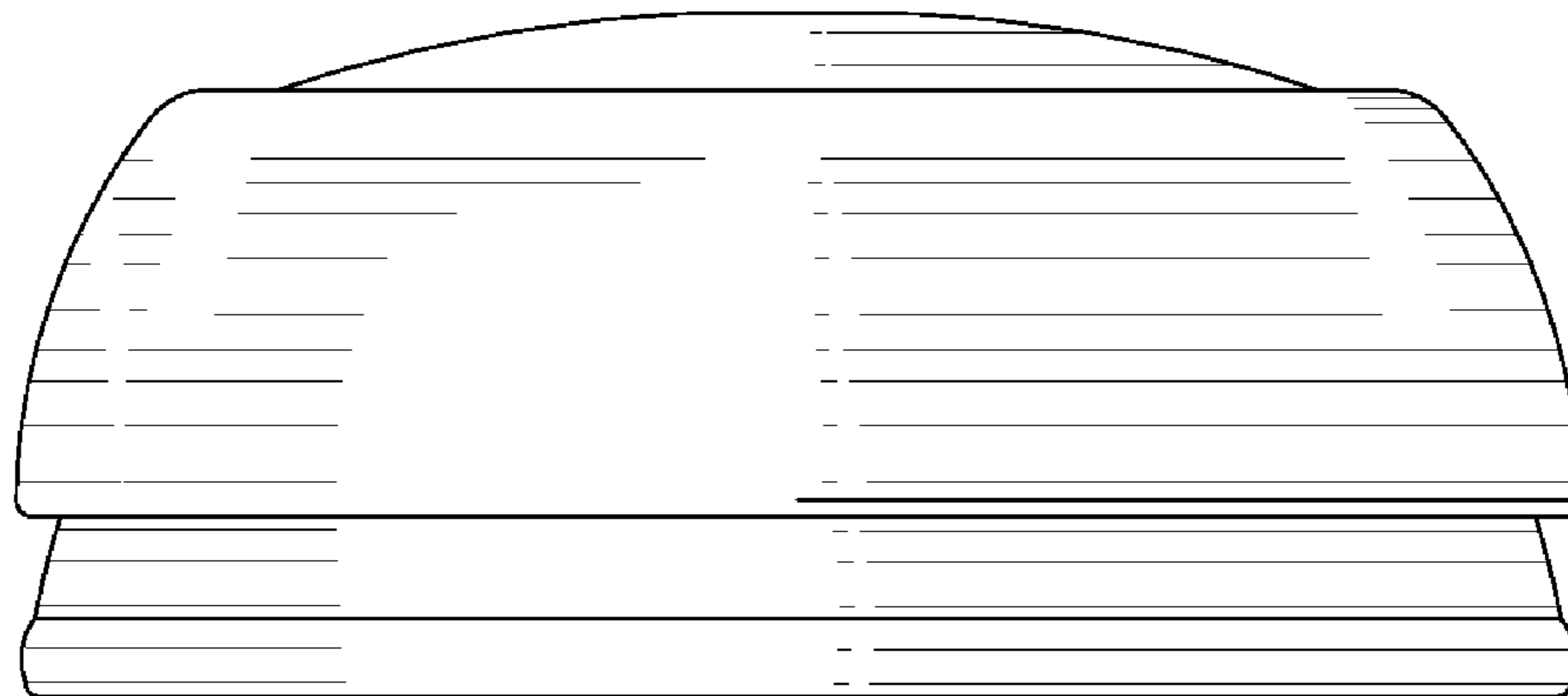


FIG. 7

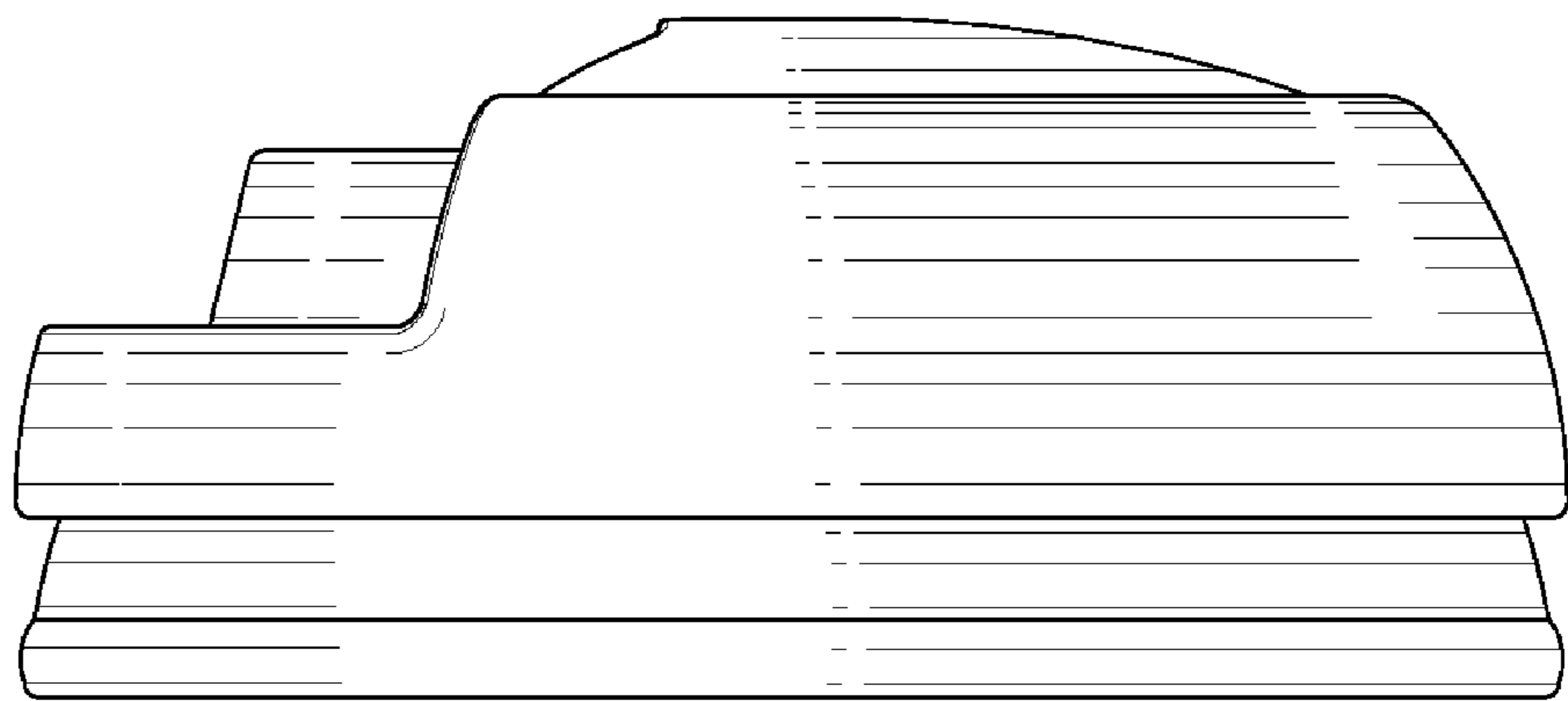


FIG. 8

