



US00D636630S

(12) **United States Design Patent**  
**Shingler**

(10) **Patent No.:** **US D636,630 S**

(45) **Date of Patent:** **\*\* Apr. 26, 2011**

(54) **ELECTRIC COOKING APPARATUS**

(75) Inventor: **Robert A. Shingler**, Beaverton, OR (US)

(73) Assignee: **Evo, Inc.**, Beaverton, OR (US)

(\*\*) Term: **14 Years**

(21) Appl. No.: **29/364,678**

(22) Filed: **Jun. 25, 2010**

(51) **LOC (9) Cl.** ..... **07-02**

(52) **U.S. Cl.** ..... **D7/367**

(58) **Field of Classification Search** ..... D7/323,  
D7/328-332, 334-341, 346, 350.1, 351-367,  
D7/402-403, 407; 99/324-328, 331, 339-340,  
99/349, 353, 369, 372-377, 385-389, 392,  
99/425, 444; 126/1 R, 9 R; 219/385-386,  
219/443.1, 452.11, 455.11, 533, 620-622,  
219/732-734

See application file for complete search history.

(56) **References Cited**

**U.S. PATENT DOCUMENTS**

1,855,887 A \* 4/1932 McCormick ..... 219/452.11  
1,959,198 A \* 5/1934 Conry ..... 126/9 R  
D97,530 S \* 11/1935 Knapp ..... D7/364  
D107,453 S \* 12/1937 Preston ..... D7/364  
2,866,071 A \* 12/1958 Ruhnke ..... 219/455.11  
D199,164 S \* 9/1964 Simpkins ..... D7/364

(Continued)

**FOREIGN PATENT DOCUMENTS**

EP 1 400 151 B1 10/2004

(Continued)

**OTHER PUBLICATIONS**

ISA U.S. Patent and Trademark Office, International Search Report of PCT/US2010/040103, Aug. 20, 2010, 3 pages.

*Primary Examiner* — Ricky Pham

(74) *Attorney, Agent, or Firm* — Alleman Hall McCoy Russell & Tuttle LLP

(57) **CLAIM**

The ornamental design for an electric cooking apparatus, as shown and described.

**DESCRIPTION**

FIG. 1 is a top right perspective view of an electric cooking apparatus according to the present invention.

FIG. 2 is a top view of the electric cooking apparatus of FIG. 1.

FIG. 3 is a front view of the electric cooking apparatus of FIG. 1.

FIG. 4 is a bottom view of the electric cooking apparatus of FIG. 1.

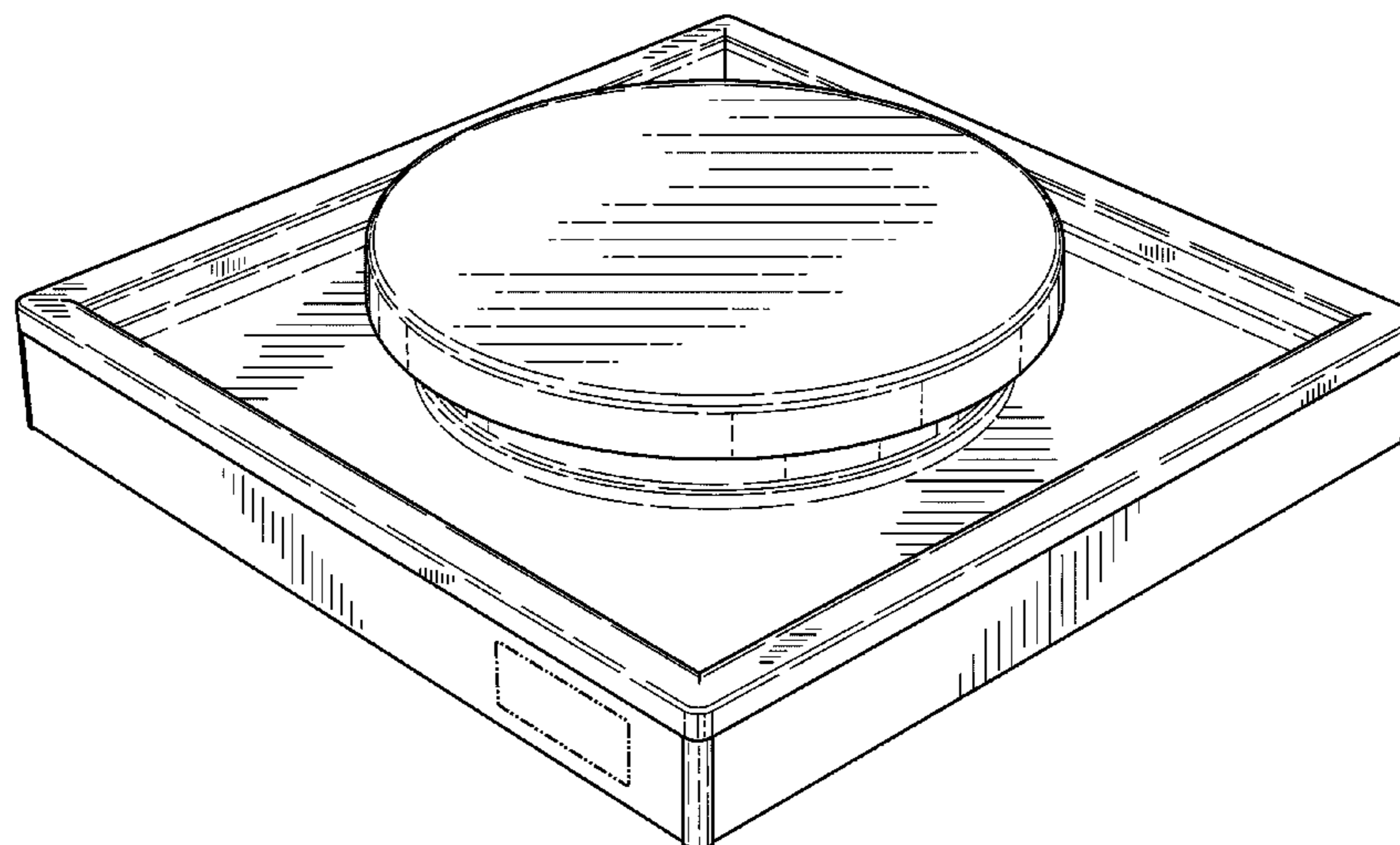
FIG. 5 is a rear view of the electric cooking apparatus of FIG. 1.

FIG. 6 is a cross-sectional view taken along line 6—6 of the electric cooking apparatus of FIG. 2; and,

FIG. 7 is a left side view of the electric cooking apparatus of FIG. 1.

The double-dot dashed lines in FIG. 1 illustrate an electrical control device, and form no part of the claimed design. The double-dot dashed lines in FIG. 3 illustrate an electrical control device and feet, and form no part of the claimed design. The double-dot dashed lines in FIG. 4 illustrate feet and ventilation openings, and form no part of the claimed design. The double-dot dashed lines in FIG. 5 illustrate feet, and form no part of the claimed design. The cross-sectional view presented in FIG. 6 illustrates the contour and configuration of the exterior surfaces, which are not apparent from the other exterior views, at cut line 6—6. The double-dot dashed lines in FIG. 6 delineate the boundary of the claimed design. The double-dot dashed lines in FIG. 7 illustrate feet, and form no part of the claimed design. The right side of the electrical cooking apparatus according to the present invention is a mirror image of the left side of the electrical cooking apparatus as illustrated in FIG. 7, for example, and is omitted.

**1 Claim, 3 Drawing Sheets**



# US D636,630 S

Page 2

## U.S. PATENT DOCUMENTS

D205,820 S \* 9/1966 Ryan ..... D7/364  
3,317,709 A 5/1967 Beasley  
D215,514 S \* 10/1969 Betzer ..... D7/363  
3,606,612 A 9/1971 Reid, Jr.  
3,798,759 A 3/1974 Gerds  
3,824,984 A 7/1974 Swanson et al.  
3,843,313 A 10/1974 Helgeson  
4,062,341 A 12/1977 Panzarella  
4,108,142 A 8/1978 Barson et al.  
4,206,341 A 6/1980 Leuschner et al.  
4,313,416 A 2/1982 Lau  
4,342,259 A 8/1982 Lee  
4,353,347 A 10/1982 Seed  
4,452,224 A 6/1984 Misumida  
4,452,587 A 6/1984 Laws et al.  
4,481,408 A 11/1984 Scheufler  
4,553,524 A 11/1985 Wheat et al.  
4,889,103 A 12/1989 Fraioli  
D305,290 S \* 1/1990 Springer ..... D7/367  
4,936,457 A 6/1990 Kicherer et al.  
4,957,039 A 9/1990 Reyes  
5,072,718 A 12/1991 Seal  
5,127,824 A 7/1992 Barker  
5,158,067 A 10/1992 Dutro et al.  
5,270,519 A 12/1993 Higgins

5,413,087 A 5/1995 Jean  
5,676,043 A 10/1997 Best  
6,150,636 A 11/2000 Bogdanski et al.  
D436,797 S \* 1/2001 Huang et al. .... D7/363  
6,189,530 B1 2/2001 Shingler  
6,252,204 B1 6/2001 Po-Hei  
6,369,366 B1 4/2002 Mullen  
6,384,387 B1 5/2002 Owens et al.  
6,488,022 B2 12/2002 Shingler  
6,529,686 B2 3/2003 Ramanan et al.  
D513,151 S \* 12/2005 Currie ..... D7/364  
7,001,627 B2 2/2006 Marson  
7,173,219 B2 2/2007 Okajima et al.  
D566,459 S \* 4/2008 Doo ..... D7/364  
7,825,353 B2 11/2010 Shingler  
2002/0033390 A1 \* 3/2002 Von Mosshaim ..... 219/452.11  
2005/0199136 A1 9/2005 Shingler  
2006/0201496 A1 9/2006 Shingler  
2007/0251456 A1 11/2007 Herchen et al.  
2007/0257021 A1 11/2007 Lockwood et al.

## FOREIGN PATENT DOCUMENTS

WO 01/65986 A1 9/2001  
WO 2007/044646 A2 4/2007

\* cited by examiner

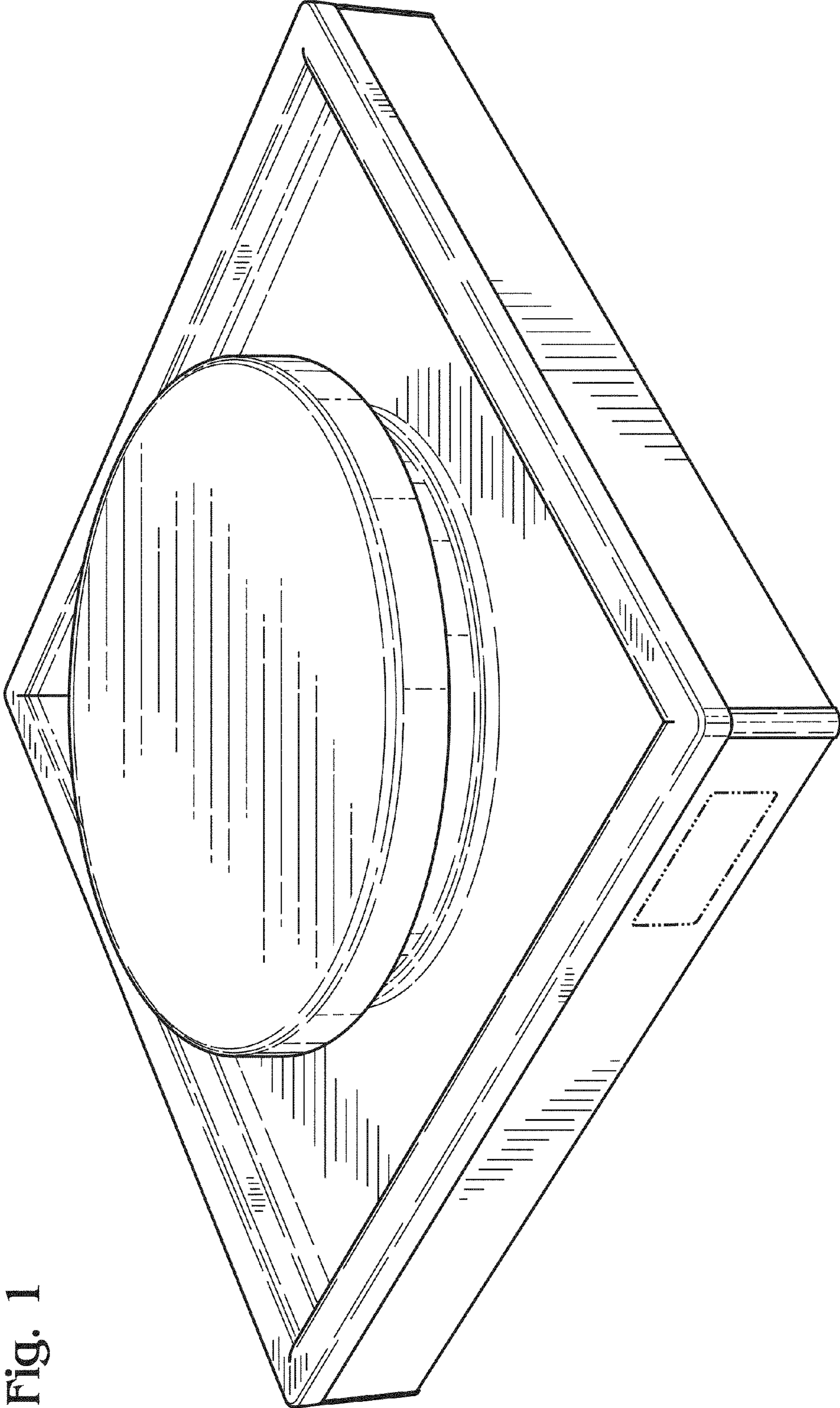


Fig. 1

Fig. 2

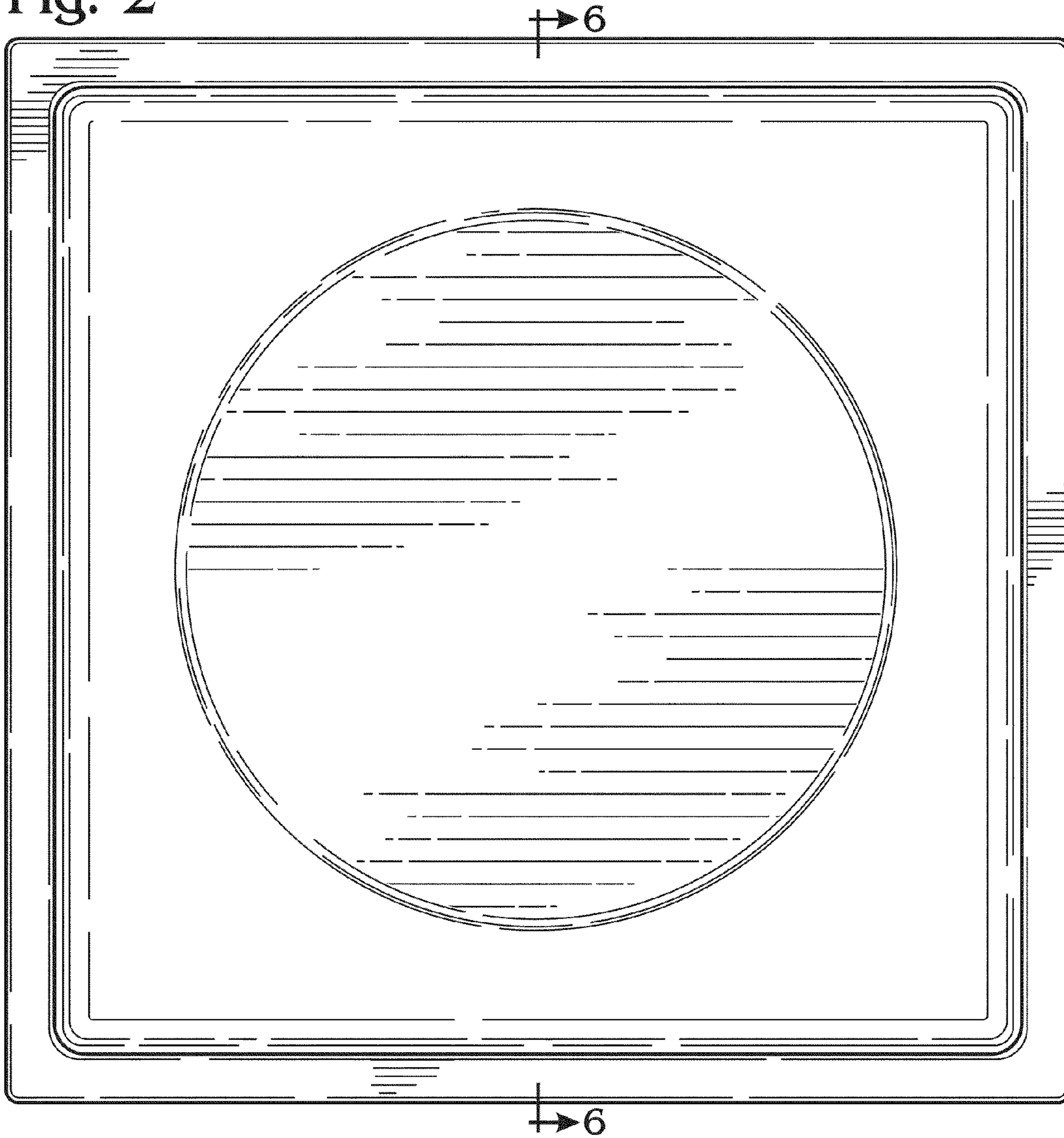


Fig. 3

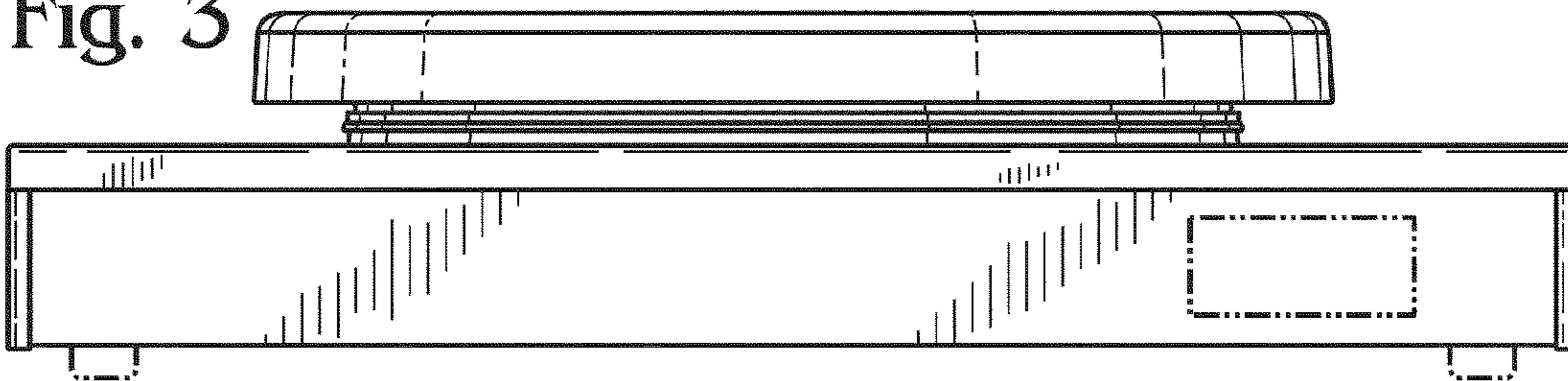


Fig. 6



Fig. 4

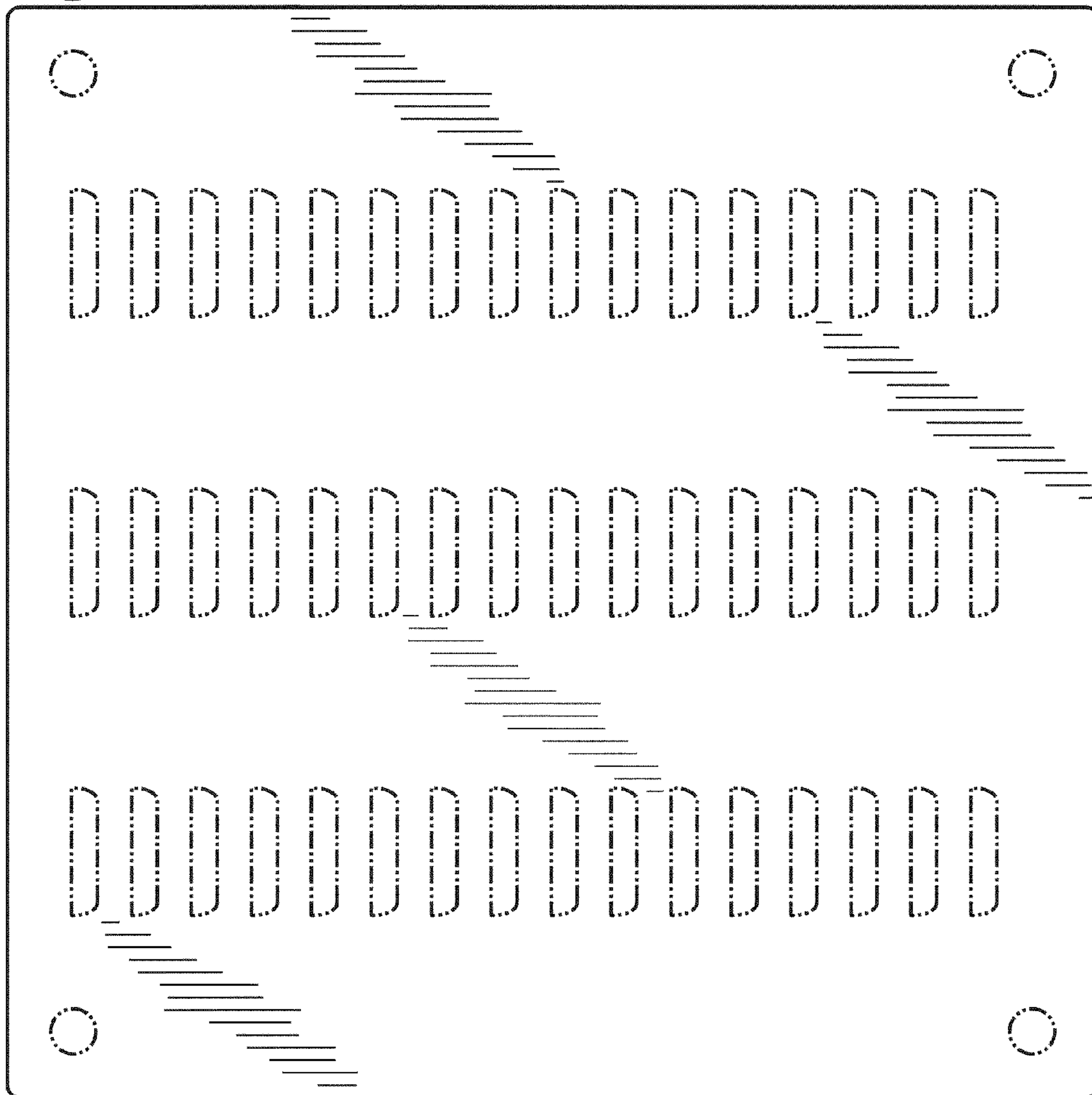


Fig. 5

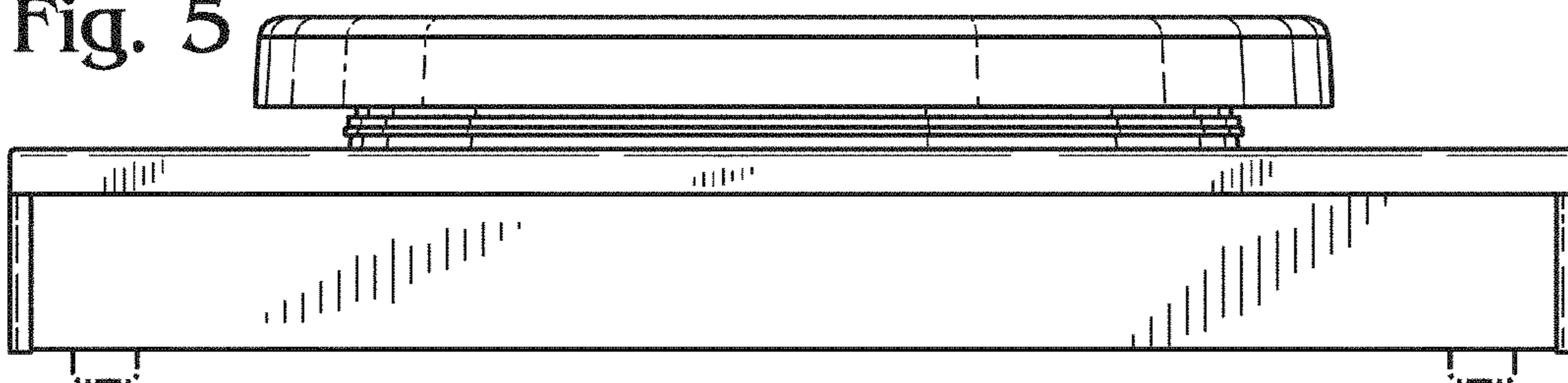


Fig. 7

