



US00D636628S

(12) **United States Design Patent**
Chung

(10) **Patent No.:** **US D636,628 S**

(45) **Date of Patent:** **** Apr. 26, 2011**

(54) **BARBECUE GRILL**

(76) Inventor: **Kiosky Chung**, Taichung (TW)

(**) Term: **14 Years**

(21) Appl. No.: **29/346,313**

(22) Filed: **Oct. 29, 2009**

(51) **LOC (9) Cl.** **07-02**

(52) **U.S. Cl.** **D7/334**

(58) **Field of Classification Search** D7/332,
D7/334-336, 402-404, 408; 126/25 R, 25 A,
126/25 AA, 41 R, 29-30, 9 R, 9 B, 38, 37 R,
126/40, 50; 99/359, 344, 446-449, 473,
99/481-482, 419, 421 HV, 421 R, 421 H
See application file for complete search history.

(56) **References Cited**

U.S. PATENT DOCUMENTS

D460,312 S *	7/2002	Fry et al.	D7/334
D486,688 S *	2/2004	Chan et al.	D7/334
D517,365 S *	3/2006	Huang	D7/332
D517,368 S *	3/2006	Nipke	D7/403
D536,567 S *	2/2007	May et al.	D7/334

D547,593 S *	7/2007	May	D7/334
D550,023 S *	9/2007	Chung	D7/334
D560,415 S *	1/2008	Wood et al.	D7/334
D562,619 S *	2/2008	Henley et al.	D7/334
D572,072 S *	7/2008	Chung	D7/334
D572,519 S *	7/2008	Thomas	D7/334
D608,580 S *	1/2010	Pai	D7/334
D614,435 S *	4/2010	Lin	D7/334

* cited by examiner

Primary Examiner — Ruth McInroy

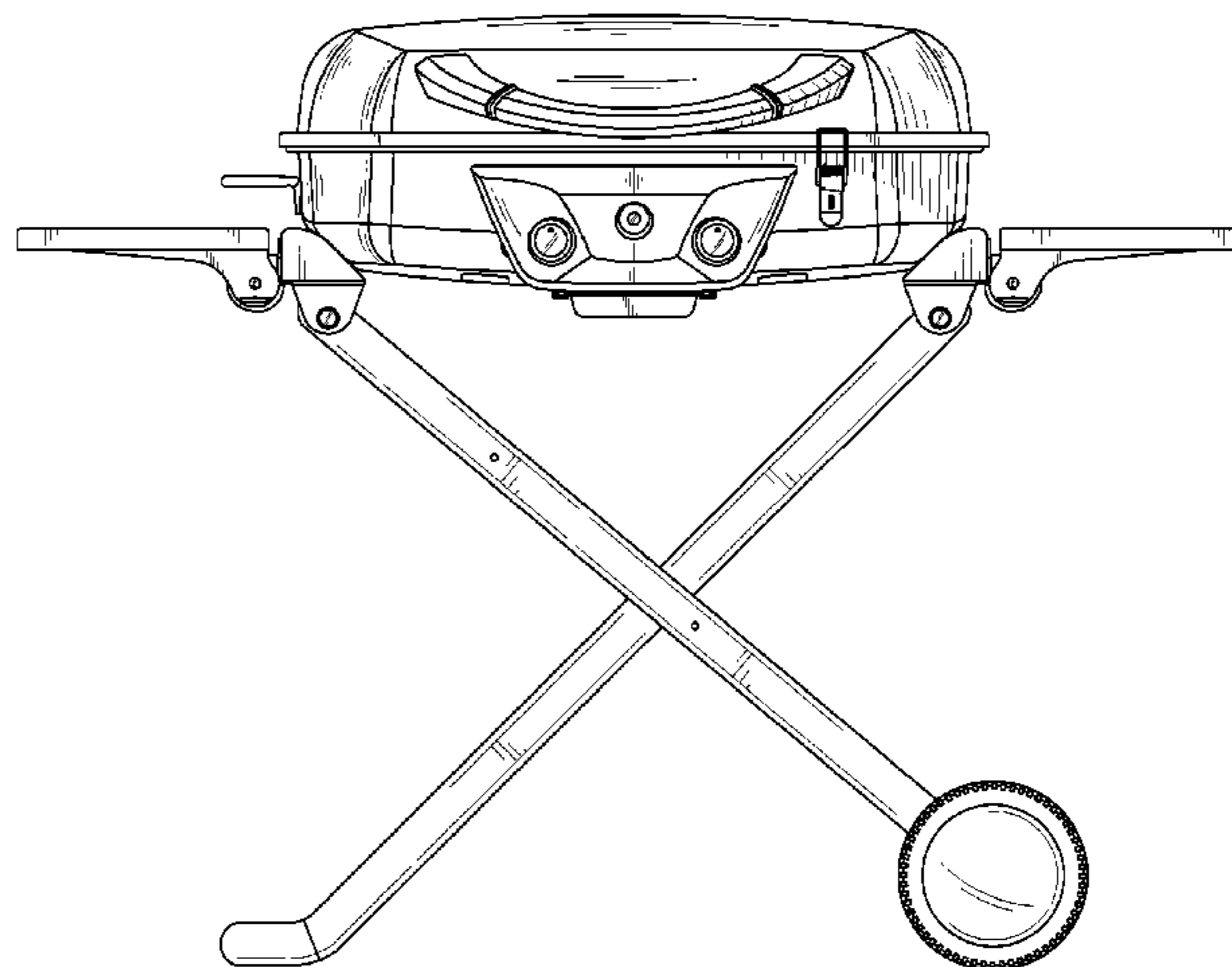
(57) **CLAIM**

I claim the ornamental design for a barbecue grill, as shown and described.

DESCRIPTION

FIG. 1 is a perspective view of a barbecue grill, showing my new design;
FIG. 2 is a front elevational view thereof;
FIG. 3 is a rear elevational view thereof;
FIG. 4 is a left side elevational view thereof;
FIG. 5 is a right side elevational view thereof;
FIG. 6 is a top plan view thereof; and,
FIG. 7 is a bottom plan view thereof.

1 Claim, 7 Drawing Sheets



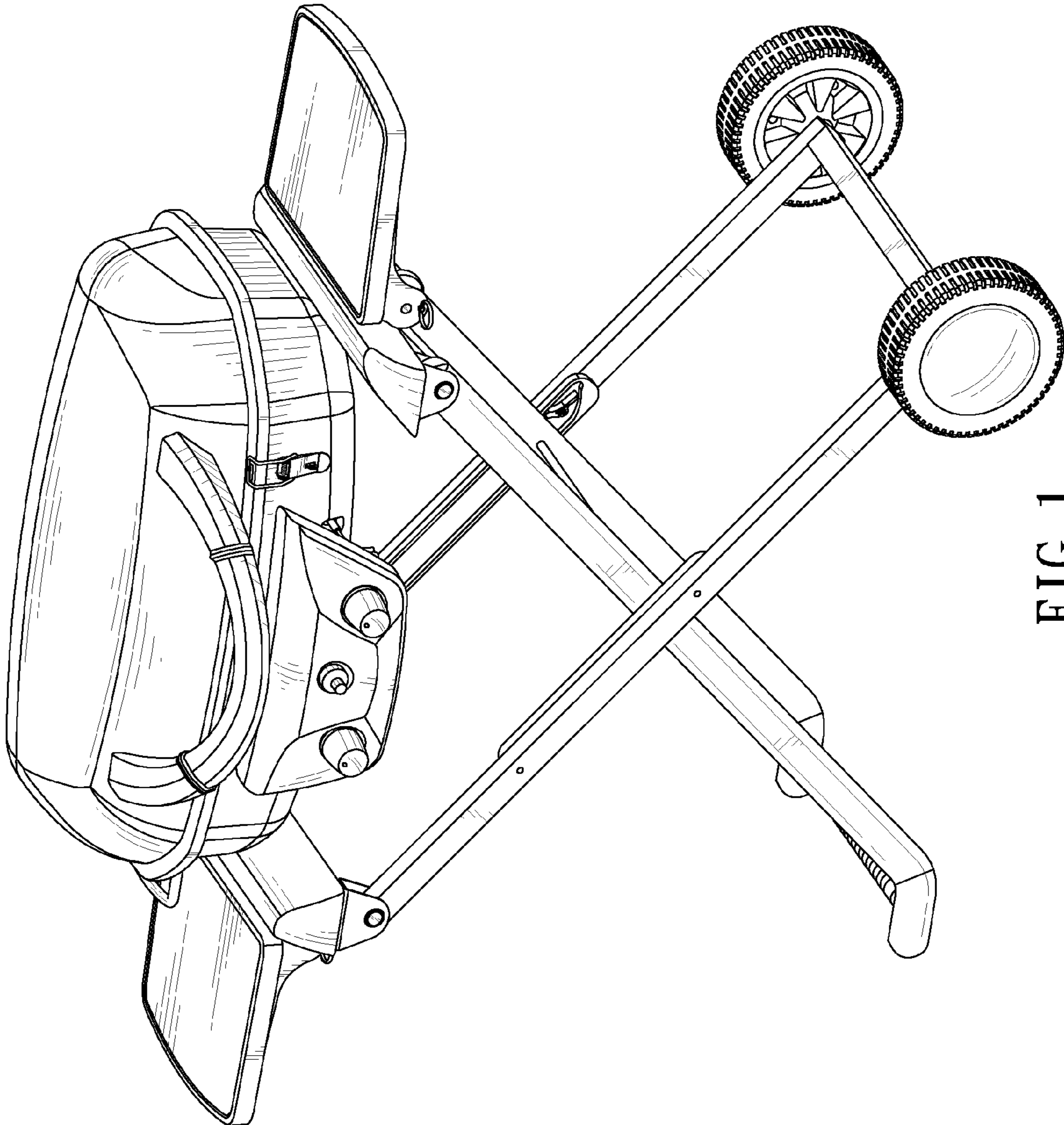


FIG. 1

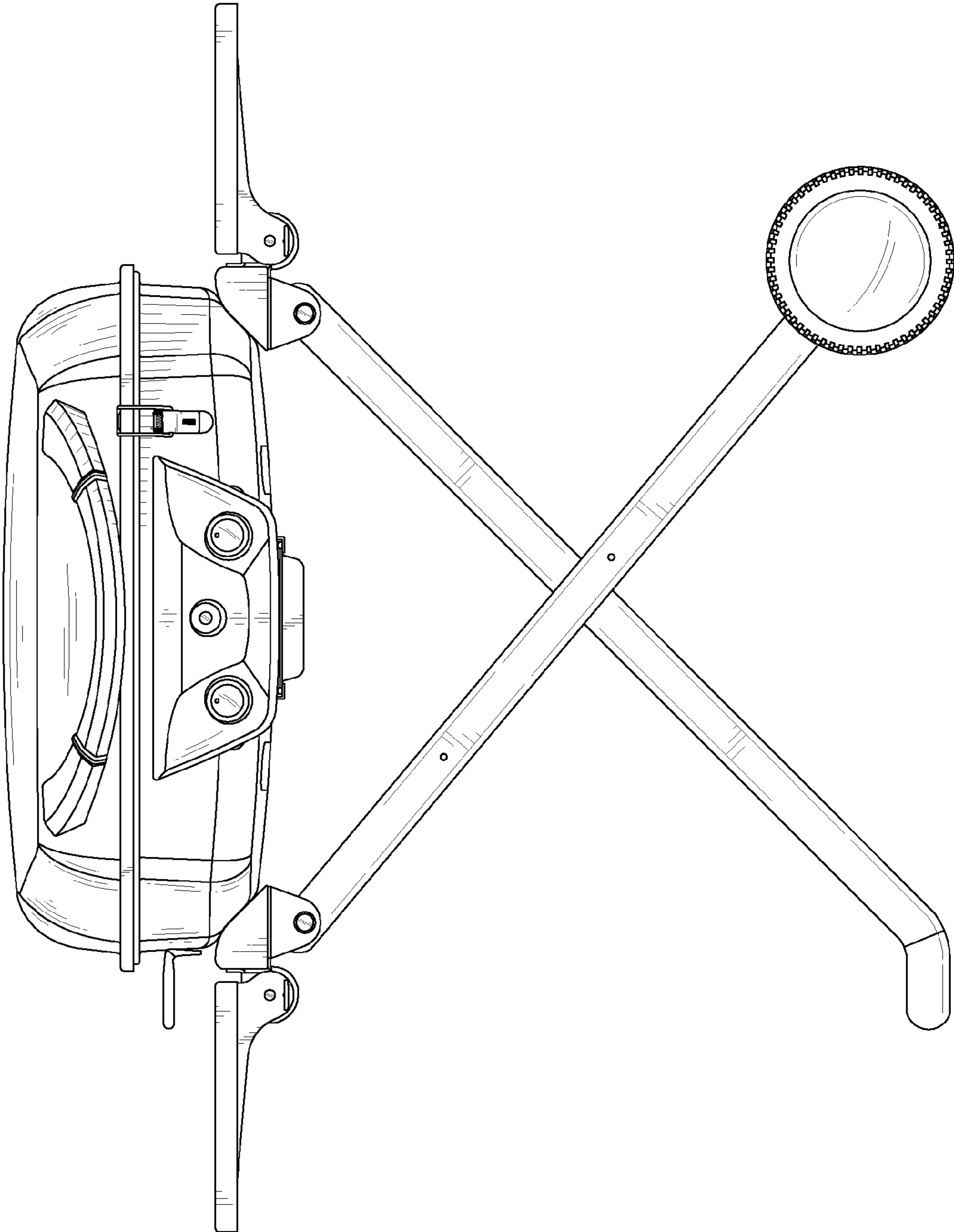


FIG. 2

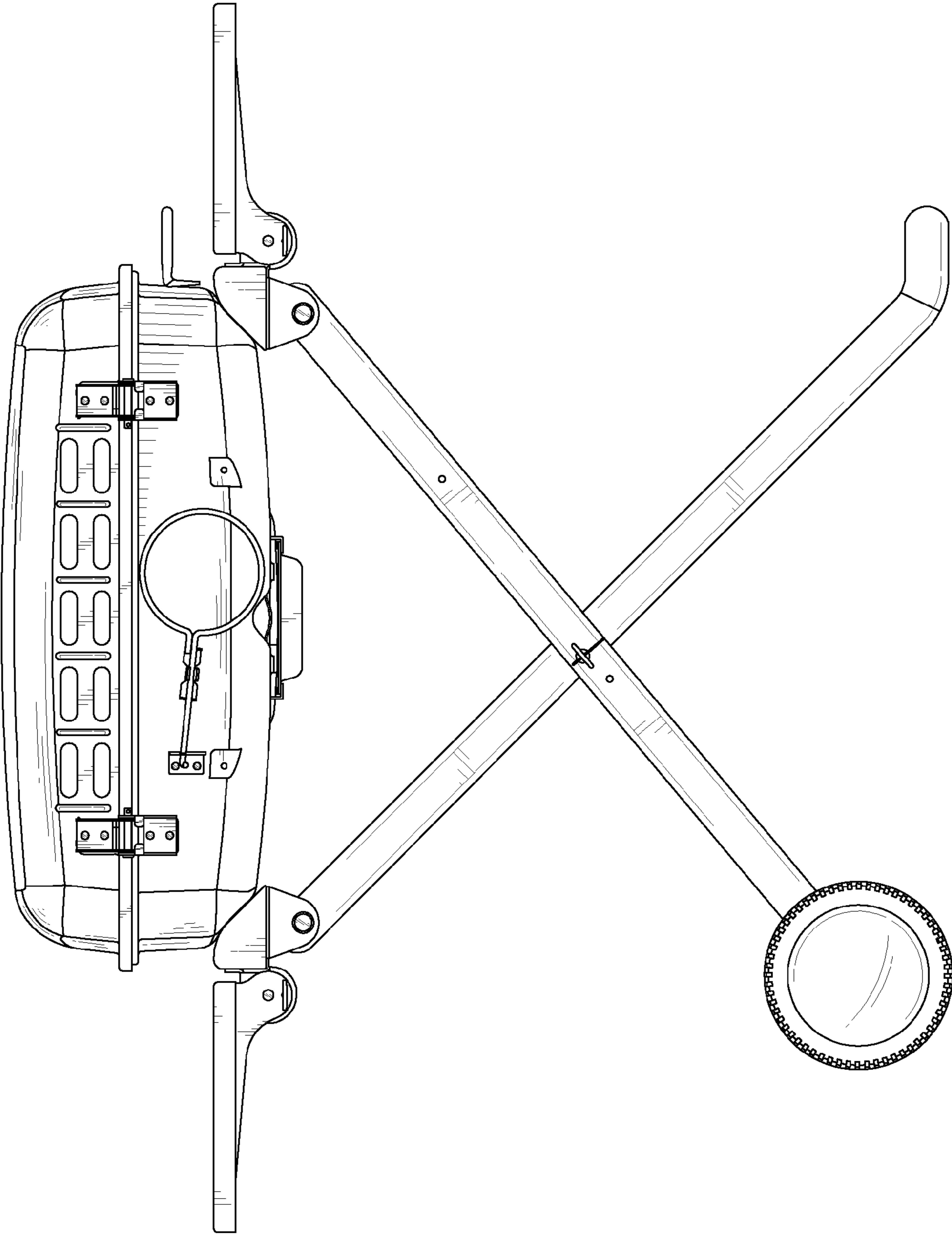


FIG. 3

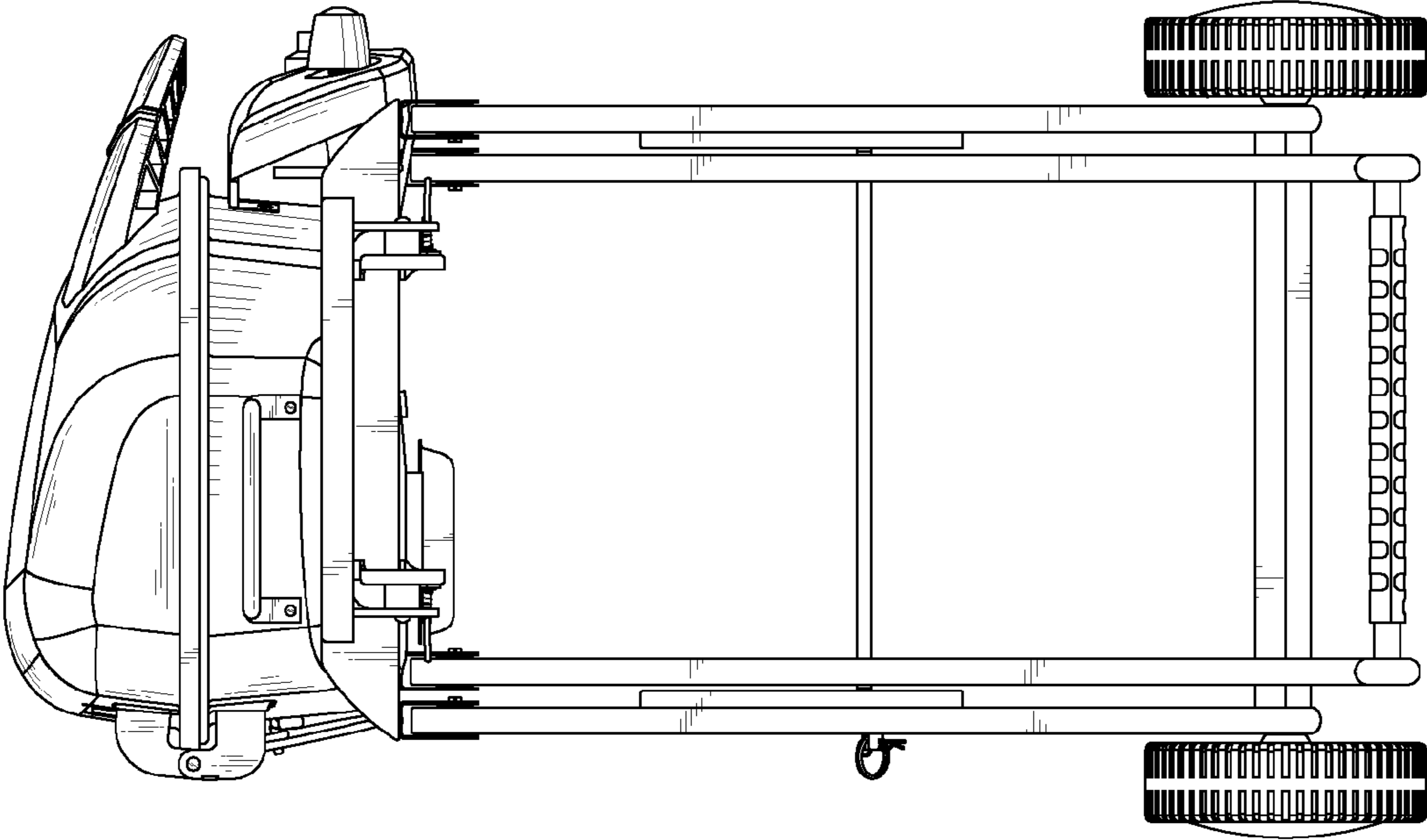


FIG. 4

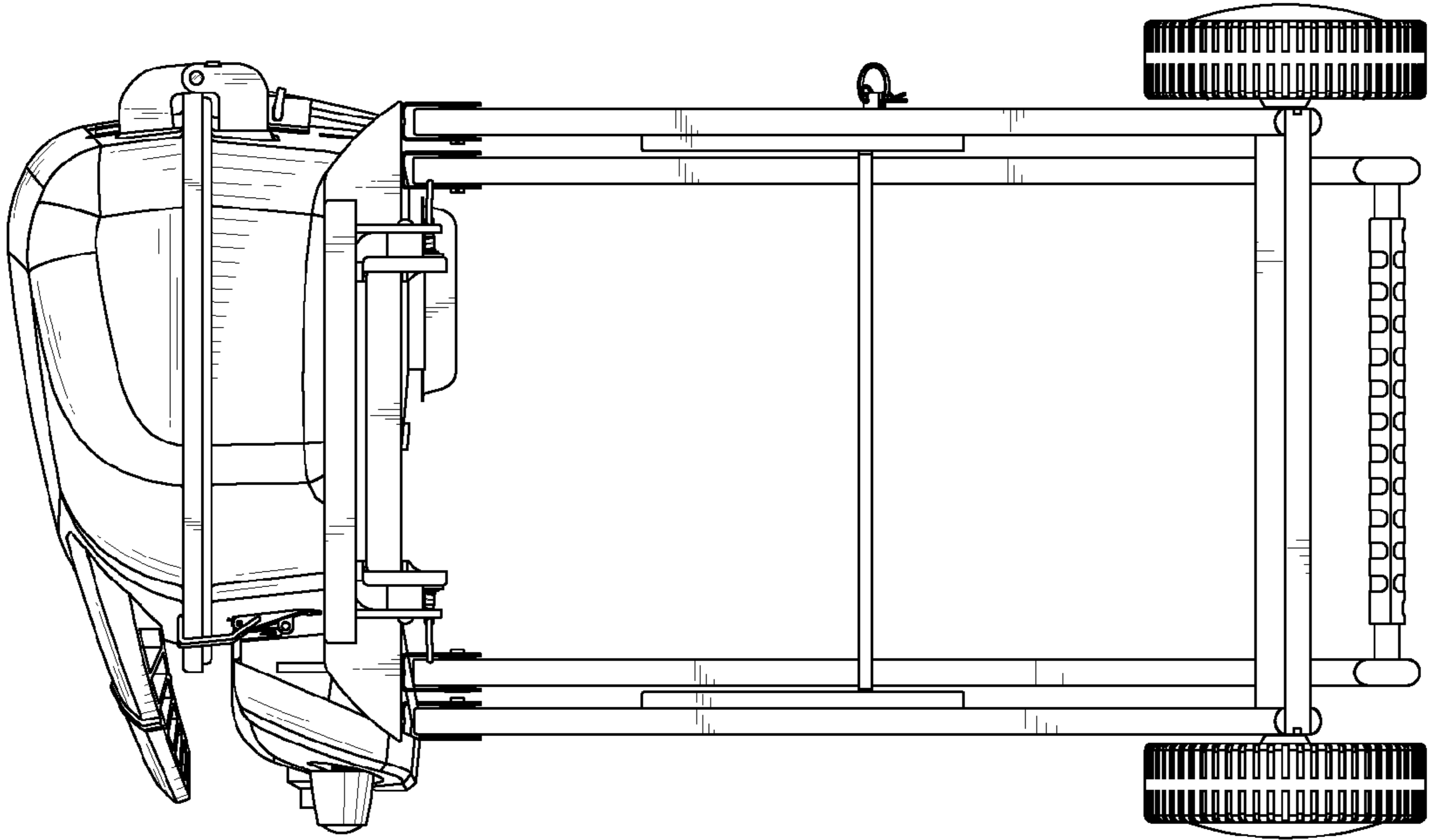


FIG. 5

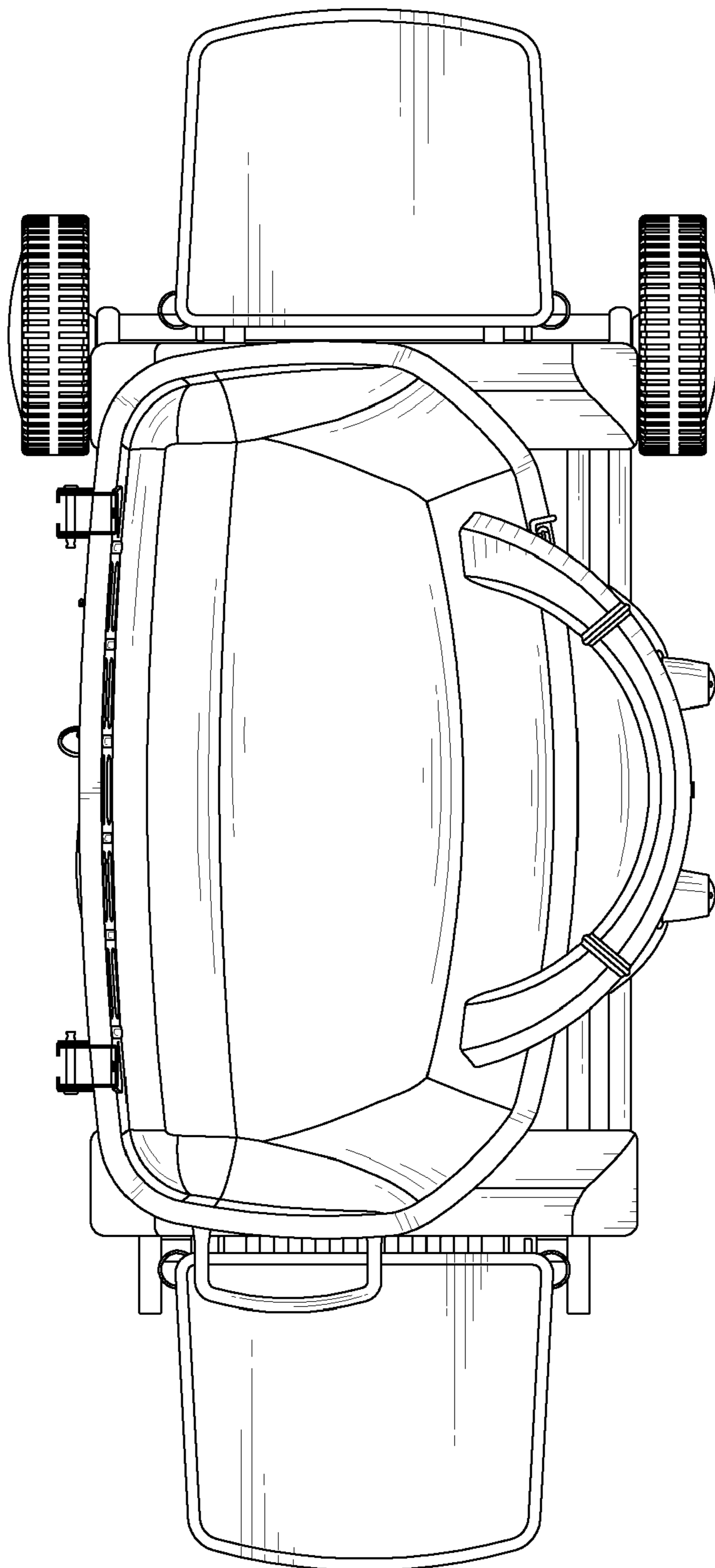


FIG. 6

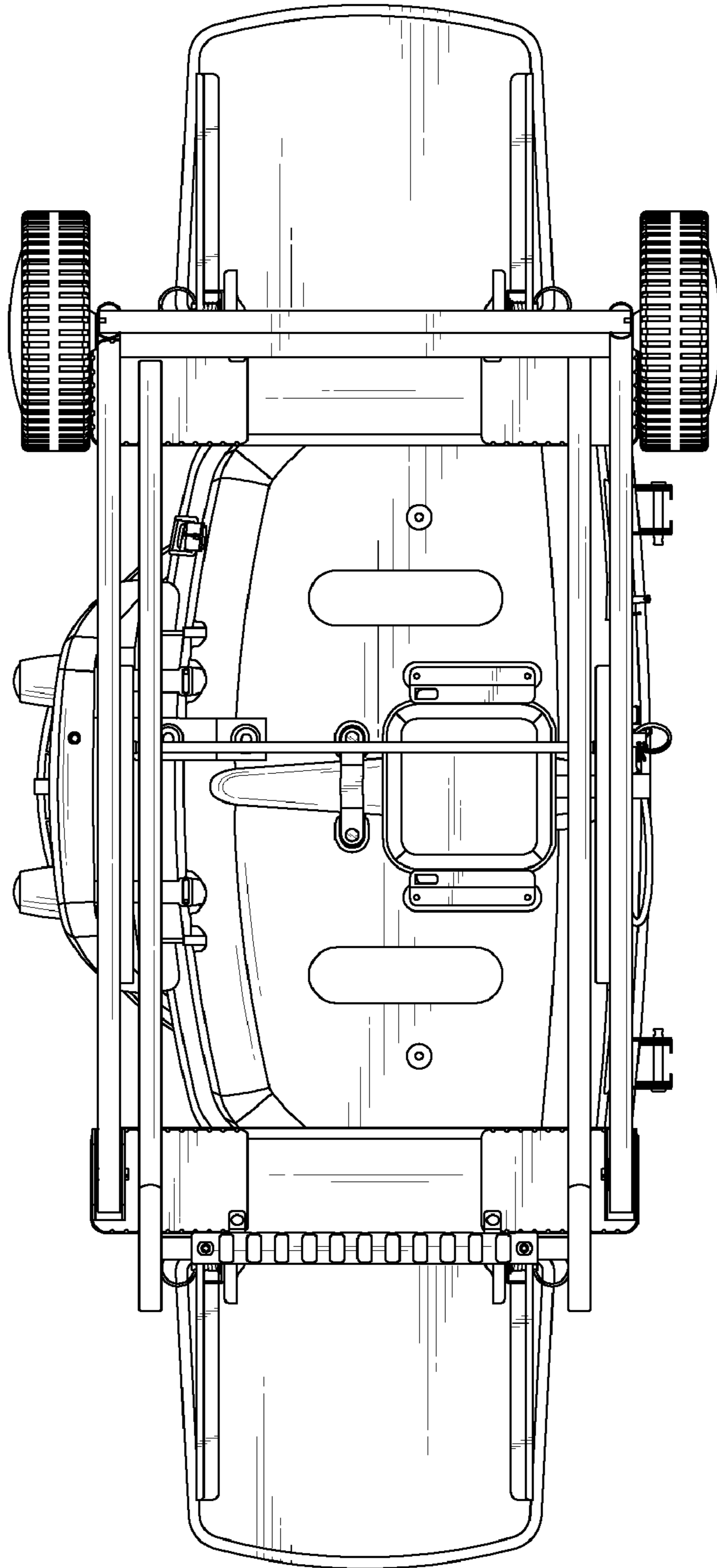


FIG. 7