



US00D636626S

(12) **United States Design Patent**
Bandixen et al.

(10) **Patent No.:** **US D636,626 S**

(45) **Date of Patent:** **** *Apr. 26, 2011**

(54) **CARAFE**
(75) Inventors: **Mark W. Bandixen**, Rochester, IL (US);
Kurt Ingram, Springfield, IL (US)
(73) Assignee: **Bunn-O-Matic Corporation**,
Springfield, IL (US)
(**) Term: **14 Years**

4,860,906 A * 8/1989 Pellegrini et al. 215/12.2
D315,452 S * 3/1991 Bunn et al. D7/318
5,025,939 A 6/1991 Bunn et al.
5,111,975 A * 5/1992 Roberts 222/475.1
D335,793 S * 5/1993 Fonville et al. D7/318
5,224,634 A 7/1993 Graham
D339,712 S 9/1993 Bunn et al.
D341,985 S 12/1993 Bunn et al.
6,085,946 A * 7/2000 Hirsch et al. 222/475.1
D480,254 S * 10/2003 Hirose D7/318
D480,593 S 10/2003 Nybakke

(21) Appl. No.: **29/345,206**

(22) Filed: **Oct. 12, 2009**

(51) **LOC (9) Cl.** **07-01**

(52) **U.S. Cl.** **D7/318; D7/316**

(58) **Field of Classification Search** D7/300,
D7/598, 600, 316-319, 305, 322, 321, 312;
99/323.3, 295; 222/129.1, 146.6, 465.1,
222/475.1; 215/12.1, DIG. 6, 398; 220/DIG. 14
See application file for complete search history.

(56) **References Cited**

U.S. PATENT DOCUMENTS

D175,086 S * 7/1955 Mango D7/318
2,993,629 A * 7/1961 Ruhnke 222/475.1
D192,528 S * 4/1962 Wright D7/317
3,145,708 A * 8/1964 Fischer 126/390.1
3,154,227 A * 10/1964 Anderson et al. 222/475.1
3,330,449 A * 7/1967 Bloomfield et al. 222/475
3,400,865 A * 9/1968 Hester 222/475
3,800,988 A * 4/1974 Karlen et al. 222/475.1
4,090,648 A 5/1978 Roberts
4,140,252 A * 2/1979 Karlen 222/475.1
D259,613 S * 6/1981 Sun D7/318
4,838,463 A 6/1989 Roberts
4,858,787 A * 8/1989 Stone 222/188

OTHER PUBLICATIONS

Wilbur Curtis, "Crystalline Coffee Bowls," www.wilburcurtis.com
(Aug. 2001).

* cited by examiner

Primary Examiner — Marianne Pandozzi

(74) *Attorney, Agent, or Firm* — Barnes & Thornburg LLP

(57) **CLAIM**

The ornamental design for a carafe, as shown and described.

DESCRIPTION

FIG. 1 is a perspective view of a carafe showing our new design;
FIG. 2 is a front elevational view thereof; the rear elevational view being a mirror image thereof;
FIG. 3 is a right side elevational view of thereof;
FIG. 4 is a left side elevational view thereof;
FIG. 5 is a top view thereof; and,
FIG. 6 is a bottom view thereof.

1 Claim, 6 Drawing Sheets





FIG. 1



FIG. 2

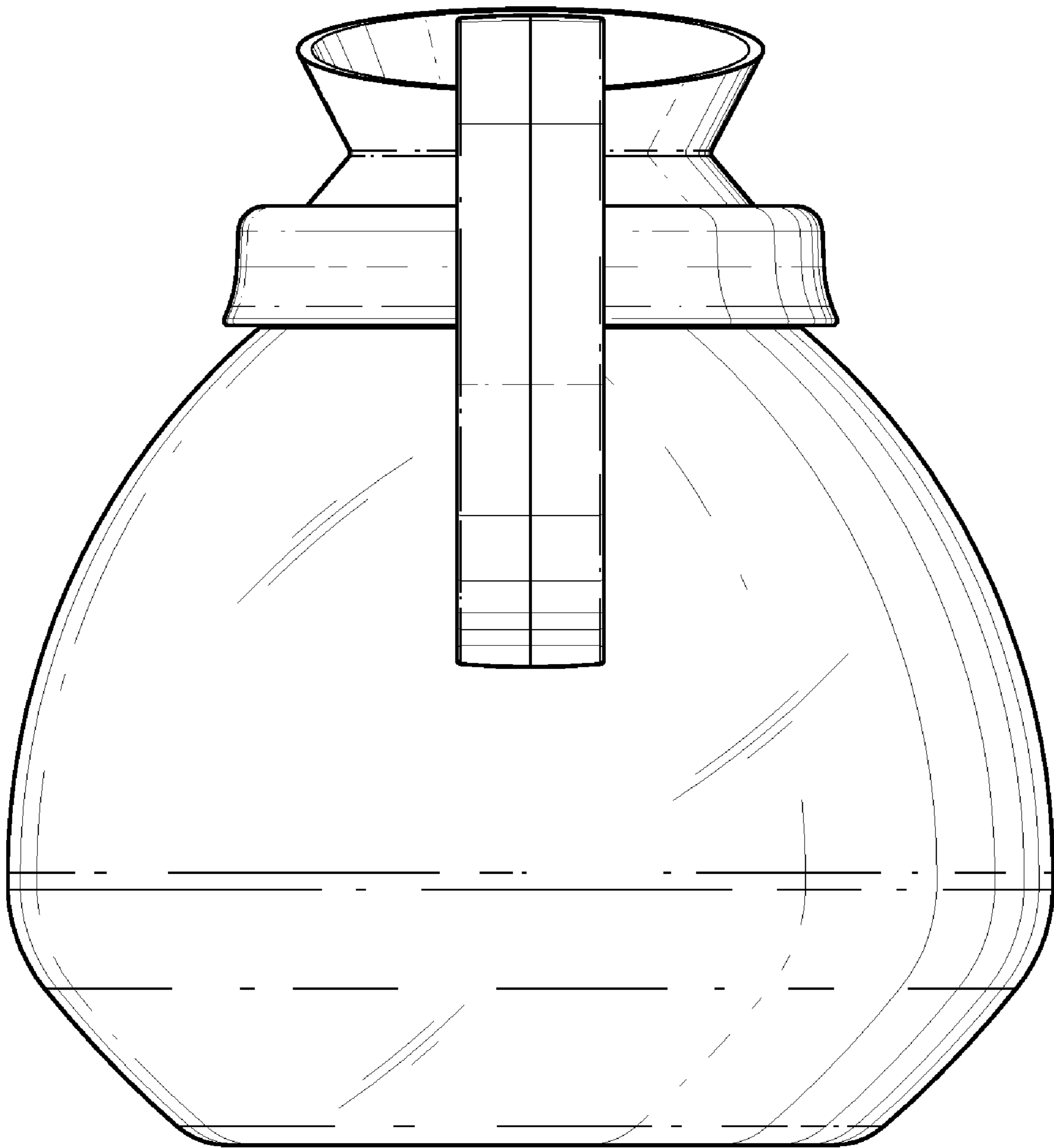


FIG. 3

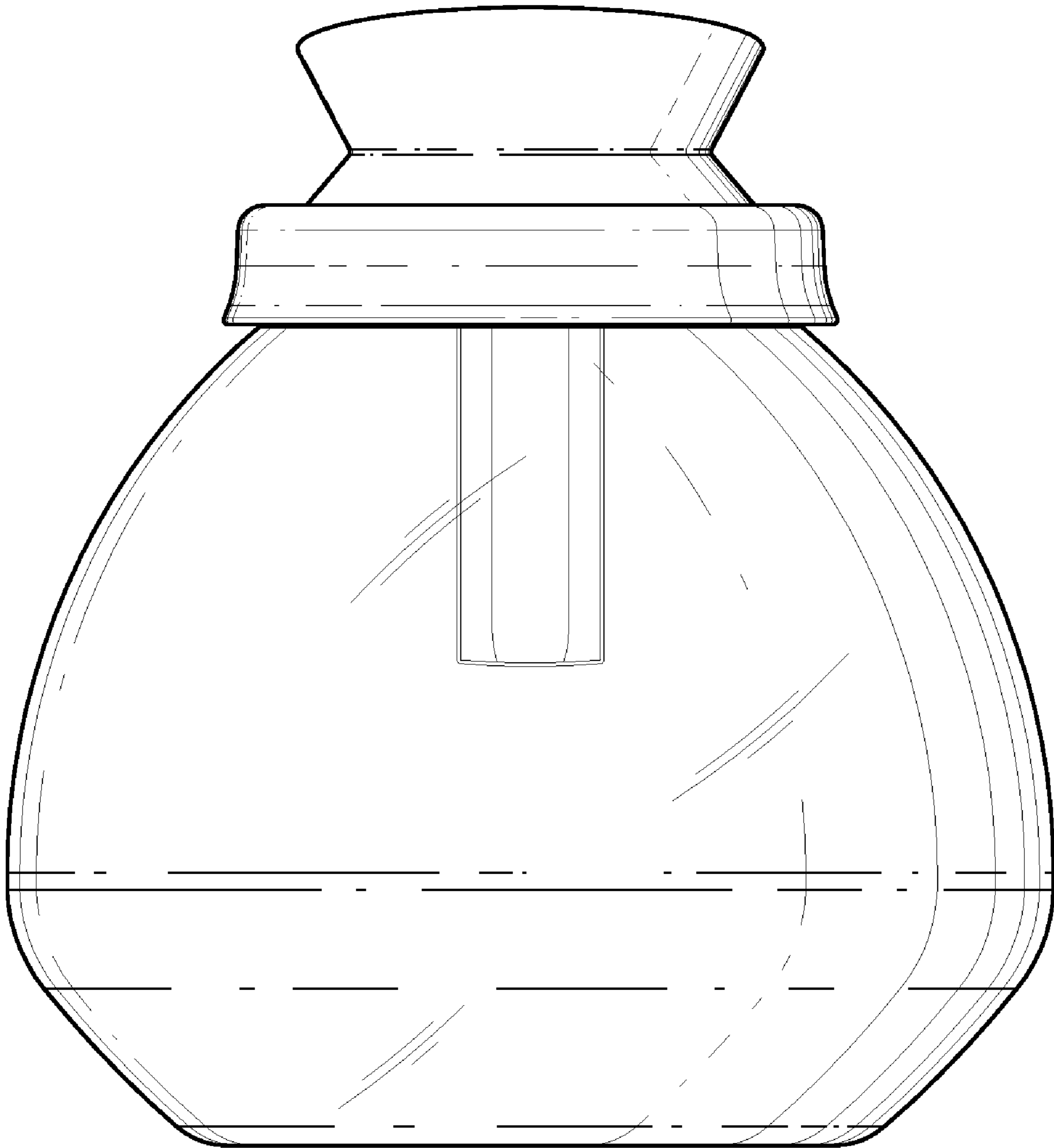


FIG. 4

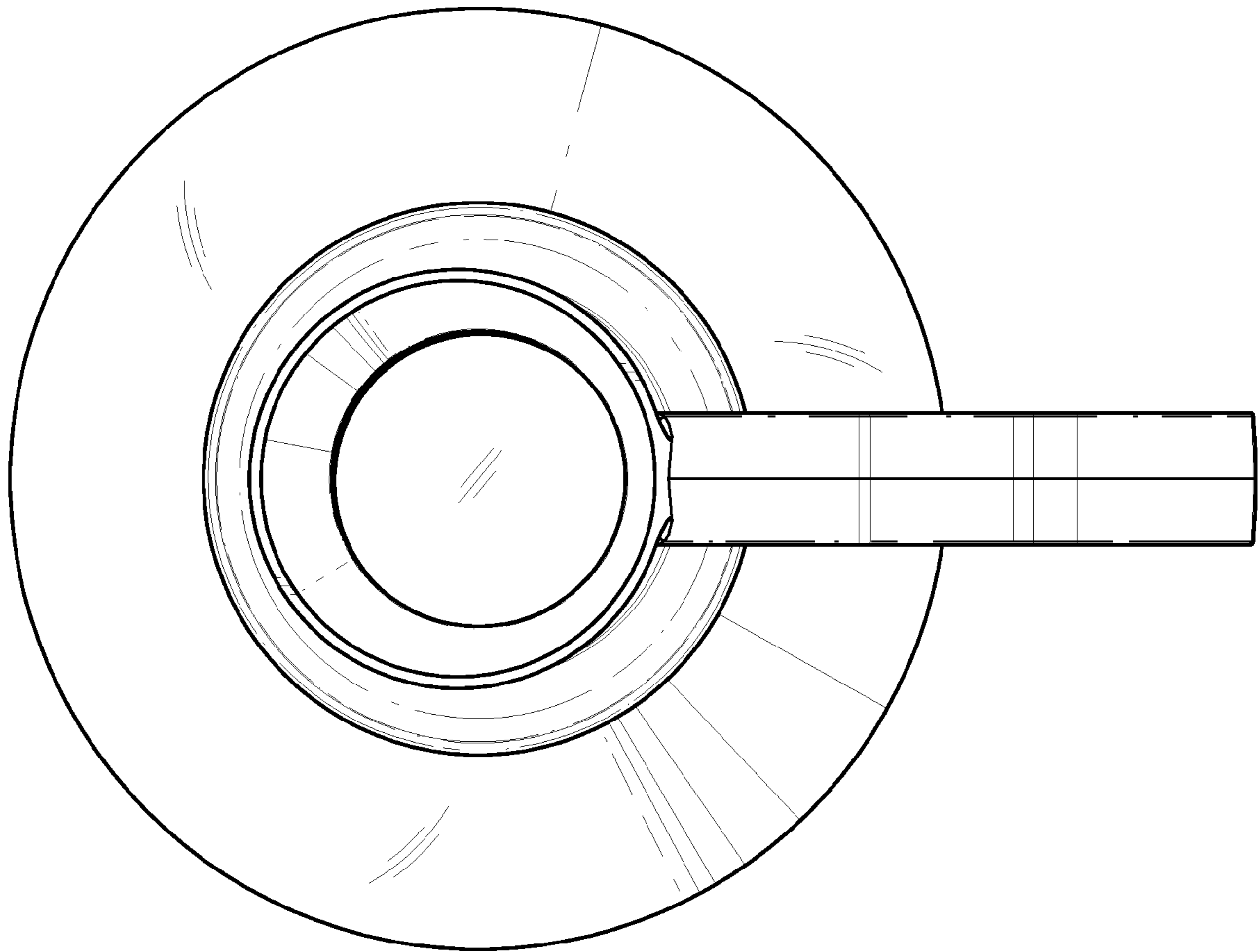


FIG. 5

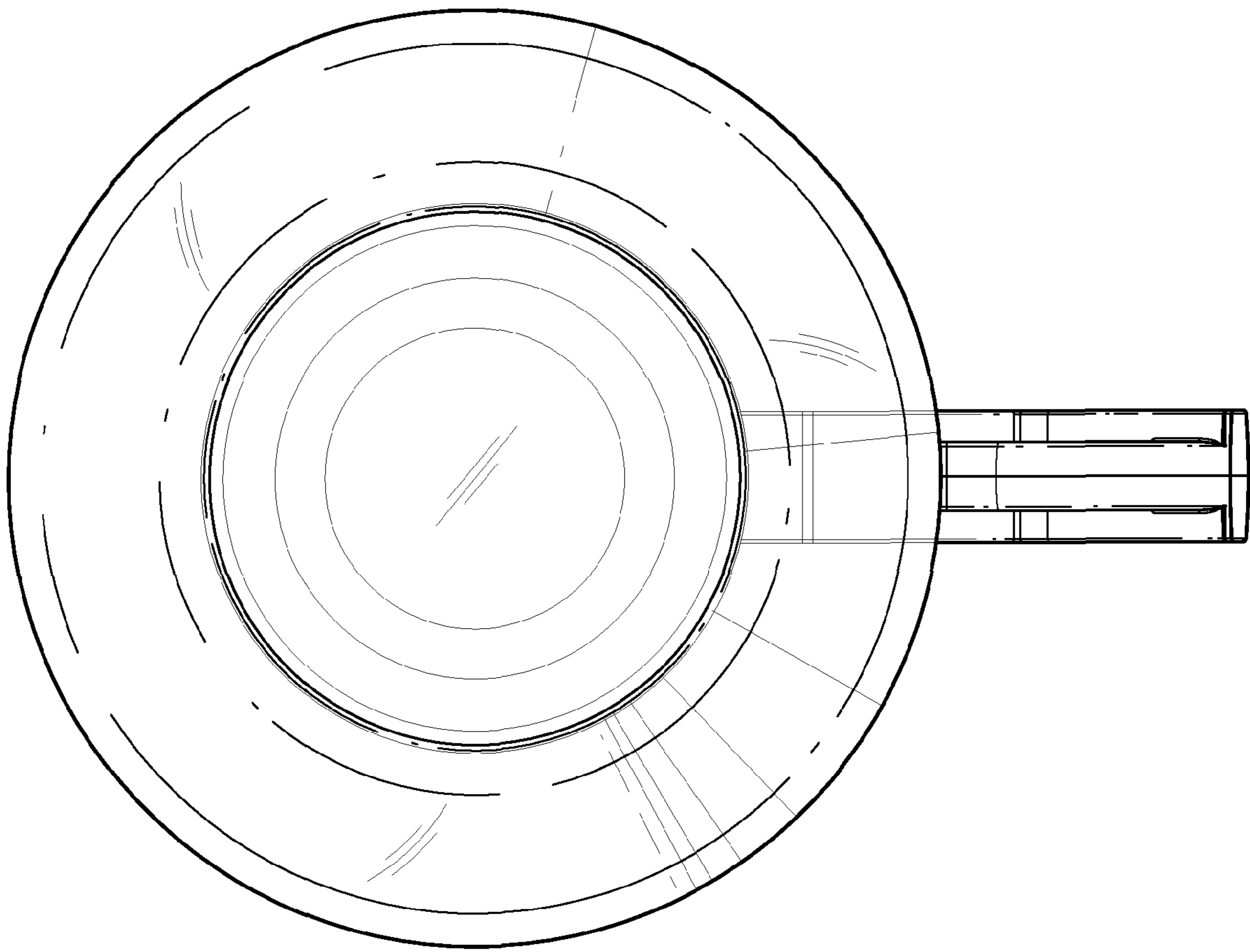


FIG. 6