



US00D636622S

(12) **United States Design Patent**
Quinter et al.

(10) **Patent No.:** **US D636,622 S**

(45) **Date of Patent:** **** Apr. 26, 2011**

(54) **MATTRESS**

(75) Inventors: **Geoffrey R. Quinter**, Earlville, PA (US); **Eric Holzer**, Coopersburg, PA (US); **Nicole Meluskey**, Center Valley, PA (US); **Lauren C. Gatto**, Bethlehem, PA (US)

(73) Assignee: **Foamex Innovations Operating Company**, Media, PA (US)

(**) Term: **14 Years**

(21) Appl. No.: **29/358,691**

(22) Filed: **Mar. 31, 2010**

(51) **LOC (9) Cl.** **06-09**

(52) **U.S. Cl.** **D6/595**

(58) **Field of Classification Search** D6/331, D6/333, 382, 383, 390, 391, 595-602, 604-607; 5/424, 485, 497, 93.1, 93.2, 99.1, 98.1, 630, 5/640, 655, 690-692, 694, 698-703, 706, 5/707, 709, 710, 716-723, 727-729, 731, 5/732, 739, 740; D30/119; 119/118; 428/218
See application file for complete search history.

(56) **References Cited**

U.S. PATENT DOCUMENTS

4,361,919	A	12/1982	Hull	
4,525,883	A	7/1985	Necowitz	
D317,994	S *	7/1991	Collins	D6/605
5,513,402	A	5/1996	Schwartz	
5,566,409	A *	10/1996	Klearman	5/723
5,701,623	A *	12/1997	May	5/739
5,715,551	A	2/1998	Proano et al.	
5,754,993	A	5/1998	Russell	
5,819,349	A	10/1998	Schwartz	
5,822,817	A	10/1998	Carew et al.	
5,937,465	A	8/1999	Carew et al.	
6,026,525	A	2/2000	Davis	
6,192,538	B1 *	2/2001	Fogel	5/727
6,408,463	B1 *	6/2002	Palacio	5/424
D467,117	S *	12/2002	Guy	D6/596
6,550,082	B2	4/2003	Tharalson et al.	
6,957,464	B1	10/2005	Coauette	

6,971,132 B2 * 12/2005 Feinsod 5/703
7,165,282 B2 * 1/2007 Watson 5/739
7,246,388 B2 7/2007 DiLiberto, Jr.

(Continued)

Primary Examiner — Mary Ann Calabrese

(74) *Attorney, Agent, or Firm* — Connolly Bove Lodge & Hutz LLP

(57) **CLAIM**

The ornamental design for a mattress, as shown and described.

DESCRIPTION

FIG. 1 is a right front perspective view of a mattress showing the invention, wherein the mattress is in a crib configuration; FIG. 2 is a top plan view of the mattress in a crib configuration of FIG. 1;

FIG. 3 is a right side elevational view of the mattress in crib configuration of FIG. 1, wherein the left side elevational view is identical thereto;

FIG. 4 is a front end elevational view of the mattress in crib configuration of FIG. 1, wherein the rear end elevation is identical thereto;

FIG. 5 is a bottom plan view of the mattress in crib configuration of FIG. 1;

FIG. 6 is a right front perspective view of the mattress showing the invention, wherein the mattress is in an alternate twin-size configuration;

FIG. 7 is a top plan view of the mattress in a twin-size configuration of FIG. 6;

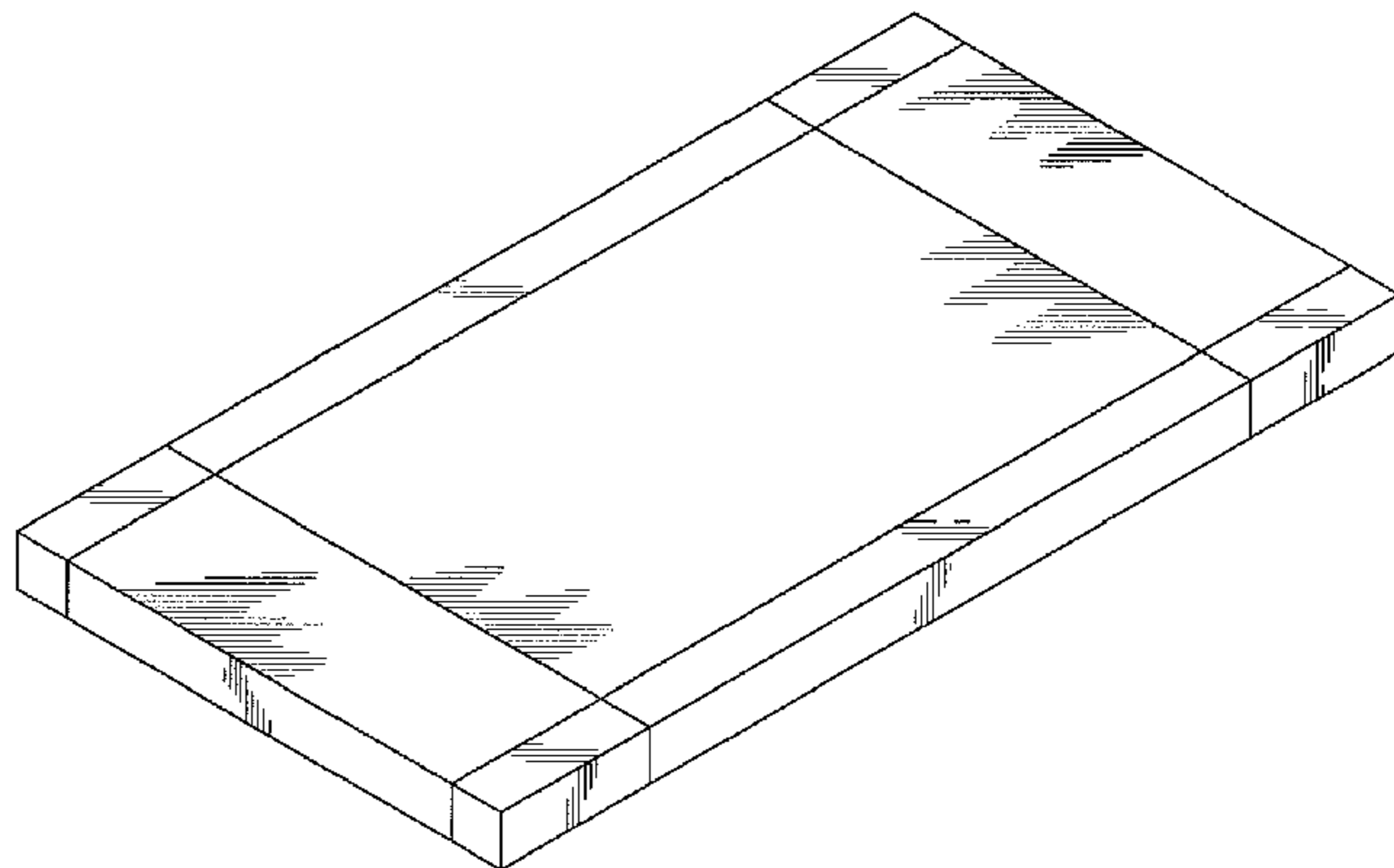
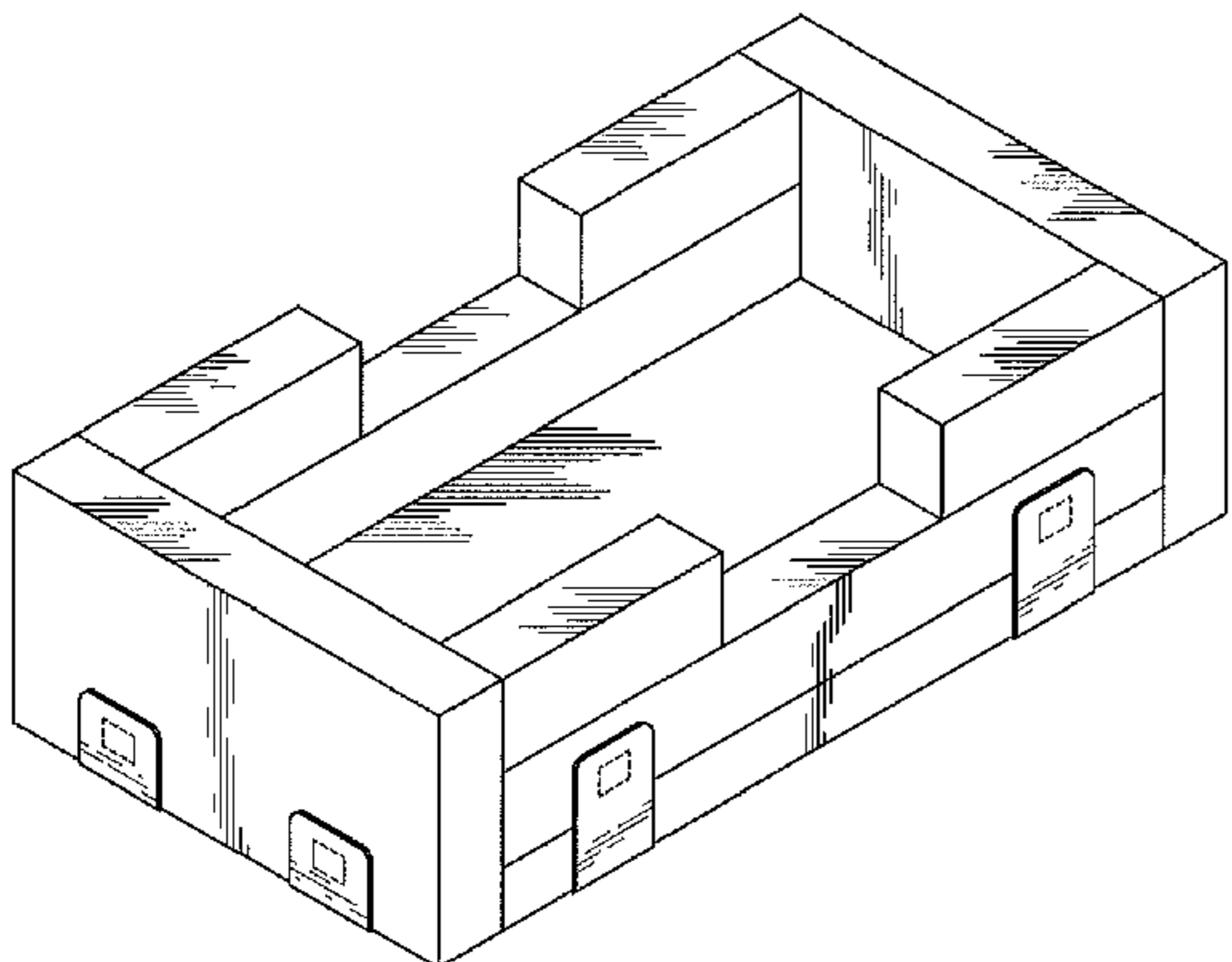
FIG. 8 is a right side elevational view of the mattress in a twin-size configuration of FIG. 6, wherein the left side elevational view is identical thereto;

FIG. 9 is a bottom plan view of the mattress in a twin-size configuration of FIG. 6; and,

FIG. 10 is a front end elevational view of the mattress in a twin-size configuration of FIG. 6, wherein the rear end elevational view is identical thereto.

The broken lines contained in the Figures are for illustrative purposes only and form no part of the claimed design.

1 Claim, 4 Drawing Sheets



US D636,622 S

Page 2

U.S. PATENT DOCUMENTS			
7,363,668	B2 *	4/2008	Chen 5/690
7,404,219	B2	7/2008	Berkey
D581,714	S *	12/2008	Godoy D6/605
RE40,754	E	6/2009	Morton
2003/0000021	A1	1/2003	O'Connell et al.
2004/0055086	A1	3/2004	Owens et al.
2006/0016013	A1 *	1/2006	Lord et al. 5/655
2006/0031995	A1	2/2006	Barkhouse
2006/0123543	A1	6/2006	DiLiberto
2009/0158528	A1 *	6/2009	Frey 5/722

* cited by examiner

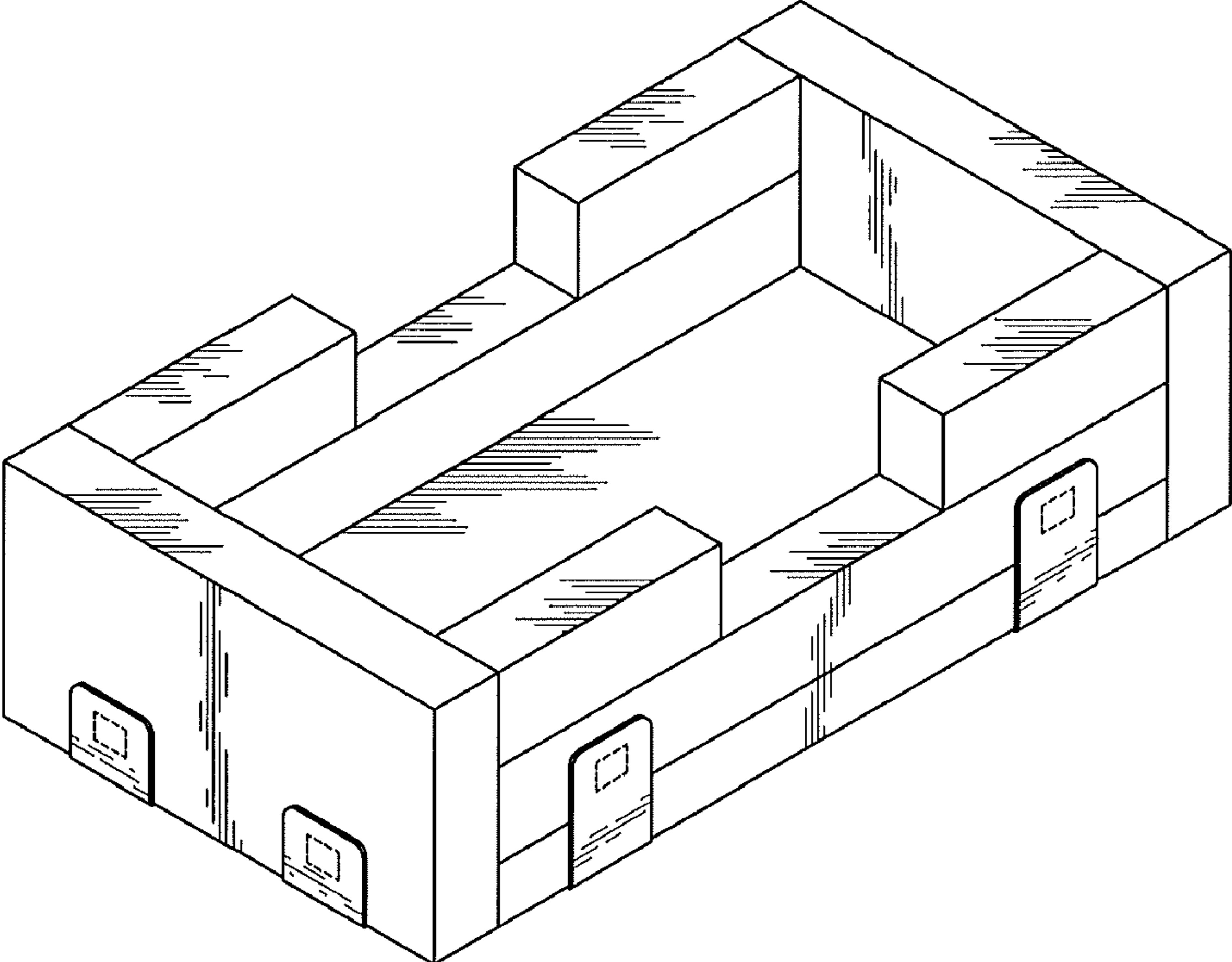


FIG. 1

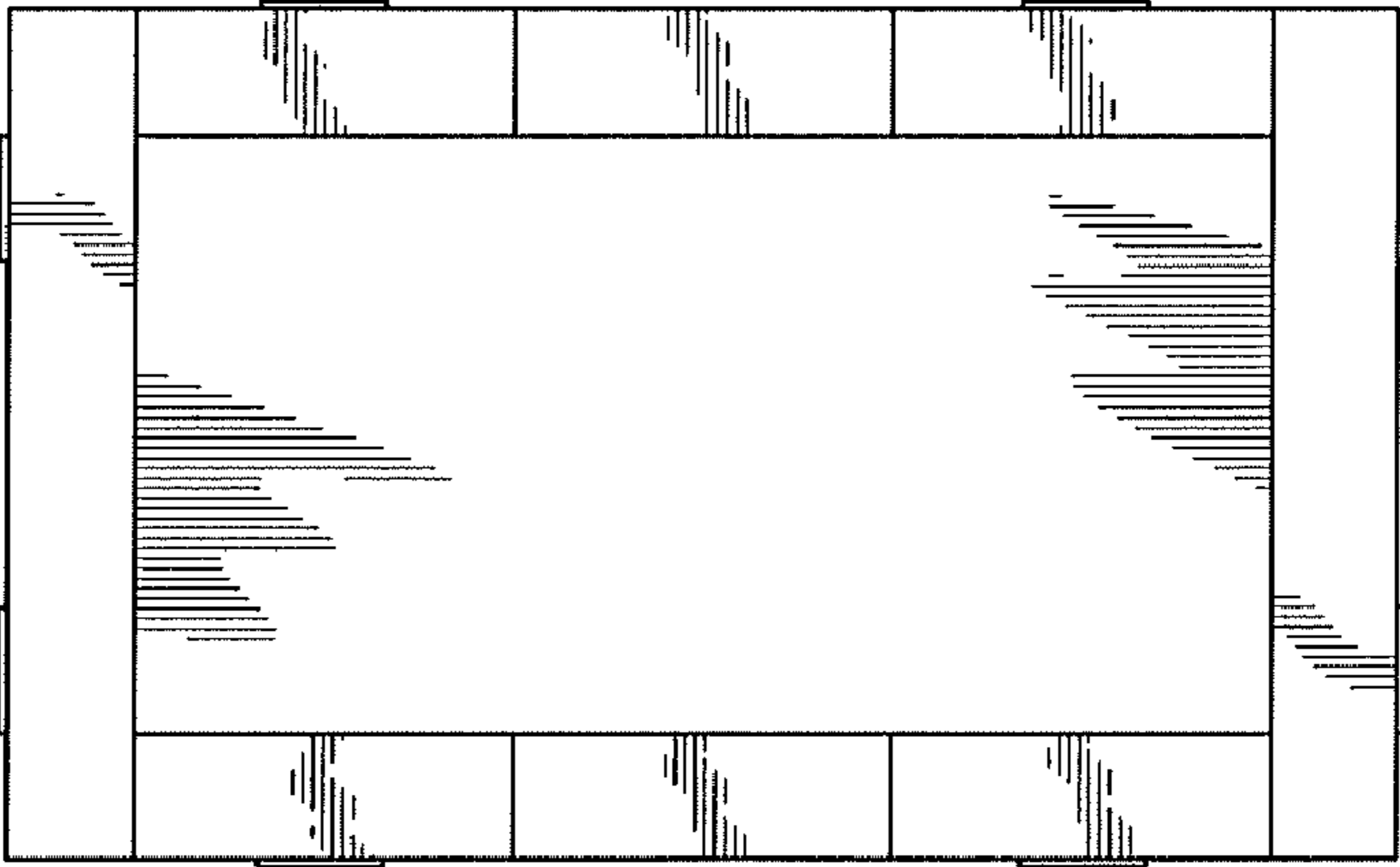


FIG. 2

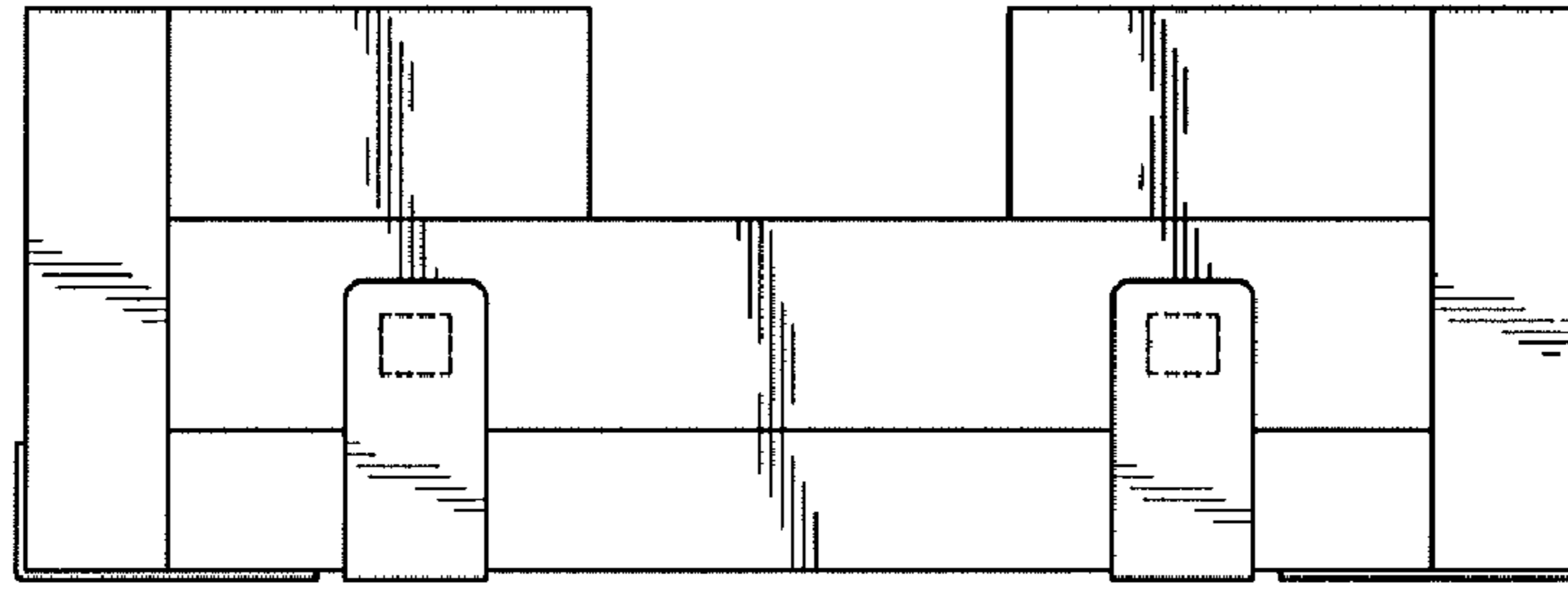


FIG. 3

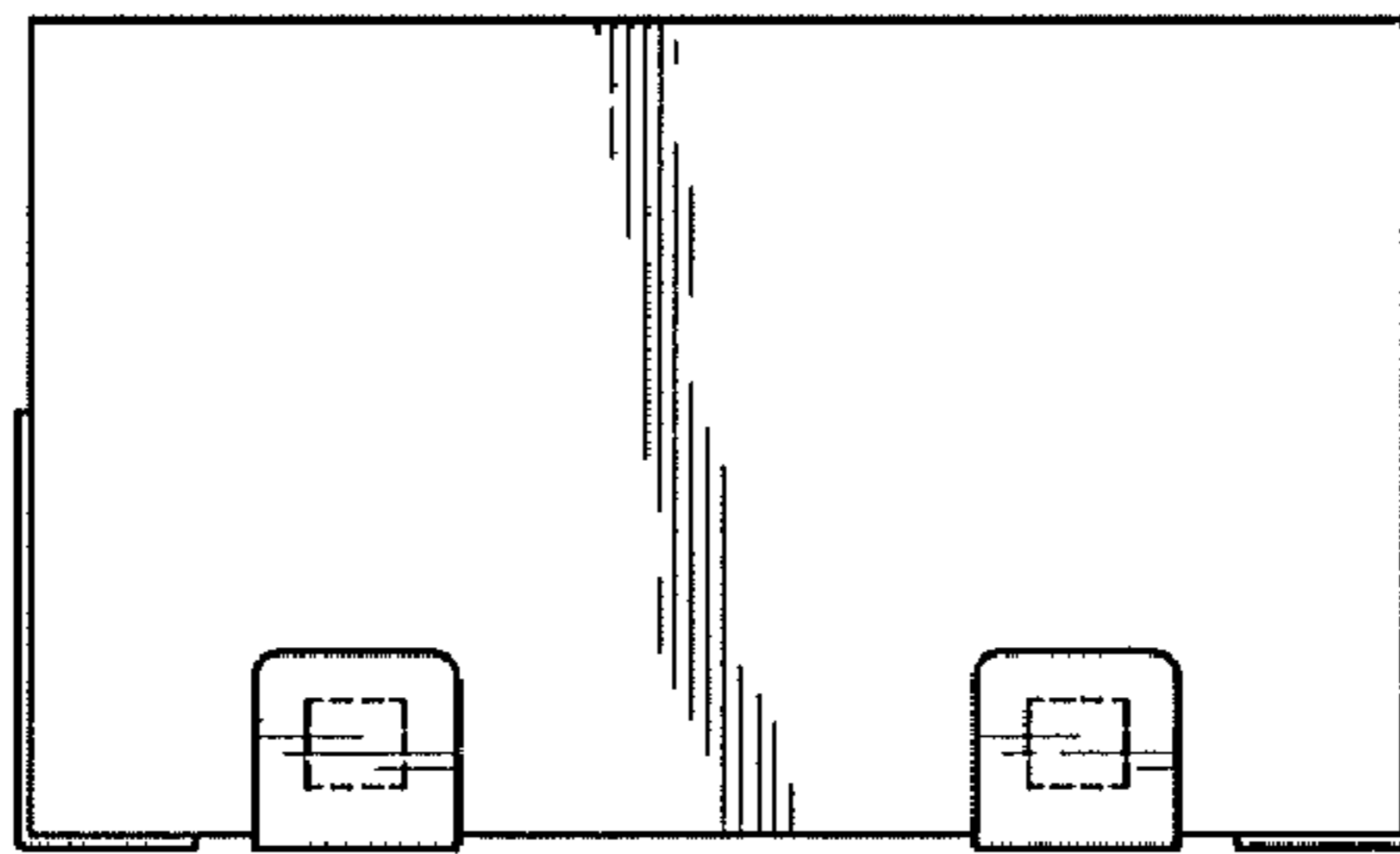


FIG. 4

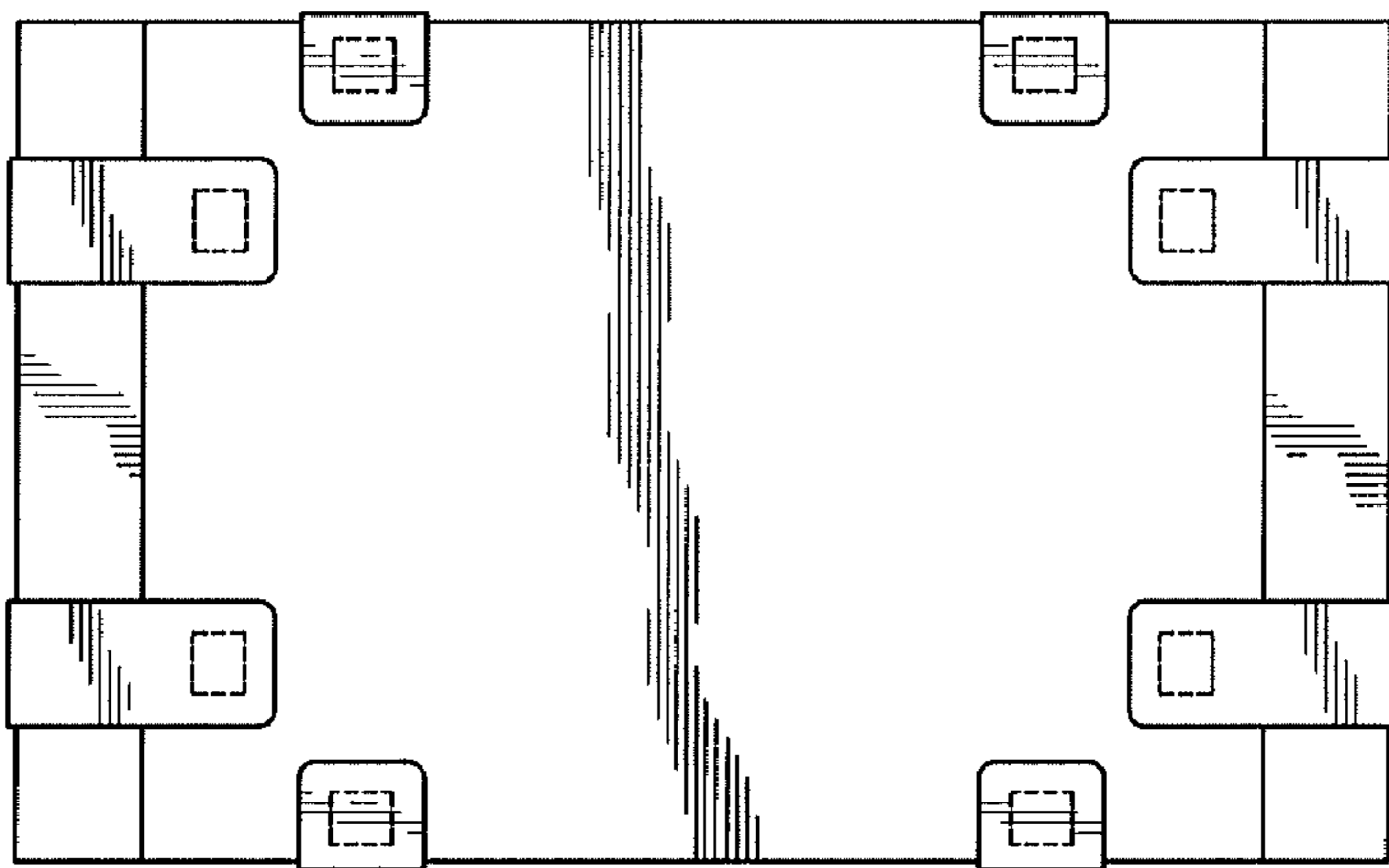


FIG. 5

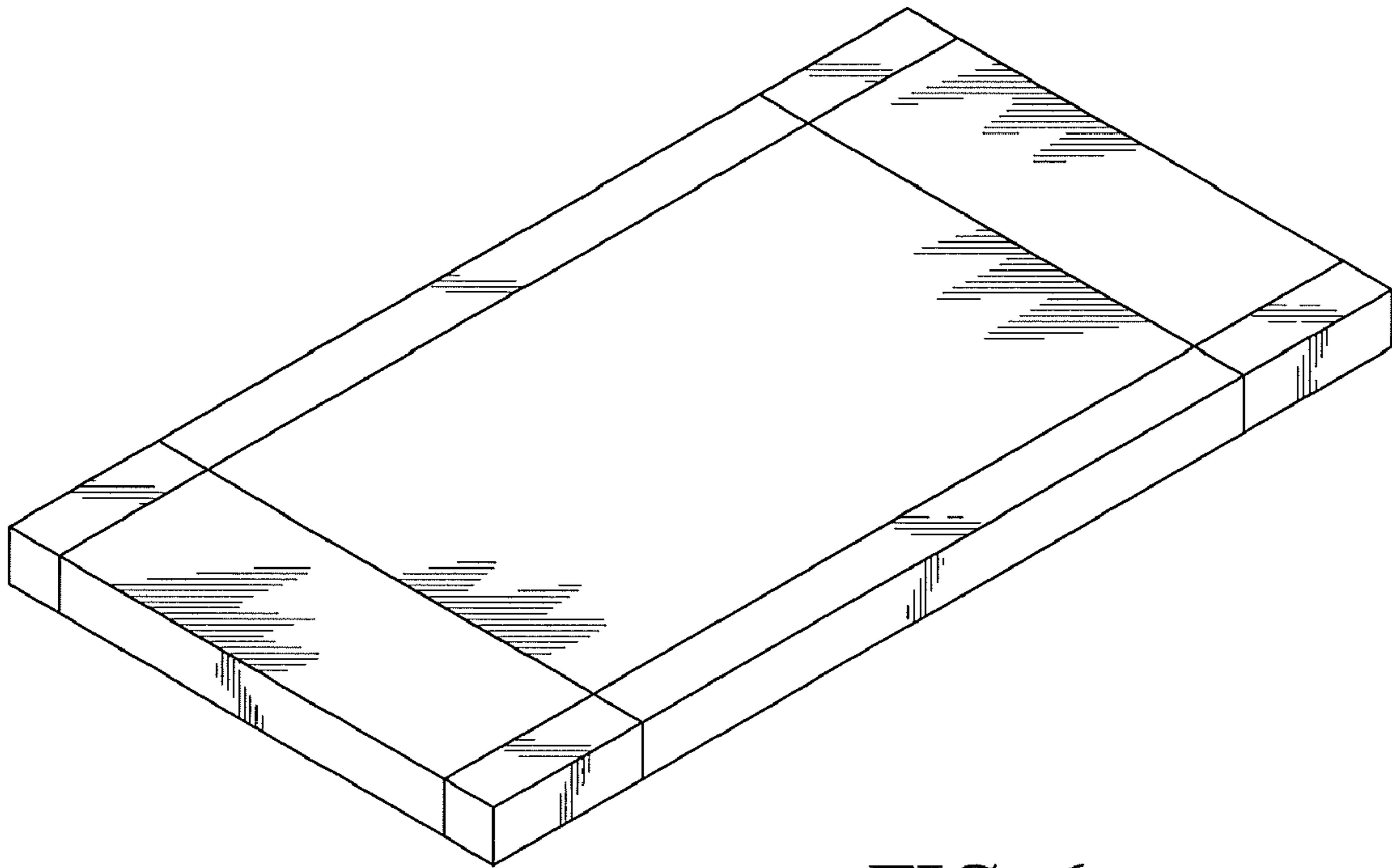


FIG. 6

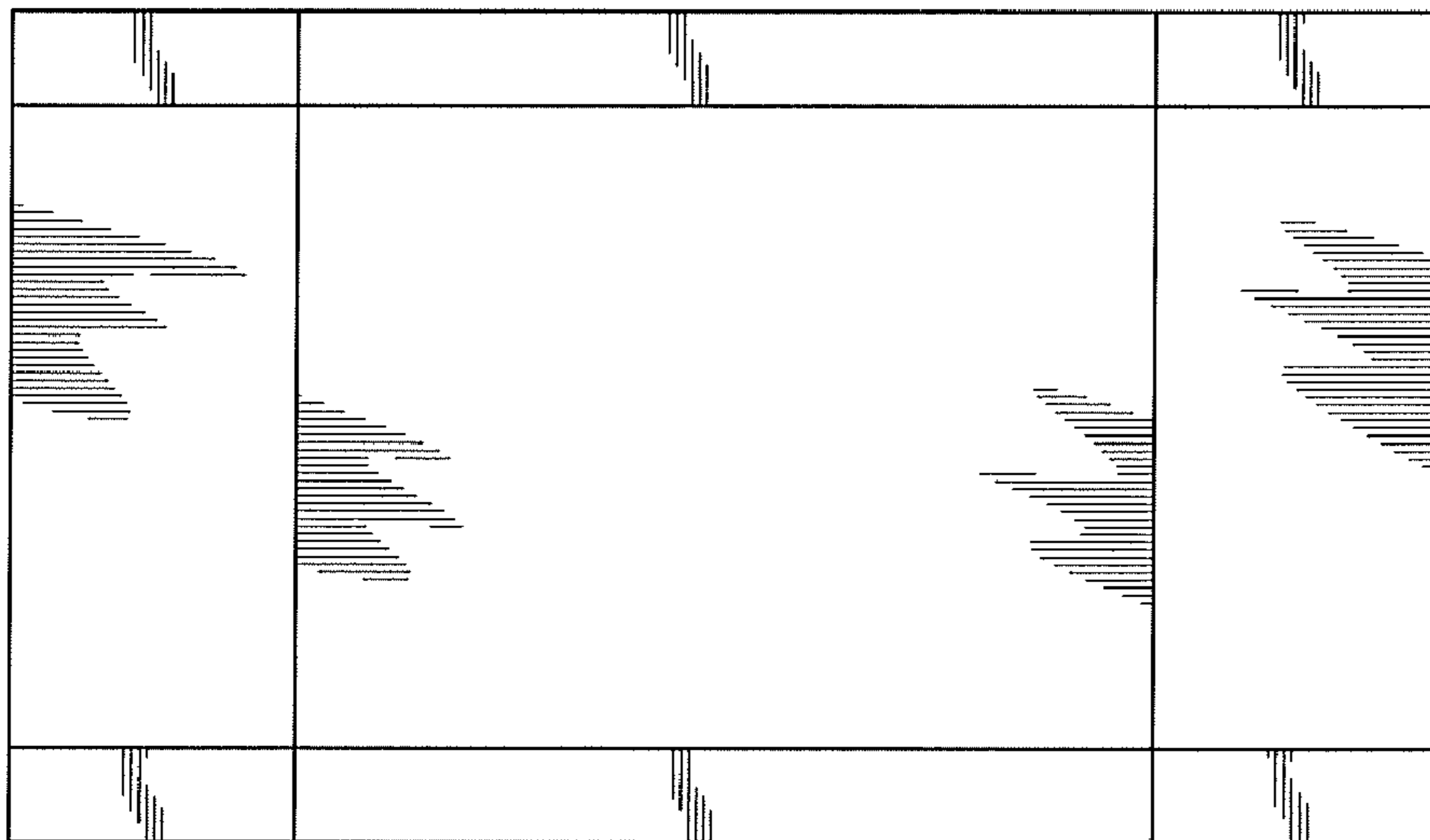


FIG. 7

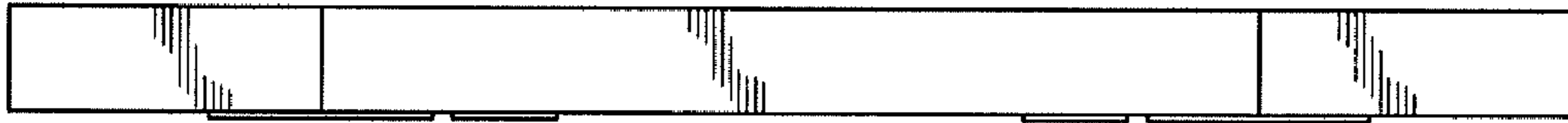


FIG. 8

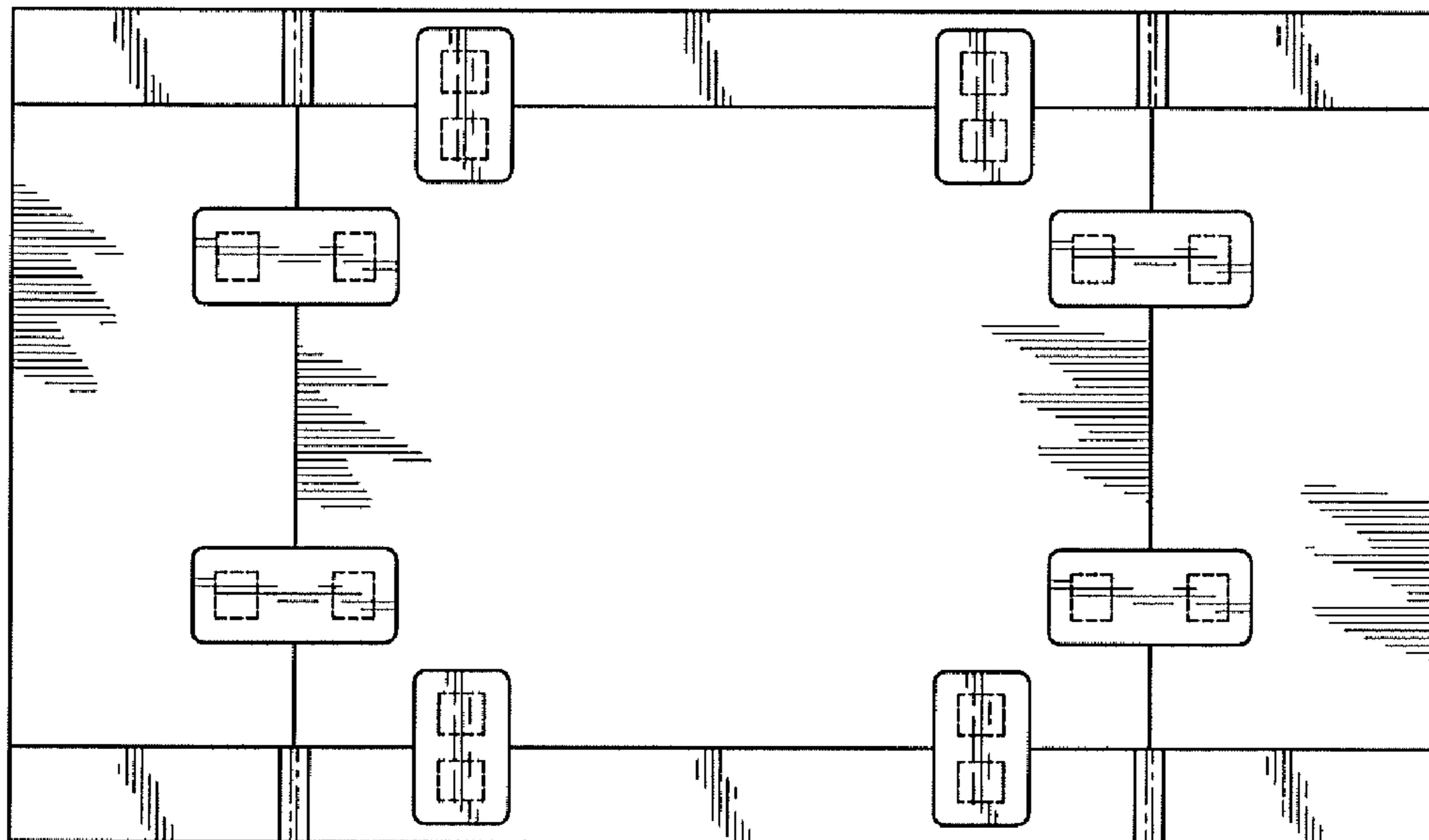


FIG. 9

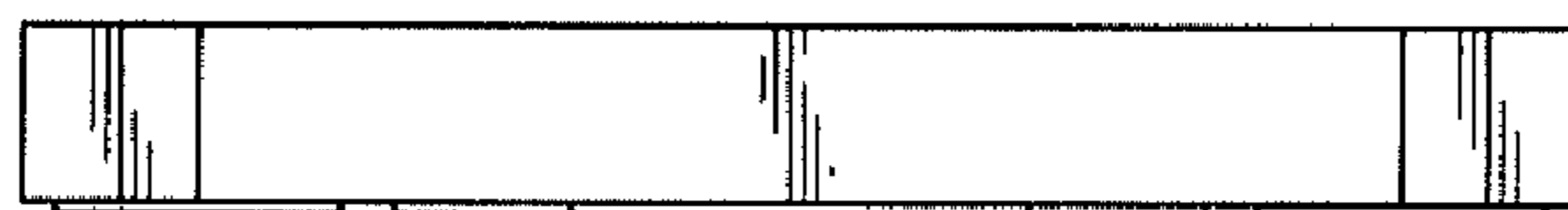


FIG. 10