



US00D636621S

(12) **United States Design Patent**
Kluge et al.

(10) **Patent No.:** **US D636,621 S**

(45) **Date of Patent:** **** Apr. 26, 2011**

(54) **PEGBOARD**

(76) Inventors: **Richard G Kluge**, Lake Geneva, IL
(US); **Mark A Hunsaker**, Spring Grove,
IL (US)

(**) Term: **14 Years**

(21) Appl. No.: **29/361,569**

(22) Filed: **May 12, 2010**

(51) **LOC (9) Cl.** **06-04**

(52) **U.S. Cl.** **D6/561**

(58) **Field of Classification Search** D6/512,
D6/553, 559-561, 432, 492, 445-448, 510,
D6/511; D25/47, 48, 58, 138, 141, 142,
D25/103, 106-111, 119, 152-153, 155-159,
D25/162, 102; 52/177-181; 312/100, 204,
312/242-245; D15/91; 428/132, 137, 141,
428/182

See application file for complete search history.

(56) **References Cited**

U.S. PATENT DOCUMENTS

5,927,517 A * 7/1999 Lipman et al. 211/59.1
D438,741 S * 3/2001 Murphy D6/553

D446,414 S * 8/2001 Schafer D6/553
D512,254 S * 12/2005 Ottens D6/553
D573,828 S * 7/2008 Clokey et al. D6/553

* cited by examiner

Primary Examiner — Brian N Vinson

(74) *Attorney, Agent, or Firm* — David J. Bremer

(57) **CLAIM**

The ornamental design for a pegboard, as shown and described.

DESCRIPTION

FIG. 1 is a top, front, and left side perspective view of a pegboard showing our new design.
FIG. 2 is a front elevational view of the pegboard.
FIG. 3 is a left side elevational view of the pegboard.
FIG. 4 is a right side elevational view of the pegboard.
FIG. 5 is a top plan view of the pegboard.
FIG. 6 is a bottom plan view of the pegboard.
FIG. 7 is a rear elevational view of the pegboard; and,
FIG. 8 is an enlarged top, front, and left side fragmentary perspective view taken where indicated in FIG. 1.

1 Claim, 3 Drawing Sheets

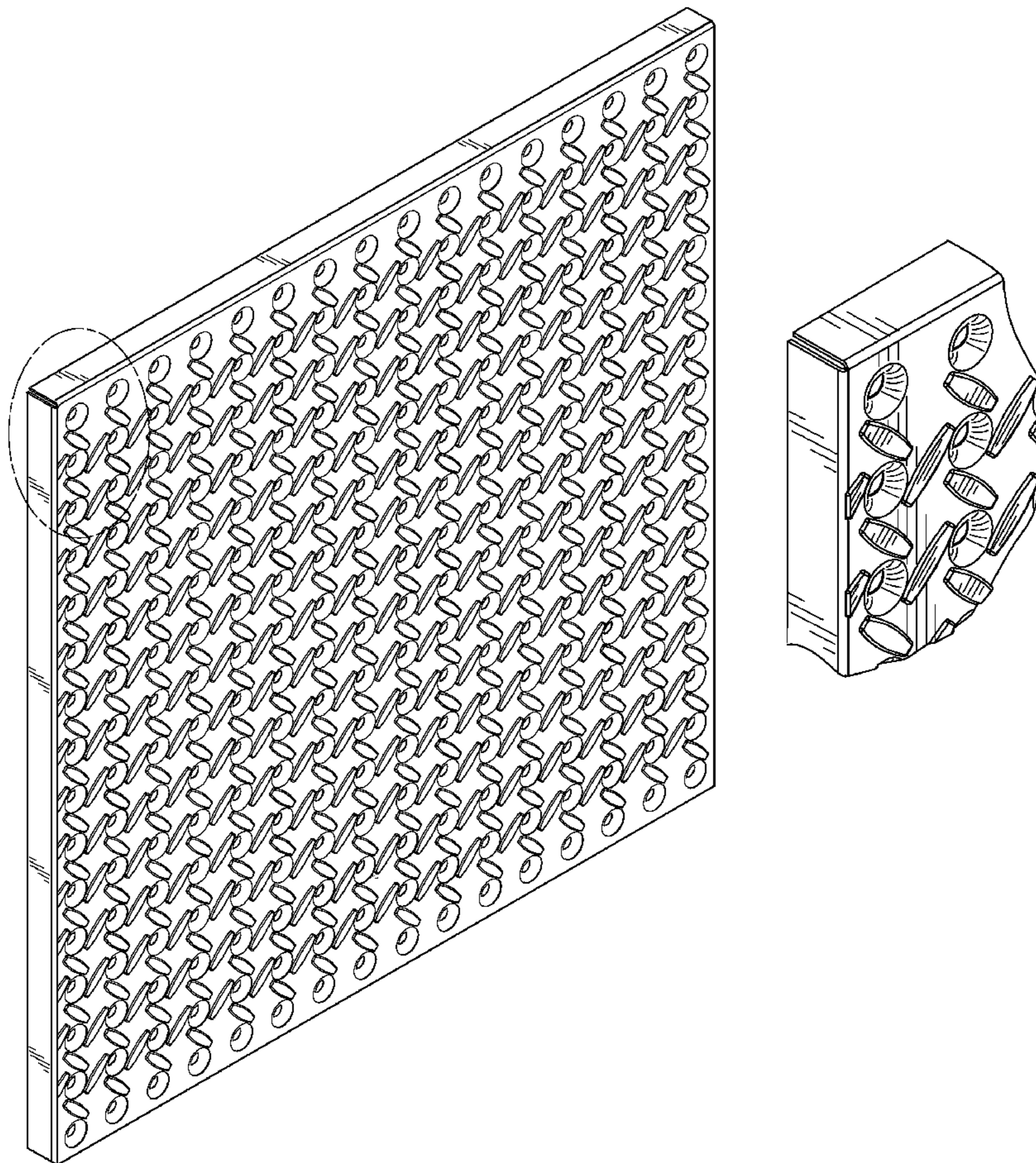


Fig. 1

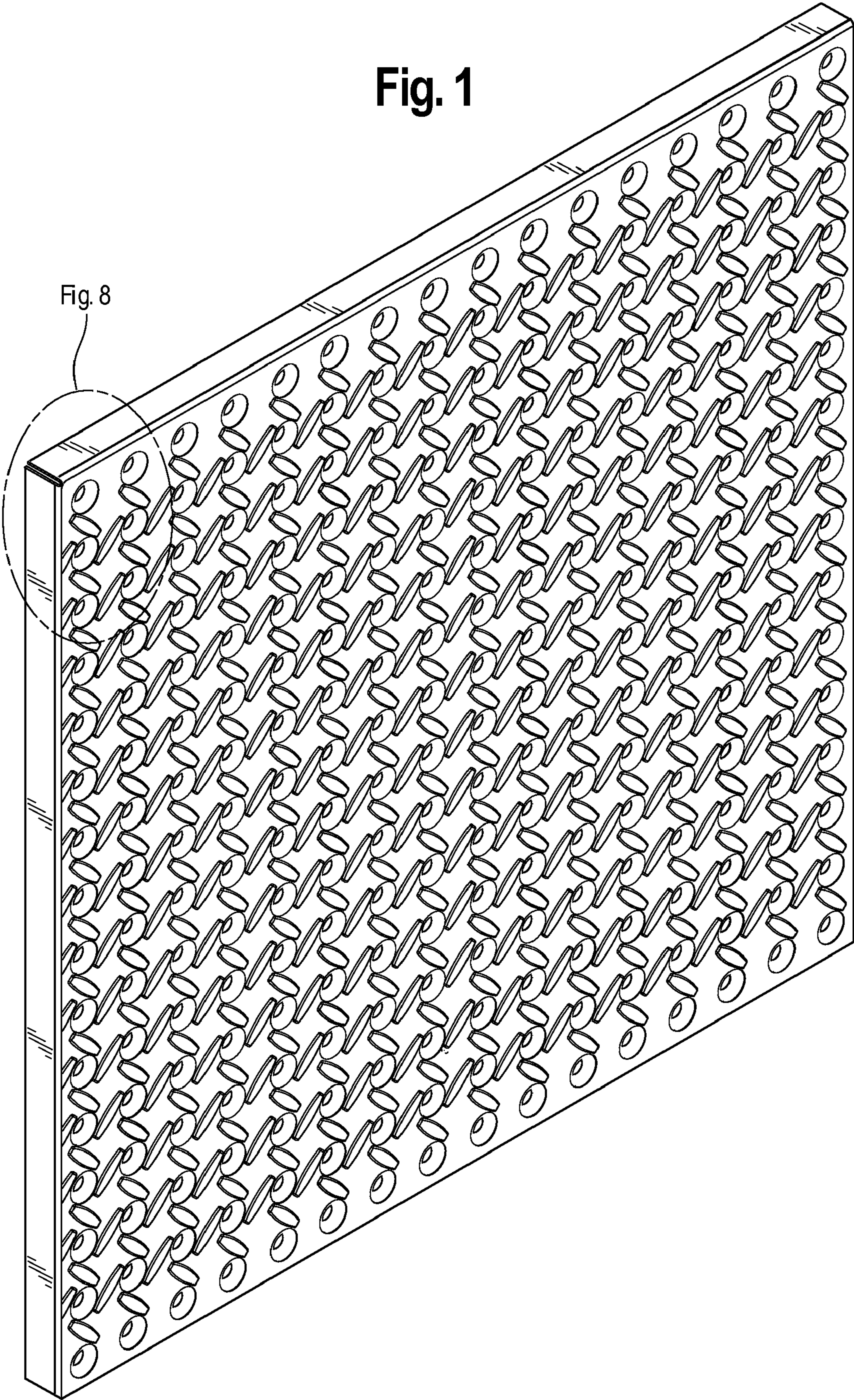


Fig. 5



Fig. 3



Fig. 2

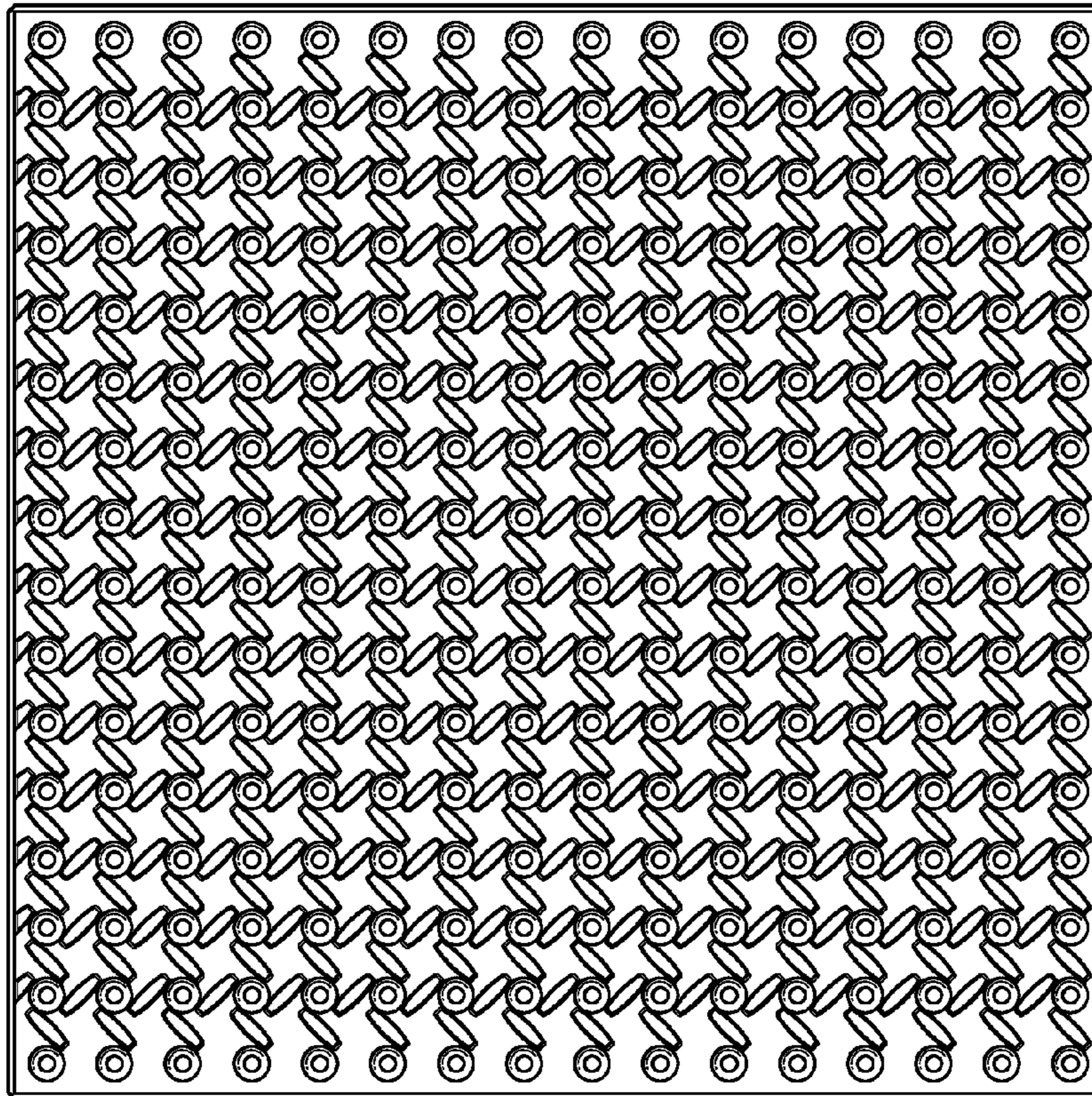


Fig. 4

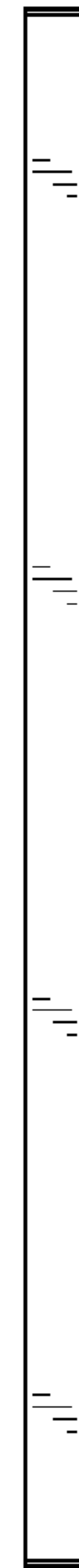


Fig. 6

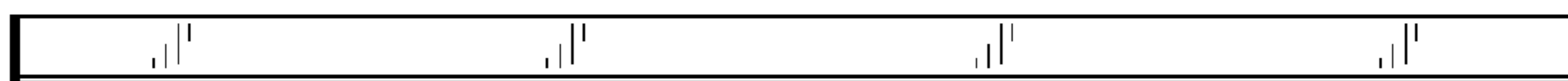


Fig. 7

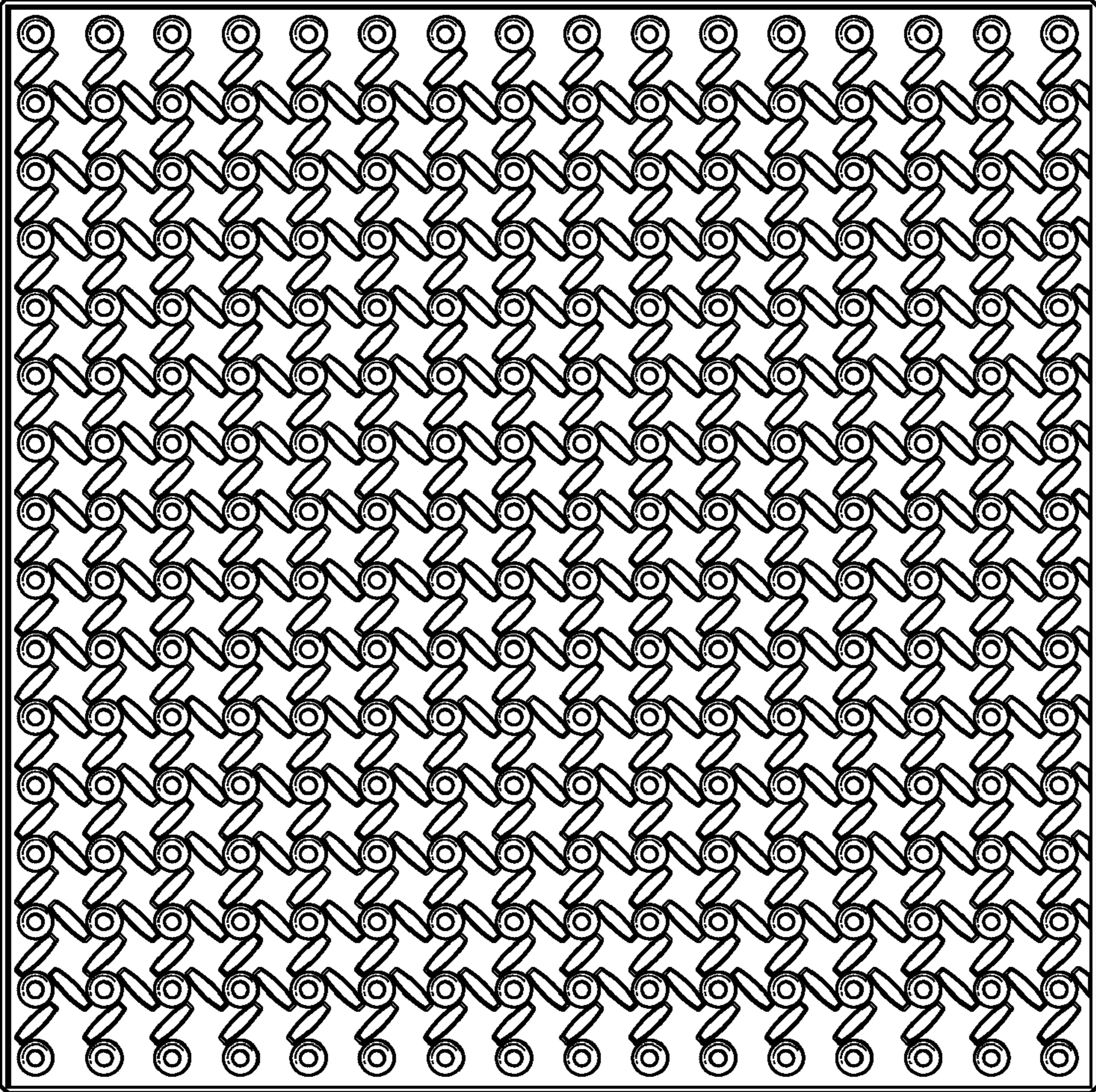


Fig. 8

