



US00D636620S

(12) **United States Design Patent**  
**Goldlberg**

(10) **Patent No.:** **US D636,620 S**

(45) **Date of Patent:** **\*\* \*Apr. 26, 2011**

(54) **SHOP DESK WITH HUTCH**

(76) Inventor: **Mark A. Goldlberg**, Lido Beach, NY  
(US)

(\* ) Notice: This patent is subject to a terminal disclaimer.

(\*\* ) Term: **14 Years**

(21) Appl. No.: **29/336,208**

(22) Filed: **Apr. 29, 2009**

**Related U.S. Application Data**

(63) Continuation of application No. 11/360,228, filed on Feb. 23, 2006, now Pat. No. 7,641,294.

(51) **LOC (9) Cl.** ..... **06-06**

(52) **U.S. Cl.** ..... **D6/511**

(58) **Field of Classification Search** ..... D6/510,  
D6/511, 420-426, 491; 312/194-196, 330.1;  
108/50.01, 50.02, 60

See application file for complete search history.

(56) **References Cited**

**U.S. PATENT DOCUMENTS**

688,104	A	12/1901	Lohrman	
D157,078	S	1/1950	Nemes	
2,903,316	A	9/1959	Schmidt	
4,870,630	A	9/1989	Blake	
4,905,609	A	3/1990	Haskins	
D318,961	S *	8/1991	Edelson	..... D6/406.4

D351,079	S *	10/1994	Brown	..... D6/510
6,840,180	B2	1/2005	Ulmer	
D606,782	S *	12/2009	Goldlberg	..... D6/511
D611,280	S *	3/2010	Goldlberg	..... D6/511

**FOREIGN PATENT DOCUMENTS**

JP 404005910 A 1/1992

\* cited by examiner

*Primary Examiner* — Janice E Seeger

(74) *Attorney, Agent, or Firm* — David W. Denenberg

(57) **CLAIM**

The ornamental design for shop desk with hutch, as shown and described.

**DESCRIPTION**

FIG. 1 is an isometric view of a shop desk with hutch, with the hutch in an upside down reversed orientation, front positioning on an underside of the shop desk.

FIG. 2 is an isometric view of the shop desk with hutch of FIG. 1, that is horizontally rotated 90° from the angle of the shop desk with hutch shown in FIG. 1.

FIG. 3 is a front view of the shop desk with hutch of FIGS. 1 and 2.

FIG. 4 is a top plan view of the shop desk with hutch of FIGS. 1 and 2.

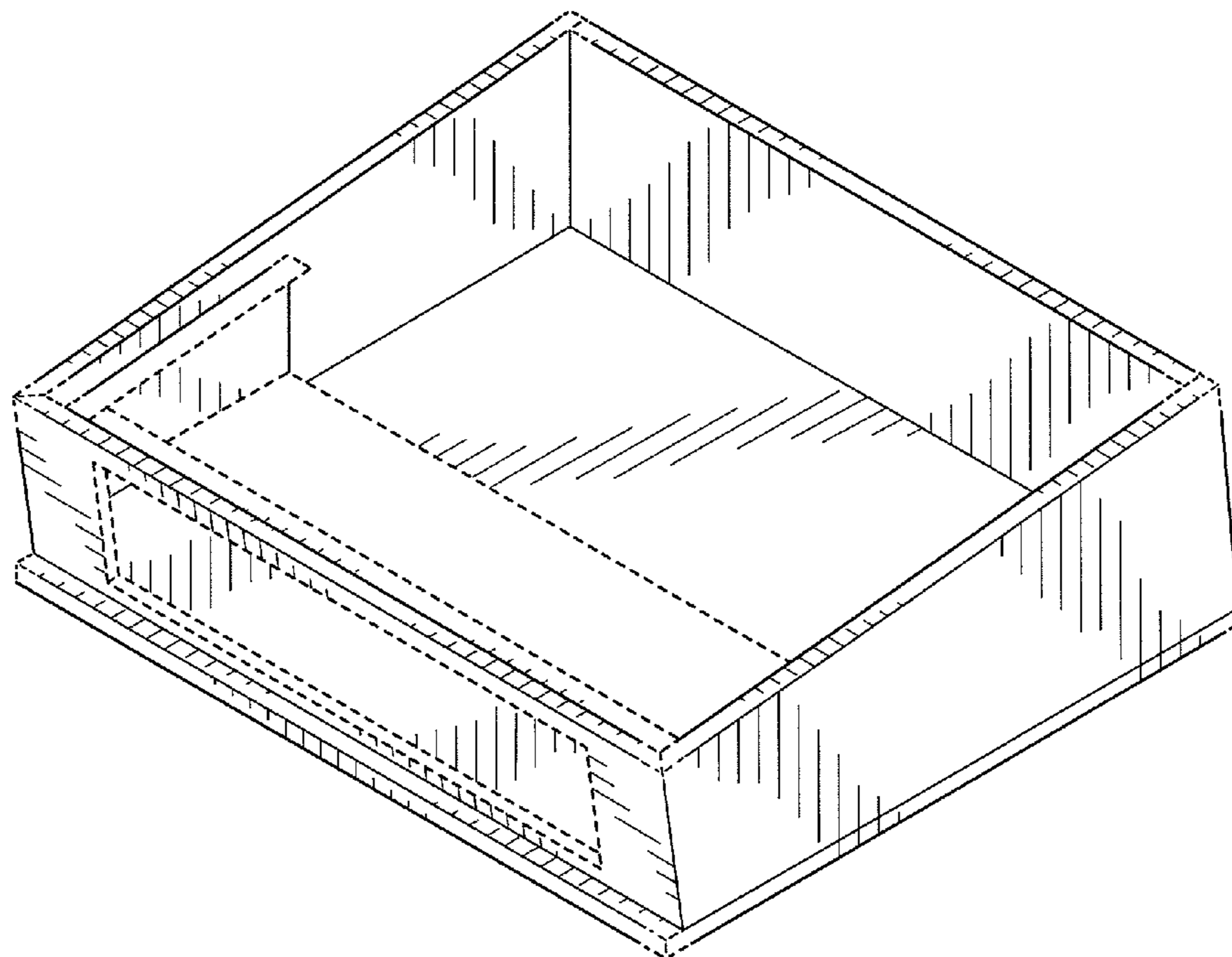
FIG. 5 is a right side view of the shop desk with hutch of FIGS. 1 and 2 that is symmetric to the left side view thereof.

FIG. 6 is a rear view of the shop desk with hutch of FIGS. 1 and 2; and,

FIG. 7 is a bottom plan view of the shop desk with hutch of FIGS. 1 and 2.

The broken lines form no part of the claimed design.

**1 Claim, 6 Drawing Sheets**



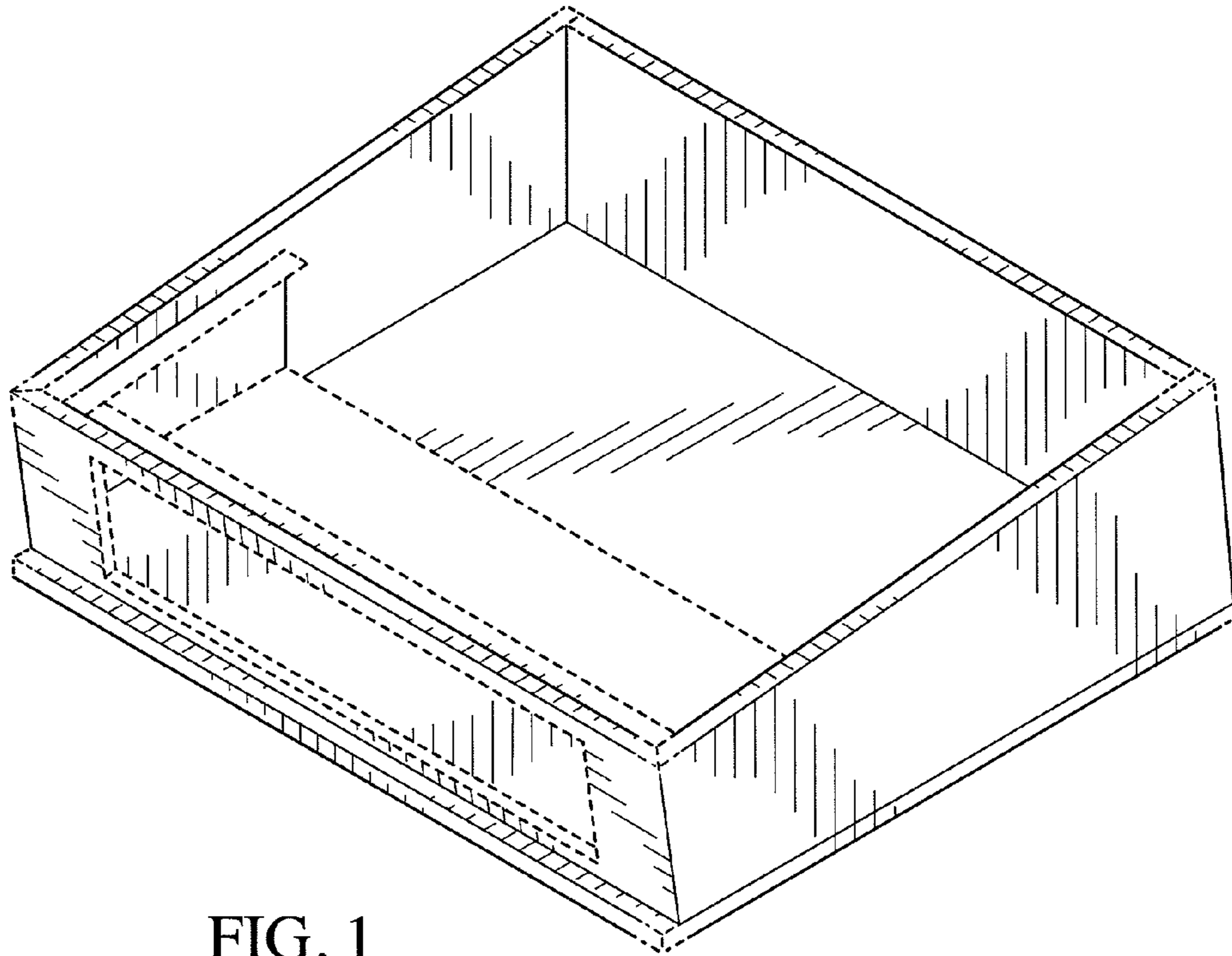


FIG. 1

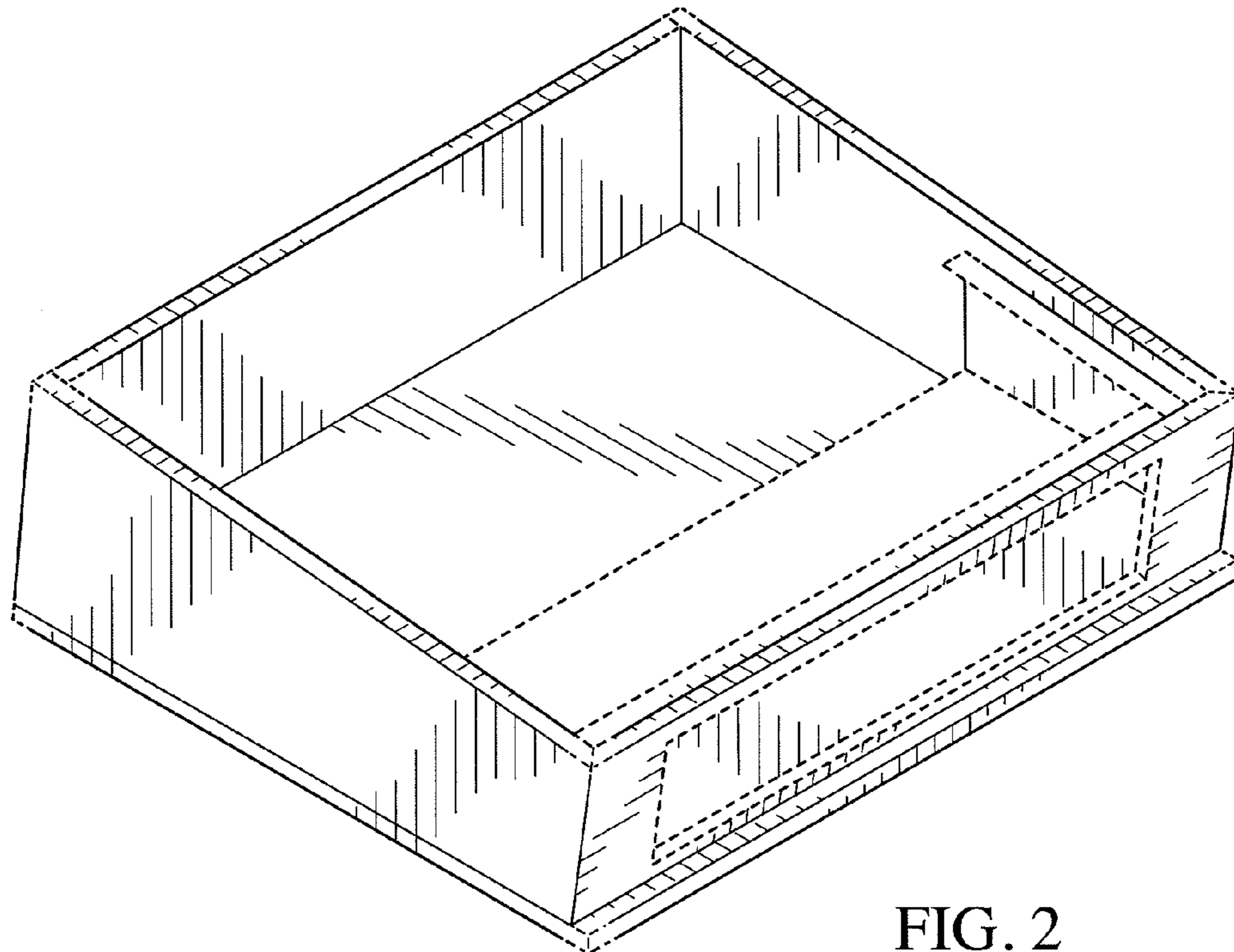


FIG. 2

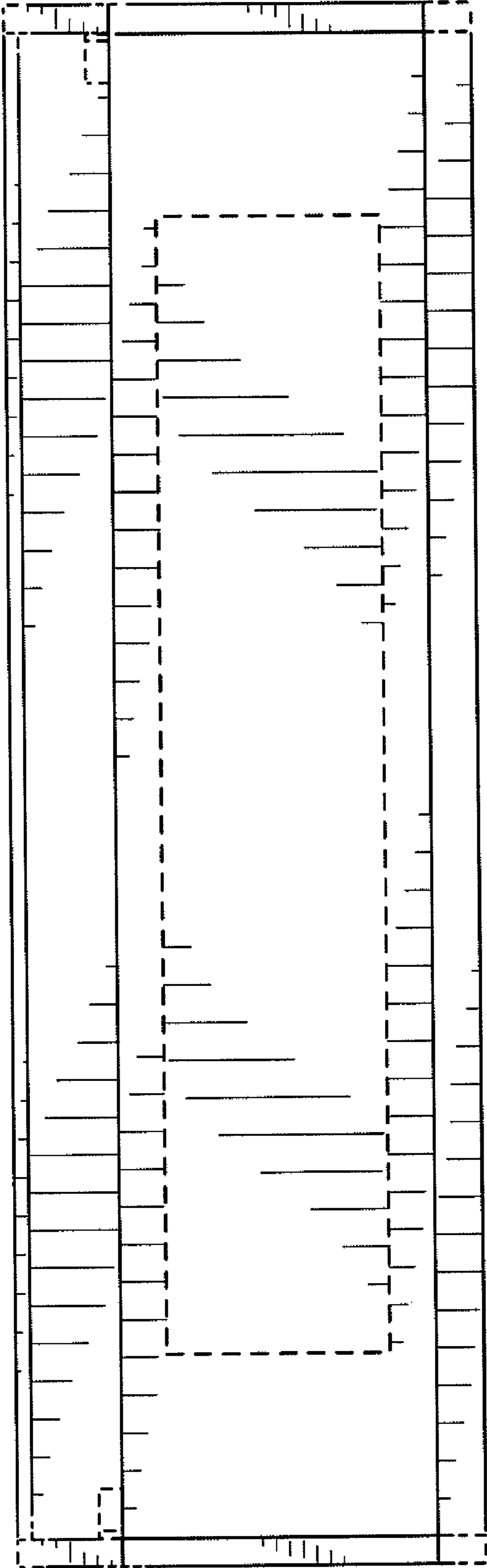


FIG. 3

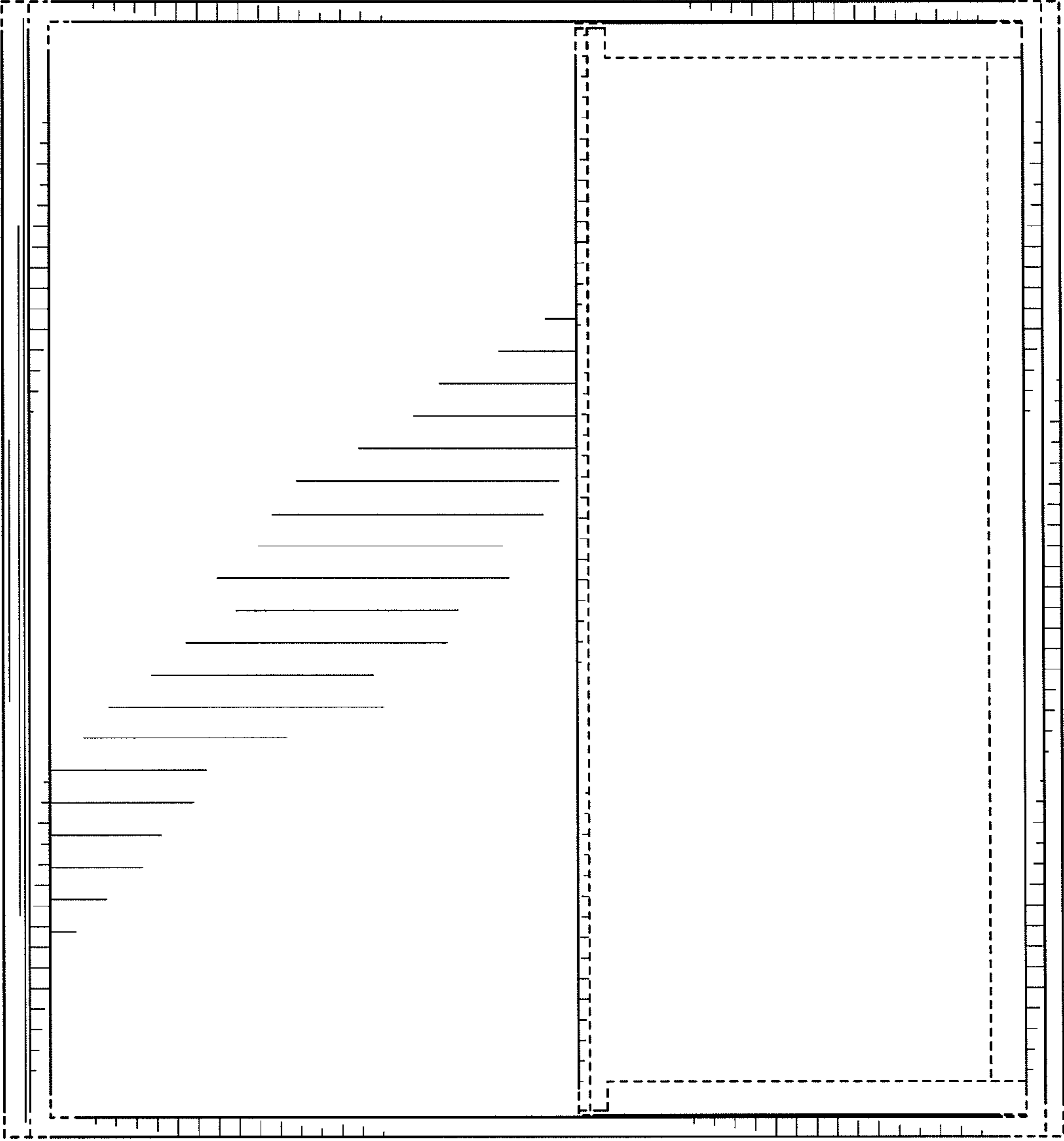


FIG. 4

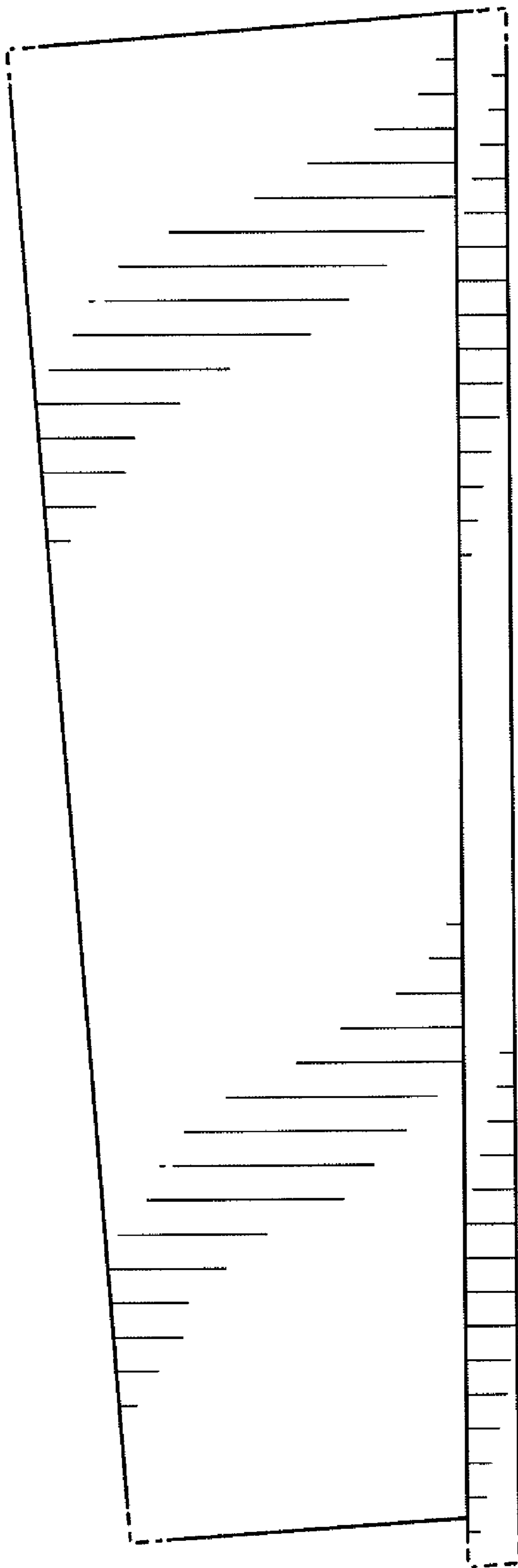


FIG. 5

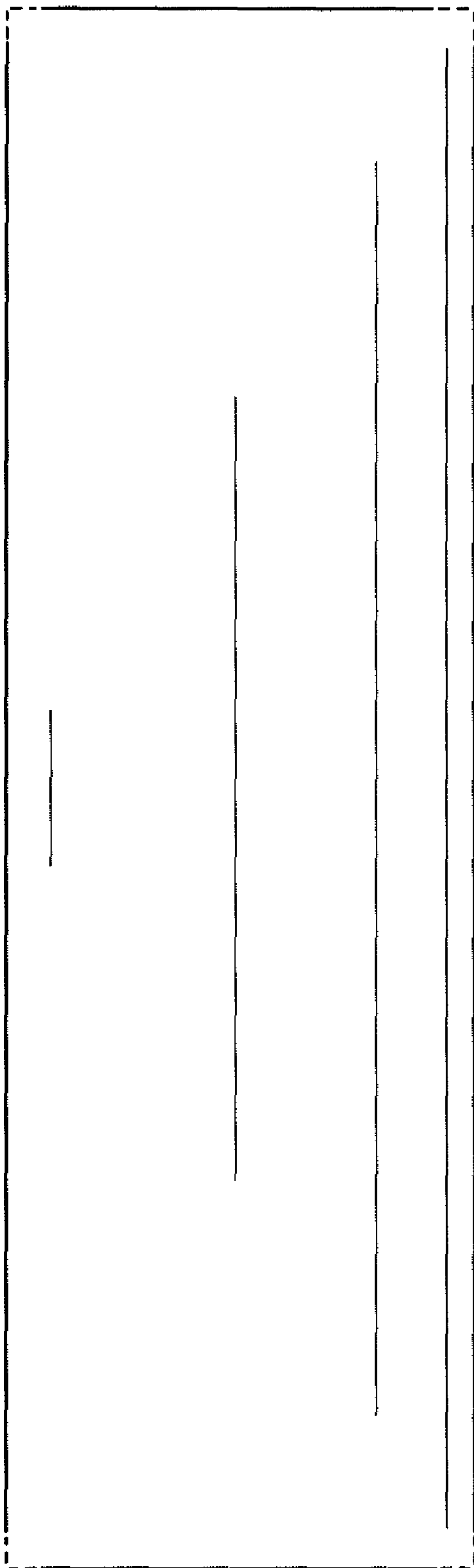


FIG. 6

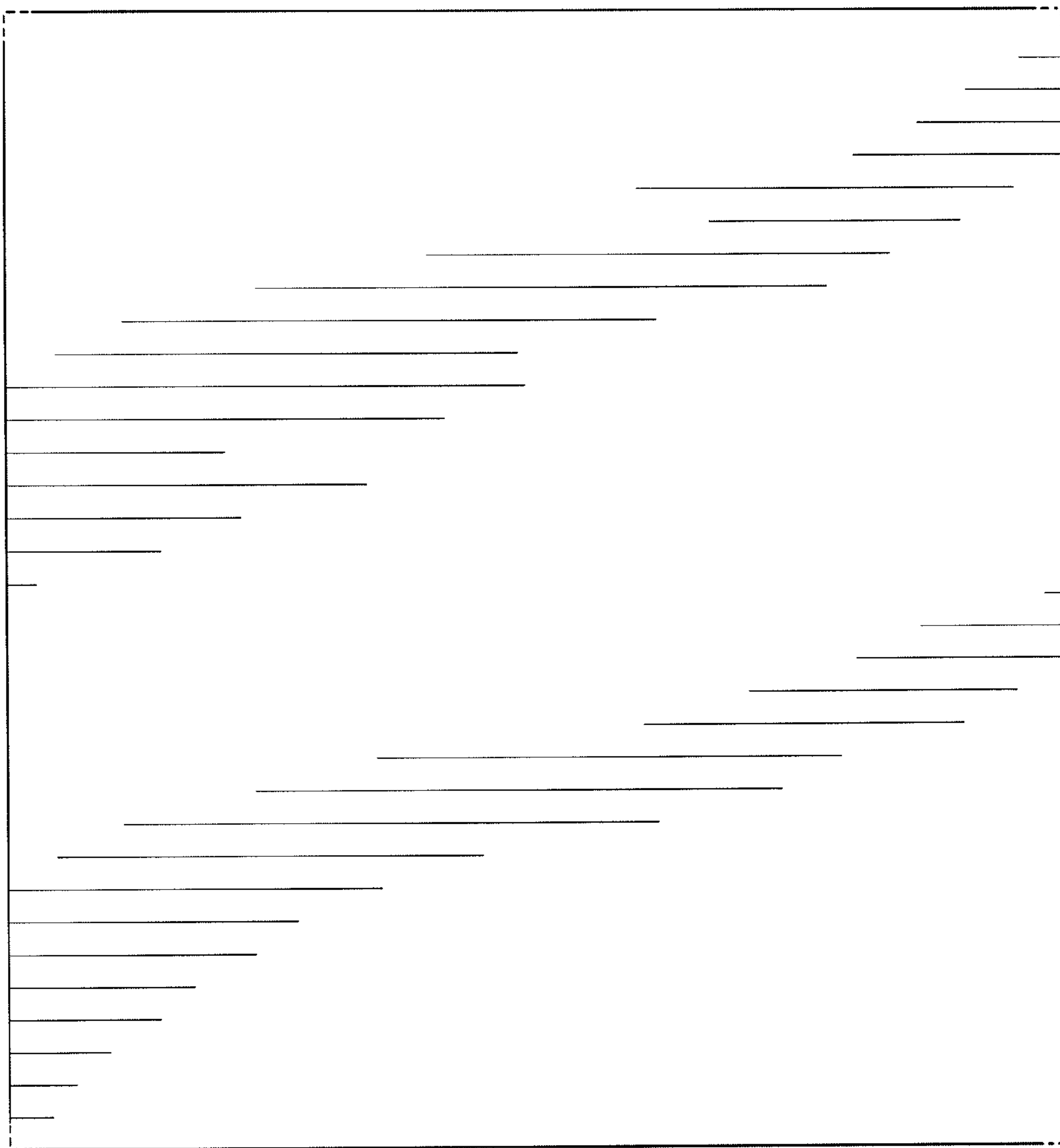


FIG. 7