



US00D636619S

(12) **United States Design Patent**
Murdock

(10) **Patent No.:** **US D636,619 S**

(45) **Date of Patent:** **** Apr. 26, 2011**

(54) **FURNITURE BASE**

(76) **Inventor:** **Sheldon Brent Murdock**, Statesville,
NC (US)

(**) **Term:** **14 Years**

(21) **Appl. No.:** **29/316,579**

(22) **Filed:** **Oct. 9, 2009**

(51) **LOC (9) Cl.** **06-06**

(52) **U.S. Cl.** **D6/499**

(58) **Field of Classification Search** D6/334-336,
D6/371-373, 374, 375, 376, 379, 380, 499,
D6/500-502; 297/239, 445.1, 446.1, 448.1,
297/448.2, 452.12, 452.18, 452.19, 452.2
See application file for complete search history.

(56) **References Cited**

U.S. PATENT DOCUMENTS

D180,203	S	*	4/1957	Shone	D6/499
3,276,818	A	*	10/1966	Dufree et al.	297/448.1
D417,795	S	*	12/1999	Rashid	D6/375
D463,149	S	*	9/2002	Levy	D6/375
D471,729	S	*	3/2003	Glass et al.	D6/375
D547,979	S	*	8/2007	Glass et al.	D6/500
D566,979	S	*	4/2008	Cox et al.	D6/375

D572,928	S	*	7/2008	Rittfeldt et al.	D6/375
D582,692	S	*	12/2008	Kerr	D6/375
2002/0047298	A1	*	4/2002	Brauning	297/448.1

* cited by examiner

Primary Examiner — Mimoso De

(74) *Attorney, Agent, or Firm* — Schwartz Law Firm, P.C.

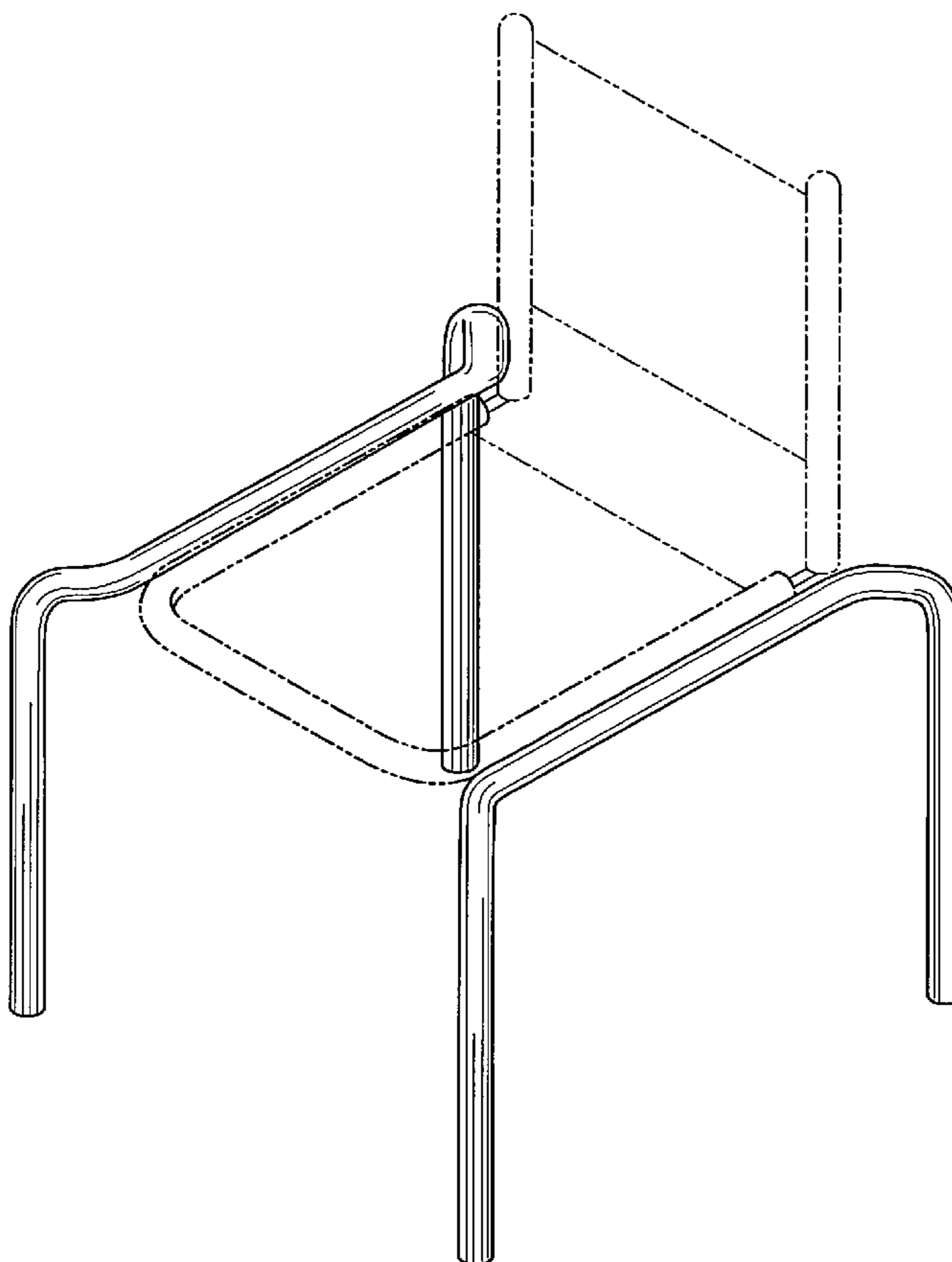
(57) **CLAIM**

I claim the ornamental design for a furniture base, as shown and described.

DESCRIPTION

FIG. 1 is a perspective view of the furniture base; the structure shown in phantom forming no part of the claimed design; FIG. 2 is a top view of the furniture base; the structure shown in phantom forming no part of the claimed design; FIG. 3 is a bottom view of the furniture base; the structure shown in phantom forming no part of the claimed design; FIG. 4 is a left side view of the furniture base, the right side view being a mirror image thereof; and the structure shown in phantom forming no part of the claimed design; FIG. 5 is a front view of the furniture base; the structure shown in phantom forming no part of the claimed design; and, FIG. 6 is a back view of the furniture base; the structure shown in phantom forming no part of the claimed design.

1 Claim, 6 Drawing Sheets



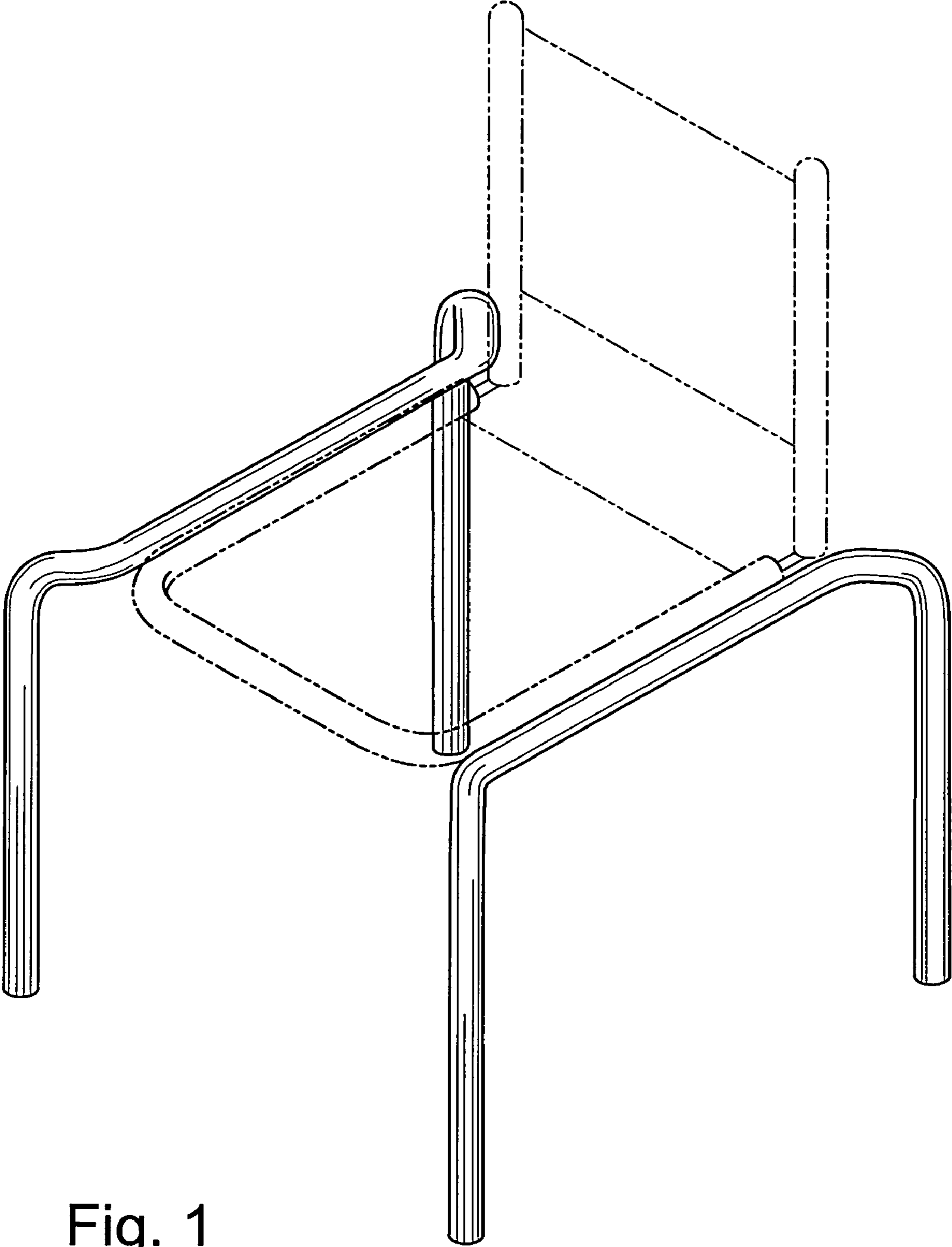


Fig. 1

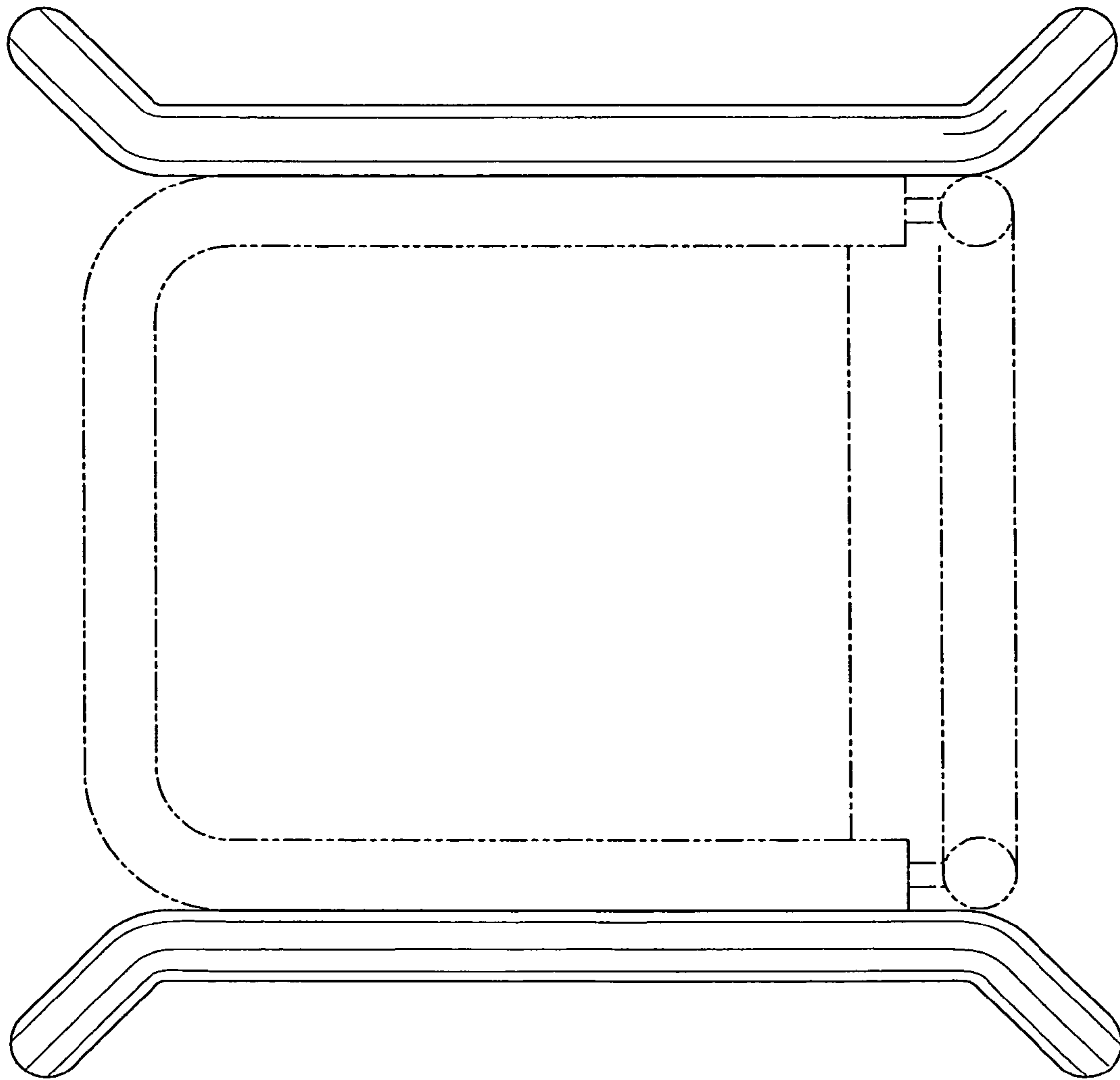


Fig. 2

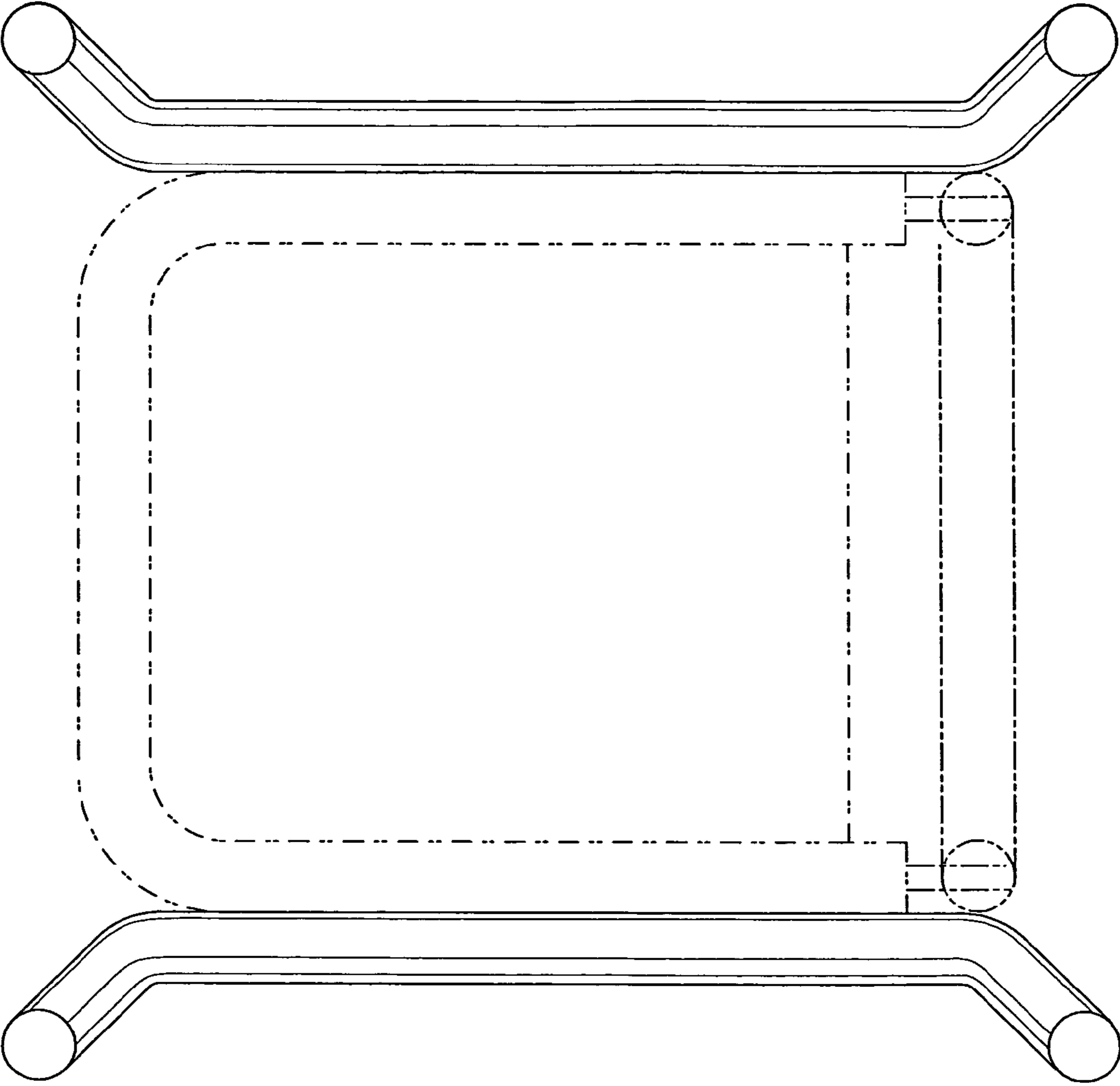


Fig. 3

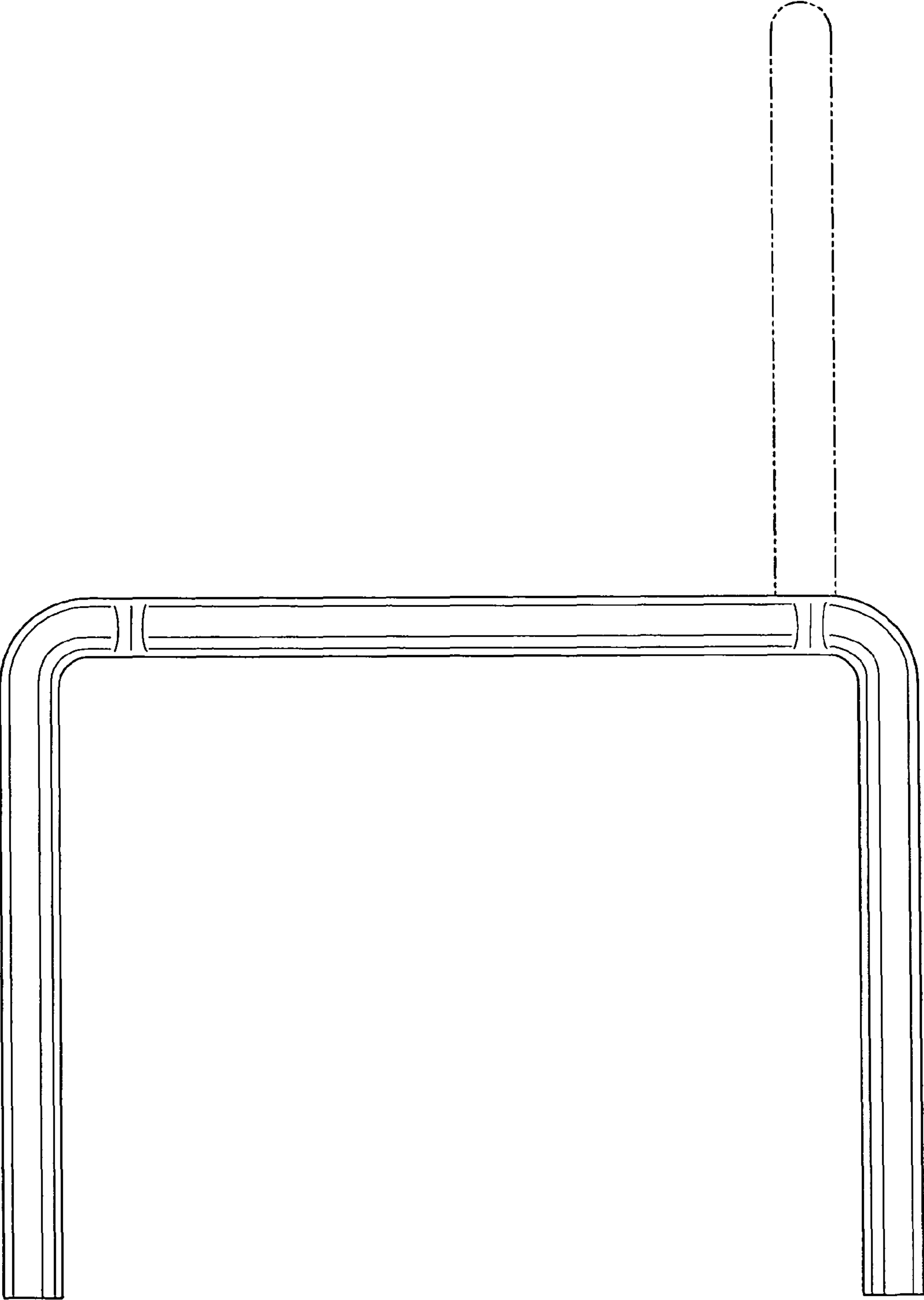


Fig. 4

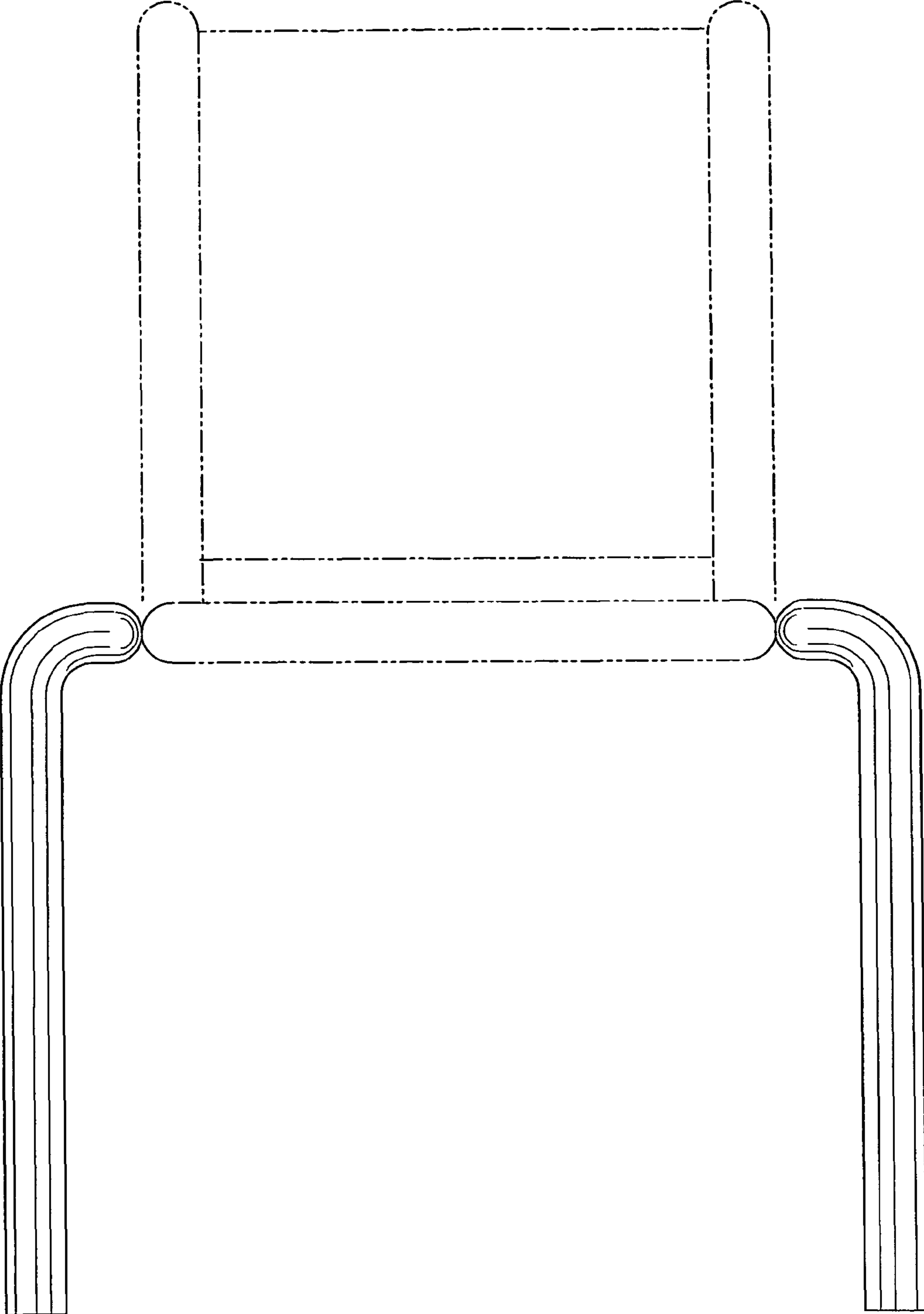


Fig. 5

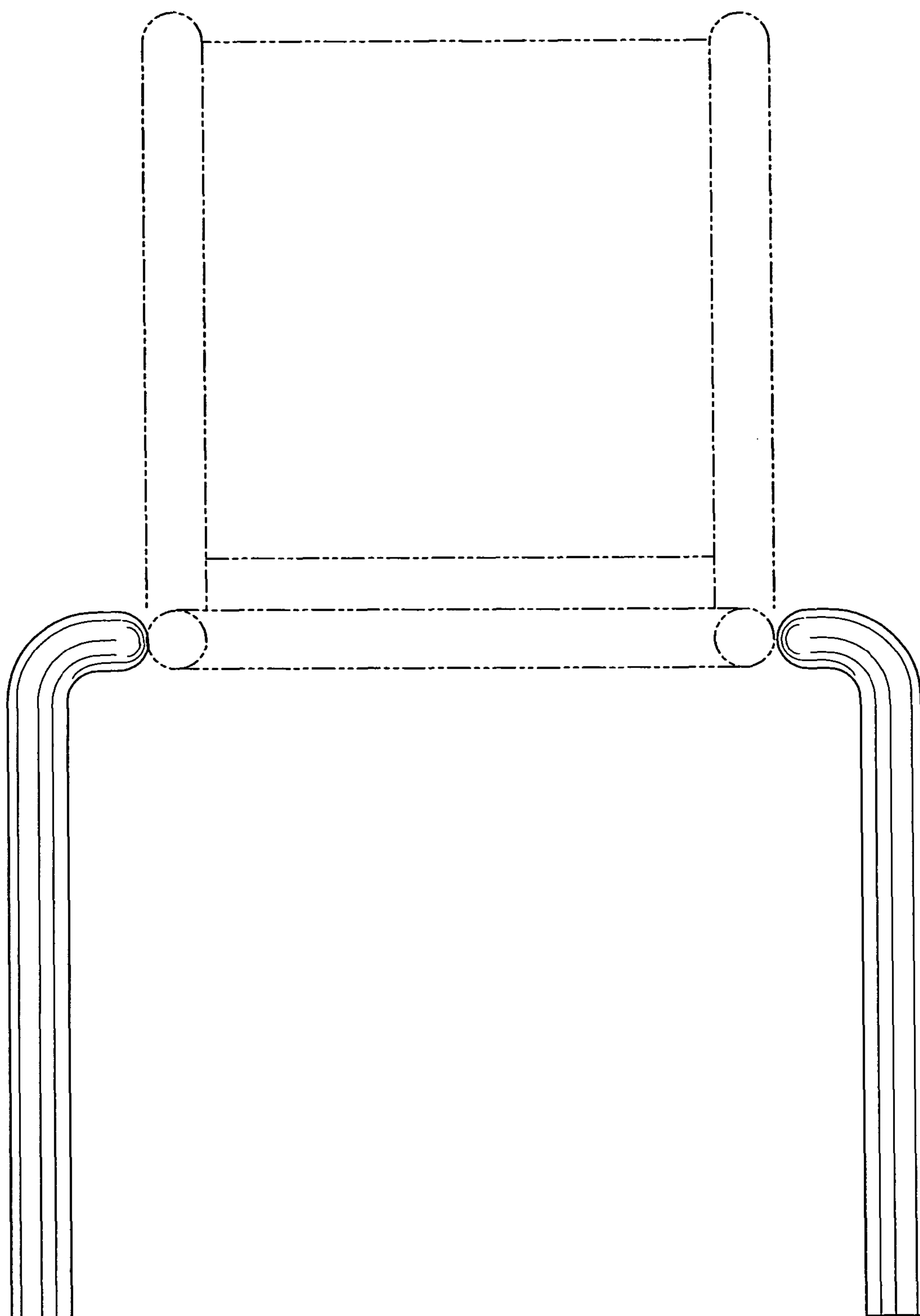


Fig. 6