

US00D636618S

(12) **United States Design Patent**
Kundinger, Jr. et al.

(10) **Patent No.:** **US D636,618 S**
(45) **Date of Patent:** **** Apr. 26, 2011**

(54) **COLLAPSIBLE BASKET FRAME KIT**

(Continued)

(75) Inventors: **Robert P. Kundinger, Jr.**, Deland, FL (US); **Gregory Rojas**, Ocala, FL (US); **Andrew B. Cizmar**, Ocala, FL (US); **Scott Davis**, Ocala, FL (US)

OTHER PUBLICATIONS

EC21 Global B2B Marketpalce (2010), "Sell drawer basket", retrieved online Jan. 22, 2010 from http://www.ec21.com/offer_detail/Sell_drawer_basket--8722238.html (3 pages).

(73) Assignee: **Clairson, Inc.**, Newark, DE (US)

(Continued)

(**) Term: **14 Years**

Primary Examiner — Elizabeth Albert
Assistant Examiner — Kelley Donnelly

(21) Appl. No.: **29/362,582**

(74) *Attorney, Agent, or Firm* — Harness, Dickey & Pierce, P.L.C.

(22) Filed: **May 27, 2010**

Related U.S. Application Data

(63) Continuation of application No. 12/782,807, filed on May 19, 2010.

(51) **LOC (9) Cl.** **06-06**

(52) **U.S. Cl.** **D6/495**

(58) **Field of Classification Search** D6/411,
D6/467, 492, 495–496, 499, 509; 211/59.1,
211/13.1, 90.02, 90.04, 96, 103, 182–183,
211/186–187, 189, 190, 207; 248/214, 225.11,
248/236, 239, 340
See application file for complete search history.

(57) **CLAIM**

The ornamental design for a collapsible basket frame kit, as shown and described.

DESCRIPTION

FIG. 1 is a perspective view of a collapsible basket frame kit, showing our design;
FIG. 2 is a back perspective view thereof;
FIG. 3 is a right side elevation view thereof;
FIG. 4 is a left side elevation view thereof;
FIG. 5 is a front elevation view thereof;
FIG. 6 is a back elevation view thereof;
FIG. 7 is a top plan view thereof;
FIG. 8 is a bottom plan view thereof;
FIG. 9 is a perspective view showing an example in which the collapsible basket frame kit is supporting exemplary runners or slide channels; and,
FIG. 10 is a perspective view showing an example in which the collapsible basket frame kit is supporting exemplary baskets or drawers.
In the drawings, the broken lines depict environmental subject matter only for illustrative purposes and form no part of the claimed design. In FIGS. 1 through 6, the separation and bracket are used to indicate indeterminate length.

(56) **References Cited**

U.S. PATENT DOCUMENTS

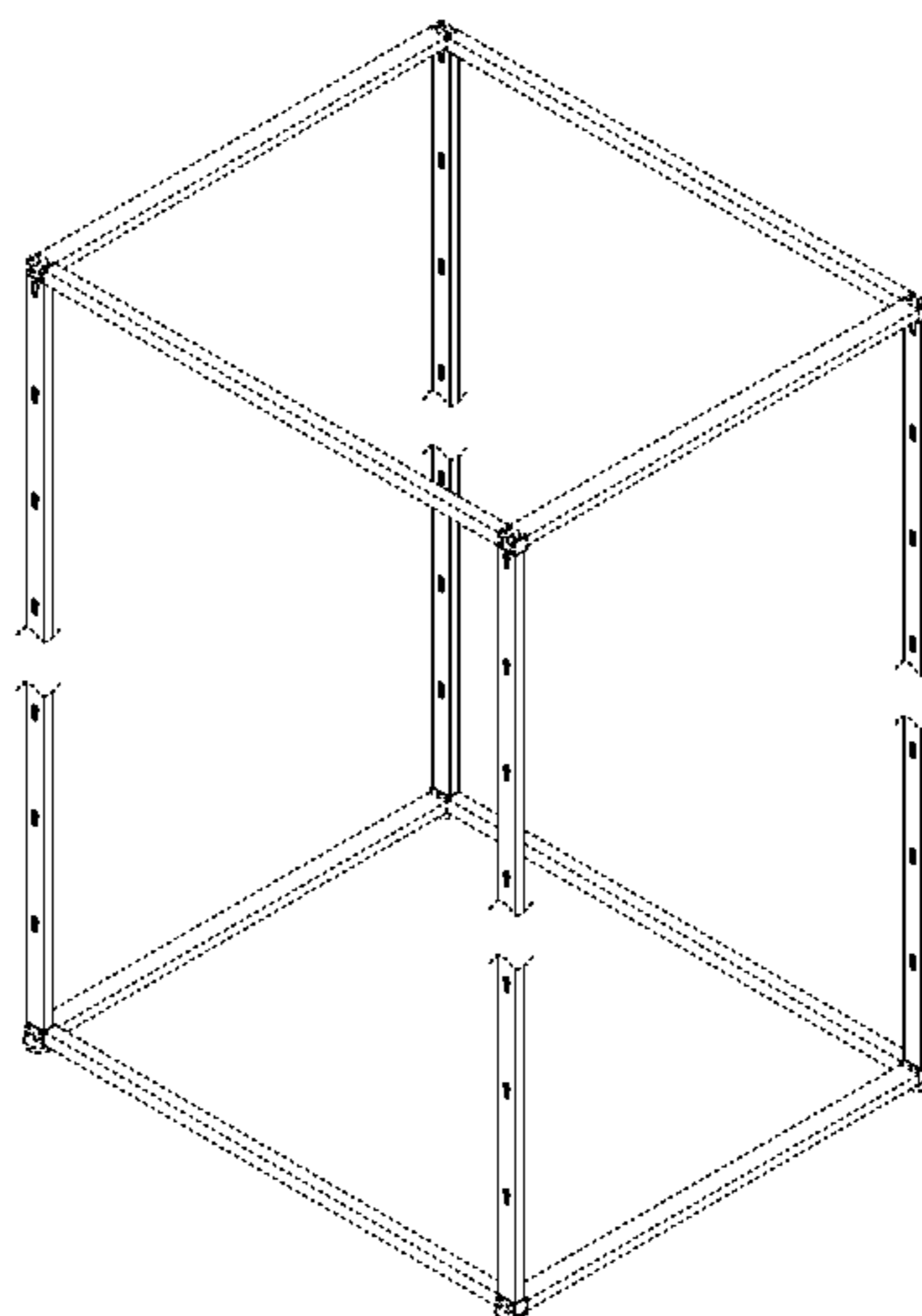
2,665,869	A *	1/1954	Samuels	248/214
2,956,688	A *	10/1960	Galassi	108/108
2,991,889	A *	7/1961	Levy et al.	211/190
4,078,664	A *	3/1978	McConnell	211/189
4,173,934	A	11/1979	Searby		
4,720,016	A *	1/1988	Kay	211/96
5,180,068	A *	1/1993	Vargo	211/191
5,463,966	A	11/1995	Nilsson		
5,526,941	A *	6/1996	Ford	211/59.1
5,553,549	A	9/1996	Nilsson		

(Continued)

FOREIGN PATENT DOCUMENTS

AU 0675218 11/1993

1 Claim, 10 Drawing Sheets



US D636,618 S

Page 2

U.S. PATENT DOCUMENTS

5,845,794 A * 12/1998 Highsmith 211/189
5,918,750 A * 7/1999 Jackson 211/189
5,961,243 A * 10/1999 Michaluk, III 403/260
6,006,925 A * 12/1999 Sevier 211/26
6,019,446 A * 2/2000 Laboch et al. 312/265.1
6,021,909 A * 2/2000 Tang et al. 211/183
6,085,918 A * 7/2000 Duff et al. 211/191
6,206,494 B1 * 3/2001 Benner et al. 312/265.4
6,273,534 B1 8/2001 Bueley et al.
6,467,860 B2 10/2002 Remmers
D466,331 S * 12/2002 Chang D6/411
6,585,120 B2 * 7/2003 Robertson 211/59.2
6,609,621 B2 * 8/2003 Denny et al. 211/189
6,626,509 B2 9/2003 Remmers
6,681,705 B2 * 1/2004 Wetterberg 108/155
6,860,456 B2 * 3/2005 Magnusson 248/215
6,932,225 B2 * 8/2005 Rowe 211/90.02
7,108,143 B1 9/2006 Lin
7,178,680 B2 2/2007 Botner
7,506,772 B2 * 3/2009 Chen 211/103
D602,713 S * 10/2009 Stukenberg D6/466
D613,977 S * 4/2010 Peota et al. D6/509
D617,069 S * 6/2010 Munson D32/55
7,744,178 B2 * 6/2010 Bridges et al. 312/334.47
7,748,546 B2 * 7/2010 Konstant 211/191
7,753,220 B2 * 7/2010 Konstant 211/191
D622,084 S * 8/2010 Stukenberg et al. D6/467
7,810,653 B2 * 10/2010 Schmidtke et al. 211/26

7,815,556 B1 * 10/2010 Bauer 482/129
7,827,940 B2 * 11/2010 Silverman 119/474
7,857,267 B2 * 12/2010 Watts 248/200
2003/0155319 A1 * 8/2003 Wishart et al. 211/189
2004/0007550 A1 * 1/2004 Leeman et al. 211/189
2004/0094496 A1 * 5/2004 MacDonald 211/189
2005/0145588 A1 * 7/2005 Stitchick et al. 211/183
2006/0213843 A1 9/2006 Botner
2009/0178983 A1 * 7/2009 Green et al. 211/13.1

FOREIGN PATENT DOCUMENTS

CA	1085778	9/1980
CA	1576263	10/1980
CA	2064656	10/1993
CA	2075320	2/1994
CA	2311840	5/2001
EP	0633742	6/1996
GB	1576263	10/1980
GB	2356029	5/2003
JP	53-53473	5/1978

OTHER PUBLICATIONS

Matthew Comfort Company Ltd. (2010), "Rack", retrieved online Jan. 22, 2010 from <http://matthew.manufacturer.globalsources.com/si/6008802191703/pdtl/Kitchen-cart/1007080049/Rack.htm> (4 pages).

* cited by examiner

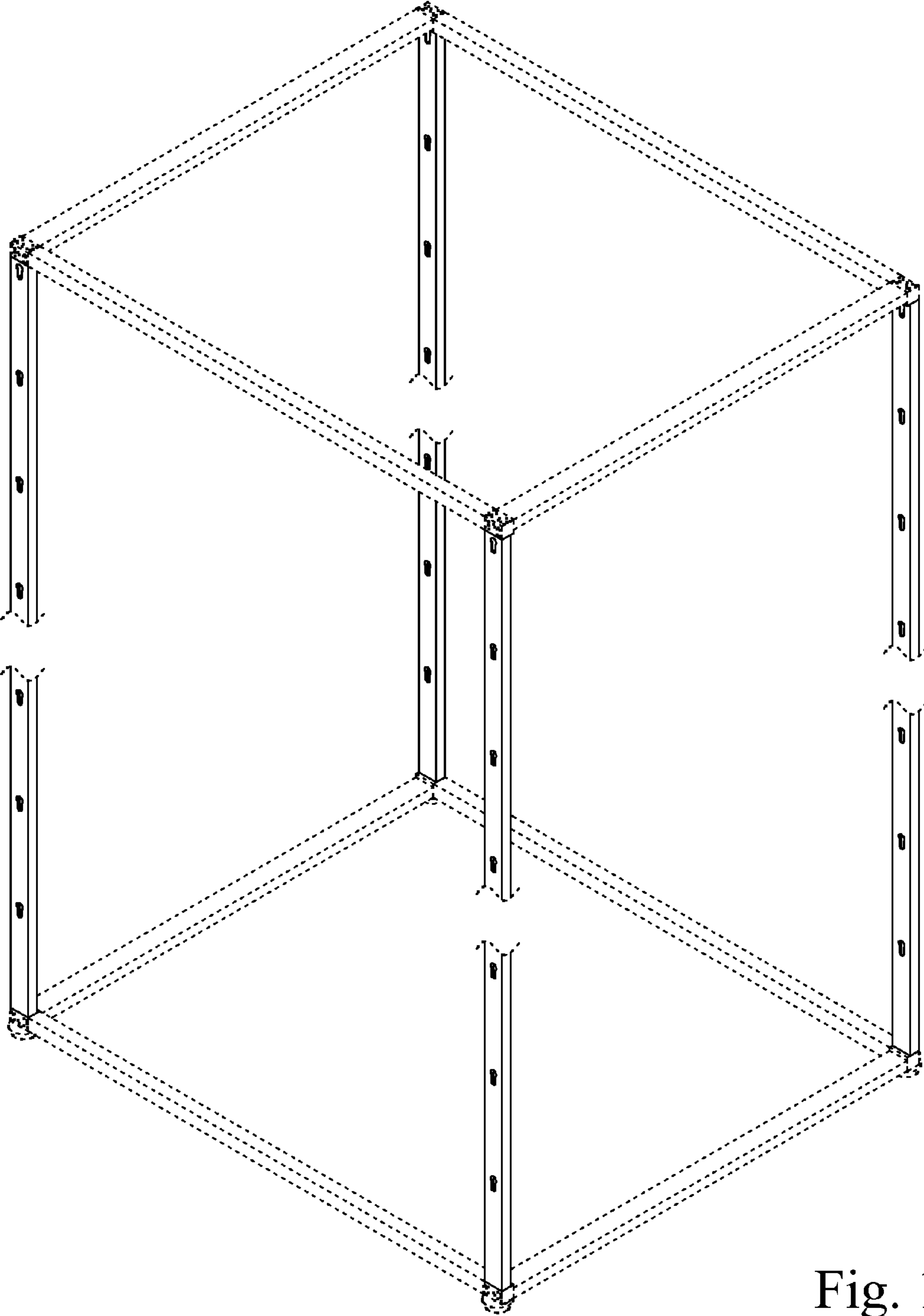


Fig. 1

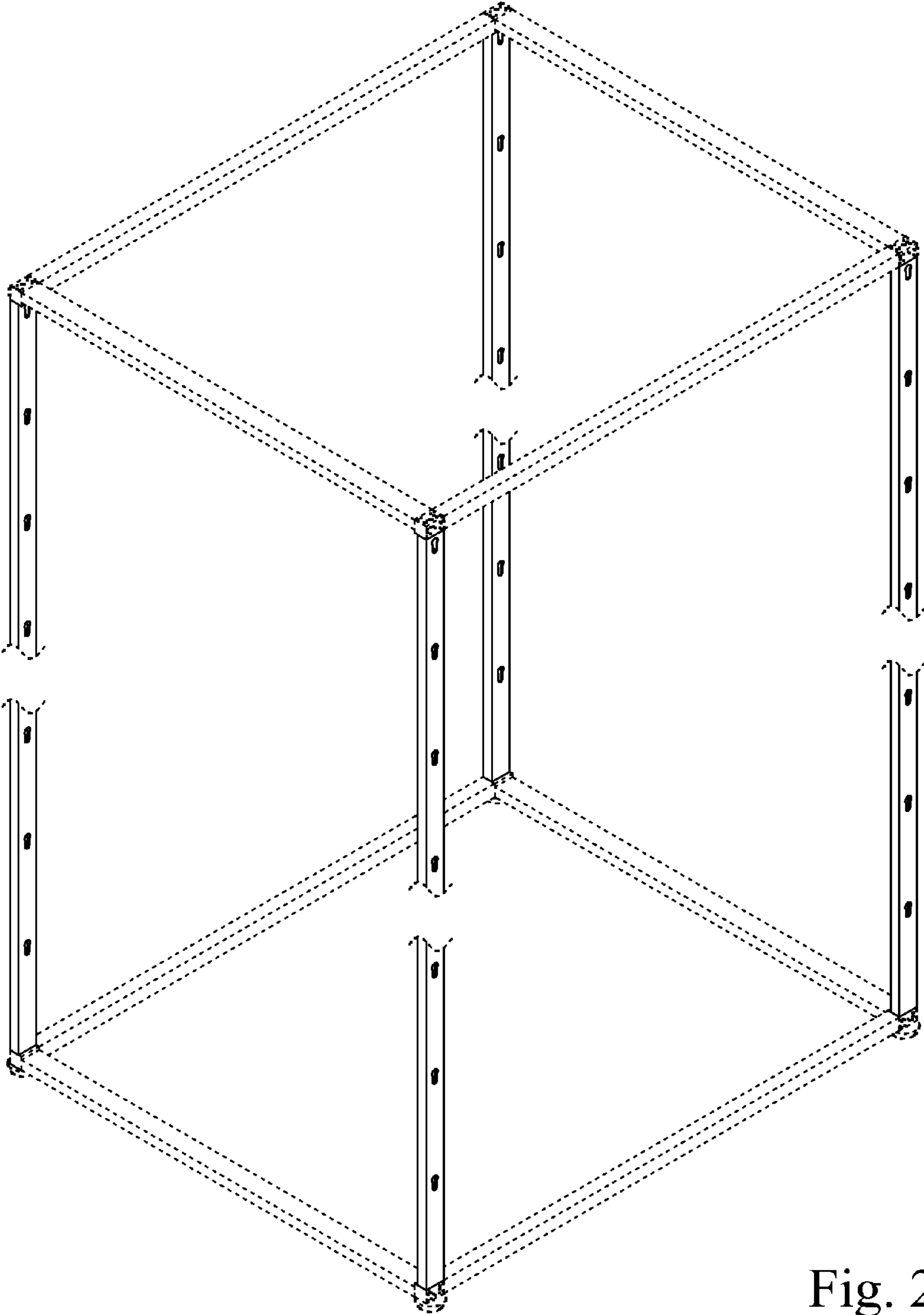


Fig. 2

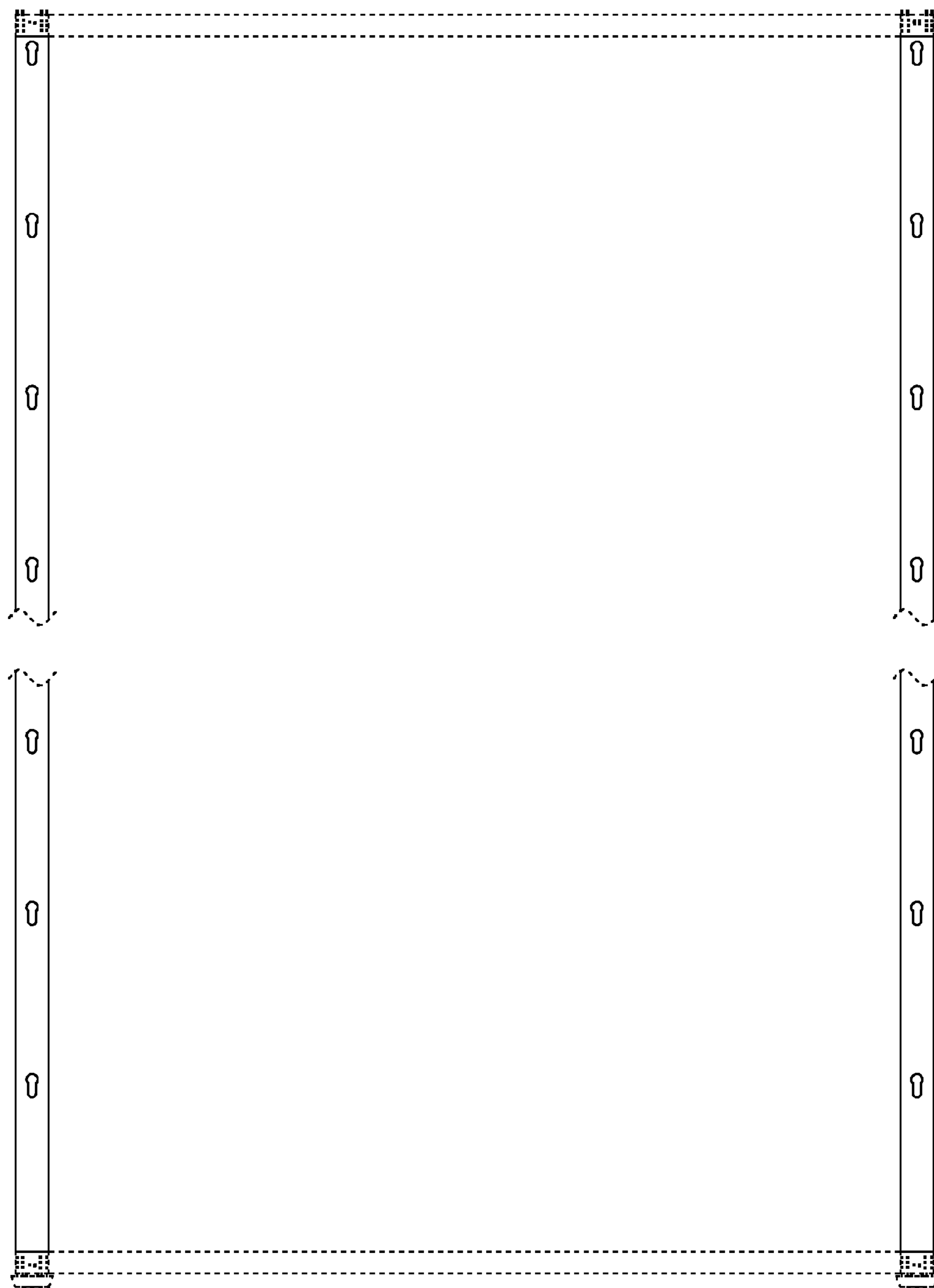


Fig. 3

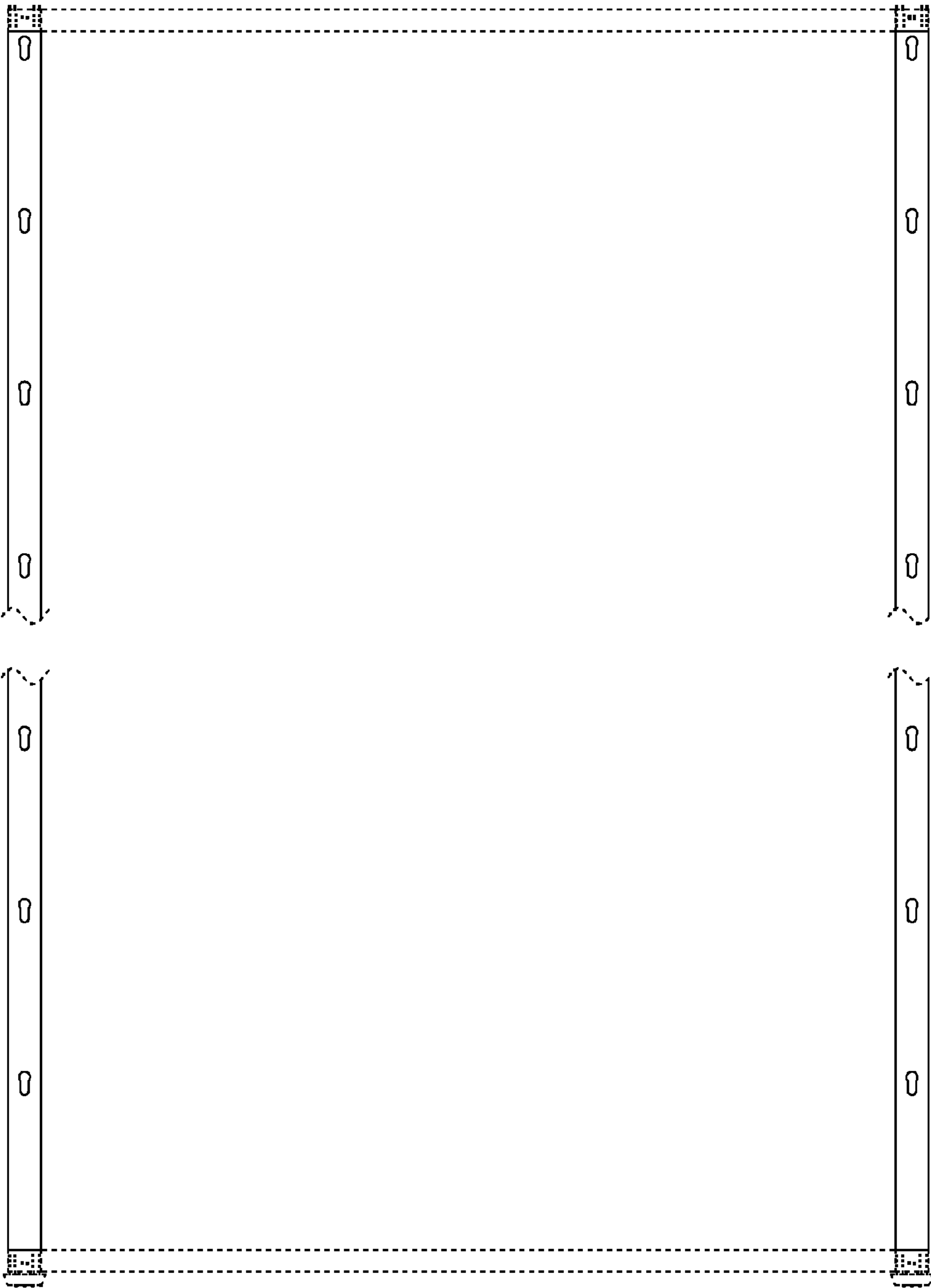


Fig. 4

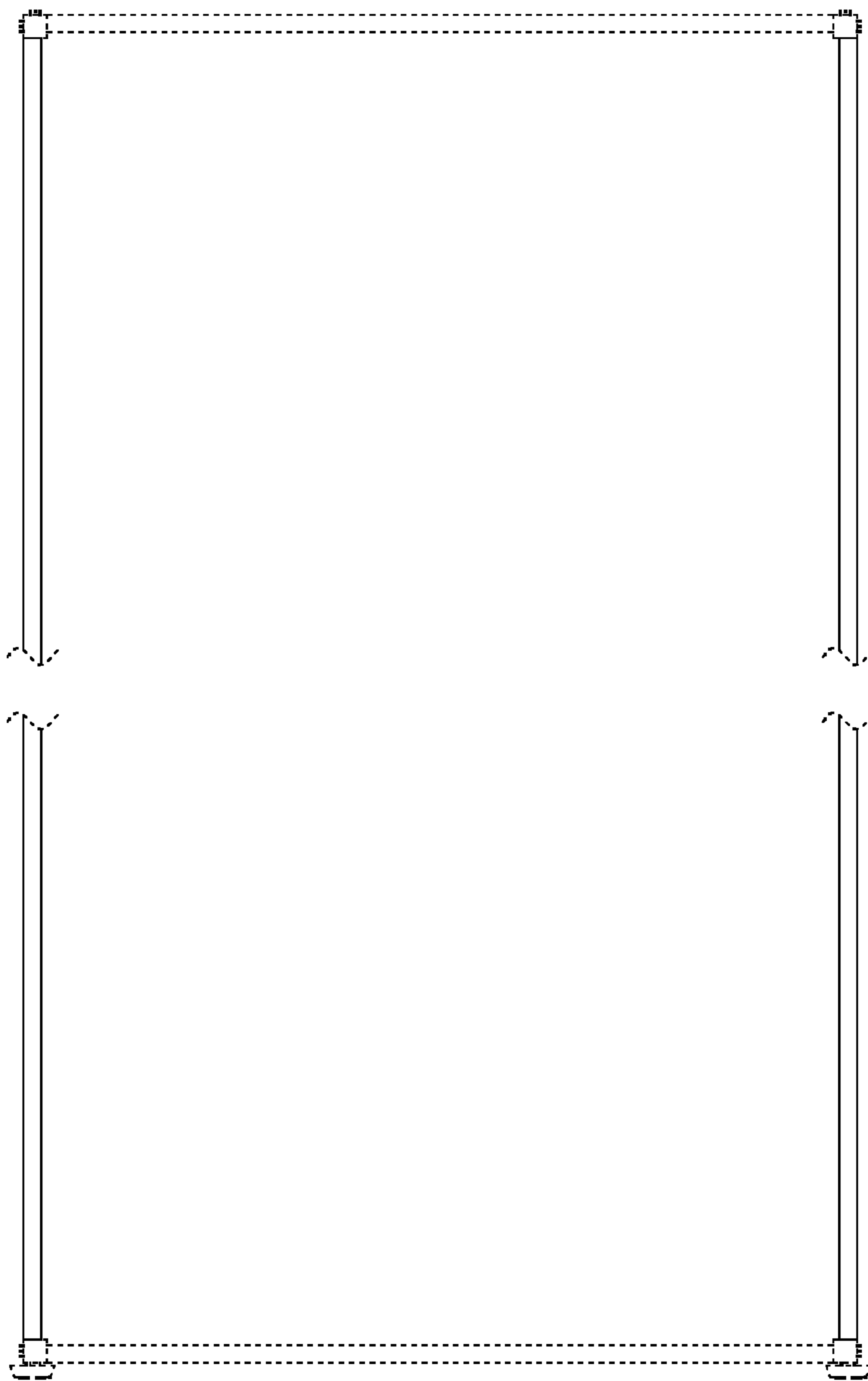


Fig. 5

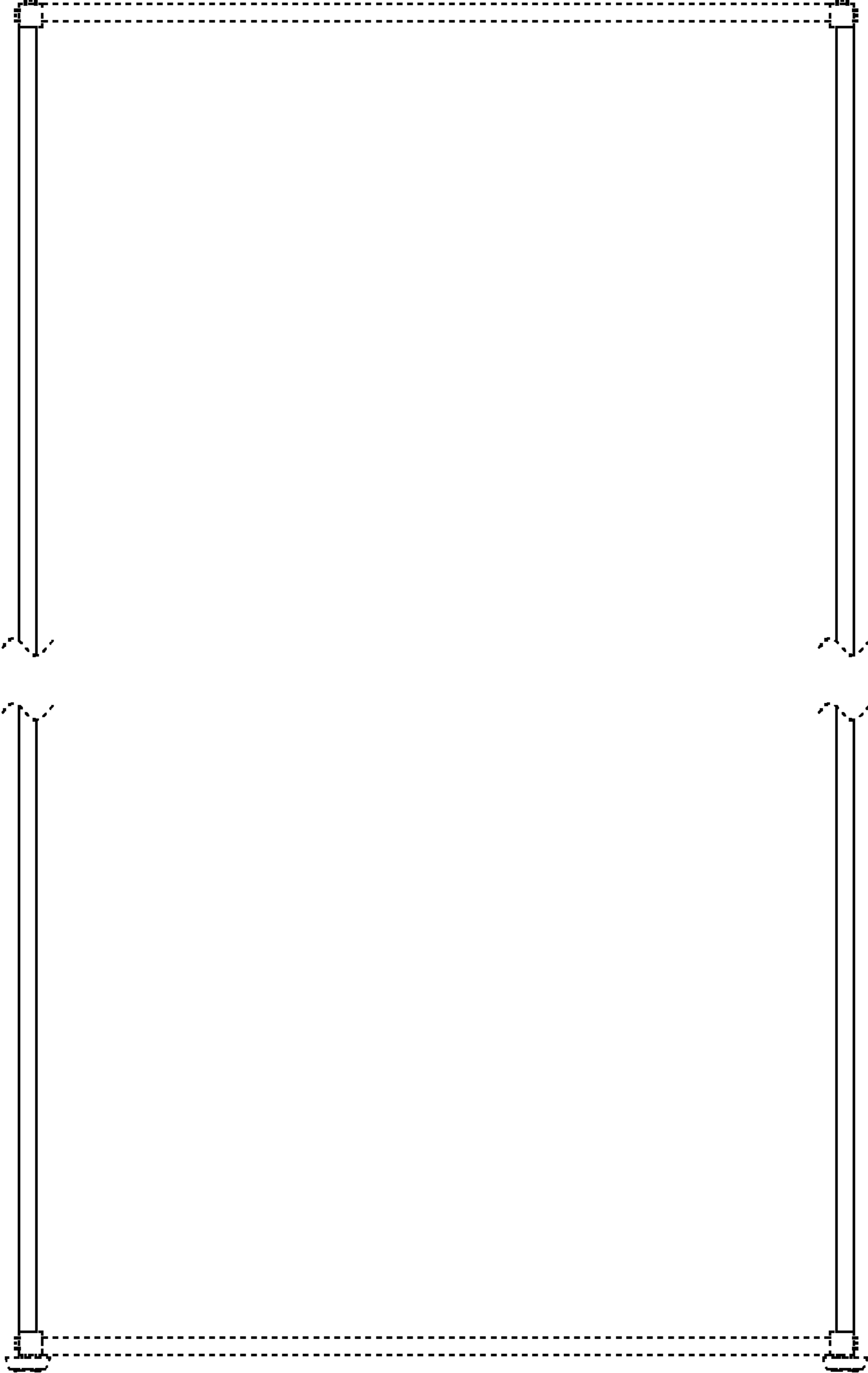


Fig. 6

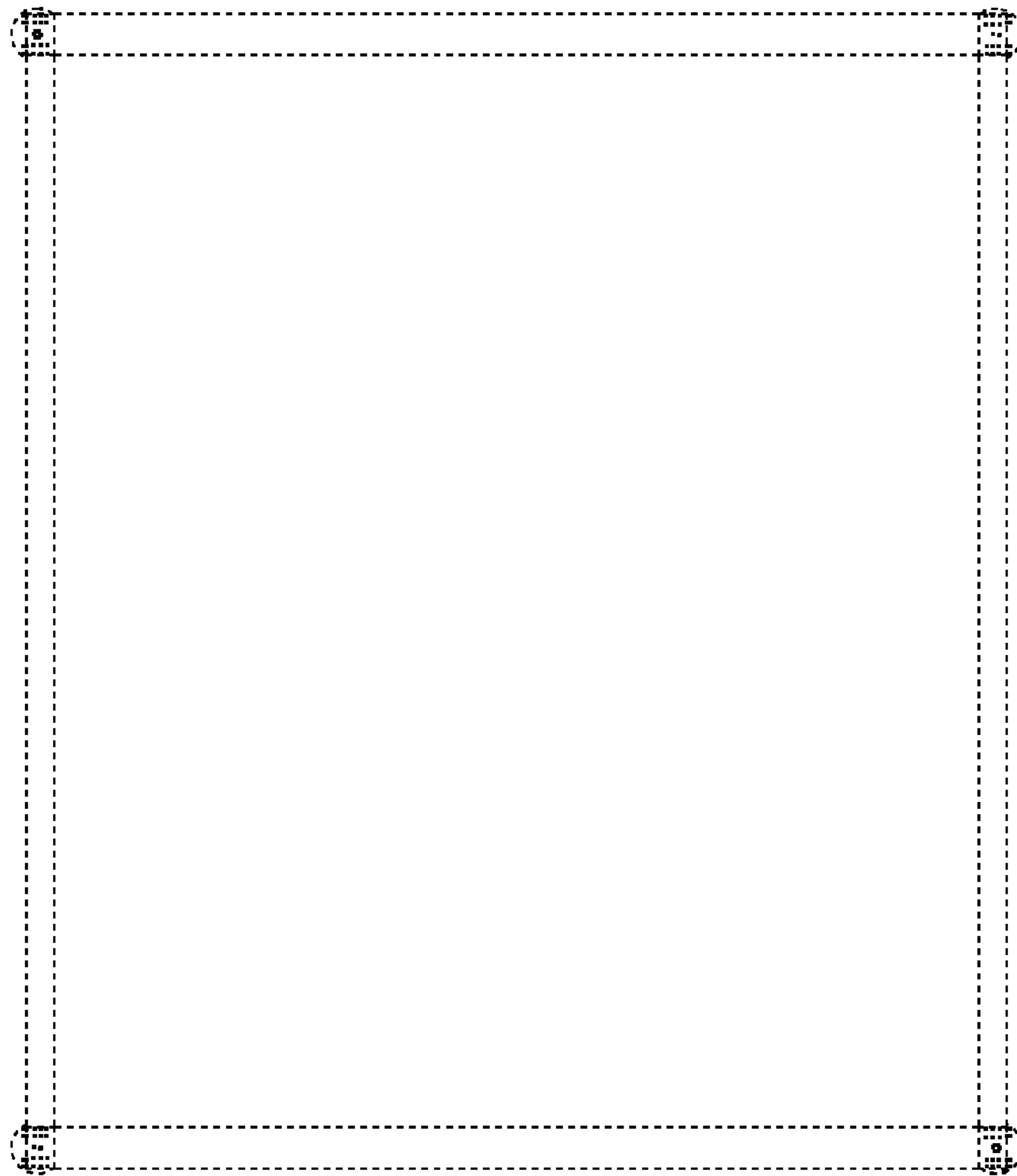


Fig. 7

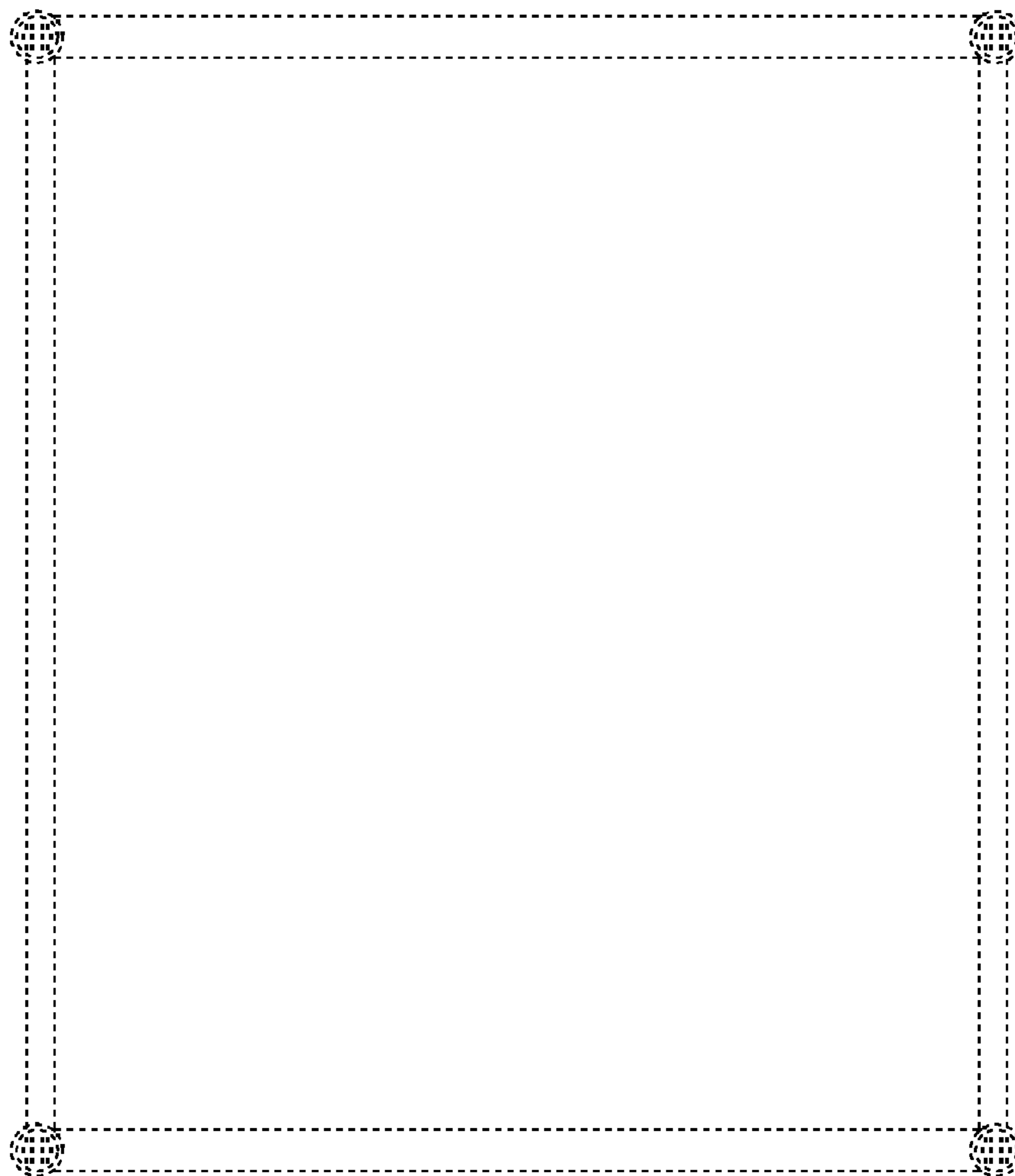


Fig. 8

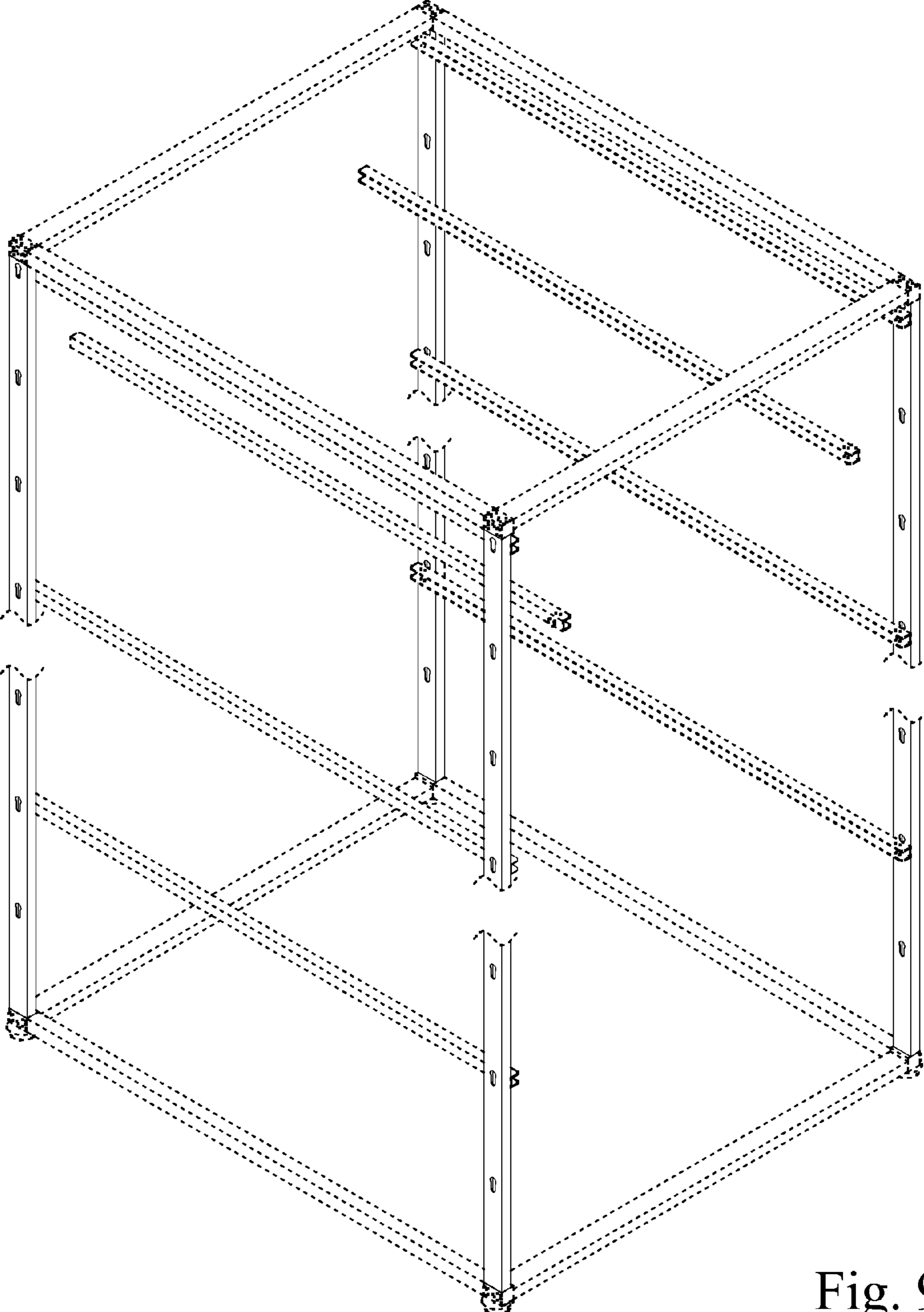


Fig. 9

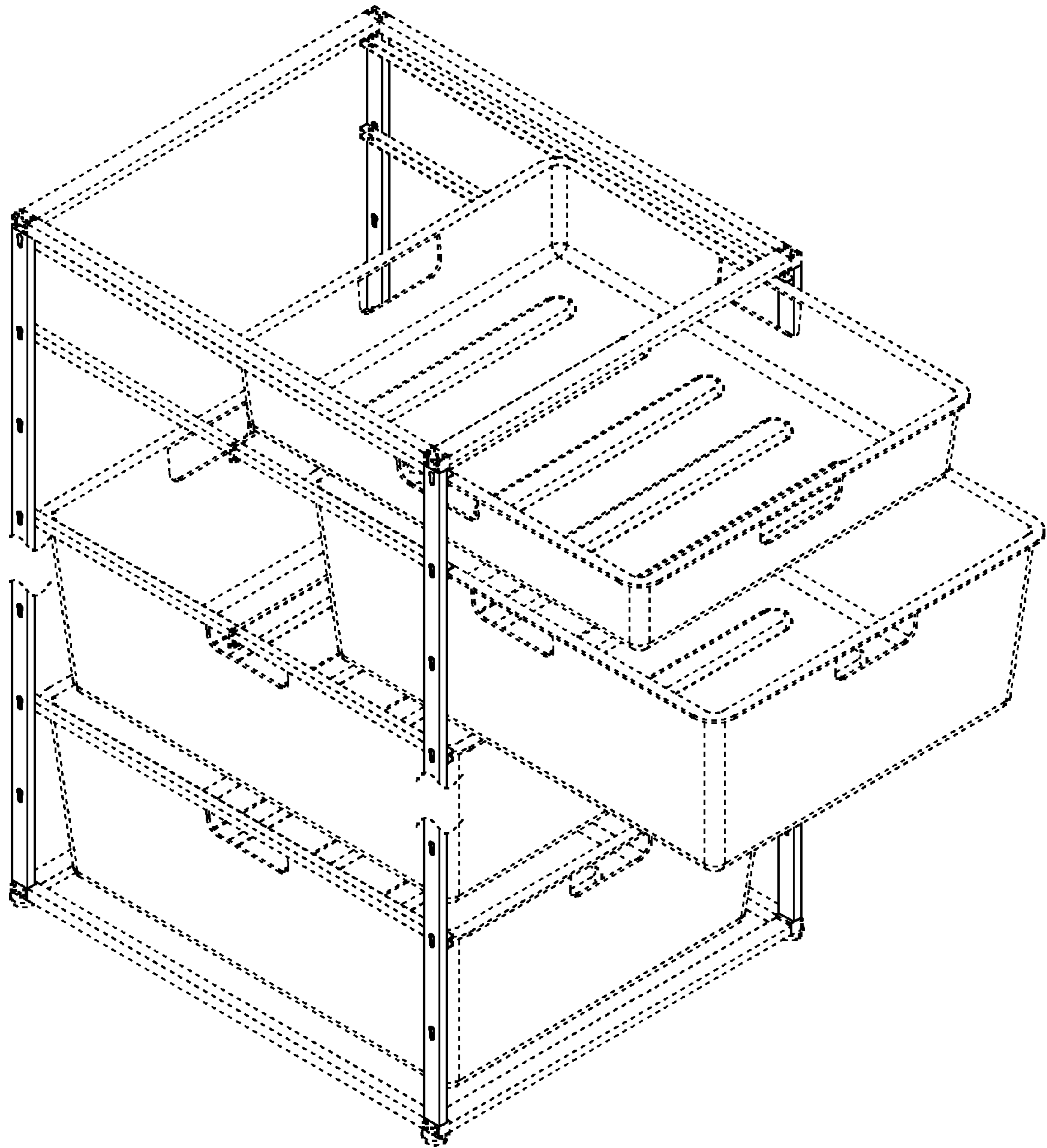


Fig. 10