



US00D636616S

(12) **United States Design Patent**  
**Clark et al.**

(10) **Patent No.:** **US D636,616 S**  
(45) **Date of Patent:** **\*\* Apr. 26, 2011**

- (54) **MERCHANDISER DISPLAY**
- (75) Inventors: **Dina Clark**, York, PA (US); **Jeff Blum**, Windsor, PA (US)
- (73) Assignee: **McCormick & Company, Incorporated**, Sparks, MD (US)
- (\*\*) Term: **14 Years**
- (21) Appl. No.: **29/377,045**
- (22) Filed: **Oct. 15, 2010**

**Related U.S. Application Data**

- (62) Division of application No. 29/305,440, filed on Mar. 20, 2008.
- (51) **LOC (9) Cl.** ..... **06-06**
- (52) **U.S. Cl.** ..... **D6/476**
- (58) **Field of Classification Search** ..... D6/407, D6/436, 449, 466-467, 400, 473, 476, 510, D6/629; D28/61, 73; D3/313; 108/25-26, 108/44, 90; 206/373; 211/74, 153; 312/291, 312/308, 348.3, 902  
See application file for complete search history.

(56) **References Cited**

**U.S. PATENT DOCUMENTS**

1,746,137	A	2/1930	Winter	
2,057,617	A	10/1936	Keith	
3,704,792	A	12/1972	Wiese	
D253,213	S	10/1979	Hudik et al.	
D270,549	S *	9/1983	Burton et al.	D19/76
D297,082	S	8/1988	Binder et al.	
4,923,070	A	5/1990	Jackle et al.	
4,925,038	A	5/1990	Gajewski	
D317,094	S	5/1991	Weinberg et al.	
5,097,962	A	3/1992	Eklof et al.	
D330,219	S *	10/1992	Carlson et al.	D19/77
D354,310	S *	1/1995	Crist et al.	D19/75
D359,179	S *	6/1995	Cucinotta	D6/449
D379,042	S *	5/1997	Meisner et al.	D6/510

D385,920	S *	11/1997	Tisbo	D19/75
5,749,478	A	5/1998	Ellis	
D395,769	S	7/1998	Reeves	
D398,078	S *	9/1998	Hsu	D28/73
D401,015	S *	11/1998	Sussman	D28/61
6,068,139	A	5/2000	Brozak, Jr.	
6,173,845	B1	1/2001	Higgins et al.	
6,227,386	B1	5/2001	Close	
D446,968	S	8/2001	Spencer	
D459,078	S *	6/2002	Tondino	D3/313
D465,349	S	11/2002	Sharpton, III	
D467,698	S *	12/2002	Holbrook	D34/27
D473,073	S	4/2003	Kettering et al.	
D485,460	S	1/2004	Bidwell et al.	
D495,367	S *	8/2004	Stravitz	D19/75
D509,249	S *	9/2005	Nelson et al.	D19/75
6,964,235	B2	11/2005	Hardy	
D525,308	S *	7/2006	Lara	D19/92
D531,226	S *	10/2006	Chen et al.	D19/78
7,124,898	B2	10/2006	Richter et al.	

(Continued)

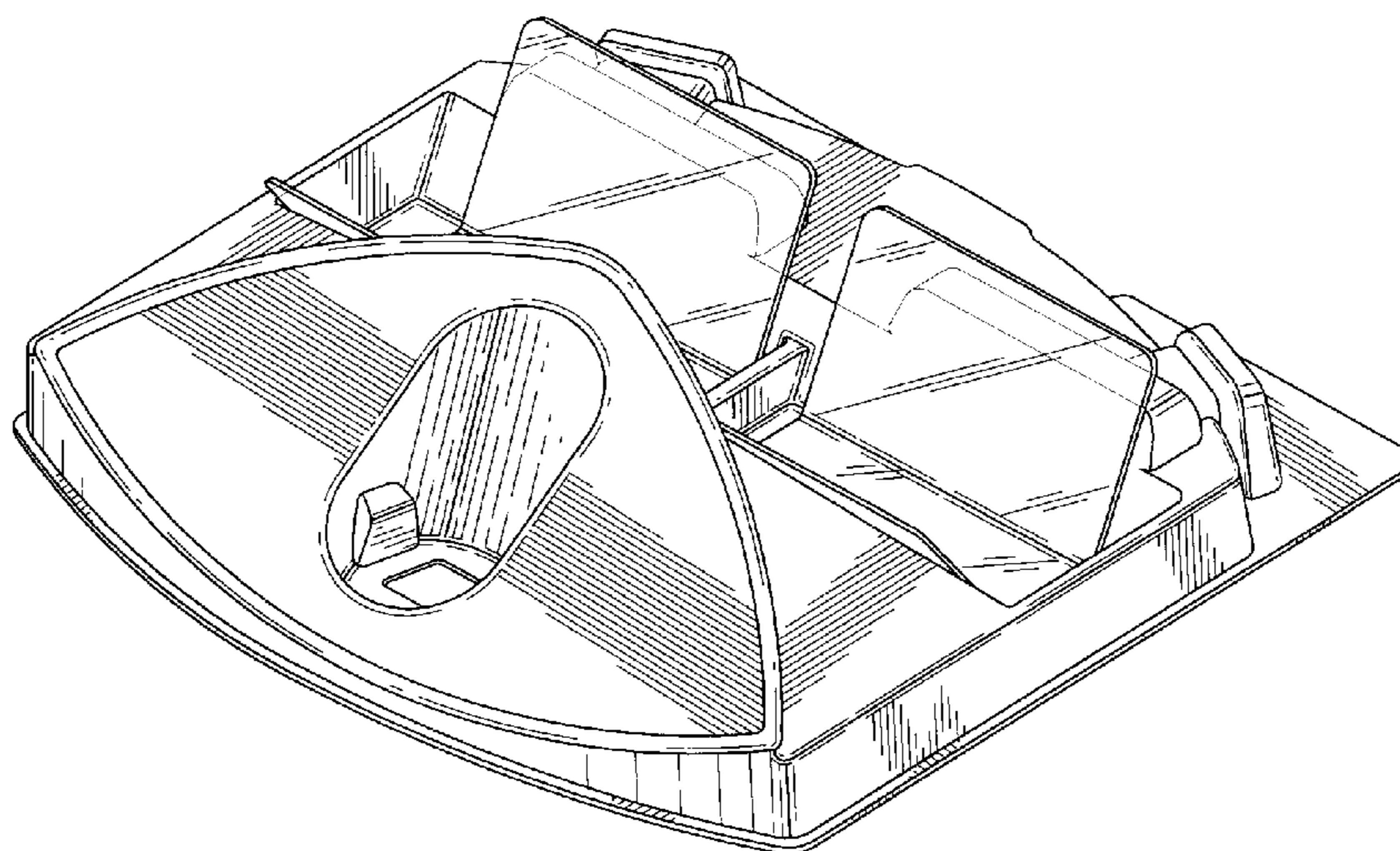
*Primary Examiner* — Elizabeth A Albert  
*Assistant Examiner* — Kelley A Donnelly  
(74) *Attorney, Agent, or Firm* — Oblon, Spivak, McClelland, Maier & Neustadt, L.L.P.

(57) **CLAIM**  
The ornamental design for a merchandiser display, as shown and described.

**DESCRIPTION**

FIG. 1. is top and right front perspective view of the merchandiser display  
FIG. 2. is front elevational view thereof;  
FIG. 3. is right side elevational view thereof, the left side elevational view being a mirror image of the side view shown;  
FIG. 4 is a top plan view thereof; and,  
FIG. 5 is a rear elevational view thereof.  
The broken lines are for the purpose of illustrating the environment of the design only and form no part of the claimed design.

**1 Claim, 5 Drawing Sheets**



# US D636,616 S

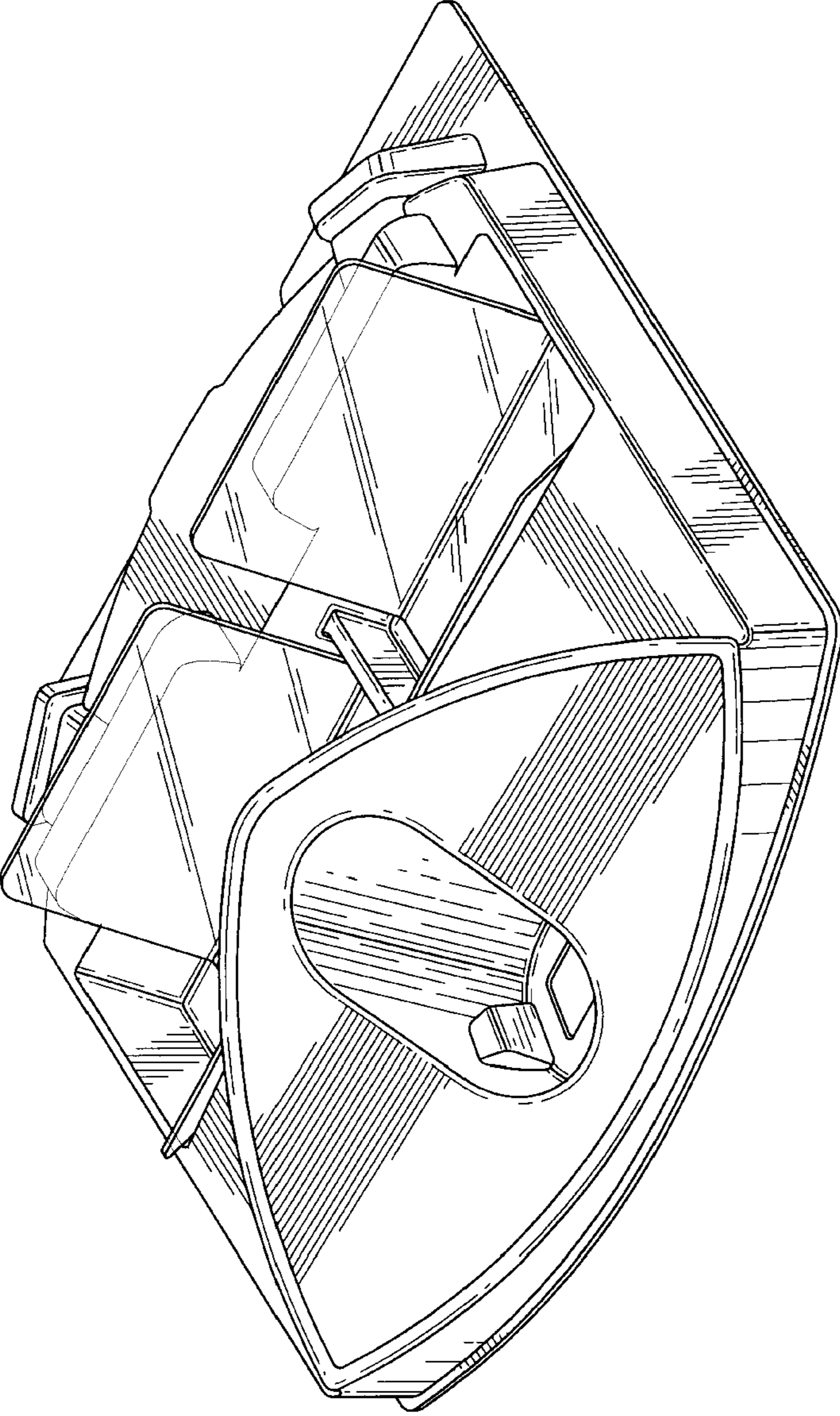
Page 2

---

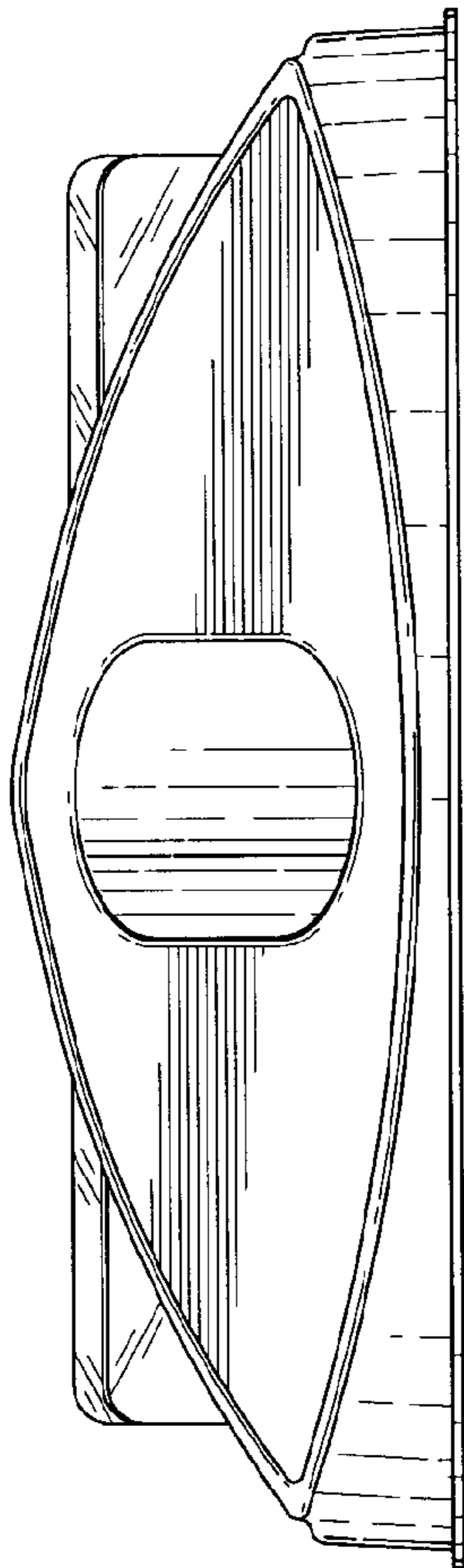
## U.S. PATENT DOCUMENTS

D536,659 S	2/2007	Panasewicz et al.		D585,216 S	1/2009	Colin	
7,182,209 B2	2/2007	Squitieri		D585,494 S *	1/2009	Yoshikawa .....	D19/78
7,207,447 B2	4/2007	Medcalf et al.		D607,235 S *	1/2010	Chue .....	D6/466
D544,251 S	6/2007	Daugherty et al.		7,690,519 B2	4/2010	Kahl et al.	
D564,030 S *	3/2008	Trombley .....	D19/78	D614,896 S	5/2010	Stifal	
D581,465 S *	11/2008	Bhavnani .....	D19/65	2006/0196840 A1	9/2006	Jay et al.	
D583,599 S *	12/2008	Nielsen .....	D6/510	2008/0169256 A1	7/2008	Shetler	

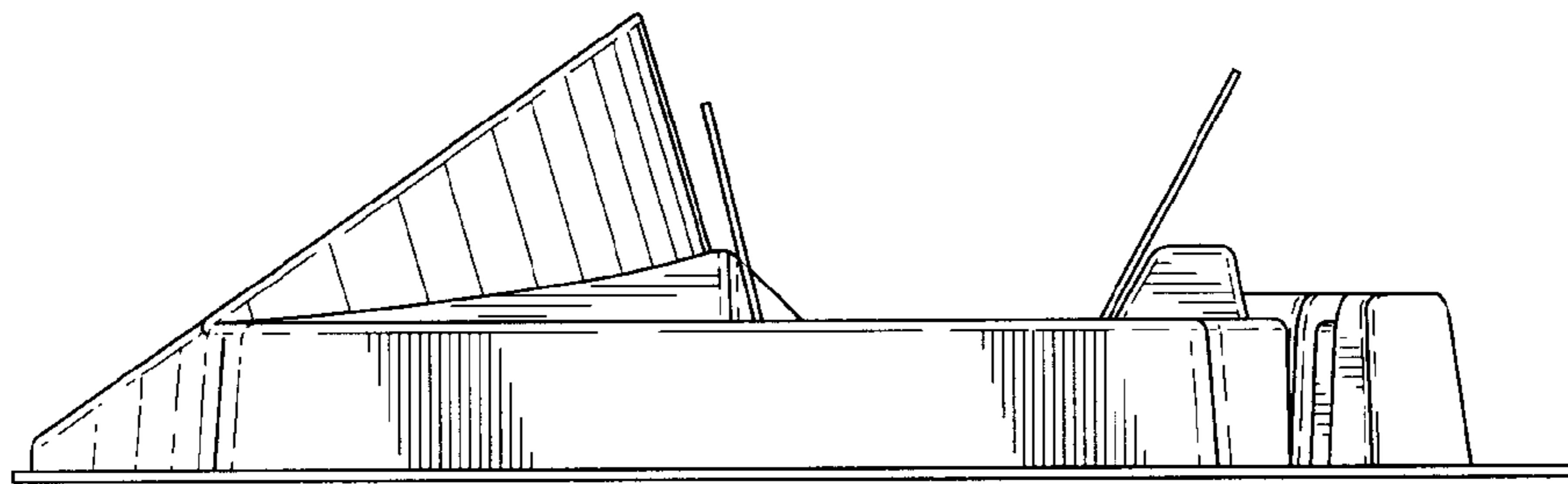
\* cited by examiner



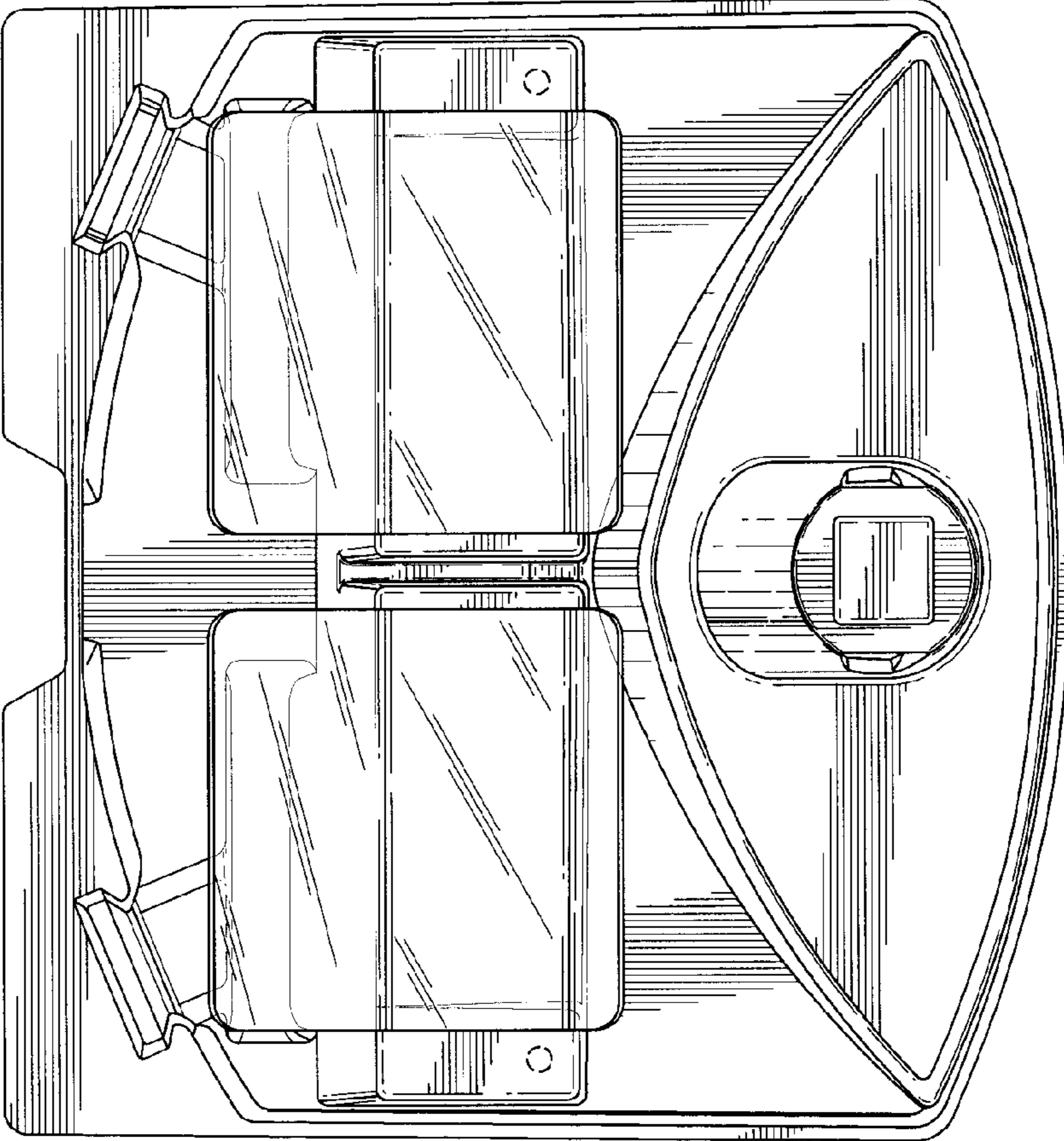
*Fig. 1*



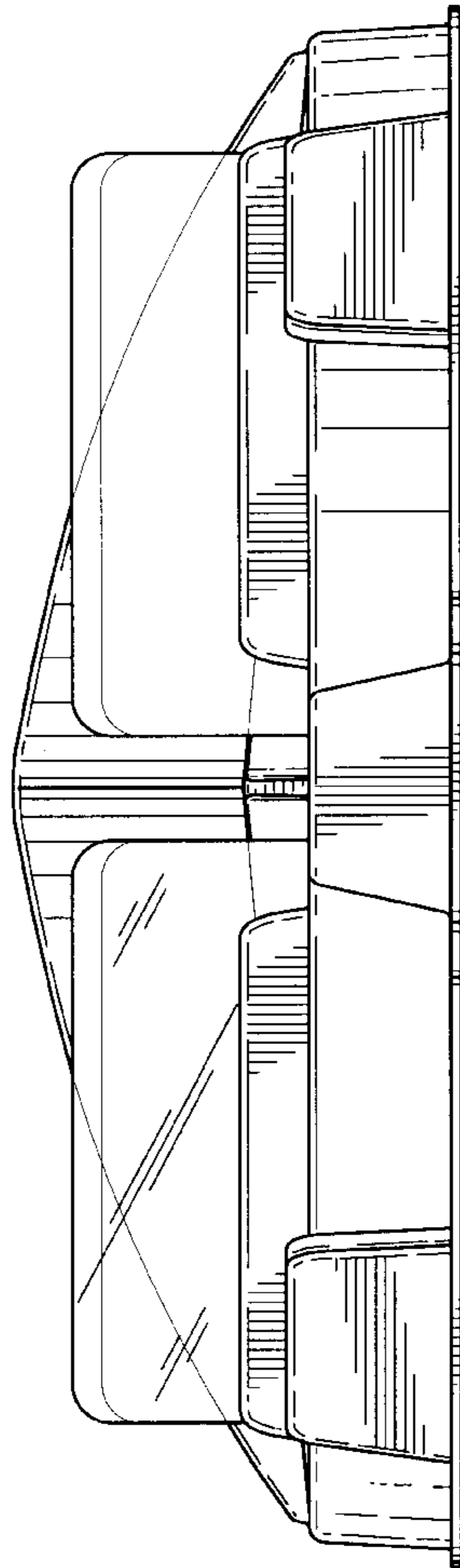
*Fig. 2*



*Fig. 3*



*Fig. 4*



*Fig. 5*