



US00D636614S

(12) **United States Design Patent**  
**Sander et al.**

(10) **Patent No.:** **US D636,614 S**  
(45) **Date of Patent:** **\*\* Apr. 26, 2011**

(54) **CHAIR**

(75) Inventors: **Armin Sander**, Cham (CH); **Martin Potrykus**, Bamberg (DE); **Hiroto Usumoto**, Osaka (JP)

(73) Assignee: **Itoki Corporation**, Osaka-shi, Osaka (JP)

(\*\*) Term: **14 Years**

(21) Appl. No.: **29/311,521**

(22) Filed: **Apr. 9, 2009**

(30) **Foreign Application Priority Data**

Oct. 16, 2008 (JP) ..... 2008-026669

Oct. 16, 2008 (JP) ..... 2008-026675

(51) **LOC (9) Cl.** ..... **06-01**

(52) **U.S. Cl.** ..... **D6/366**

(58) **Field of Classification Search** ..... D6/334-336,  
D6/364, 365, 366, 367, 369, 379, 380, 498,  
D6/500-502; 297/391, 396, 411.2, 411.27,  
297/452.13, 452.19, 452.21, 452.29, 452.3,  
297/452.35, 452.46, 452.56, 452.64

See application file for complete search history.

(56) **References Cited**

U.S. PATENT DOCUMENTS

D487,359 S	3/2004	Giugiaro	
D489,542 S	5/2004	Giugiaro	
D528,811 S *	9/2006	Giugiaro	D6/366
D558,995 S *	1/2008	Igarashi	D6/366
D559,572 S *	1/2008	Igarashi	D6/366
D600,462 S *	9/2009	Ooki et al.	D6/366
D613,085 S *	4/2010	Fujita	D6/366

\* cited by examiner

*Primary Examiner* — Mimoso De

(74) *Attorney, Agent, or Firm* — McGinn IP Law Group, PLLC

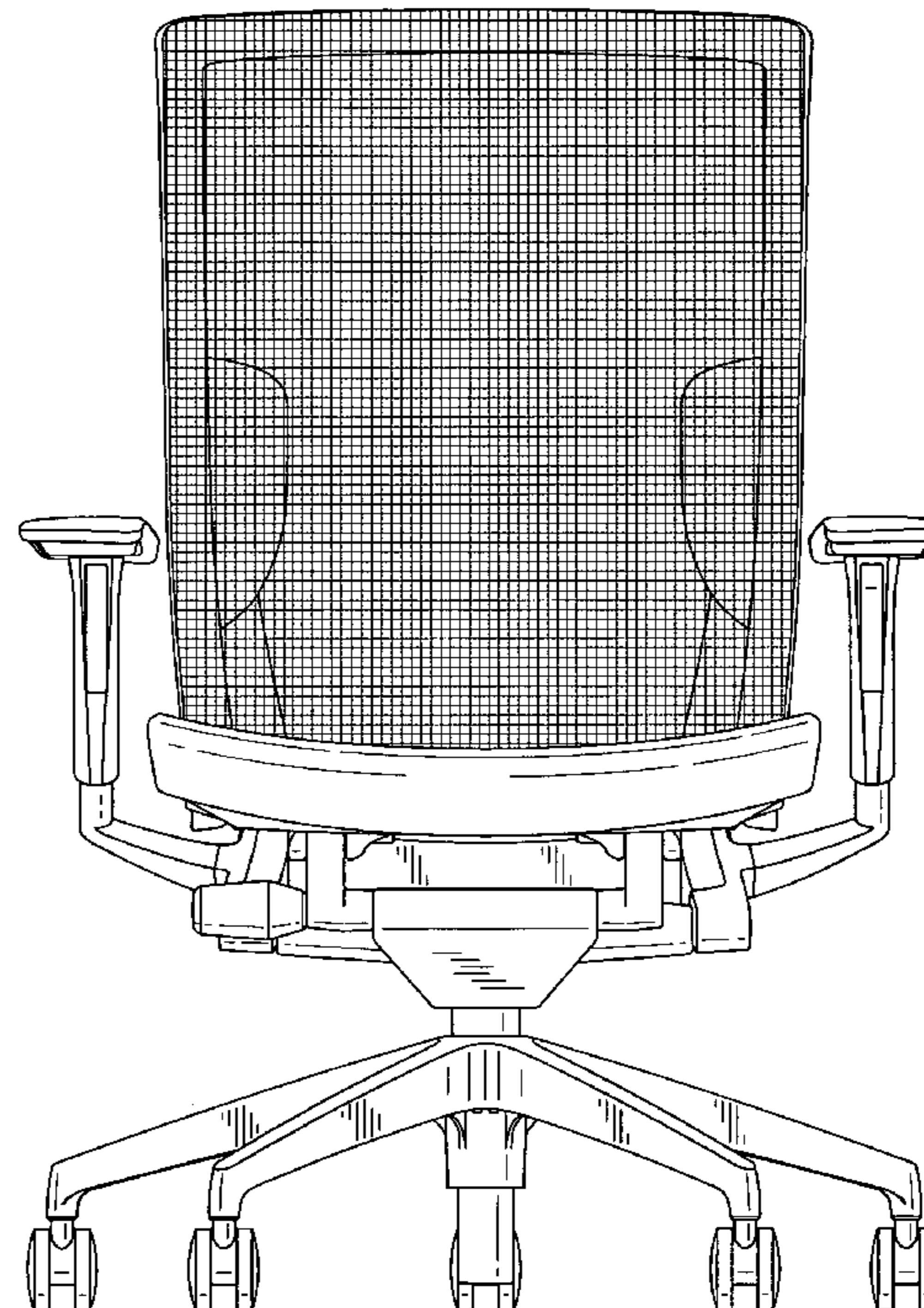
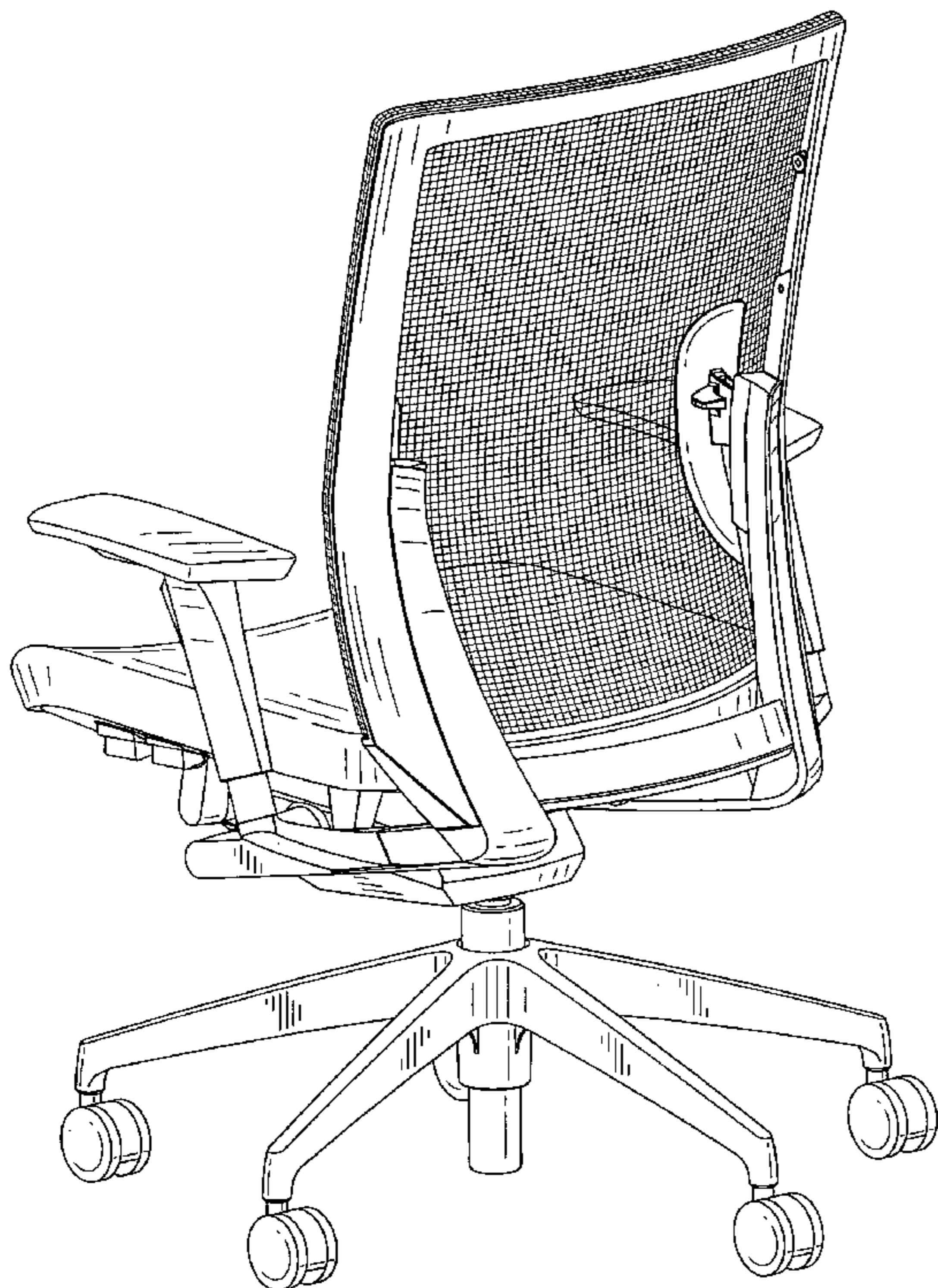
(57) **CLAIM**

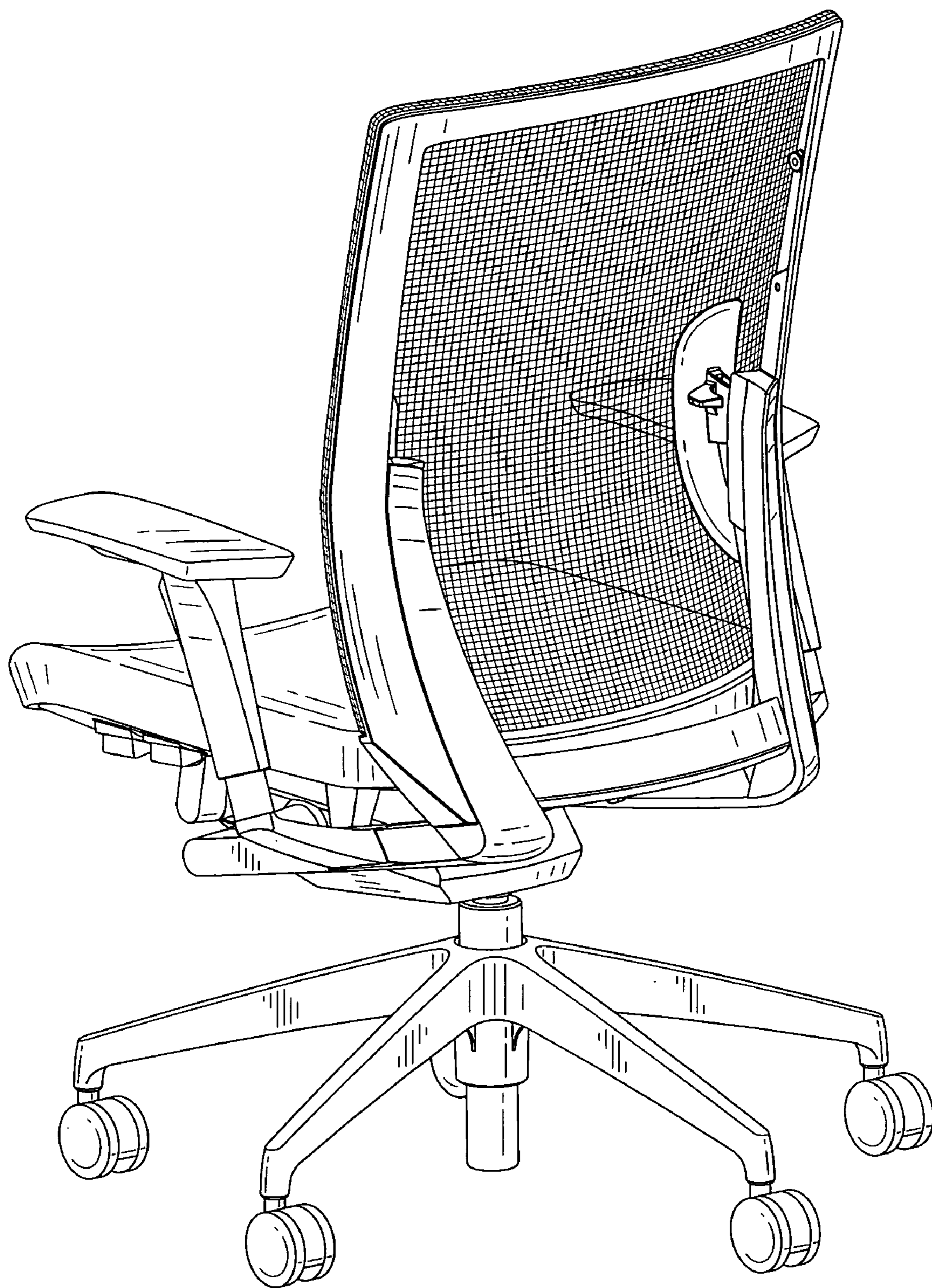
The ornamental design for a chair, as shown and described.

**DESCRIPTION**

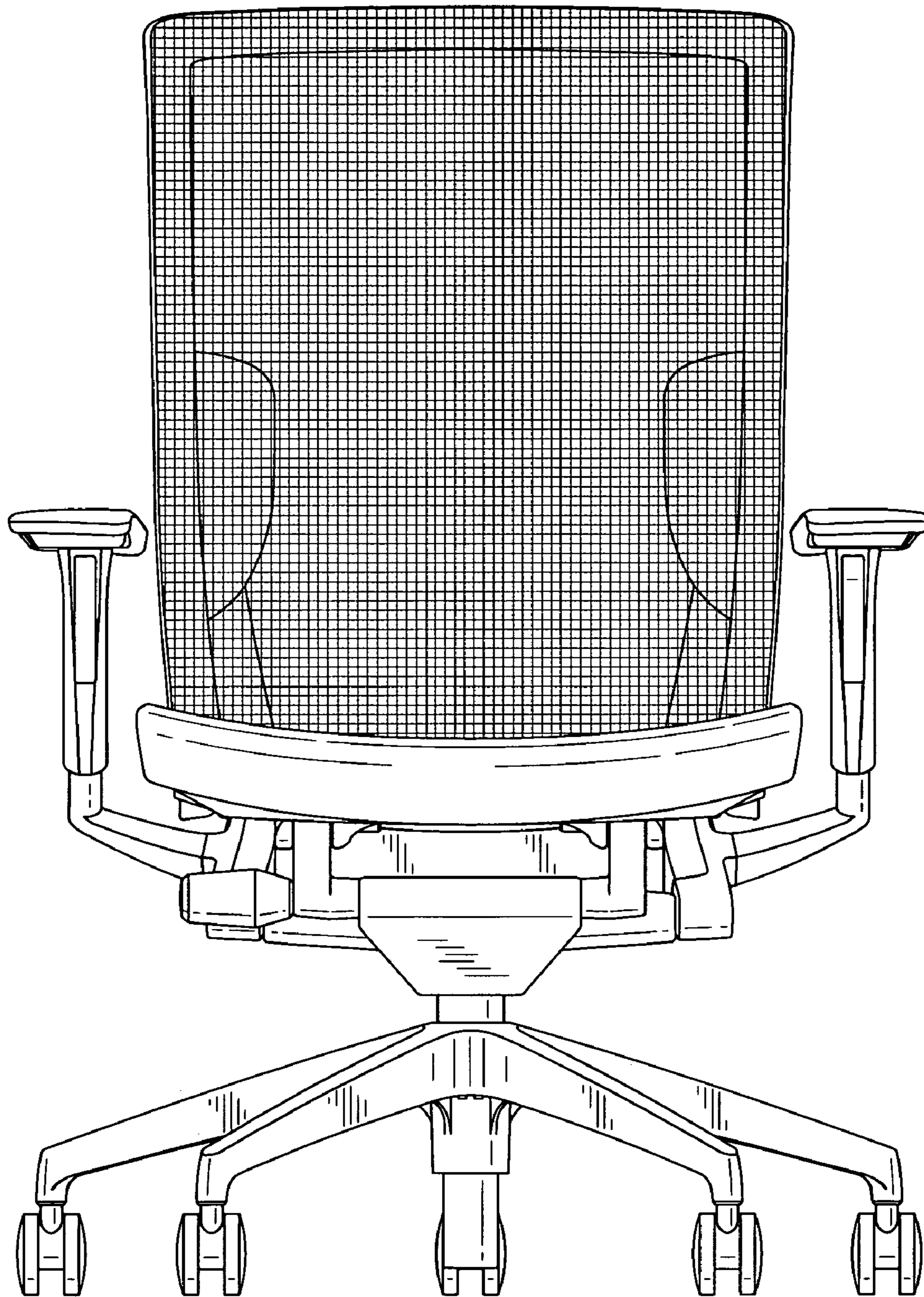
FIG. 1 is a perspective view of top, rear and right side of a chair showing our new design;  
FIG. 2 is a front view thereof;  
FIG. 3 is a rear view thereof;  
FIG. 4 is a top plan view thereof;  
FIG. 5 is a bottom view thereof;  
FIG. 6 is a left side view thereof; and,  
FIG. 7 is a right side view thereof.

**1 Claim, 7 Drawing Sheets**

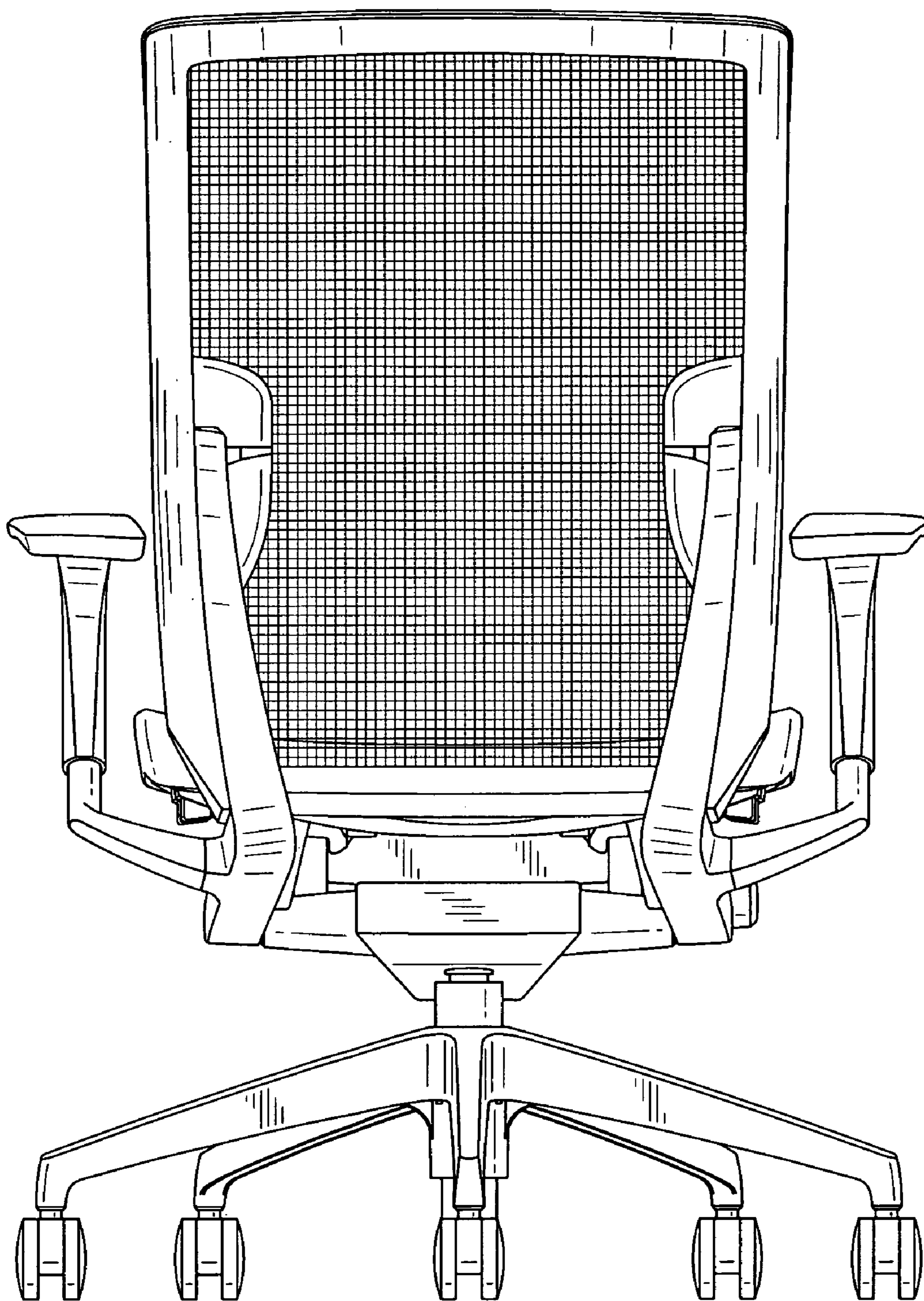




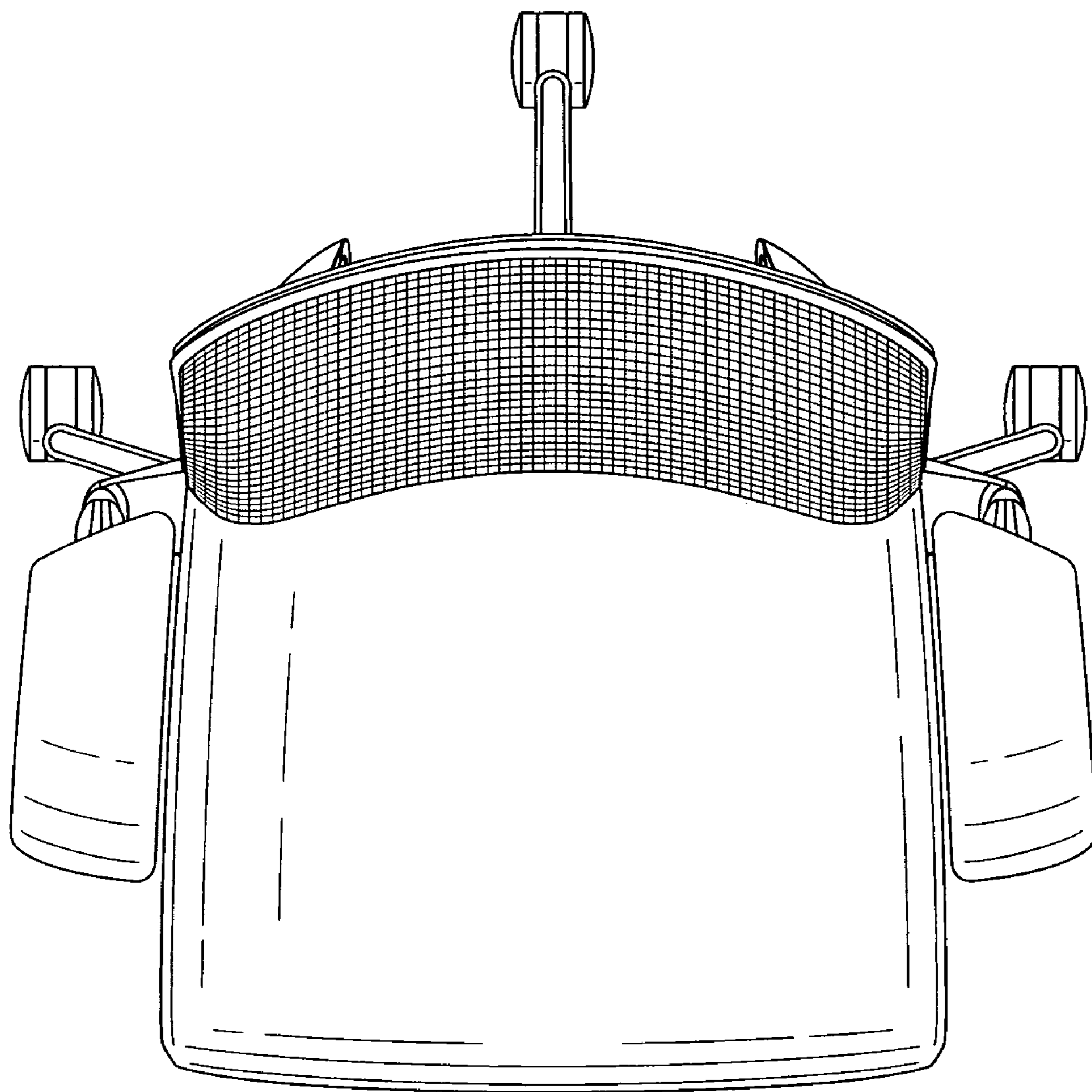
**FIG. 1**



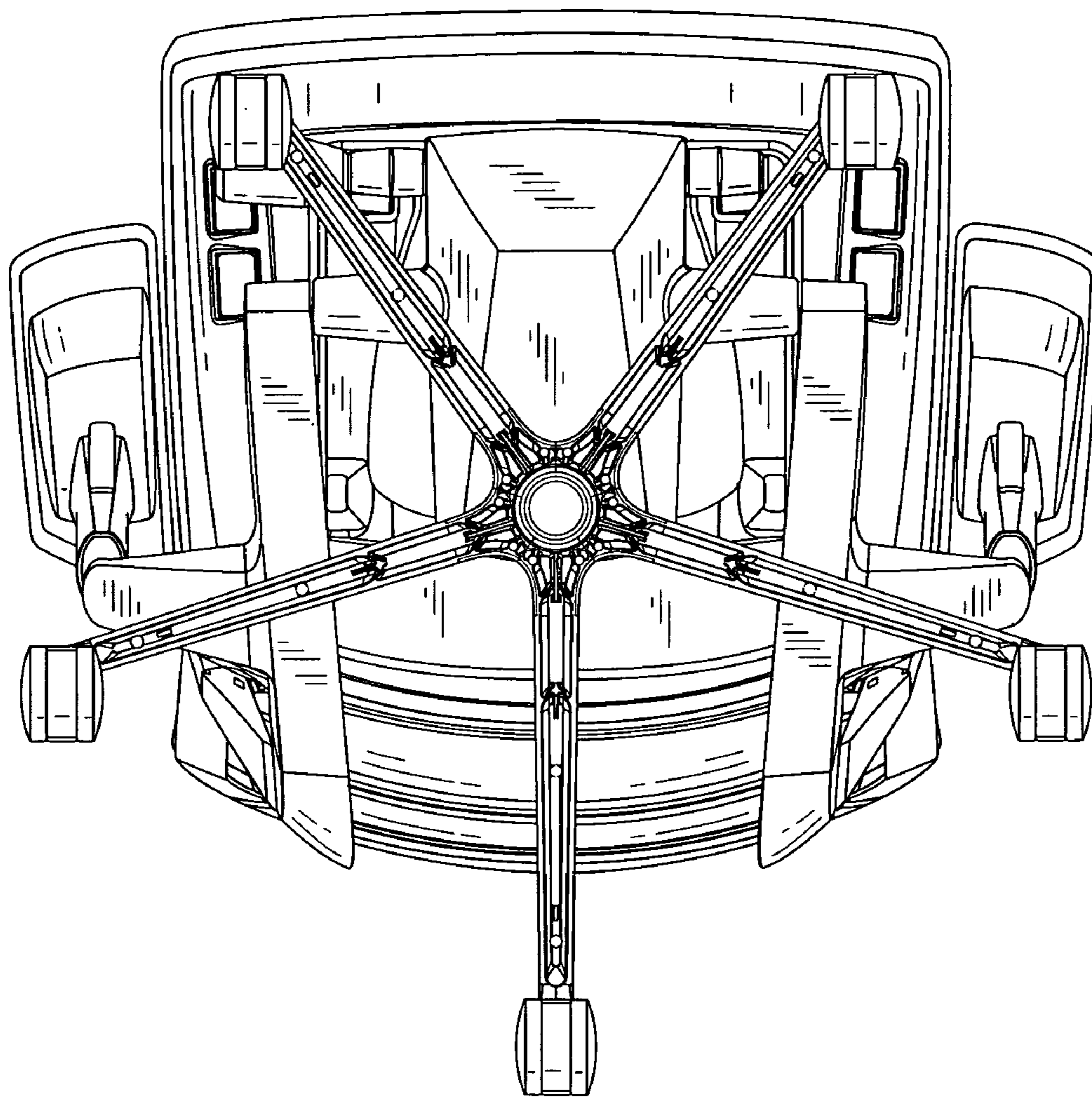
*FIG. 2*



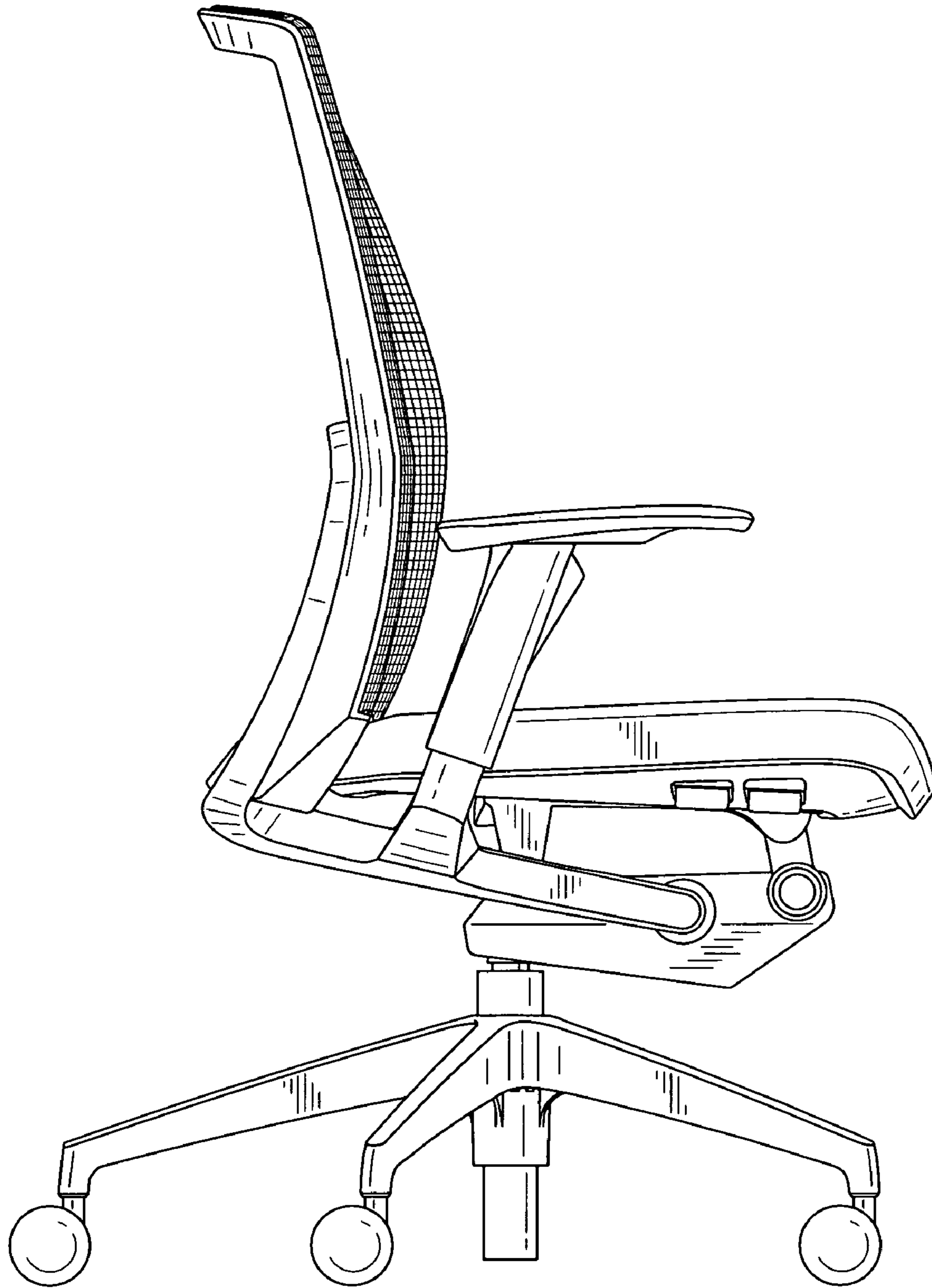
**FIG. 3**



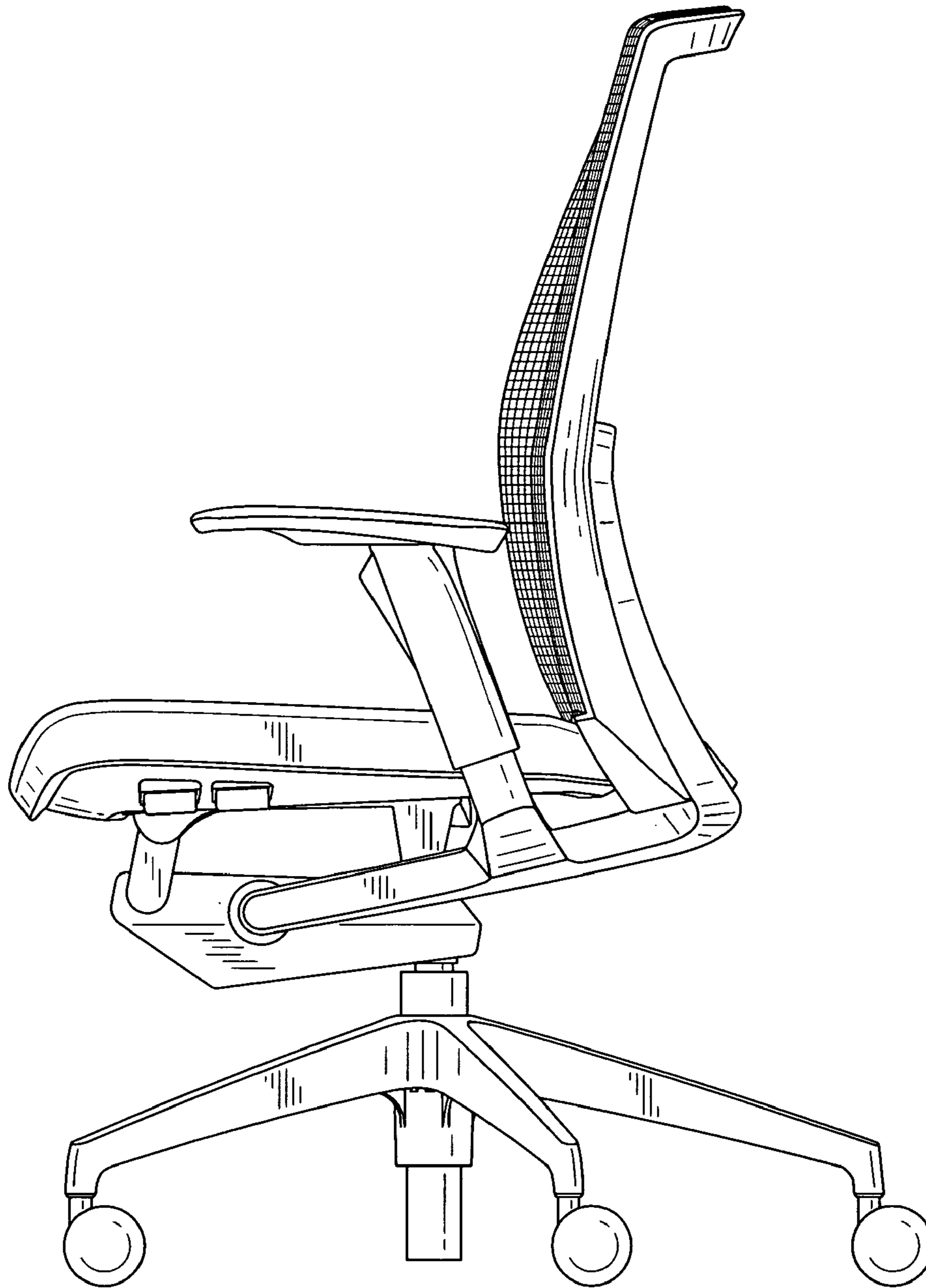
**FIG. 4**



*FIG. 5*



**FIG. 6**



**FIG. 7**