



US00D636613S

(12) **United States Design Patent**
Overthun et al.

(10) **Patent No.:** **US D636,613 S**
(45) **Date of Patent:** **** Apr. 26, 2011**

(54) **SEATING UNIT**

(75) Inventors: **Thomas Overthun**, San Francisco, CA (US); **Elger Oberwelz**, San Francisco, CA (US); **David J. Battey**, Caledonia, MI (US); **Sean M. Corcorran**, East Grand Rapids, MI (US); **Nickolaus William Charles Deevers**, Grand Rapids, MI (US); **Keith Robert Machin**, Wyoming, MI (US); **James N. Ludwig**, Grand Rapids, MI (US)

(73) Assignee: **Steelcase Inc.**, Grand Rapids, MI (US)

(**) Term: **14 Years**

(21) Appl. No.: **29/355,013**

(22) Filed: **Feb. 1, 2010**

(51) **LOC (9) Cl.** **06-01**

(52) **U.S. Cl.** **D6/338**

(58) **Field of Classification Search** D6/330,
D6/335-338, 340, 349-355, 358, 359, 364,
D6/366, 376, 491, 495, 500-502, 341; 297/16.1,
297/39, 46, 135, 140, 156, 158.3, 158.4,
297/175, 177, 187, 195.1, 195.11, 211, 245,
297/423.1, 423.16, 445.1, 461, 462, 136,
297/170, 172, 174 F

See application file for complete search history.

(56) **References Cited**

U.S. PATENT DOCUMENTS

1,737 A	8/1840	King	
D177,231 S *	3/1956	Hall et al.	D6/338
D181,703 S *	12/1957	Burgers	D6/341
D181,945 S	1/1958	Saارين	
D181,975 S	1/1958	Hail et al.	
D182,790 S	5/1958	Cohen	
D183,416 S	8/1958	Bellmann	
2,845,699 A	8/1958	Woodward	
D192,029 S	1/1962	Avedon et al.	
D193,847 S	10/1962	Mason	
D194,980 S *	4/1963	De La Riva Carwaga	D6/341

D195,725 S *	7/1963	Chapman	D6/341
D196,429 S	10/1963	Johnson	
D198,628 S *	7/1964	Chapman	D6/341
D202,550 S	10/1965	Kramer	
D205,939 S	10/1966	Laverne et al.	
D207,262 S	3/1967	Maurer et al.	
D209,282 S	11/1967	Boyd et al.	
3,361,472 A	1/1968	Hasbrouck	
3,572,831 A	3/1971	Barecki	
3,574,400 A	4/1971	Day	
3,586,367 A	6/1971	Cincotta	
3,712,668 A	1/1973	Fink	
3,712,669 A	1/1973	Cates	
D226,648 S	4/1973	Sobel et al.	
D230,669 S *	3/1974	Hendrickson et al.	D6/341
D230,670 S	3/1974	Begge	
D244,978 S	7/1977	Polsky et al.	
D245,378 S	8/1977	Roericht	

(Continued)

Primary Examiner — Sandra Snapp

(74) Attorney, Agent, or Firm — Quarles & Brady LLP

(57) **CLAIM**

The ornamental design for a seating unit, as shown and described.

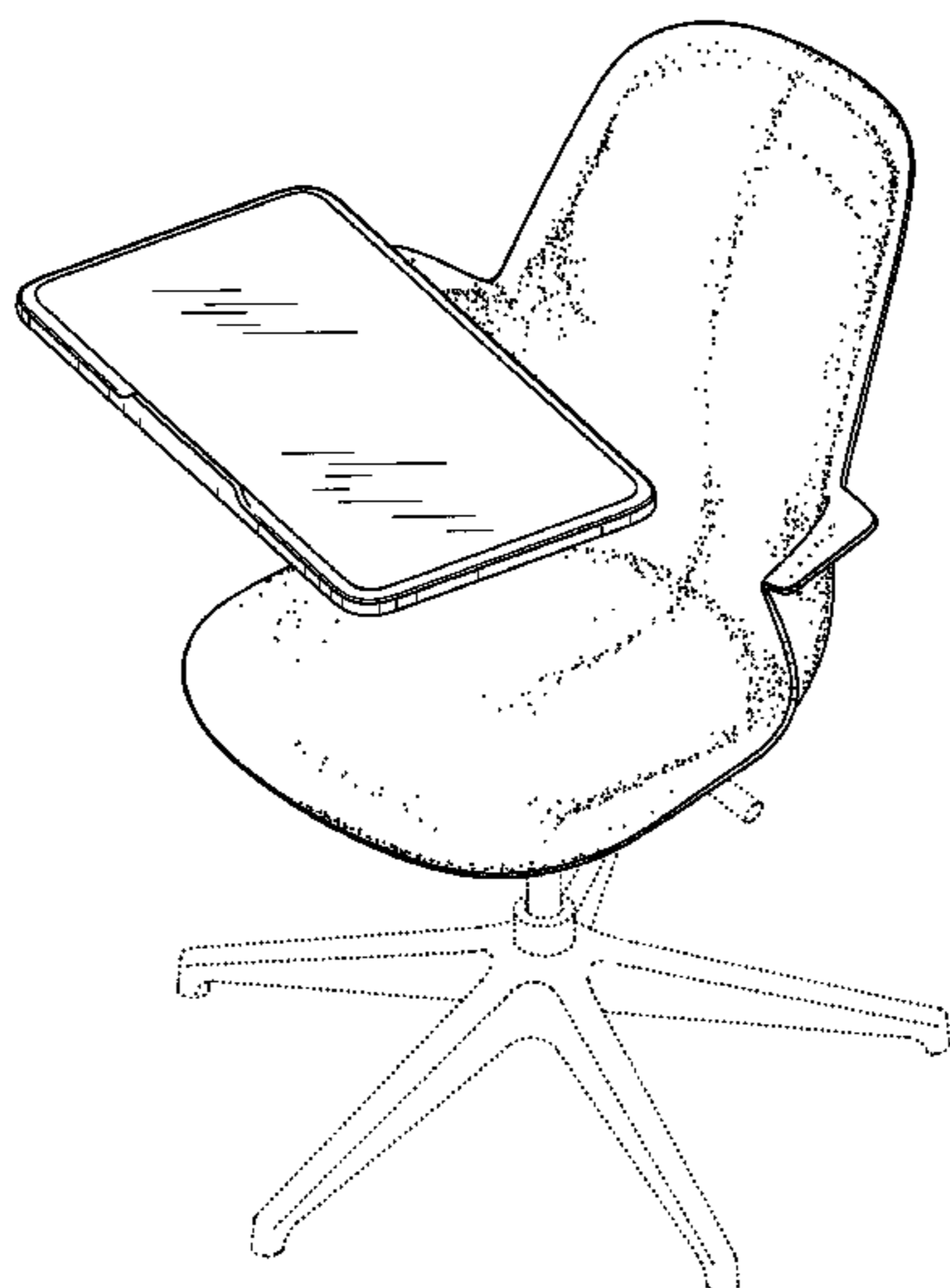
DESCRIPTION

FIG. 1 is a right, top, front perspective view of a seating unit embodying my new design;
FIG. 2 is a front elevational view thereof;
FIG. 3 is a right side elevational view thereof;
FIG. 4 is a rear elevational view thereof;
FIG. 5 is a left side elevational view thereof;
FIG. 6 is top plan view thereof; and,
FIG. 7 is a bottom plan view thereof.

The broken line representations in the figures are for the purpose of illustration only, and form no part of the claimed design.

In a preferred embodiment, the nature of this product is a seating unit for supporting a human in a seated position which includes a tray for supporting items.

1 Claim, 7 Drawing Sheets



US D636,613 S

Page 2

U.S. PATENT DOCUMENTS							
4,062,590	A	12/1977	Polsky et al.	D479,053	S	9/2003	Chadwick et al.
4,136,908	A	1/1979	Crayne	6,669,282	B2	12/2003	Piretti
D264,149	S	5/1982	Buhk	6,669,301	B1	12/2003	Funk et al.
4,427,232	A	1/1984	Malm	6,776,452	B2	8/2004	Onishi
D274,771	S	7/1984	Ambasz et al.	D497,487	S	10/2004	Azumi et al.
D279,246	S	6/1985	Murry	D502,016	S	2/2005	Goodworth
4,529,247	A	7/1985	Stumpf et al.	D503,560	S	4/2005	Rowland et al.
D288,388	S	2/1987	Ochsner	D504,026	S	4/2005	Glass et al.
D288,506	S	3/1987	Ochsner	D505,022	S	5/2005	Mills et al.
D289,120	S	4/1987	Chadwick et al.	D507,890	S	8/2005	Mills et al.
4,744,603	A	5/1988	Knoblock	D511,416	S	11/2005	Obbitts et al.
D315,123	S	3/1991	Spiegel et al.	D512,846	S	12/2005	Goodworth
5,015,038	A	5/1991	Mrotz, III	D513,892	S	* 1/2006	Glass et al. D6/338
5,123,702	A	6/1992	Caruso	D514,829	S	2/2006	Glass et al.
5,169,210	A	12/1992	Fricano	D518,304	S	4/2006	Crescenti
D332,703	S	* 1/1993	Gulliver D6/338	D518,968	S	4/2006	Magnani et al.
D334,314	S	3/1993	Milton	D525,445	S	7/2006	Liu et al.
D351,510	S	10/1994	Lucci et al.	D525,446	S	7/2006	Farber
5,364,137	A	11/1994	Shimer	D542,039	S	5/2007	Glass et al.
D358,723	S	5/1995	Kelly et al.	D544,230	S	6/2007	Glass et al.
5,452,950	A	9/1995	Crenshaw et al.	D546,085	S	7/2007	Ritch et al.
D365,935	S	1/1996	Dallas	D546,087	S	7/2007	Rashid
D366,772	S	2/1996	Pasin	D547,980	S	8/2007	Glass et al.
5,489,145	A	2/1996	Van Hekken	D549,018	S	8/2007	Glass et al.
5,499,413	A	3/1996	Van Hekken	D550,471	S	9/2007	Igarashi
D370,360	S	6/1996	Fewchuk	D552,856	S	10/2007	Chan
5,601,331	A	2/1997	Austin, Jr. et al.	D553,380	S	10/2007	Natuzzi
5,653,499	A	8/1997	Goodall	D554,386	S	11/2007	Nobles et al.
D398,452	S	* 9/1998	Reddig D6/338	D555,372	S	11/2007	Lin
5,816,649	A	10/1998	Shields	D555,380	S	11/2007	Farber
D406,195	S	3/1999	Gamberini	D557,515	S	12/2007	Breen
5,954,393	A	9/1999	Perrin	D557,916	S	12/2007	Dietrich
5,957,534	A	9/1999	Wilkerson et al.	D560,918	S	2/2008	Fuksas
D417,342	S	12/1999	Holbrook	D562,019	S	2/2008	Lievore
D417,795	S	12/1999	Rashid	D566,412	S	4/2008	de Brabandere et al.
D422,424	S	4/2000	Gehry et al.	D572,029	S	7/2008	Bouroullec et al.
D422,806	S	4/2000	Neil	D573,363	S	7/2008	Pillet
6,059,357	A	5/2000	Peart	D578,786	S	10/2008	Cantarutti
D426,973	S	6/2000	Risdall	D585,207	S	1/2009	Bauchet
6,073,997	A	6/2000	Koh	D587,916	S	3/2009	Bouroullec et al.
6,082,822	A	7/2000	Kelly et al.	D592,870	S	5/2009	Olano Jauregui
D440,064	S	4/2001	Deacon	D592,876	S	5/2009	Smith et al.
6,286,901	B1	9/2001	Ritch et al.	7,530,632	B2	5/2009	Kaloustian et al.
D456,186	S	4/2002	Liu	D596,871	S	7/2009	Farber
D457,007	S	5/2002	Pearce et al.	D600,035	S	9/2009	Olano Jauregui
6,422,646	B1	7/2002	McNally	D600,052	S	9/2009	Smith et al.
D461,327	S	8/2002	Pearce et al.	D600,458	S	9/2009	Starck
D471,729	S	3/2003	Glass et al.	D618,922	S	* 7/2010	Fuchs D6/338
D473,081	S	4/2003	Kita	2005/0012371	A1	* 1/2005	Mendenhall et al. 297/248
6,588,845	B2	7/2003	Wilkerson et al.	2005/0099040	A1	* 5/2005	Mills et al. 297/170
D477,921	S	* 8/2003	Bosman et al. D6/338	2007/0284920	A1	12/2007	Mehaffey et al.

* cited by examiner

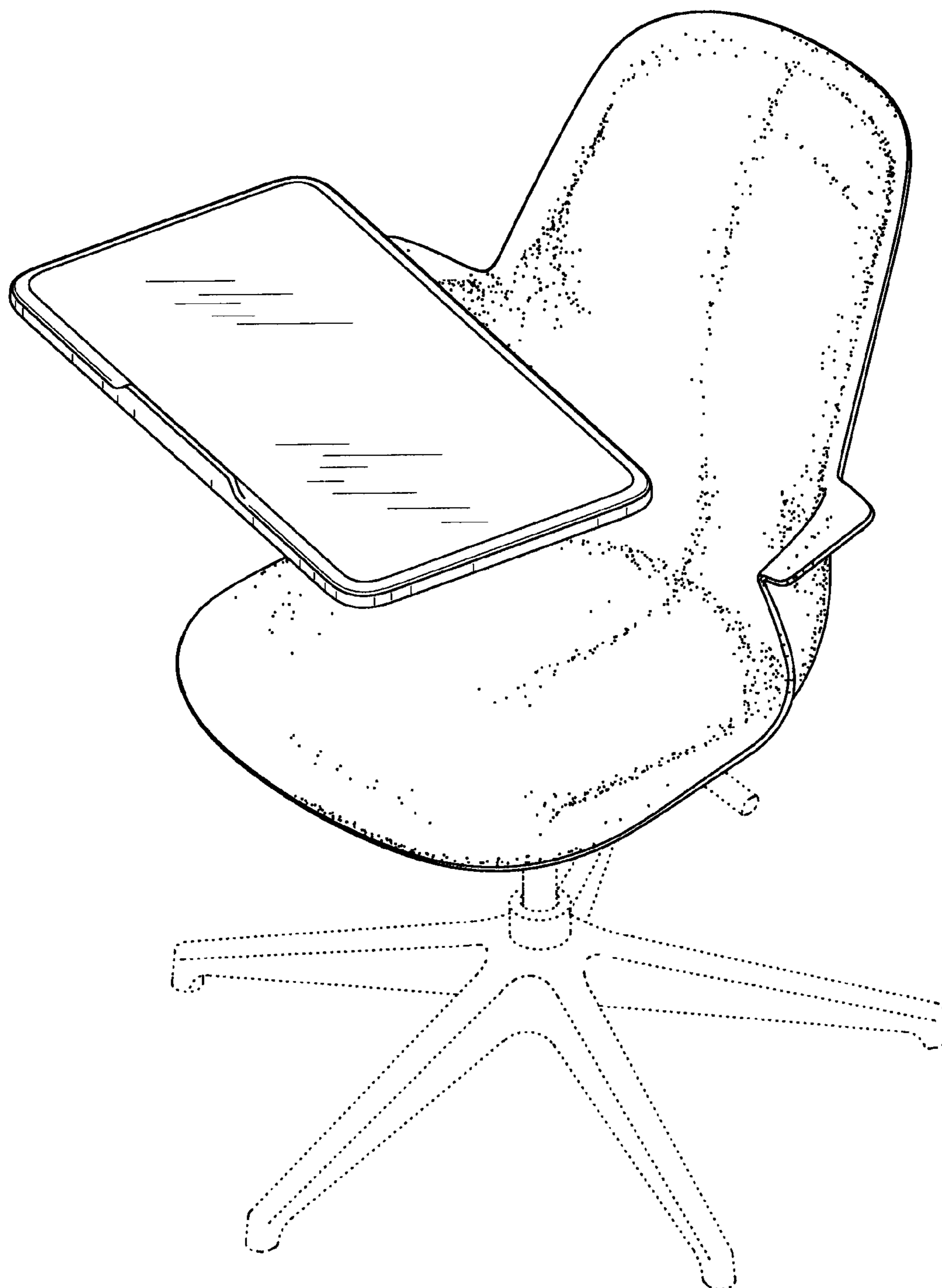


FIG. 1

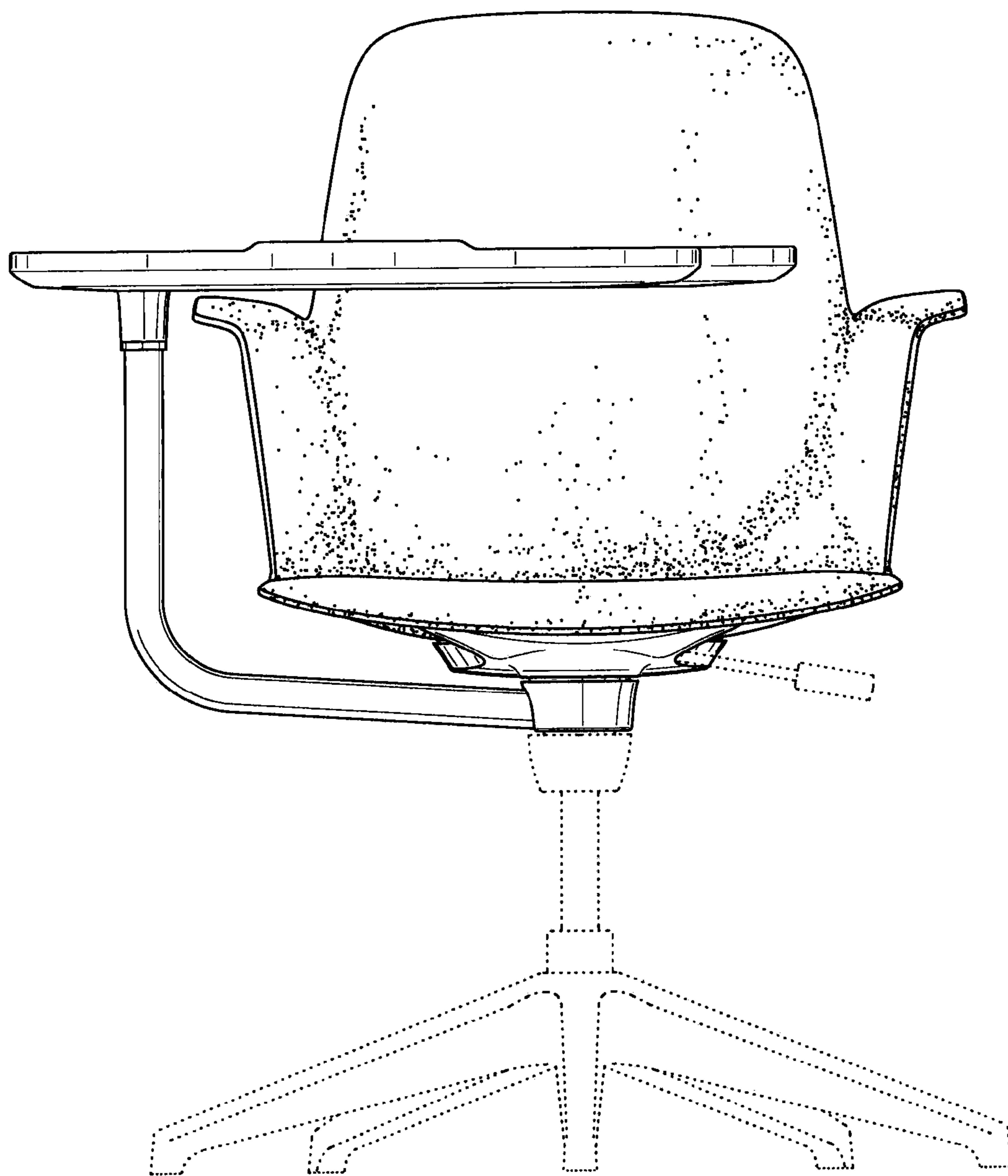


FIG. 2

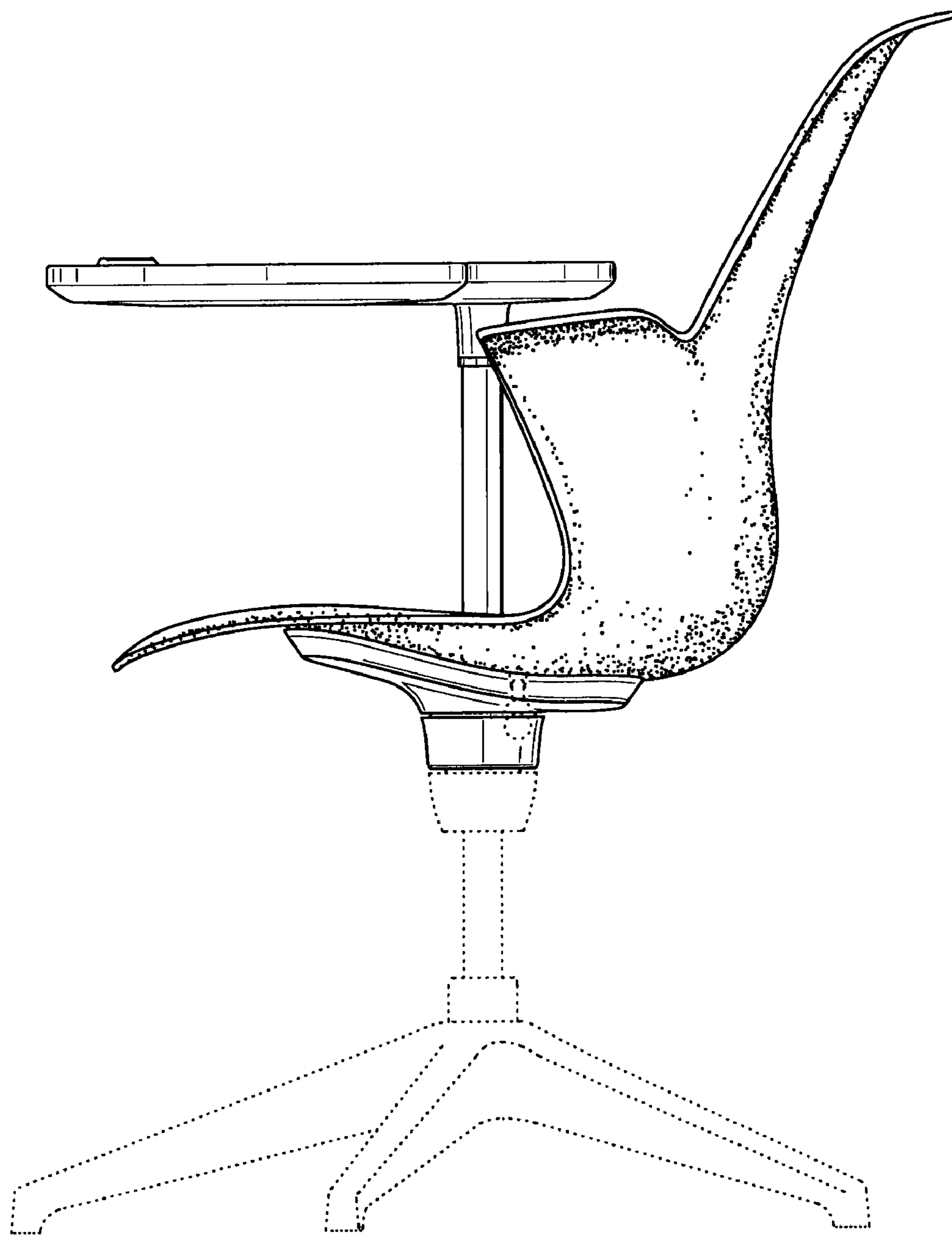


FIG. 3

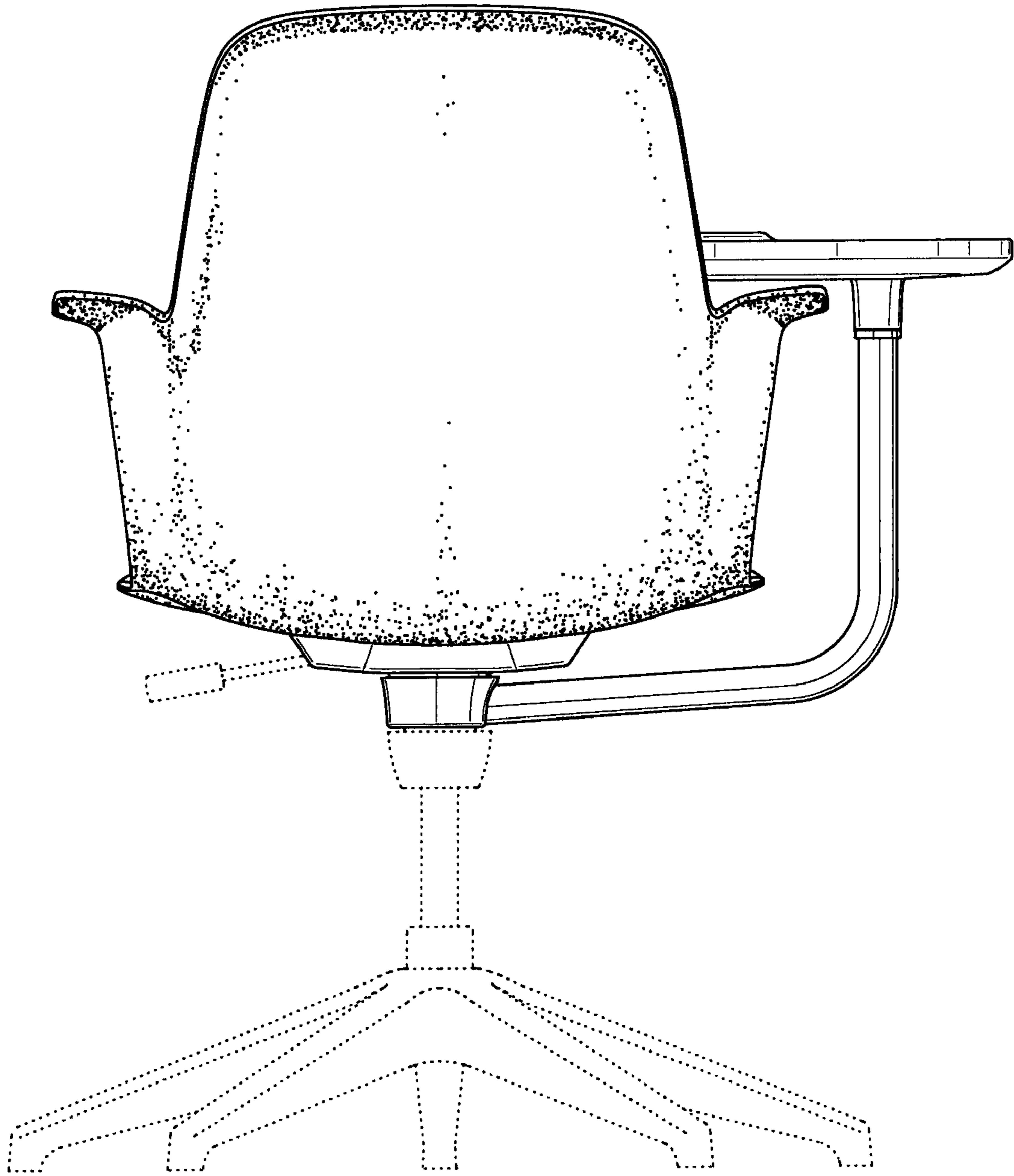


FIG. 4

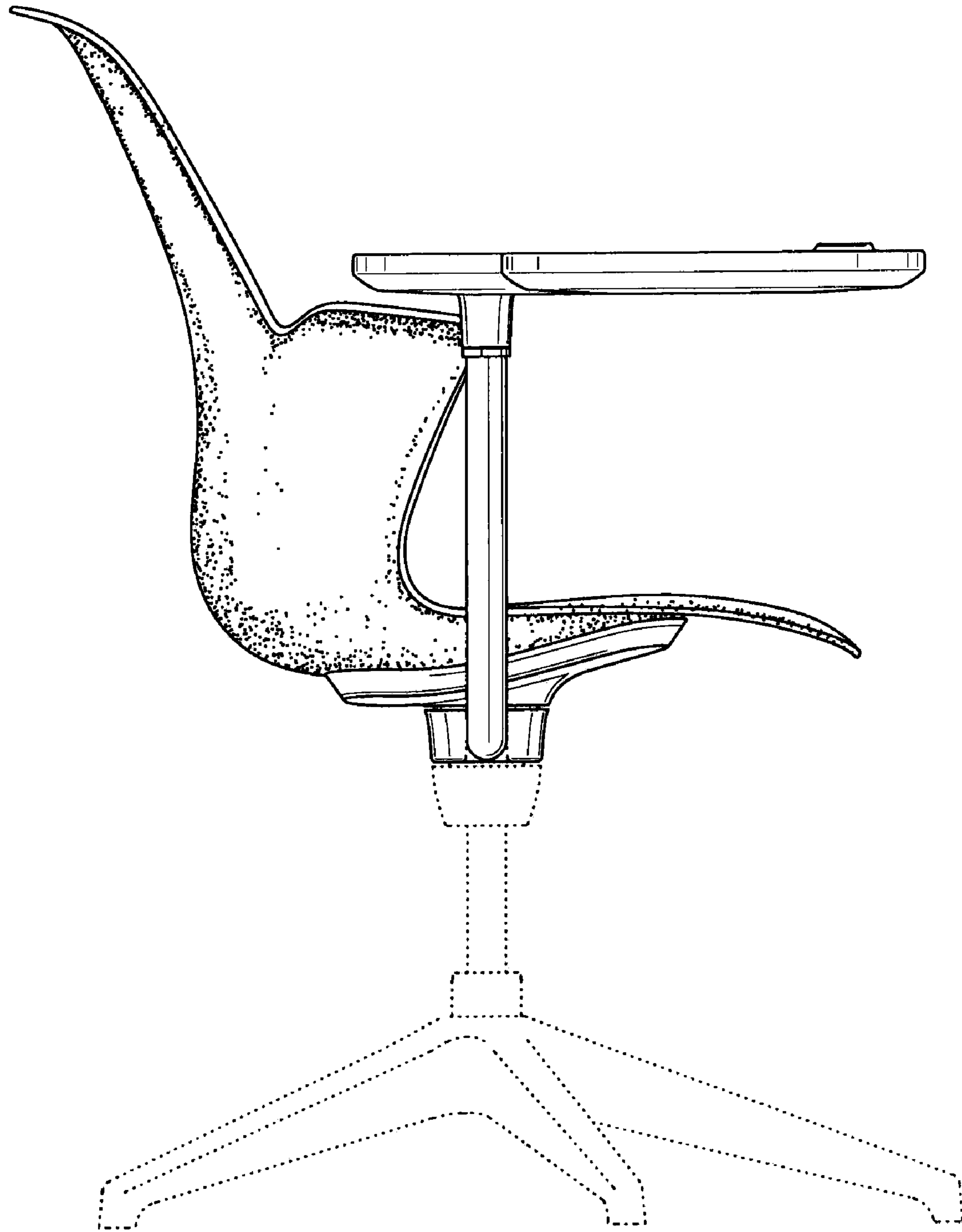


FIG. 5

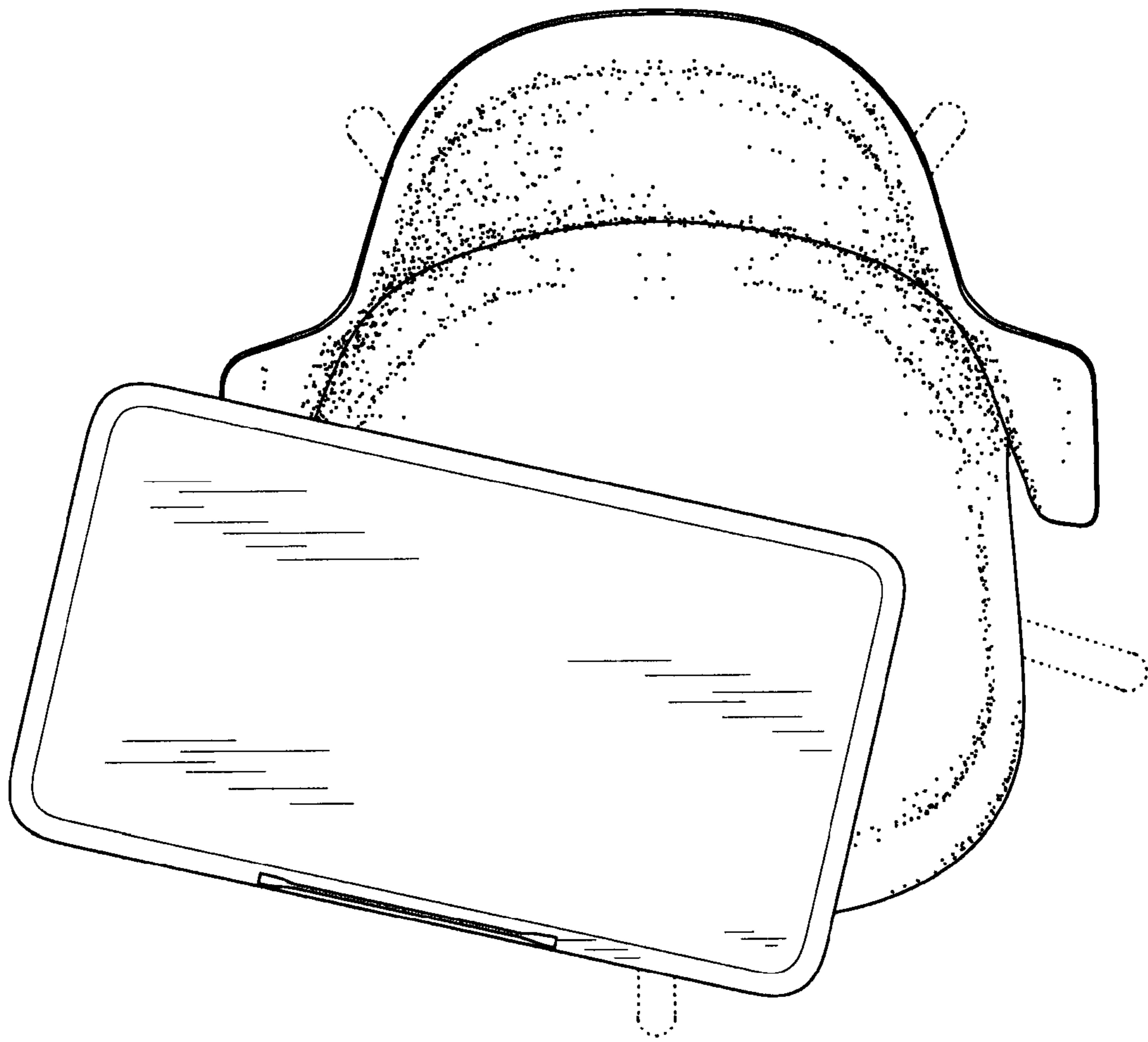


FIG. 6

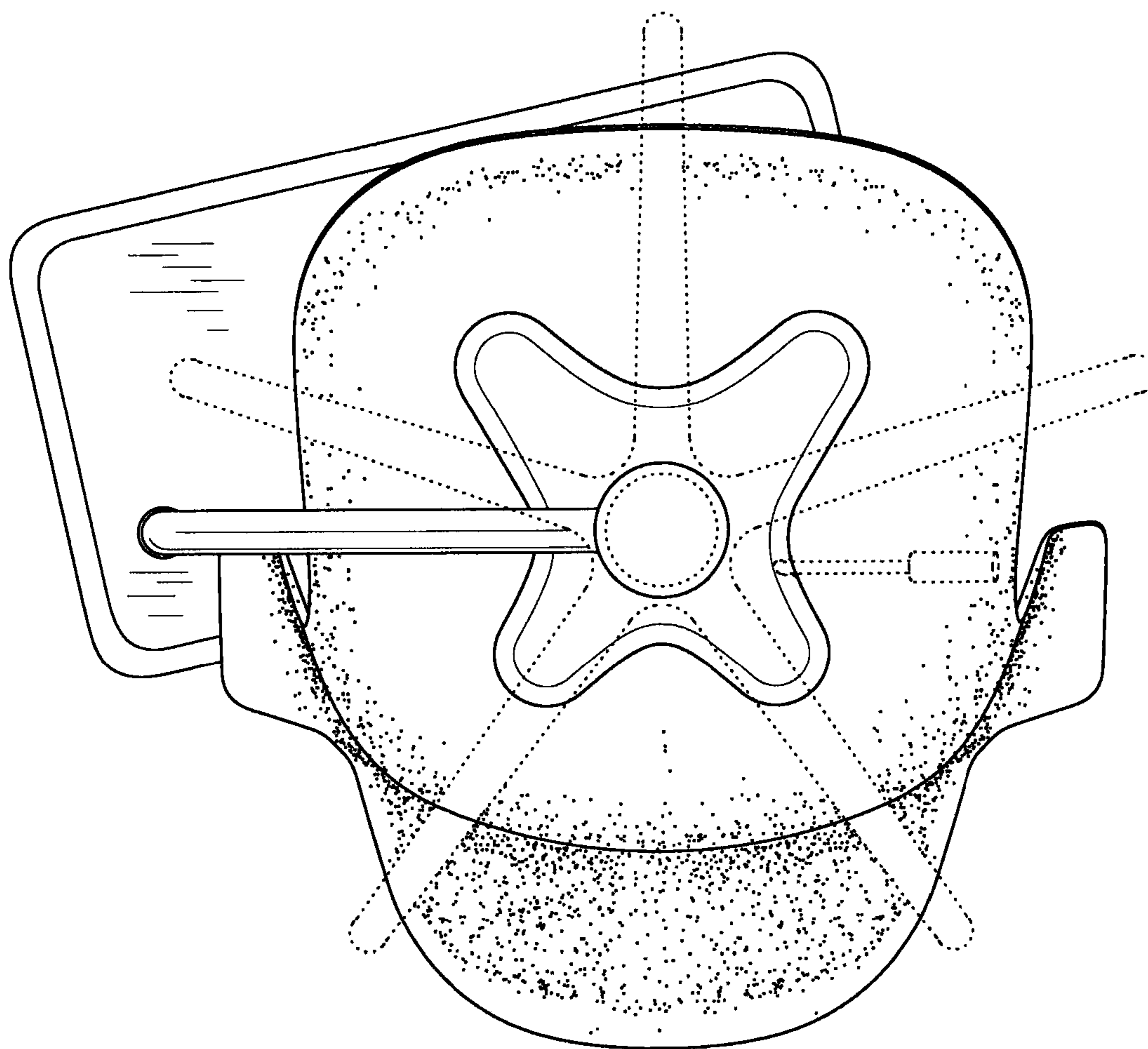


FIG. 7