

US00D636610S

(12) **United States Design Patent**
Caubel

(10) **Patent No.:** **US D636,610 S**

(45) **Date of Patent:** **** Apr. 26, 2011**

(54) **WIRELESS SCREEN IN LEATHER**

(75) Inventor: **Christine Caubel**, Paris (FR)

(73) Assignee: **Parrot**

(**) Term: **14 Years**

(21) Appl. No.: **29/279,787**

(22) Filed: **May 8, 2007**

(30) **Foreign Application Priority Data**

Nov. 8, 2006 (EM) 000618178-0005

(51) **LOC (9) Cl.** **06-04**

(52) **U.S. Cl.** **D6/300**

(58) **Field of Classification Search** D6/300-314;
40/700, 768, 717, 714; D14/341, 371, 372,
D14/448, 449, 450, 374, 381, 382, 336, 337,
D14/250, 146, 3, 129; D20/10; D10/24,
D10/75, 2; D9/537; D23/275

See application file for complete search history.

(56) **References Cited**

U.S. PATENT DOCUMENTS

D560,371 S * 1/2008 Liu et al. D6/308
D561,035 S * 2/2008 Leslie et al. D9/537
D561,307 S * 2/2008 Breymaier et al. D23/275
D615,306 S * 5/2010 Ji et al. D6/308
2007/0011929 A1 * 1/2007 Cheng 40/700

* cited by examiner

Primary Examiner — Philip S Hyder

Assistant Examiner — Sydney R Buffalow

(74) *Attorney, Agent, or Firm* — Marshall, Gerstein & Borun
LLP; Richard M. LaBarge

(57) **CLAIM**

The ornamental design for a wireless screen in leather, as shown and described.

DESCRIPTION

FIG. 1 is a perspective view of the back of a wireless screen in leather that has the design, the screen being positioned in this view with one of the long sides on the bottom and with a removable arm extending rearwardly so that the screen can rest on a horizontal surface.

FIG. 2 is a perspective view of the front of the wireless screen, in the position seen in FIG. 1.

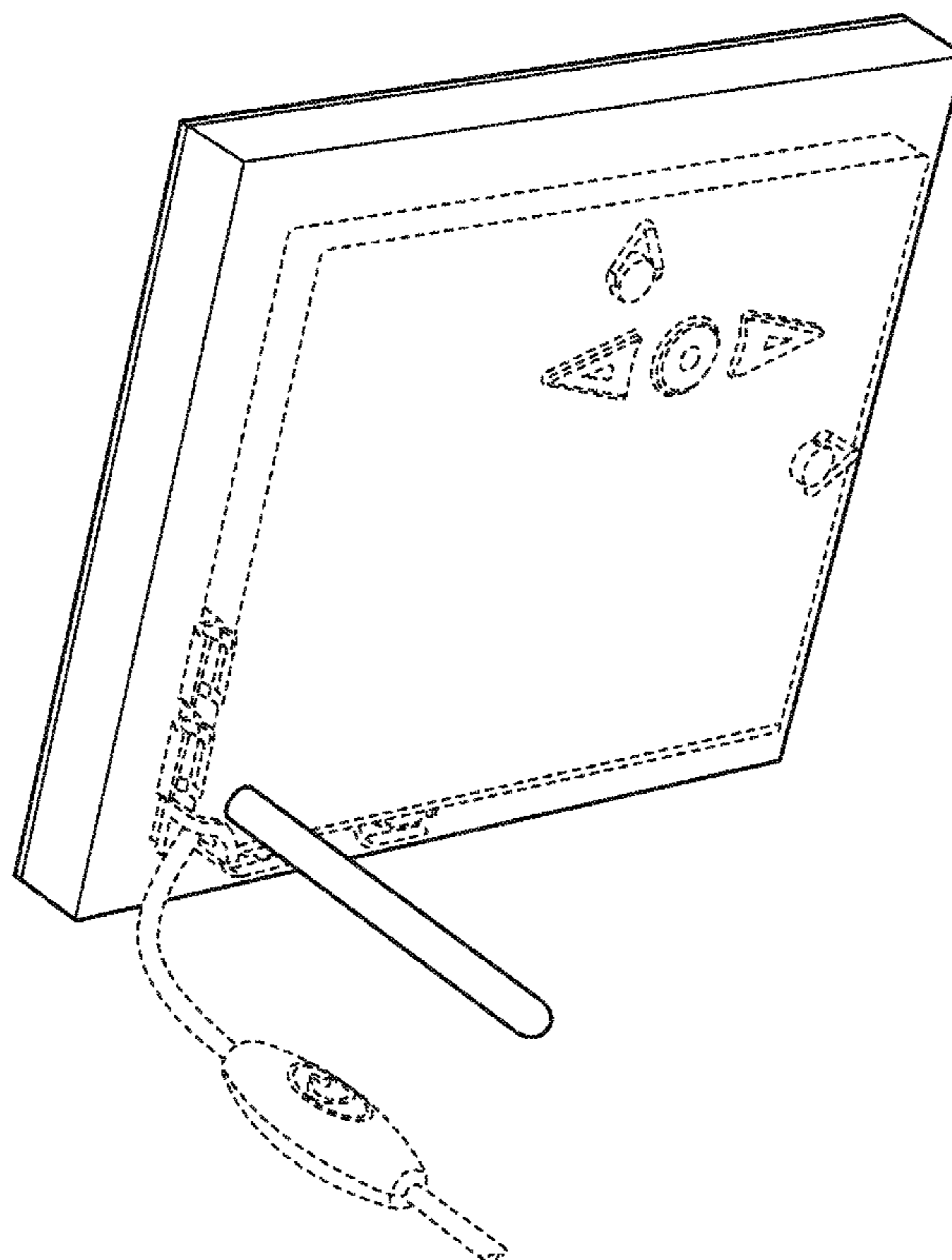
FIG. 3 is a side elevation view of the wireless screen seen in a different position, in which the optional arm has been removed, the screen has been rotated 90 degrees from the position seen in FIG. 1.

FIG. 4 is a top elevation view of the wireless screen as seen in FIG. 3; and,

FIG. 5 is a front view of the wireless screen as seen in FIGS. 3 and 4.

The broken line showing of parts of the wireless screen is for the purpose of illustrating portions of the wireless screen, and forms no part of the claimed design.

1 Claim, 4 Drawing Sheets



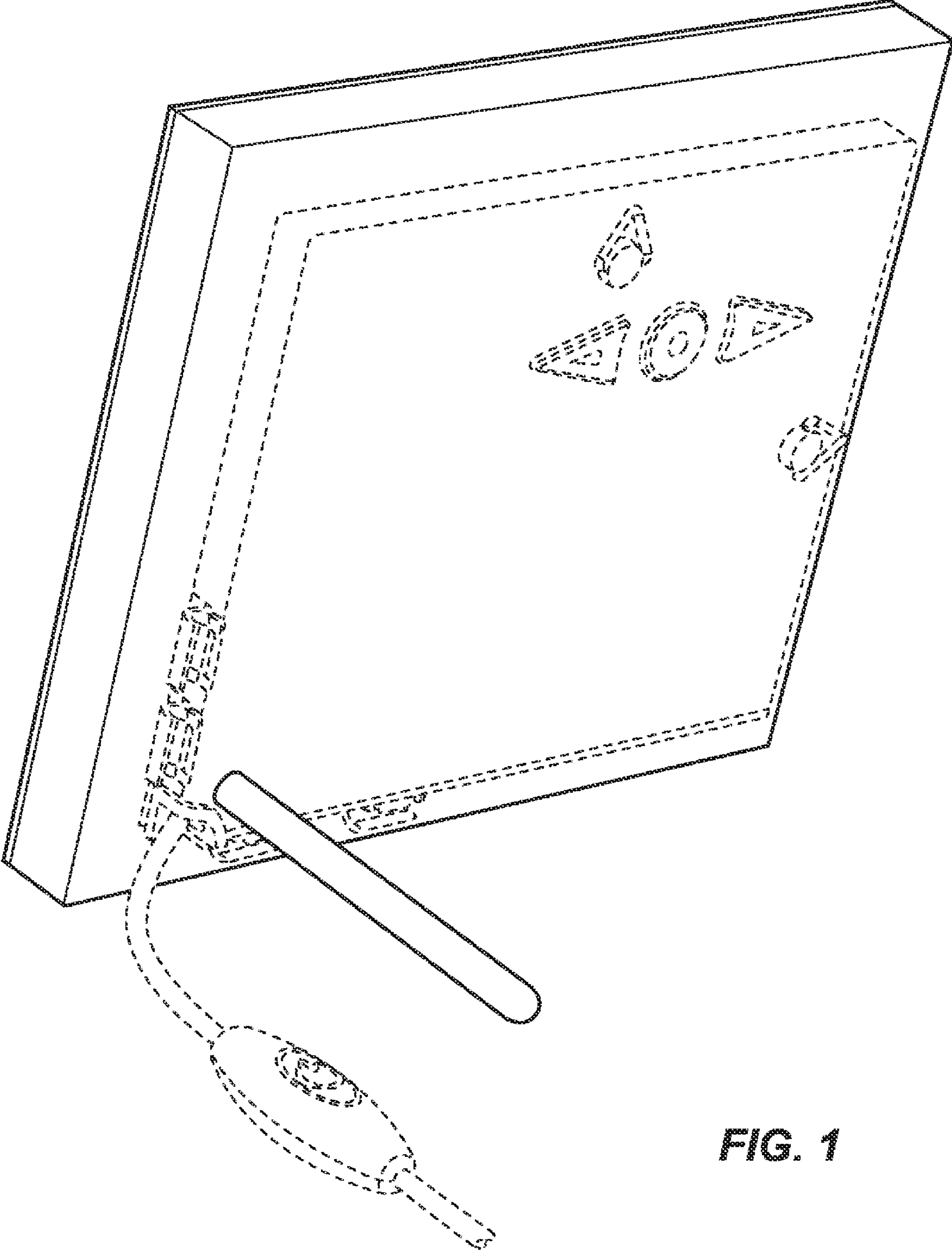


FIG. 1

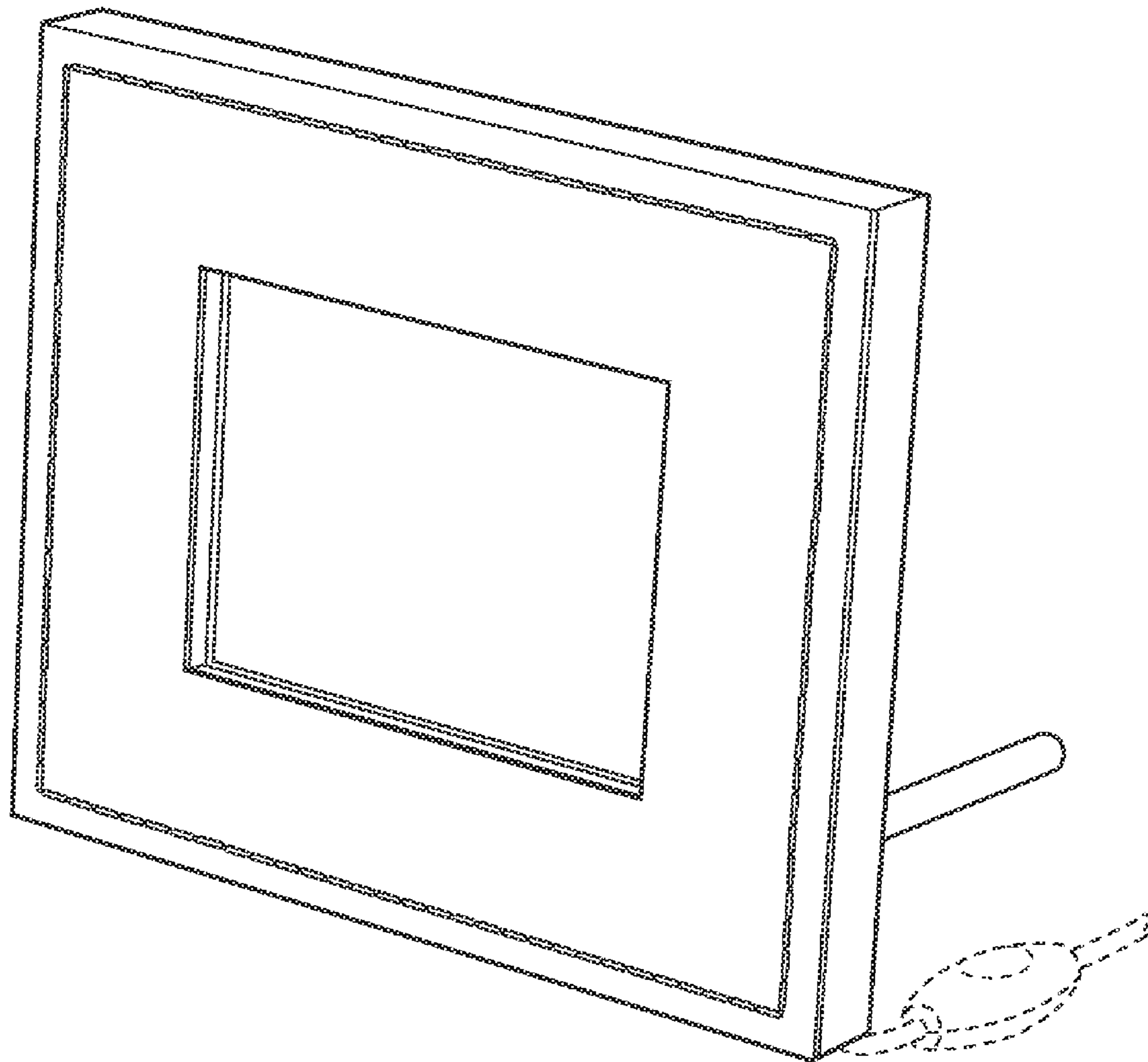


FIG. 2

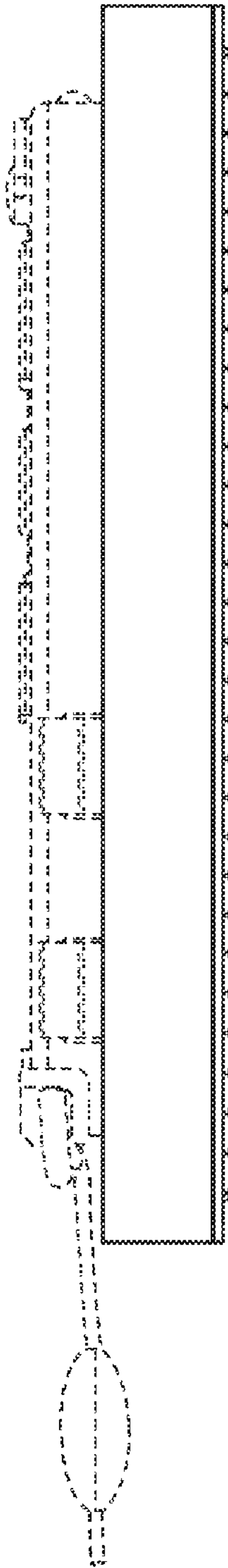


FIG. 3

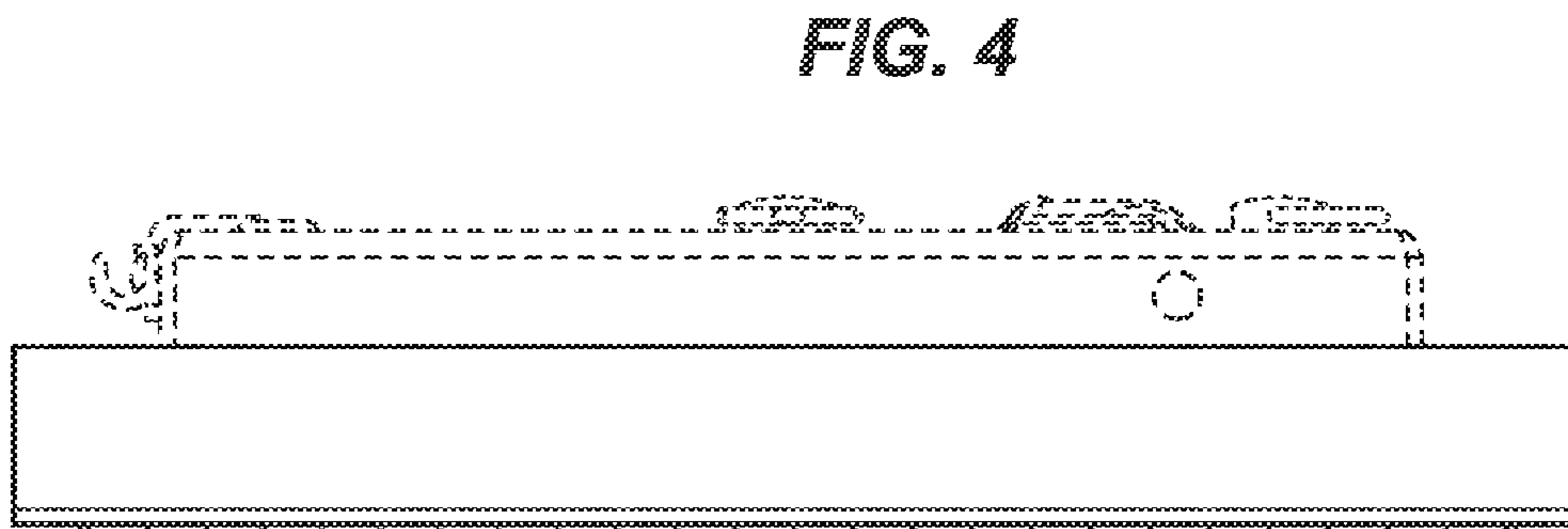


FIG. 4

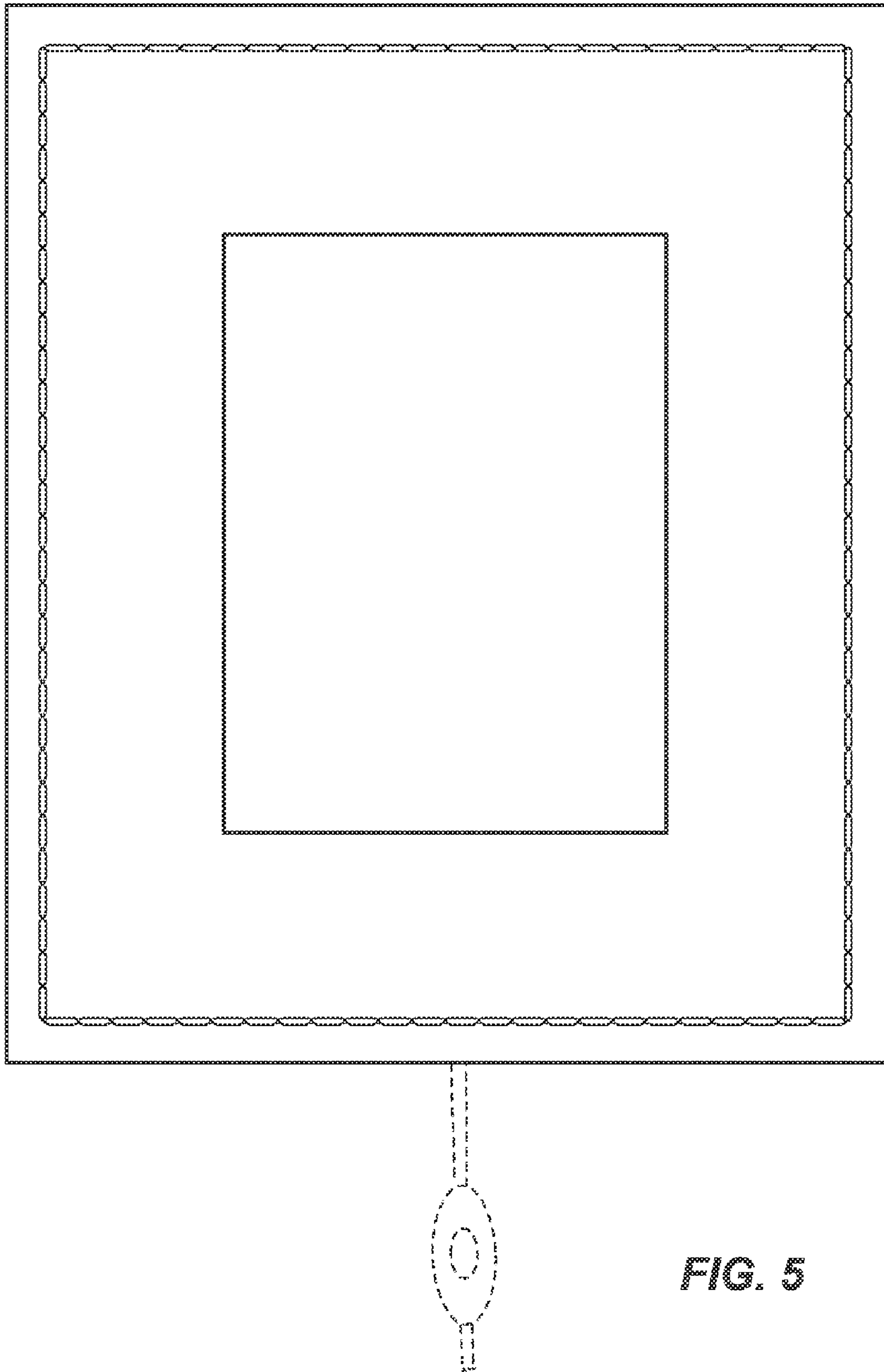


FIG. 5