



US00D636602S

(12) **United States Design Patent**  
**Reisenthel**

(10) **Patent No.:** **US D636,602 S**

(45) **Date of Patent:** **\*\* Apr. 26, 2011**

(54) **SHOPPING BAG**

(76) Inventor: **Peter Reisenthel**, Gilching (DE)

(\*\*) Term: **14 Years**

(21) Appl. No.: **29/359,338**

(22) Filed: **Apr. 8, 2010**

(30) **Foreign Application Priority Data**

Jan. 20, 2010 (EM) ..... 001659152-0002

(51) **LOC (9) Cl.** ..... **03-01**

(52) **U.S. Cl.** ..... **D3/307**

(58) **Field of Classification Search** ..... D3/303,  
D3/307, 232, 243, 273, 276, 304, 315; D9/703;  
150/100, 107, 111

See application file for complete search history.

(56) **References Cited**

**U.S. PATENT DOCUMENTS**

|              |         |                 |       |        |
|--------------|---------|-----------------|-------|--------|
| D218,374 S * | 8/1970  | Kuroda          | ..... | D3/303 |
| D413,724 S * | 9/1999  | Freedman        | ..... | D3/243 |
| D456,991 S * | 5/2002  | Achache         | ..... | D3/233 |
| D457,317 S * | 5/2002  | Steere          | ..... | D3/303 |
| D498,921 S * | 11/2004 | de Baschmakoff  | ..... | D3/243 |
| D504,227 S * | 4/2005  | Delafontaine    | ..... | D3/233 |
| D519,277 S * | 4/2006  | Gonzalez        | ..... | D3/239 |
| D531,402 S * | 11/2006 | Sofy            | ..... | D3/235 |
| D539,033 S * | 3/2007  | Cassegrain      | ..... | D3/246 |
| D590,156 S * | 4/2009  | de Vries-Peters | ..... | D3/303 |

|              |         |                 |       |        |
|--------------|---------|-----------------|-------|--------|
| D593,752 S * | 6/2009  | de Natale       | ..... | D3/303 |
| D600,909 S * | 9/2009  | Crook           | ..... | D3/232 |
| D604,048 S * | 11/2009 | Dinsmore et al. | ..... | D3/318 |
| D606,747 S * | 12/2009 | Braccialini     | ..... | D3/238 |
| D610,345 S * | 2/2010  | Orietti Carella | ..... | D3/243 |
| D617,560 S * | 6/2010  | Wu              | ..... | D3/318 |
| D620,249 S * | 7/2010  | Yu              | ..... | D3/232 |

\* cited by examiner

*Primary Examiner* — Elizabeth A Albert

*Assistant Examiner* — Kelley A Donnelly

(74) *Attorney, Agent, or Firm* — Mayback & Hoffman, P.A.;  
Gregory L. Mayback; Katie M. Blakley

(57) **CLAIM**

The ornamental design for a shopping bag, as shown and described.

**DESCRIPTION**

FIG. 1 is a front view of a shopping bag according to the present invention;

FIG. 2 is a rear view thereof;

FIG. 3 is a top view thereof;

FIG. 4 is a bottom view thereof;

FIG. 5 is a front perspective view thereof;

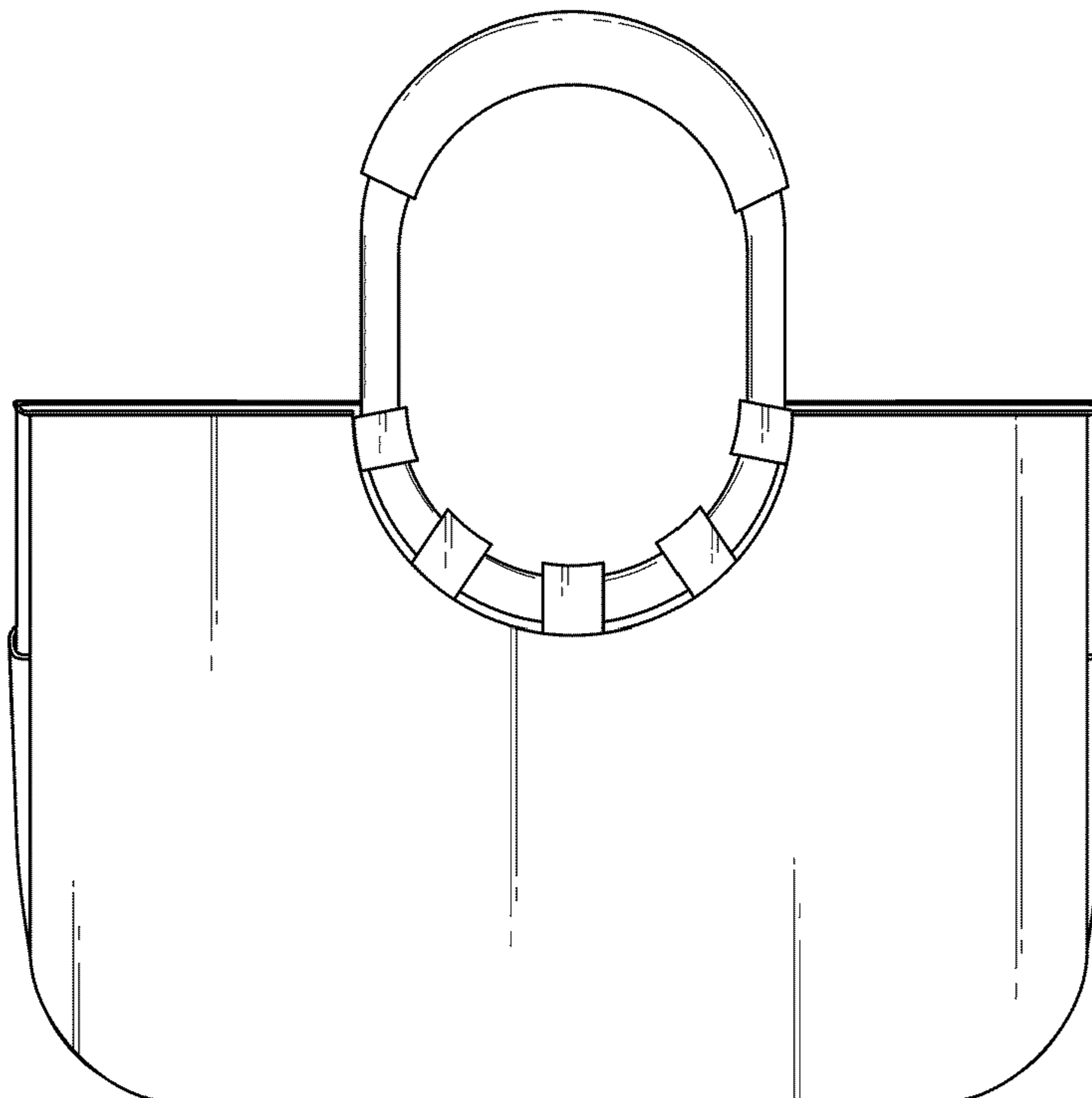
FIG. 6 is a rear perspective view thereof;

FIG. 7 is a left side view thereof; and,

FIG. 8 is a right side view thereof.

The broken lines of feet and a tag are for the purpose of illustrating environment of the design and form no part of the claimed design.

**1 Claim, 4 Drawing Sheets**



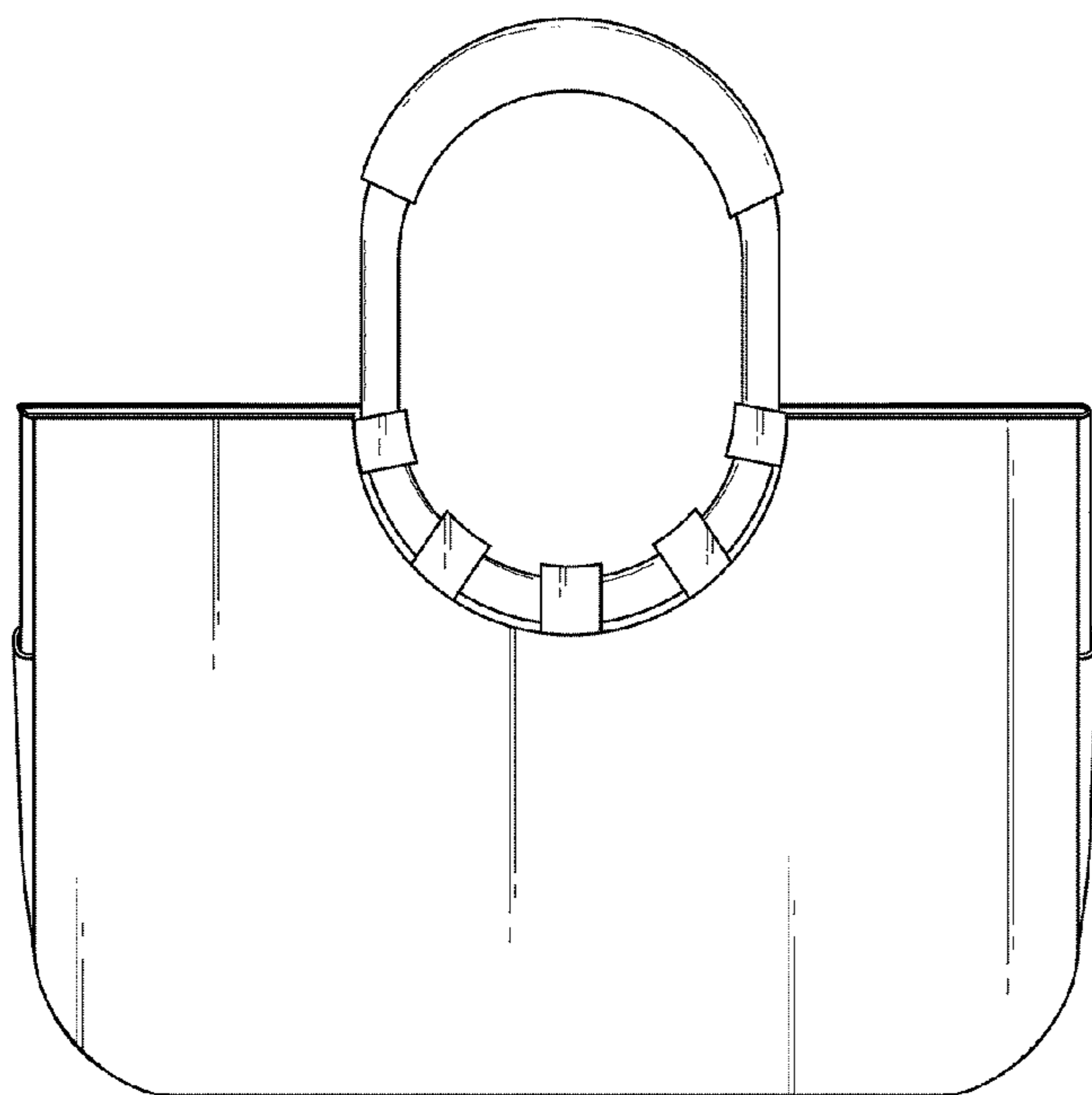


FIG. 1

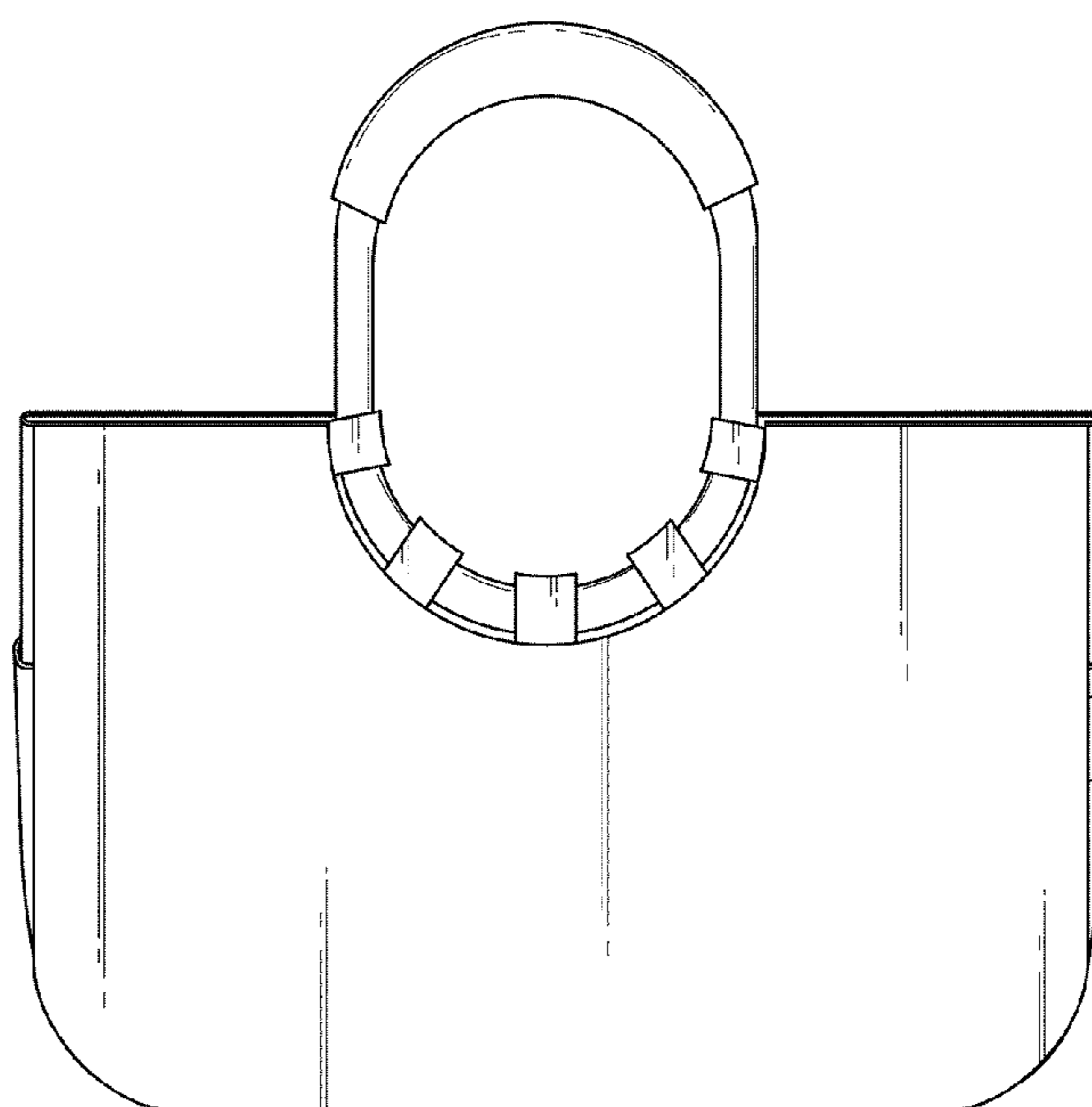
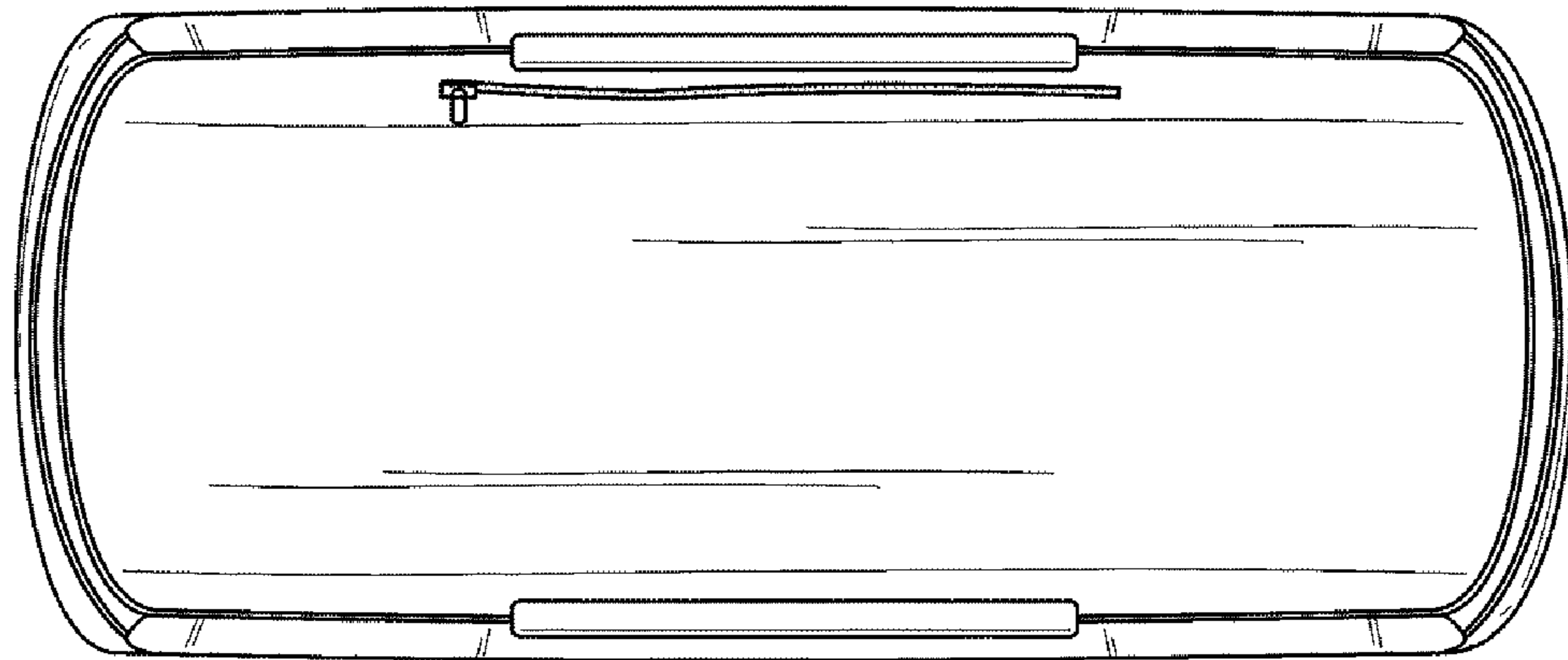
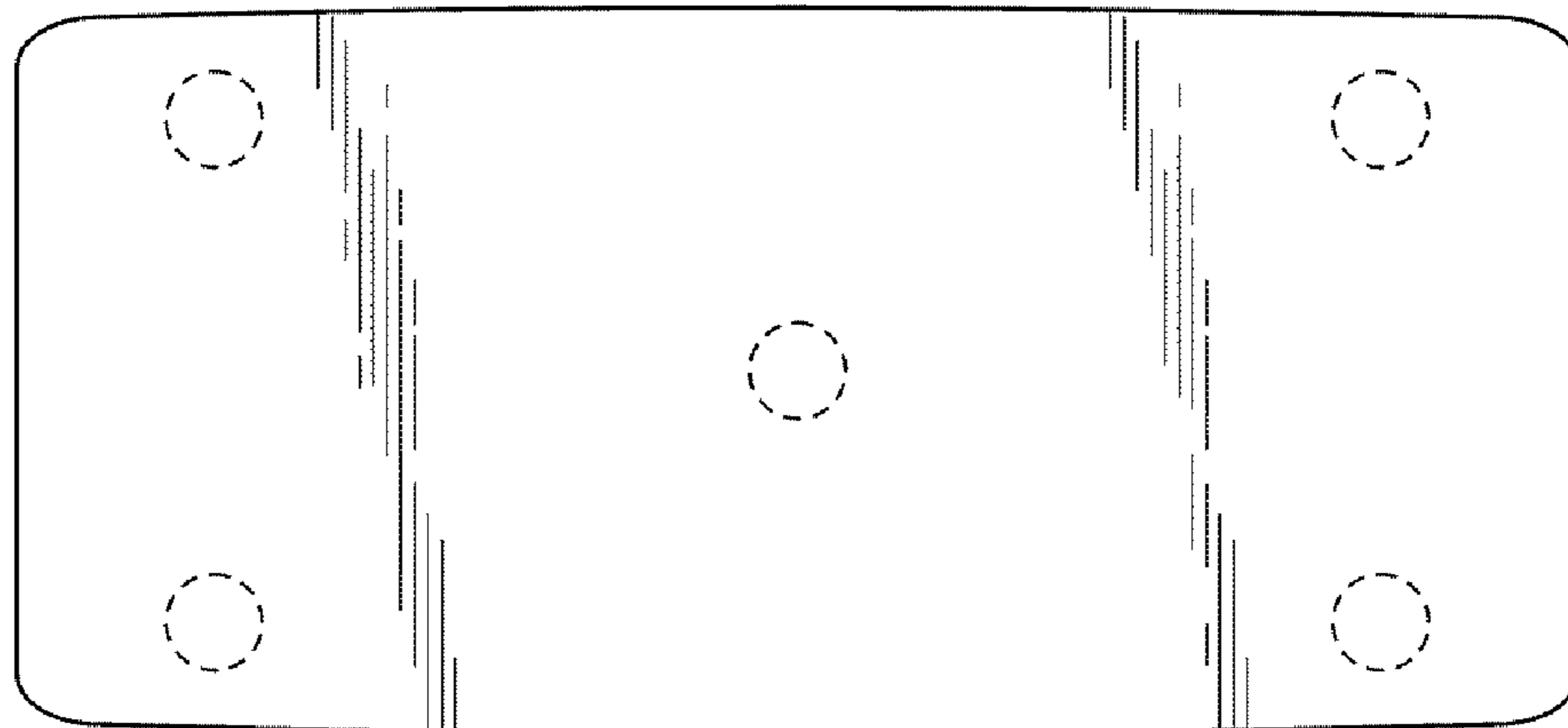


FIG. 2



**FIG. 3**



**FIG. 4**

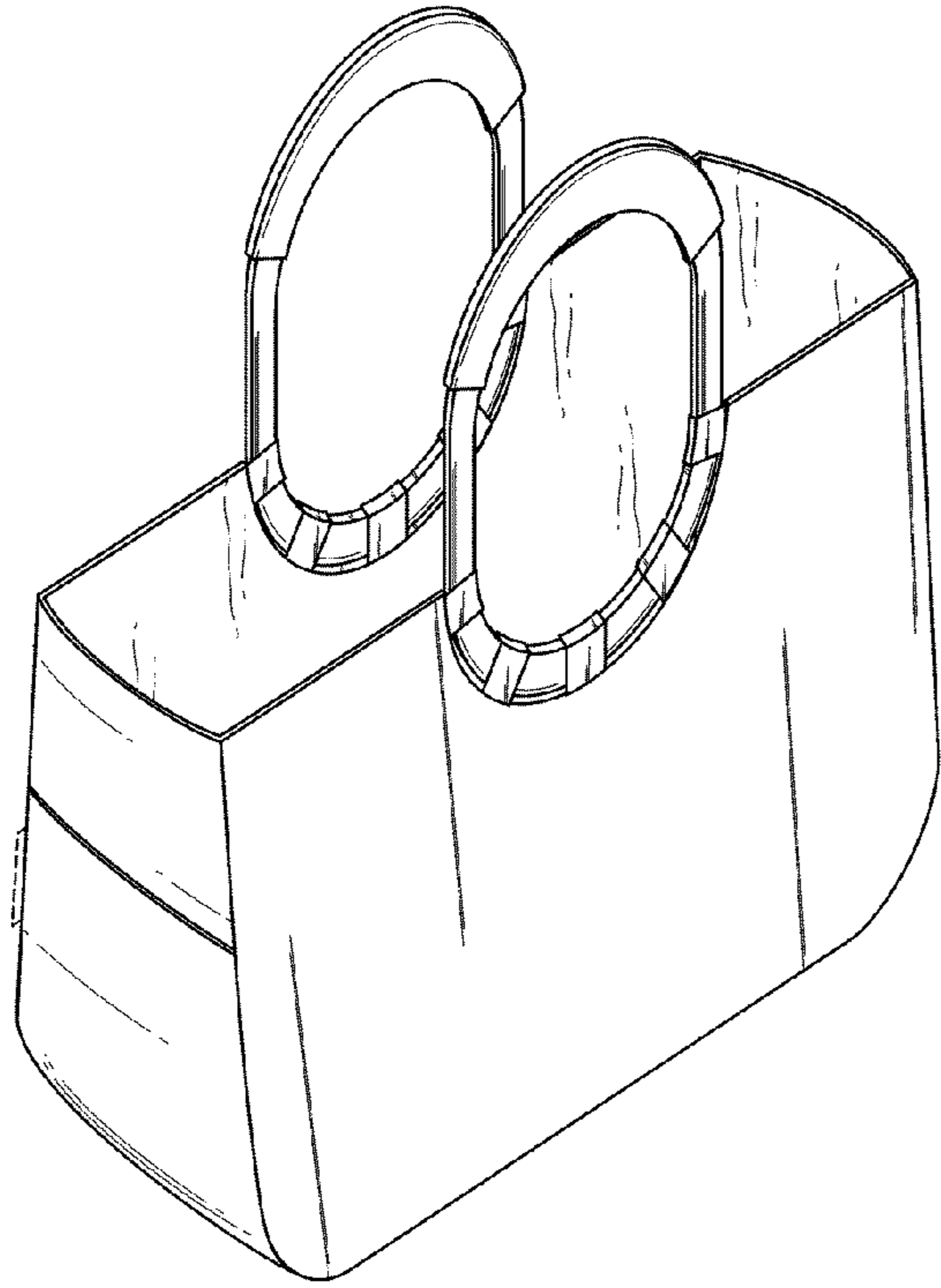


FIG. 5

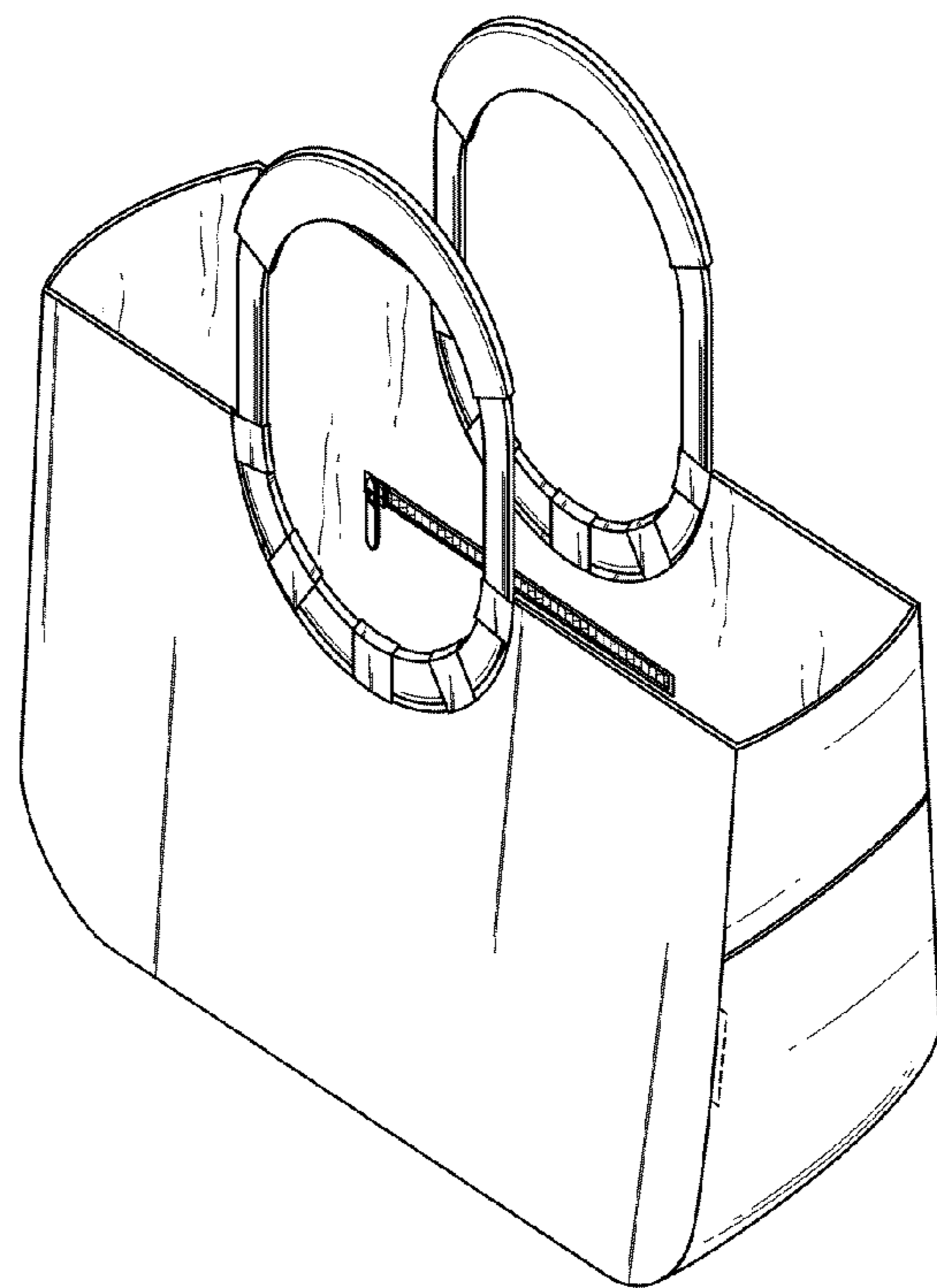
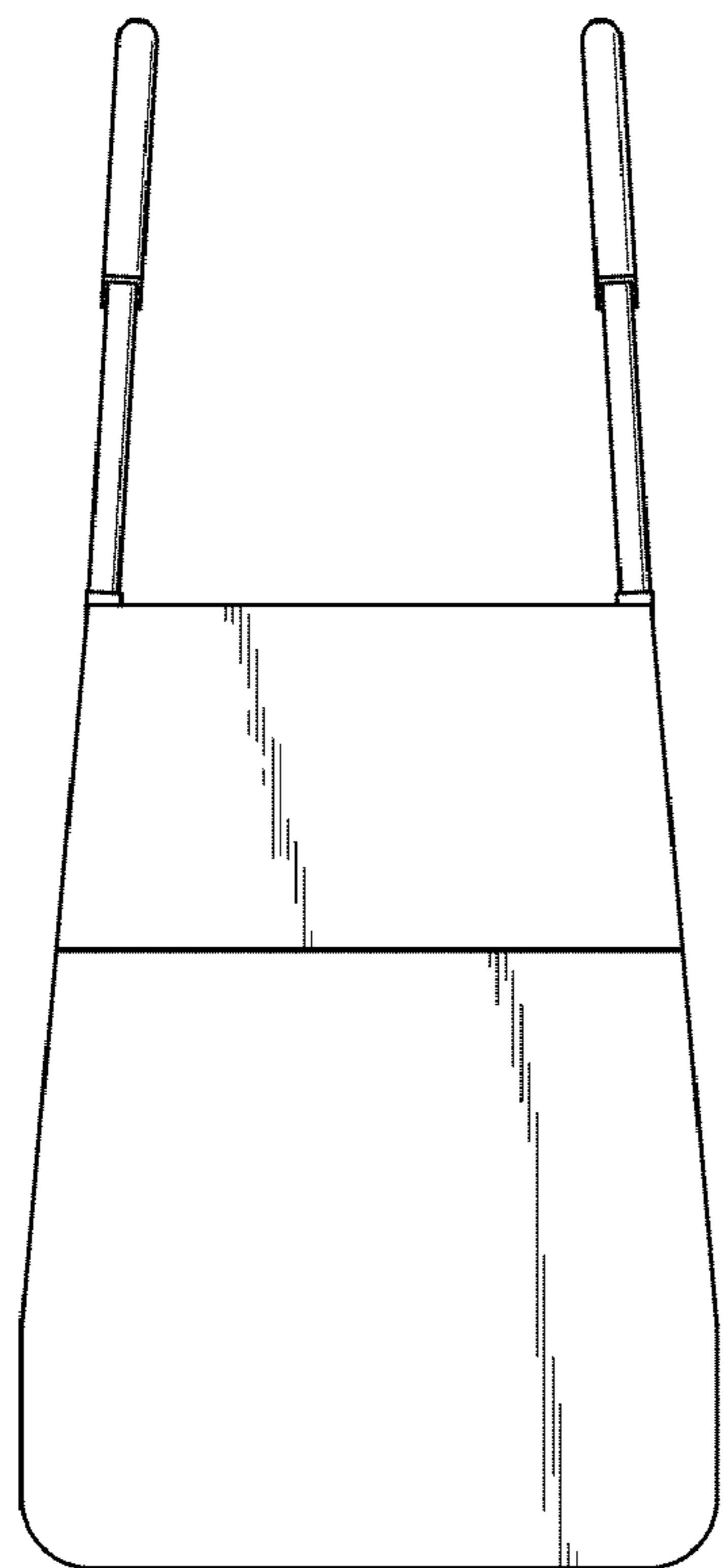
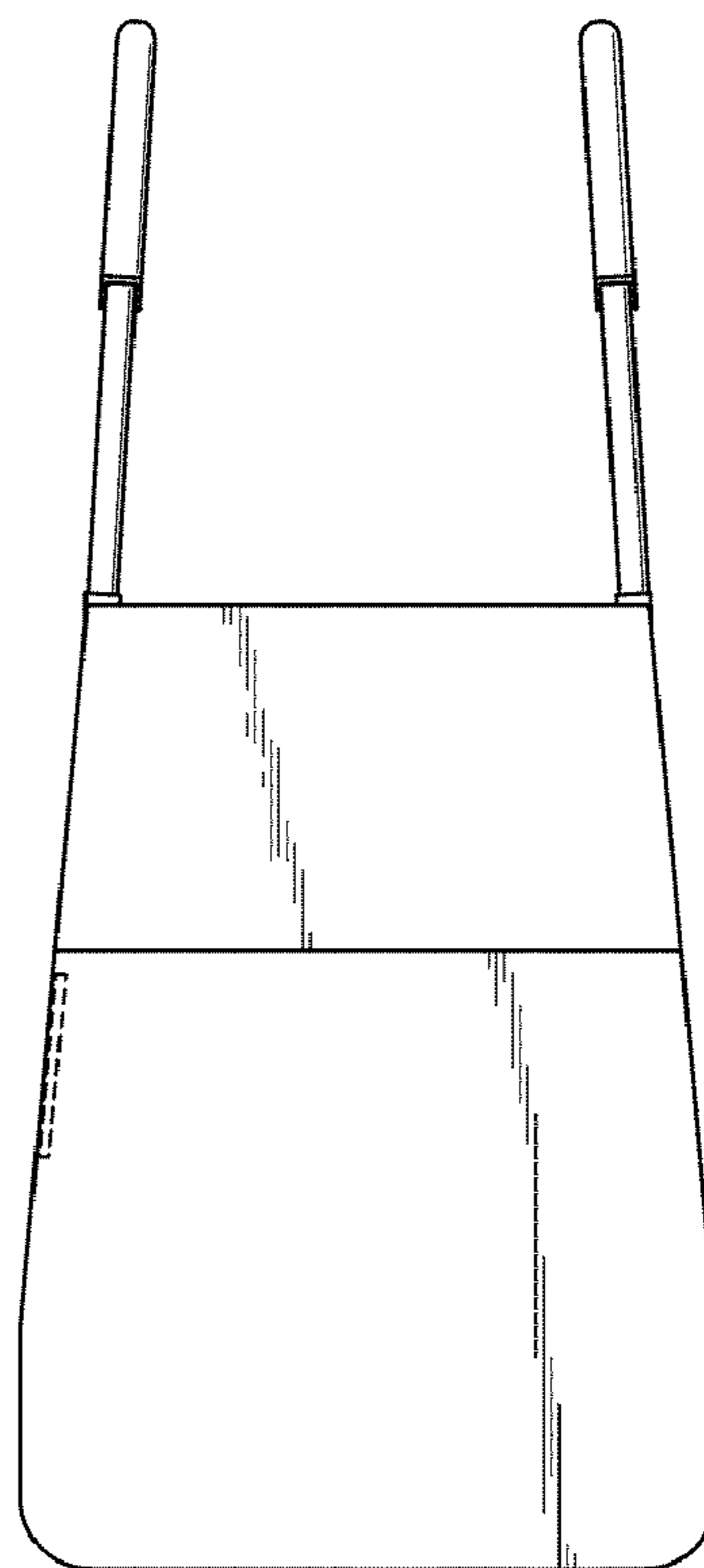


FIG. 6



**FIG. 7**



**FIG. 8**