



US00D636601S

(12) **United States Design Patent**  
**Brown et al.**

(10) **Patent No.:** **US D636,601 S**

(45) **Date of Patent:** **\*\* Apr. 26, 2011**

- (54) **TWO TONE STORAGE BIN**
- (75) Inventors: **Jerrold Brown**, Medina, OH (US);  
**Travis Shamp**, Akron, OH (US)
- (73) Assignee: **Akro-Mils, Inc.**, Akron, OH (US)
- (\*\*) Term: **14 Years**
- (21) Appl. No.: **29/366,544**
- (22) Filed: **Jul. 27, 2010**
- (51) **LOC (9) Cl.** ..... **03-01**
- (52) **U.S. Cl.** ..... **D3/304**
- (58) **Field of Classification Search** ..... D3/304,  
D3/307, 315; D7/601-603, 605, 708; D9/414,  
D9/424-426, 429; 206/315.1, 503, 505;  
220/662, 669, 672  
See application file for complete search history.

- D583,562 S \* 12/2008 Ghiorghie ..... D3/304
- D606,313 S \* 12/2009 Neilsen ..... D3/304
- D606,314 S \* 12/2009 Neilsen ..... D3/313
- D621,619 S \* 8/2010 Ripoll ..... D3/304
- 2009/0084786 A1 \* 4/2009 Claypool et al. .... 220/254.9
- 2009/0178989 A1 \* 7/2009 Accuardi ..... 211/126.7
- \* cited by examiner

*Primary Examiner* — Elizabeth A Albert  
*Assistant Examiner* — Kelley A Donnelly  
 (74) *Attorney, Agent, or Firm* — Mattingly & Malur, P.C.

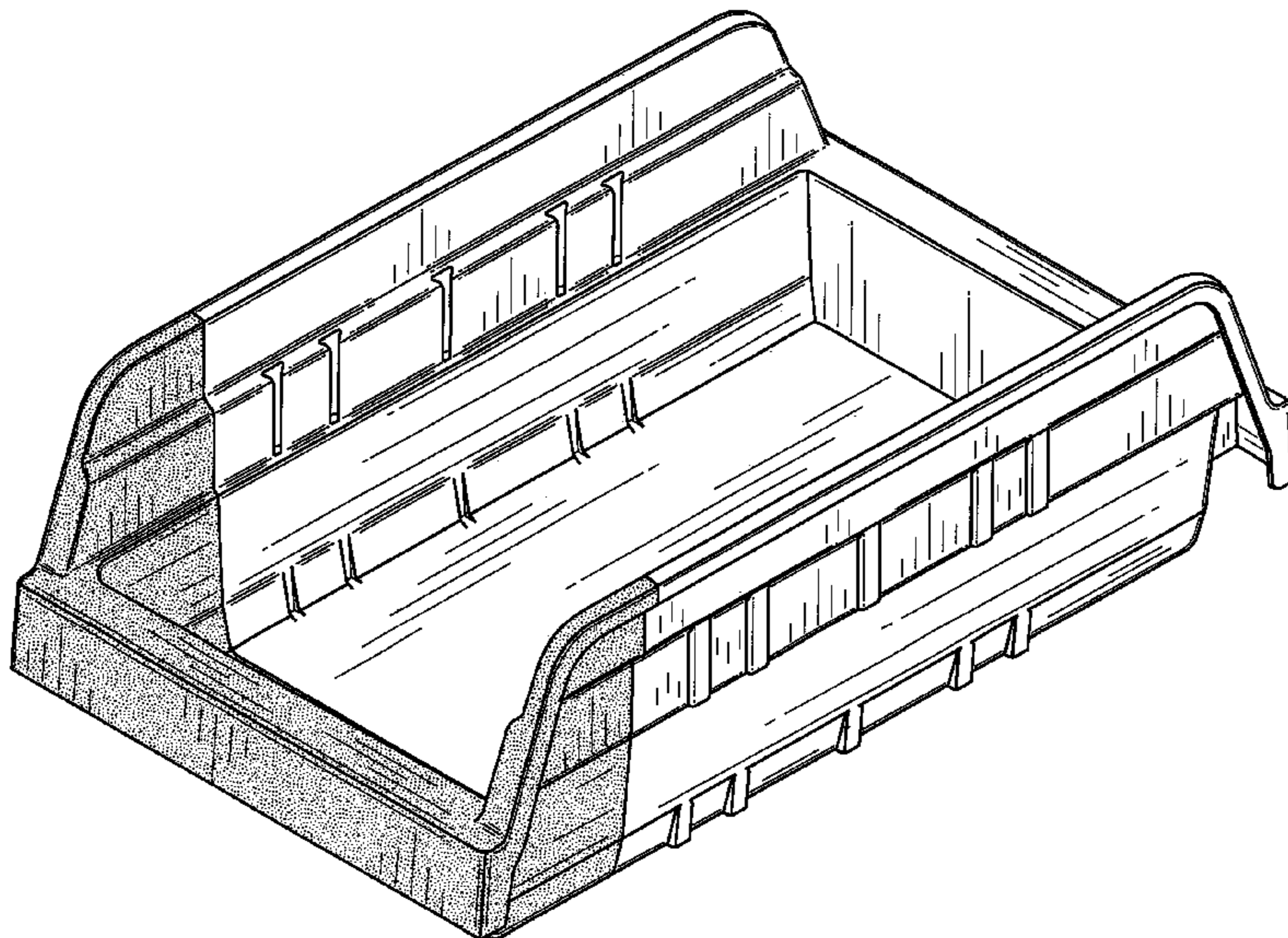
(57) **CLAIM**  
 The ornamental design for a two tone storage bin, as shown and described.

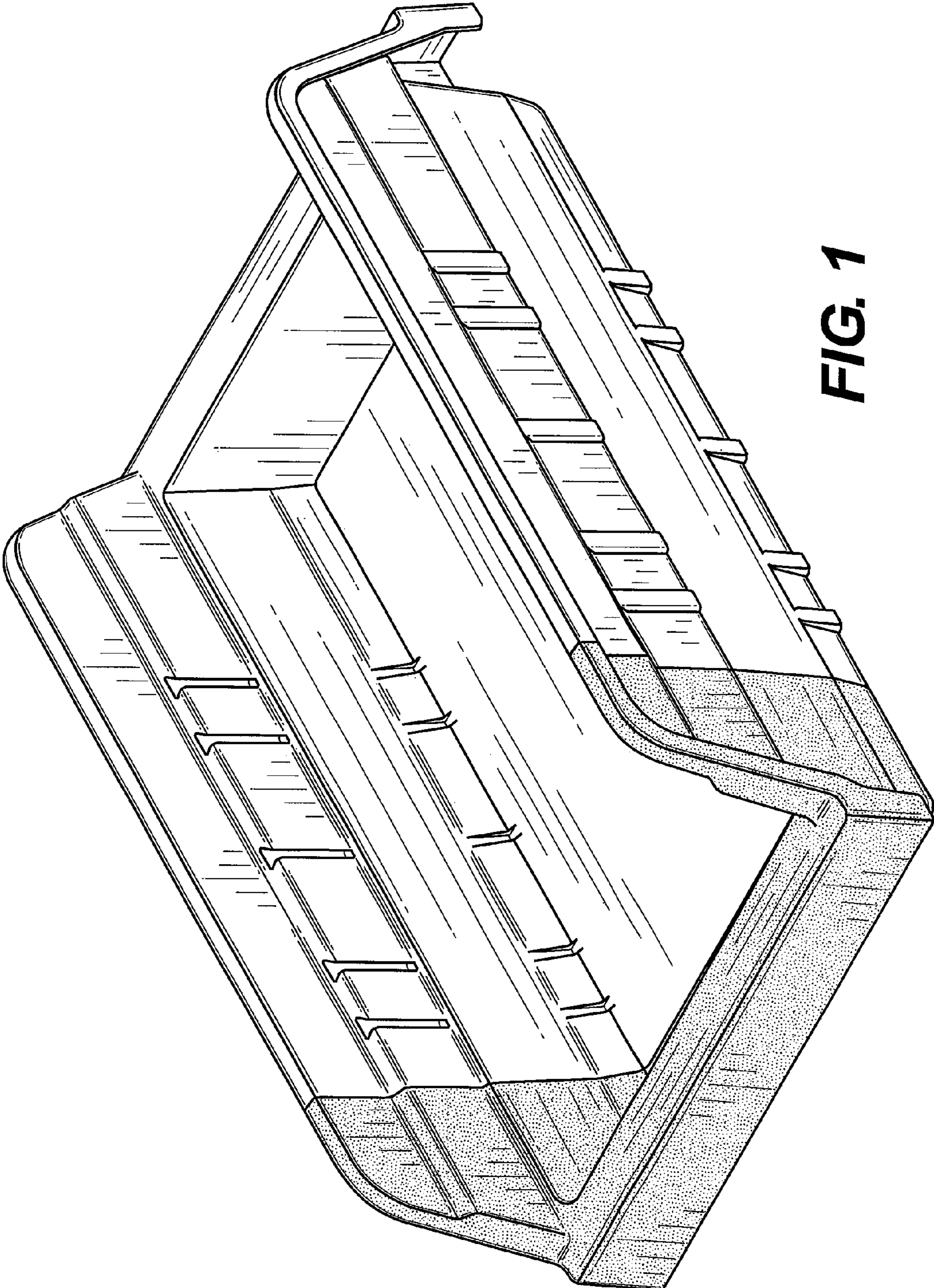
**DESCRIPTION**

FIG. 1 is a rear perspective view of a first embodiment of a two tone storage bin showing the new design; FIG. 2 is a rear elevational view thereof; FIG. 3 is a front elevational view thereof; FIG. 4 is a left side elevational view thereof; FIG. 5 is a right side elevational view thereof; FIG. 6 is a top plan view thereof; FIG. 7 is a bottom plan view thereof; FIG. 8 is a rear perspective view of a second embodiment of the two tone storage bin, the second embodiment being identical to the first embodiment except for the addition of a divider wall in the center thereof; FIG. 9 is a rear elevational view thereof; FIG. 10 is a front elevational view thereof; and, FIG. 11 is a top plan view thereof. The stippling that can be seen on the rear portion of the claimed design is a type of shading that represents a type of surface material. The broken lines are for the purpose of illustrating the environment of the article only and form no part of the claimed design.

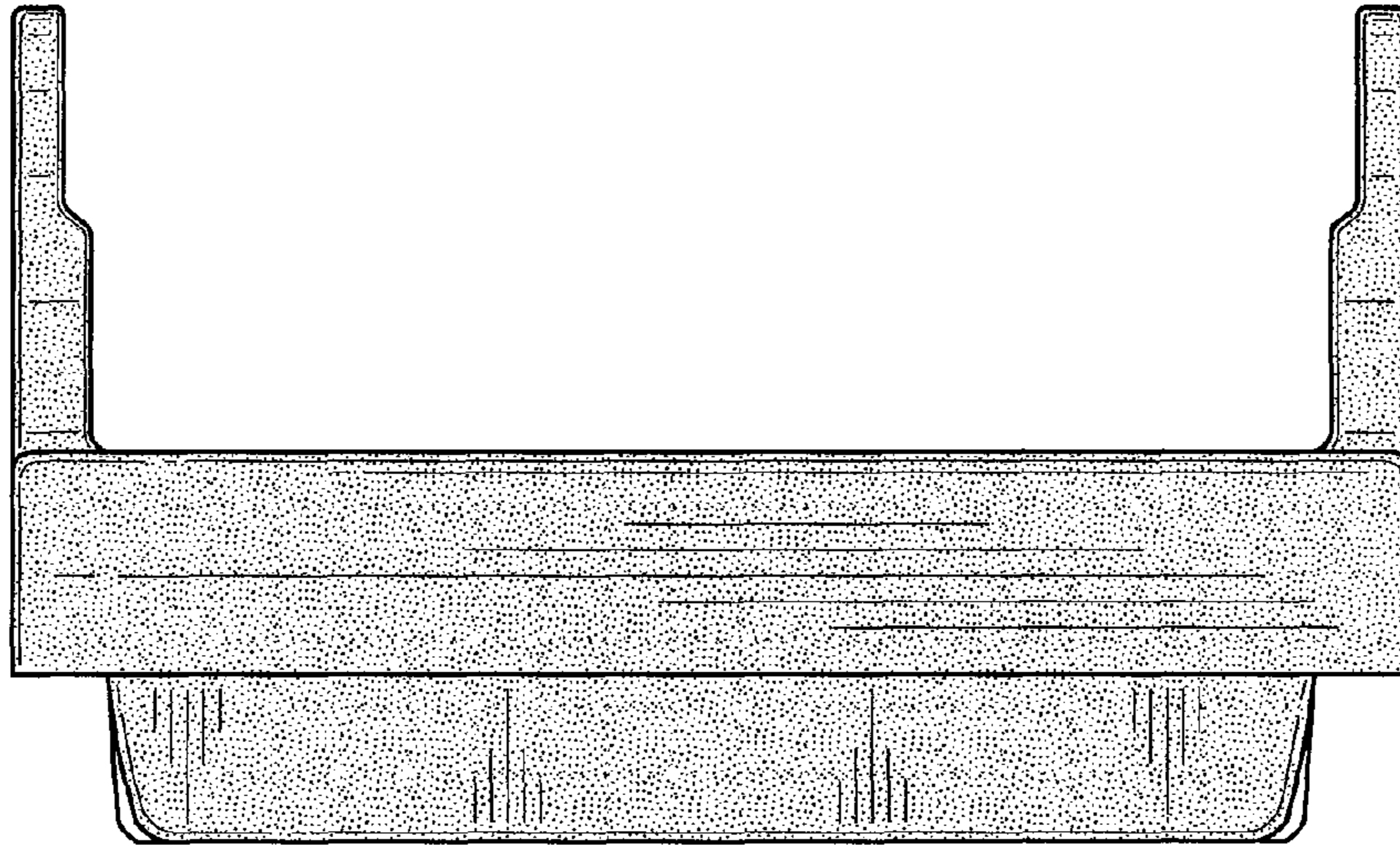
- (56) **References Cited**
- U.S. PATENT DOCUMENTS
- 3,113,680 A \* 12/1963 Frater et al. .... 211/126.4
- 3,478,892 A \* 11/1969 Lockwood ..... 211/126.2
- 3,534,866 A \* 10/1970 Asenbauer ..... 211/126.2
- 3,942,851 A 3/1976 Kaplan
- D242,659 S \* 12/1976 Clipson et al. .... D3/307
- D270,678 S 9/1983 Stein
- D282,883 S \* 3/1986 Kiiski ..... D3/304
- D301,927 S \* 6/1989 Williams, Jr. .... D3/304
- D304,120 S \* 10/1989 Buchanan et al. .... D3/294
- D311,800 S 10/1990 Kiiski
- D327,560 S \* 6/1992 Hradisky ..... D3/307
- D327,561 S \* 6/1992 Hradisky ..... D3/307
- D327,971 S 7/1992 Cugley
- D409,387 S \* 5/1999 Yemini ..... D3/307
- 6,062,388 A \* 5/2000 Ohayon ..... 206/509
- D465,332 S 11/2002 Brown
- 6,986,437 B2 1/2006 Jalet et al.
- D517,319 S \* 3/2006 Wisnoski et al. .... D3/304
- D538,539 S \* 3/2007 Richardson et al. .... D3/314
- D581,670 S \* 12/2008 Neilsen ..... D3/304

**1 Claim, 9 Drawing Sheets**

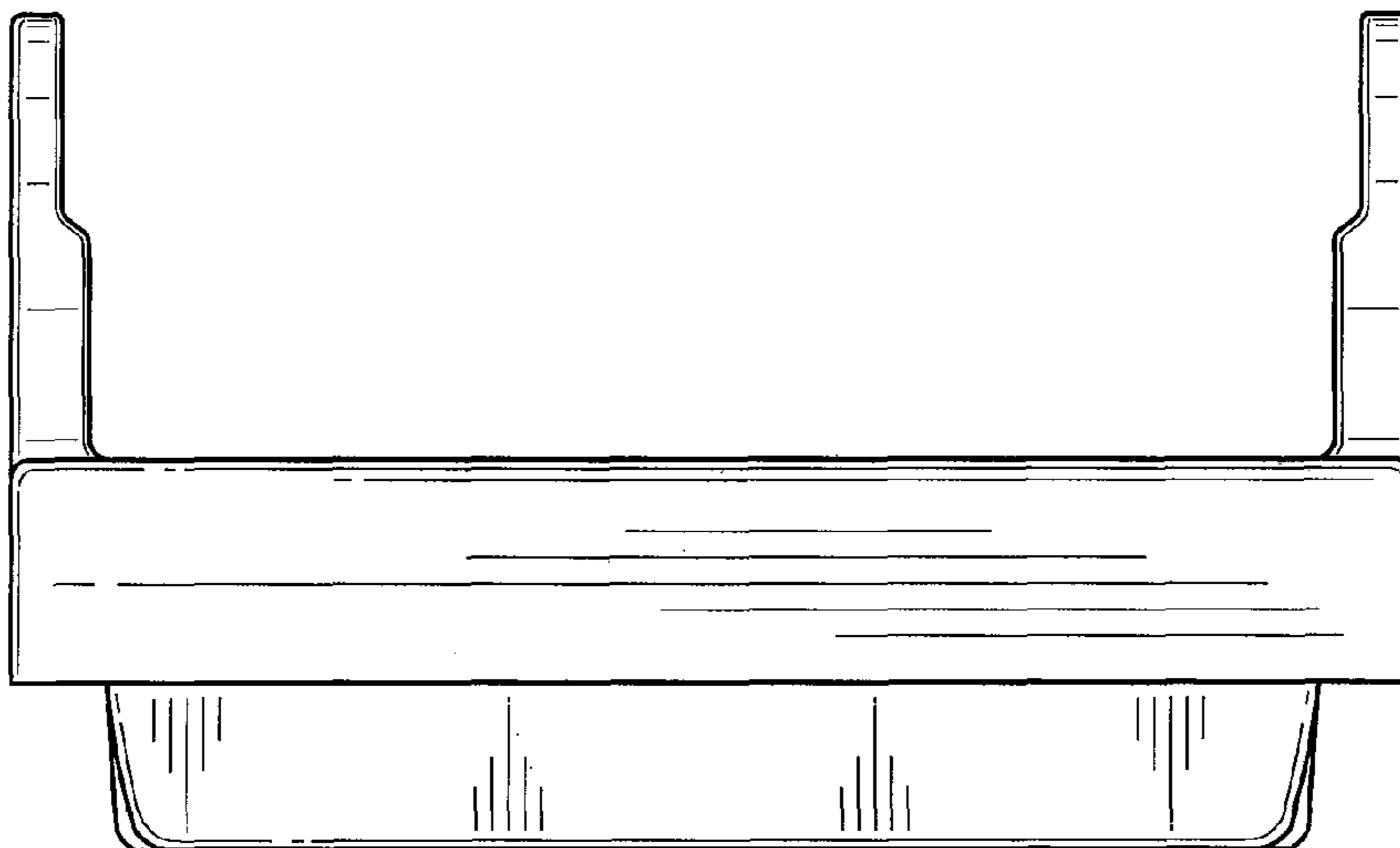




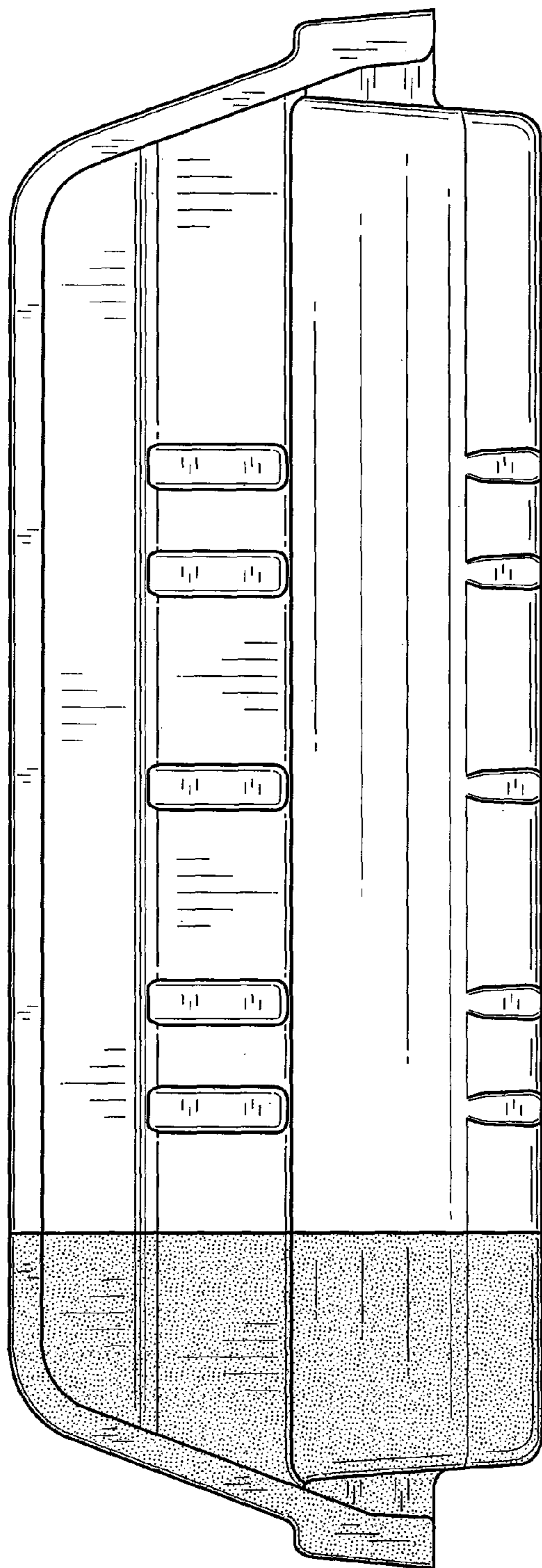
**FIG. 1**



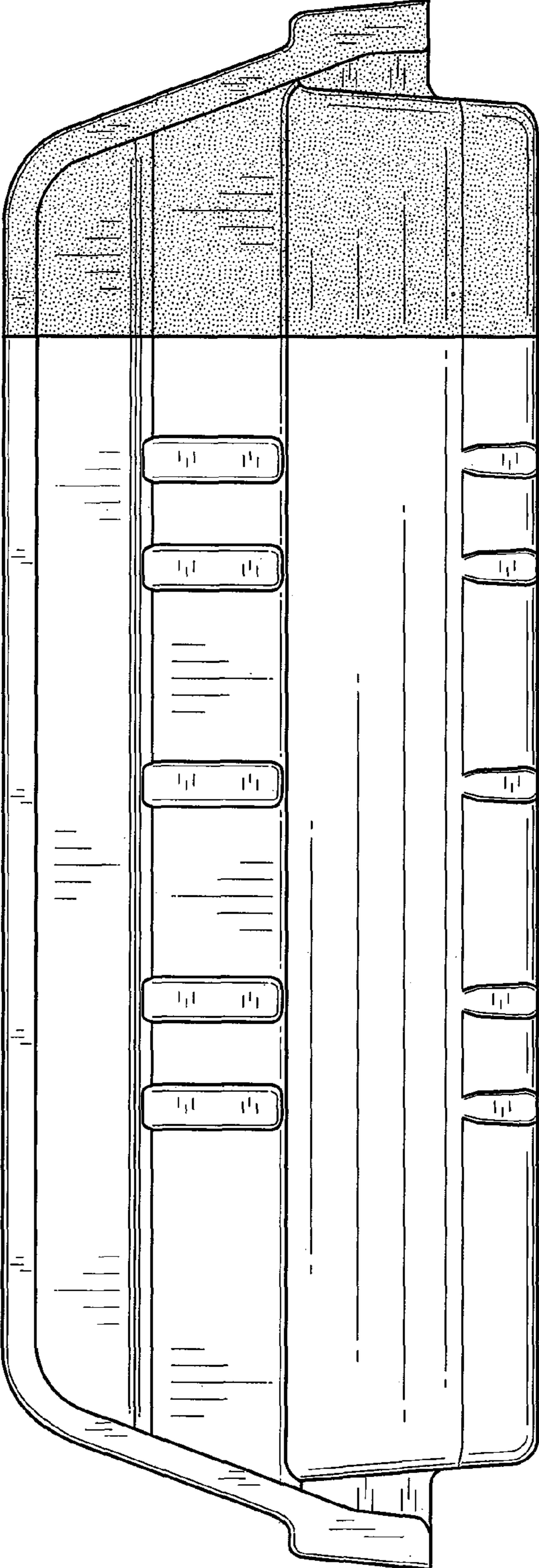
**FIG. 2**



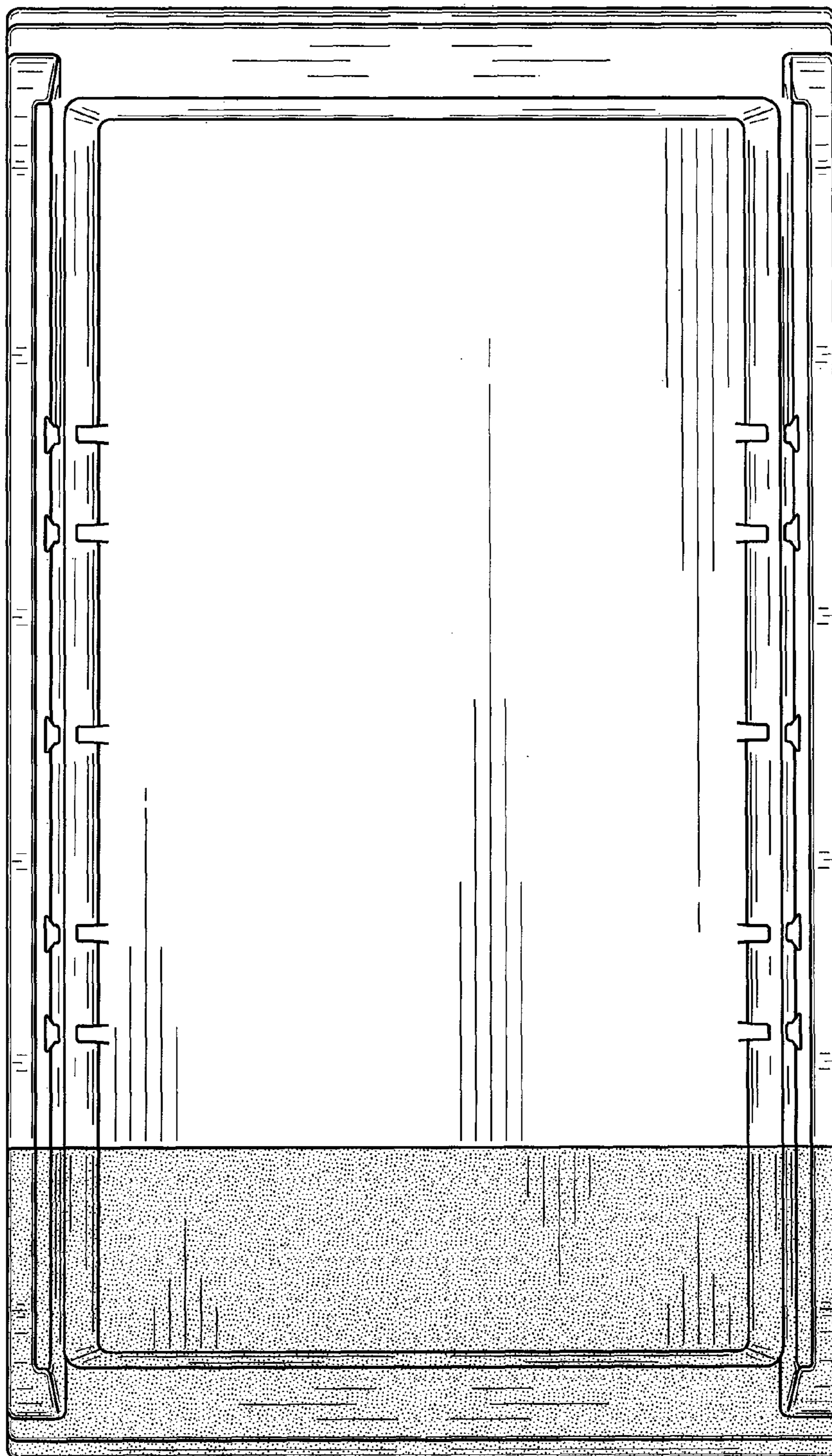
**FIG. 3**



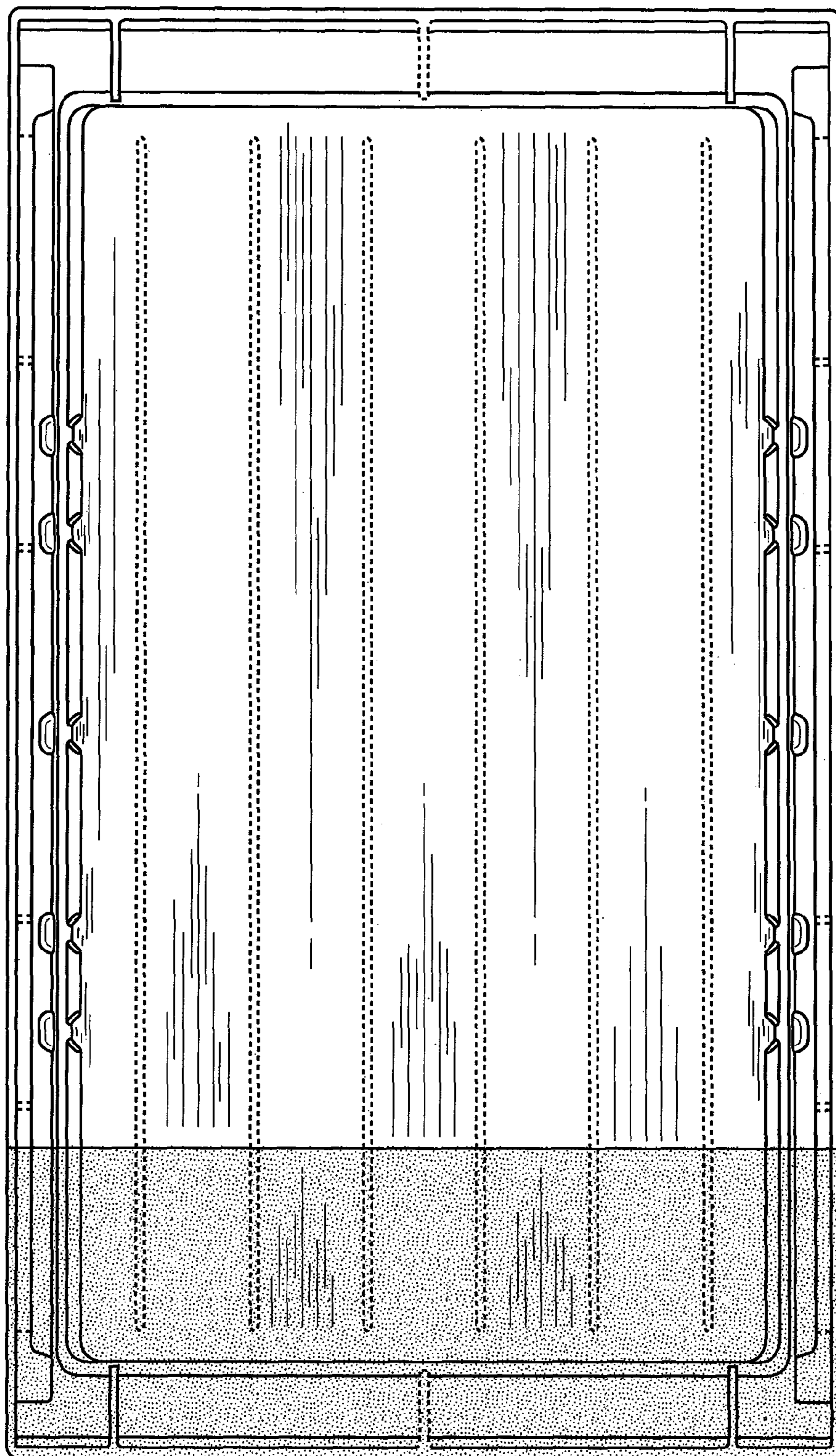
**FIG. 4**



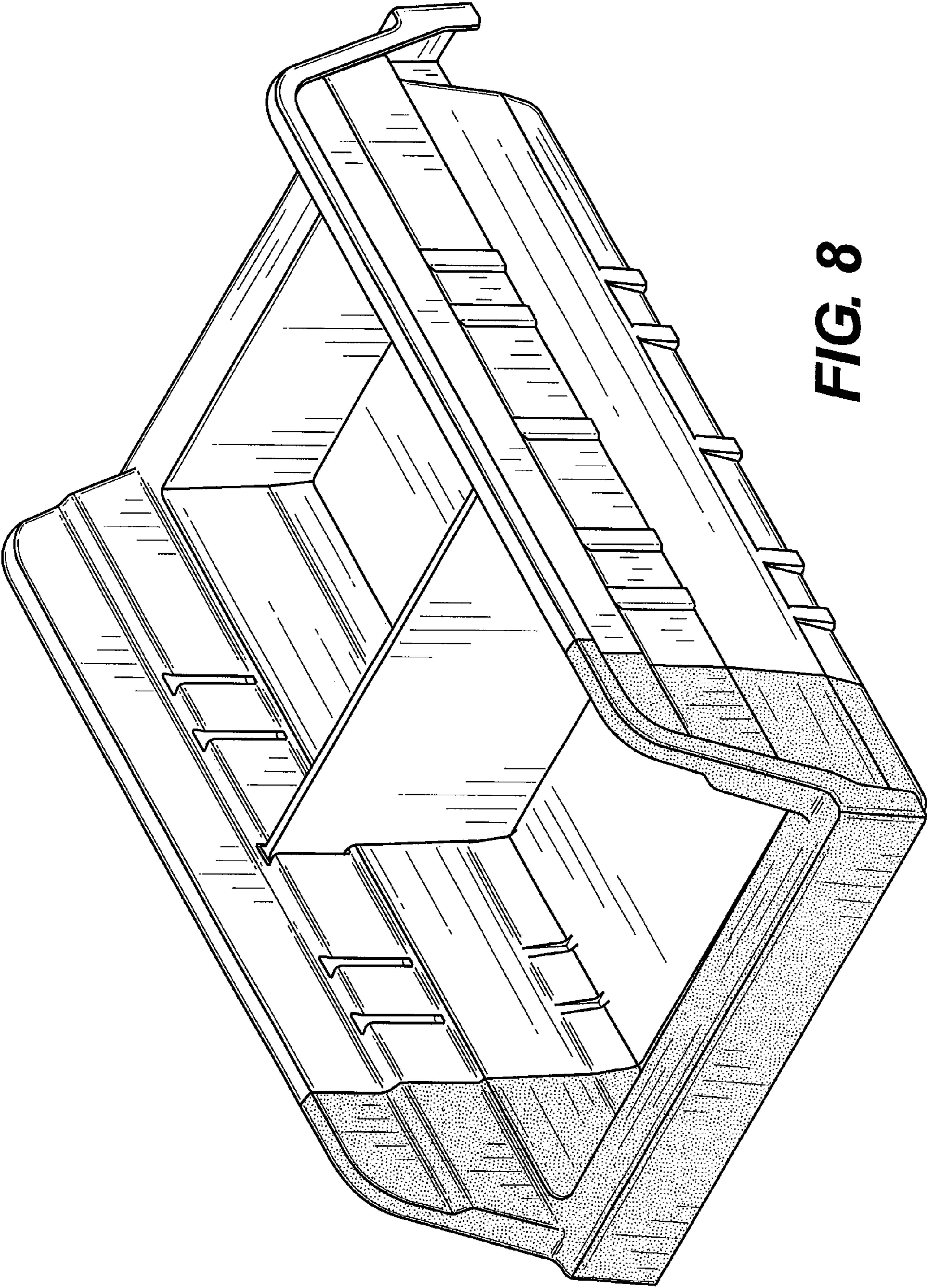
**FIG. 5**



**FIG. 6**

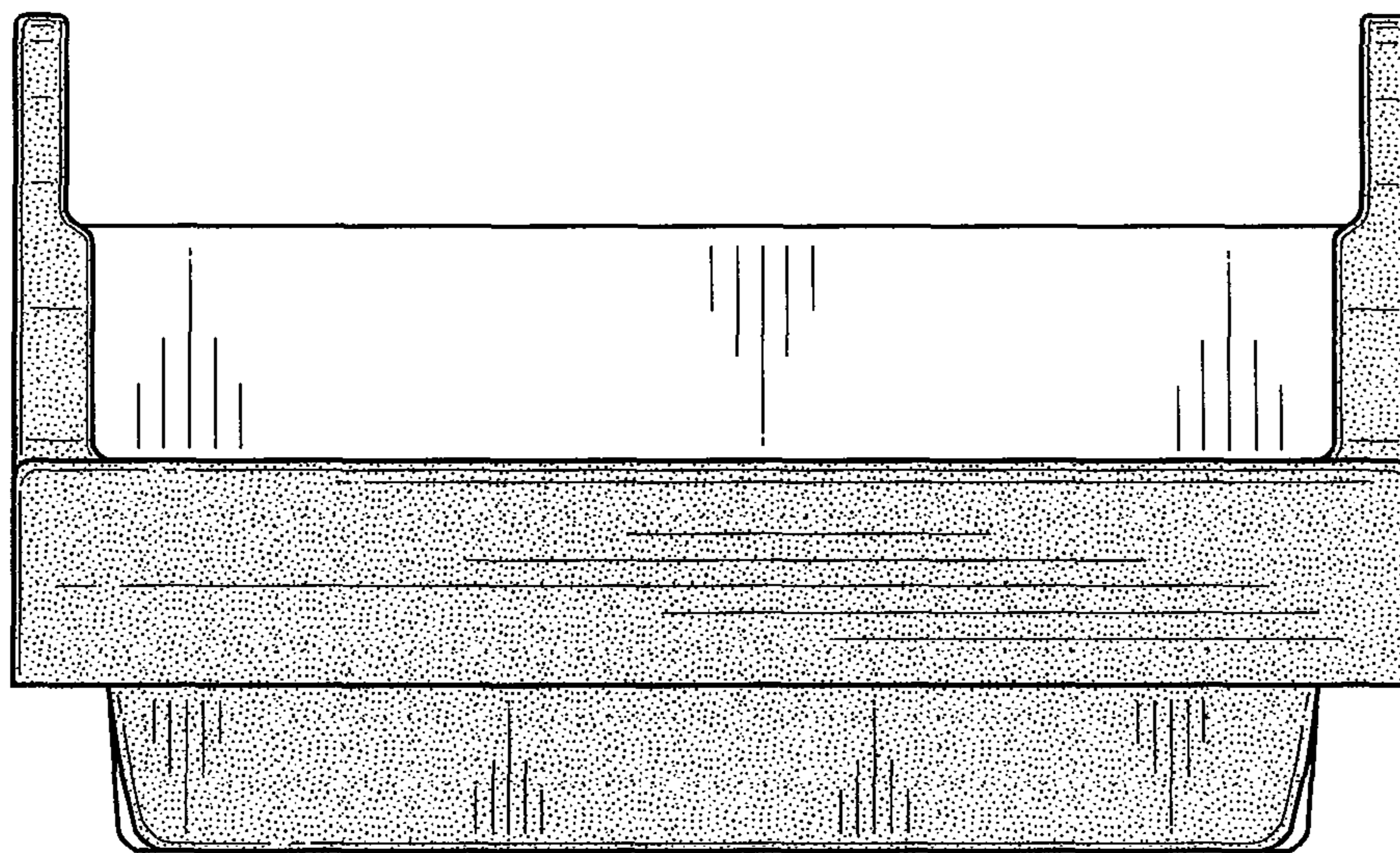


**FIG. 7**

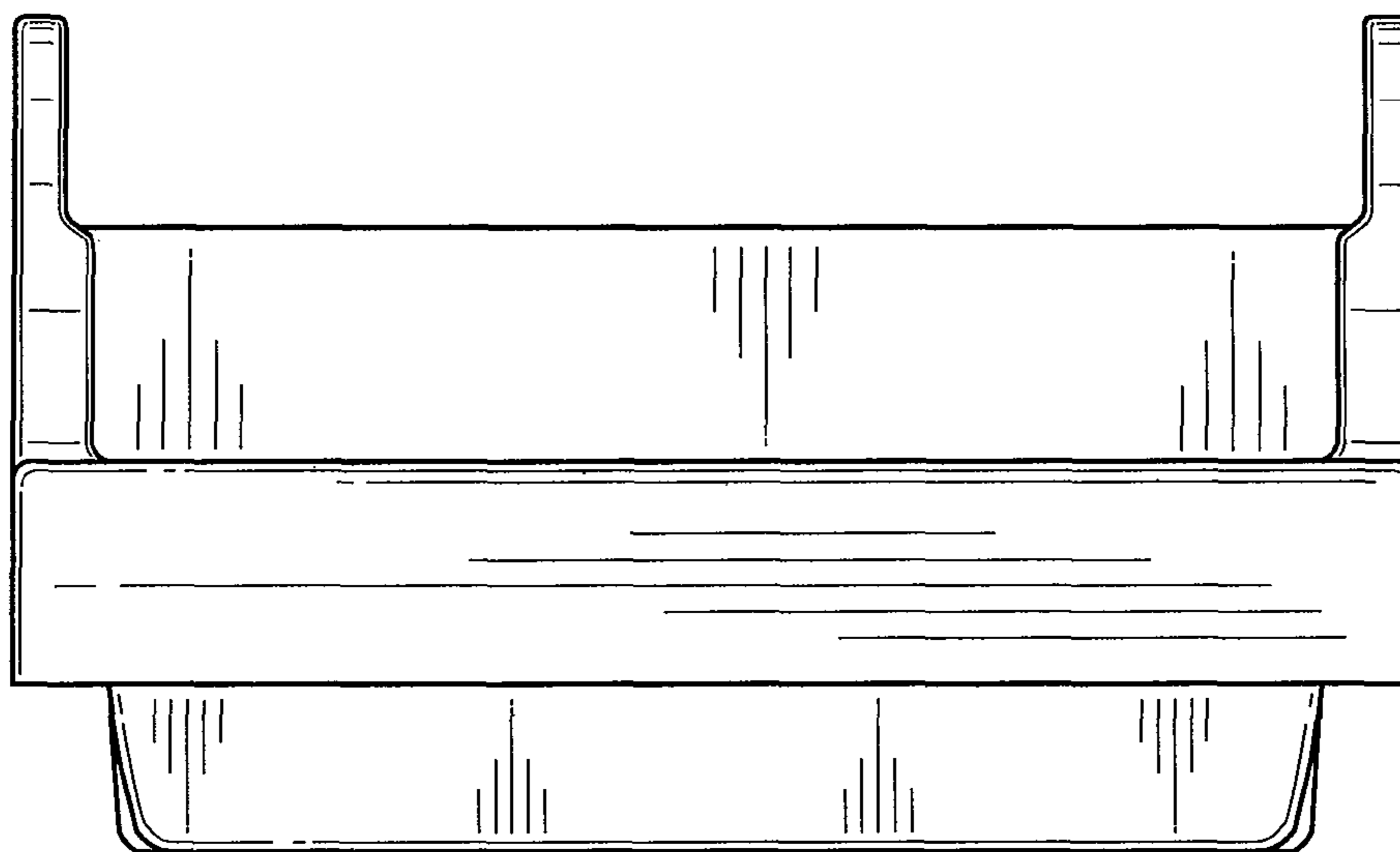


**FIG. 8**

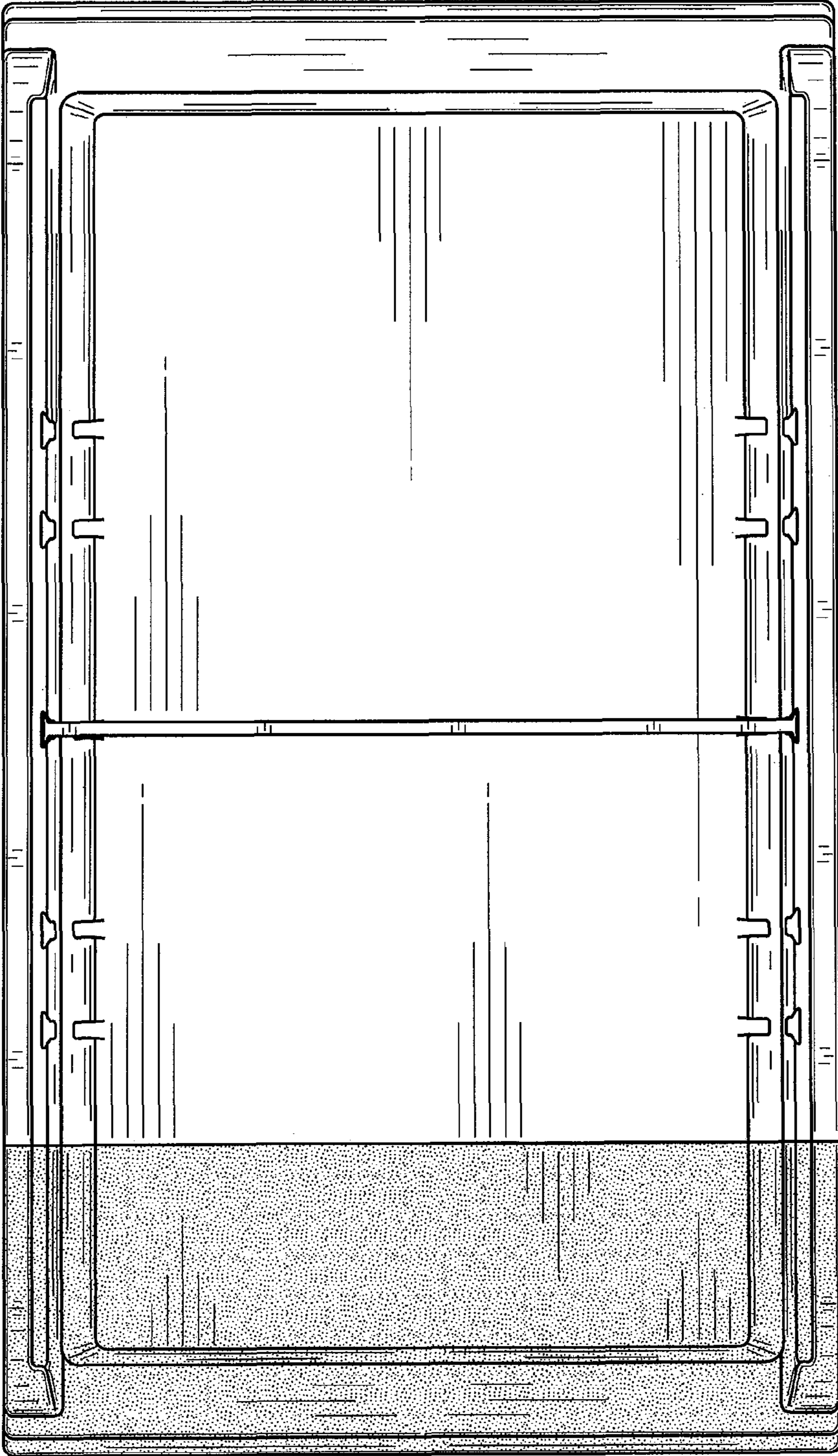




**FIG. 9**



**FIG. 10**



**FIG. 11**