

US00D636600S

(12) **United States Design Patent**  
**Webb et al.**

(10) **Patent No.:** **US D636,600 S**

(45) **Date of Patent:** **\*\* Apr. 26, 2011**

(54) **GARMENT CARRIER**

(75) Inventors: **Richard Sebastian Hawksley Webb**,  
Surrey (GB); **David Henley Fawkes**,  
Leicester (GB); **Gary James Astill**,  
Coalville (GB)

(73) Assignee: **Lakeside Pte. Ltd.**, Singapore (SG)

(\*\*) Term: **14 Years**

(21) Appl. No.: **29/352,048**

(22) Filed: **Dec. 15, 2009**

(30) **Foreign Application Priority Data**

Jun. 19, 2009 (SG) ..... D2009/489/Z

(51) **LOC (9) Cl.** ..... **03-01**

(52) **U.S. Cl.** ..... **D3/299**

(58) **Field of Classification Search** ..... D3/201,  
D3/203.1, 203.6, 205–206, 273, 299, 301,  
D3/900, 901; 190/100, 115; 206/223, 569–570,  
206/581, 823

See application file for complete search history.

(56) **References Cited**

**U.S. PATENT DOCUMENTS**

|           |     |         |             |       |         |
|-----------|-----|---------|-------------|-------|---------|
| 1,094,009 | A * | 4/1914  | Parkhurst   | ..... | 206/373 |
| D135,106  | S * | 2/1943  | Schenker    | ..... | D3/299  |
| D168,393  | S * | 12/1952 | Bourcart    | ..... | D3/299  |
| 3,999,639 | A * | 12/1976 | Walters     | ..... | 190/102 |
| 4,390,096 | A * | 6/1983  | Goldenberg  | ..... | 206/390 |
| D271,266  | S * | 11/1983 | Thom        | ..... | D6/595  |
| D276,004  | S * | 10/1984 | Mink        | ..... | D3/299  |
| D291,586  | S * | 8/1987  | Bourret     | ..... | D21/686 |
| D312,899  | S * | 12/1990 | Faulkner    | ..... | D32/8   |
| D324,953  | S * | 3/1992  | Swanner     | ..... | D12/416 |
| D332,697  | S * | 1/1993  | Schildkraut | ..... | D3/303  |
| D336,986  | S * | 7/1993  | Seymour     | ..... | D3/233  |
| D336,988  | S * | 7/1993  | Wehrley     | ..... | D3/278  |
| 5,413,198 | A   | 5/1995  | Ferris      |       |         |

|              |      |         |                      |       |           |
|--------------|------|---------|----------------------|-------|-----------|
| D360,795     | S *  | 8/1995  | Saunders             | ..... | D6/601    |
| D376,692     | S *  | 12/1996 | Hartman              | ..... | D3/315    |
| 5,628,398    | A *  | 5/1997  | Jackson              | ..... | 206/287.1 |
| 5,887,711    | A *  | 3/1999  | McAuliffe            | ..... | 206/292   |
| 6,237,761    | B1   | 5/2001  | Godshaw et al.       |       |           |
| D499,548     | S *  | 12/2004 | Deutschendorf et al. | ..... | D3/278    |
| 6,830,148    | B2 * | 12/2004 | Glaser et al.        | ..... | 206/287.1 |
| 7,207,426    | B2 * | 4/2007  | Godshaw et al.       | ..... | 190/1     |
| D552,349     | S *  | 10/2007 | Greiner              | ..... | D3/279    |
| D560,511     | S *  | 1/2008  | Kim et al.           | ..... | D9/702    |
| D565,404     | S *  | 4/2008  | Doherty              | ..... | D9/709    |
| D587,012     | S *  | 2/2009  | Webb                 | ..... | D3/299    |
| D603,165     | S *  | 11/2009 | Losiewicz            | ..... | D3/299    |
| 2008/0289979 | A1   | 11/2008 | Webb                 |       |           |

**FOREIGN PATENT DOCUMENTS**

WO WO 2007/067152 A1 6/2007

\* cited by examiner

*Primary Examiner* — Charles A Rademaker

*Assistant Examiner* — Charles D Hanson

(74) *Attorney, Agent, or Firm* — Dickstein Shapiro LLP

(57) **CLAIM**

The ornamental design for a garment carrier, as shown and described.

**DESCRIPTION**

FIG. 1 is a top perspective view of a garment carrier showing our new design;

FIG. 2 is a top perspective view thereof, in an alternate position;

FIG. 3 is a bottom perspective view thereof;

FIG. 4 is a side view thereof;

FIG. 5 is an opposite side view thereof;

FIG. 6 is an end view thereof;

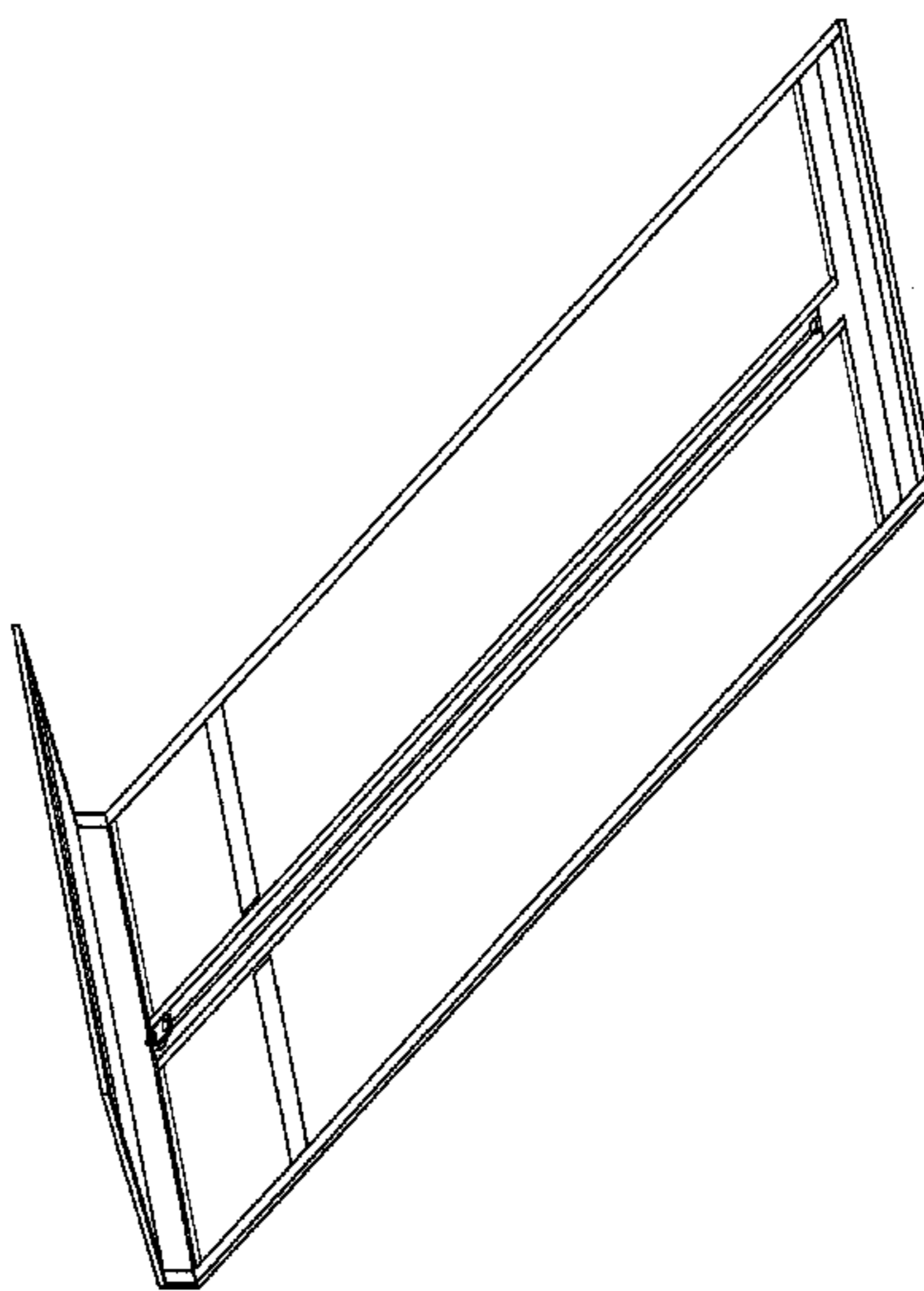
FIG. 7 is an opposite end view thereof;

FIG. 8 is a top perspective view thereof, in a second alternate position;

FIG. 9 is a top plan view thereof, in the first position; and,

FIG. 10 is a bottom plan view thereof.

**1 Claim, 7 Drawing Sheets**



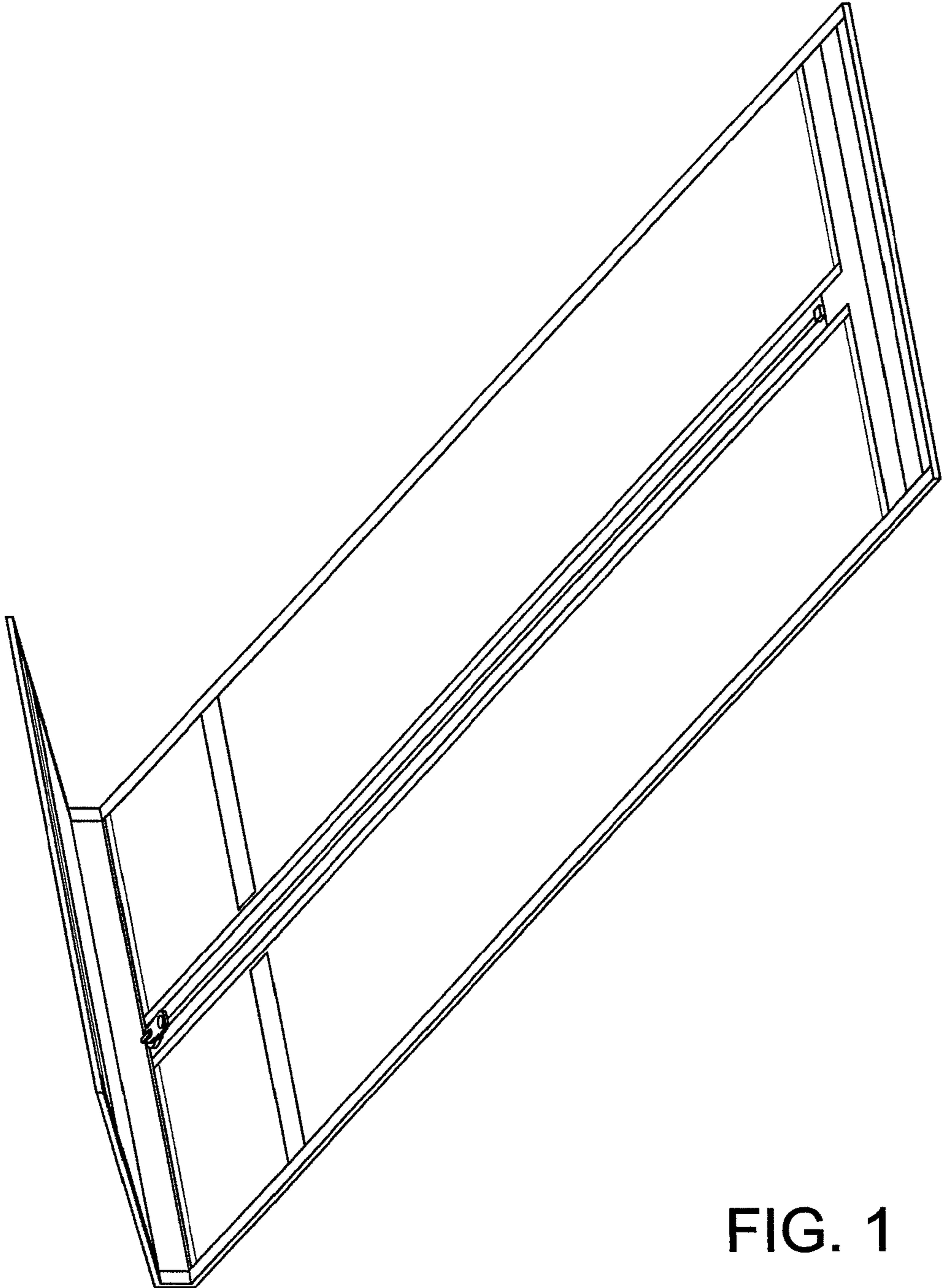


FIG. 1

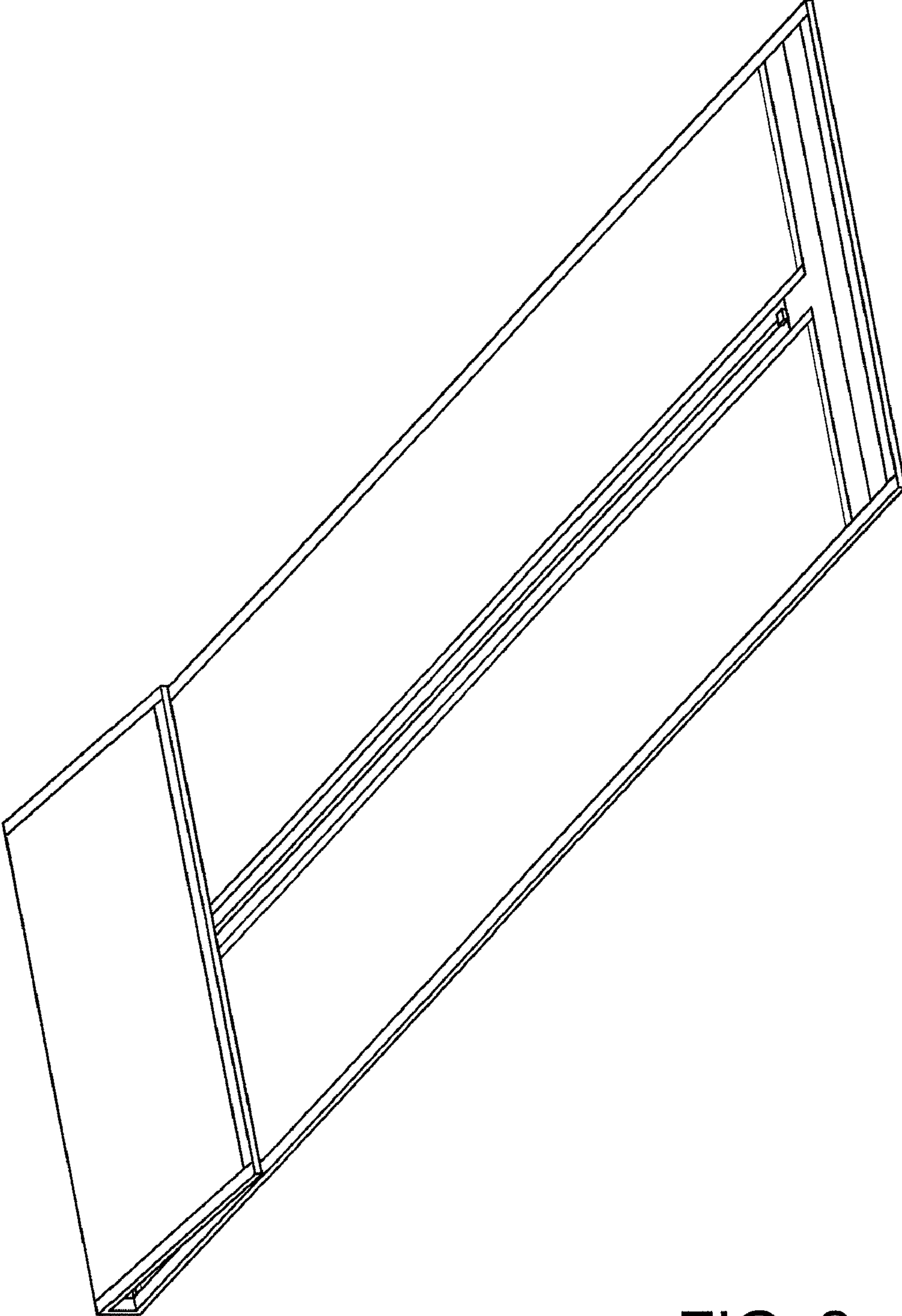


FIG. 2

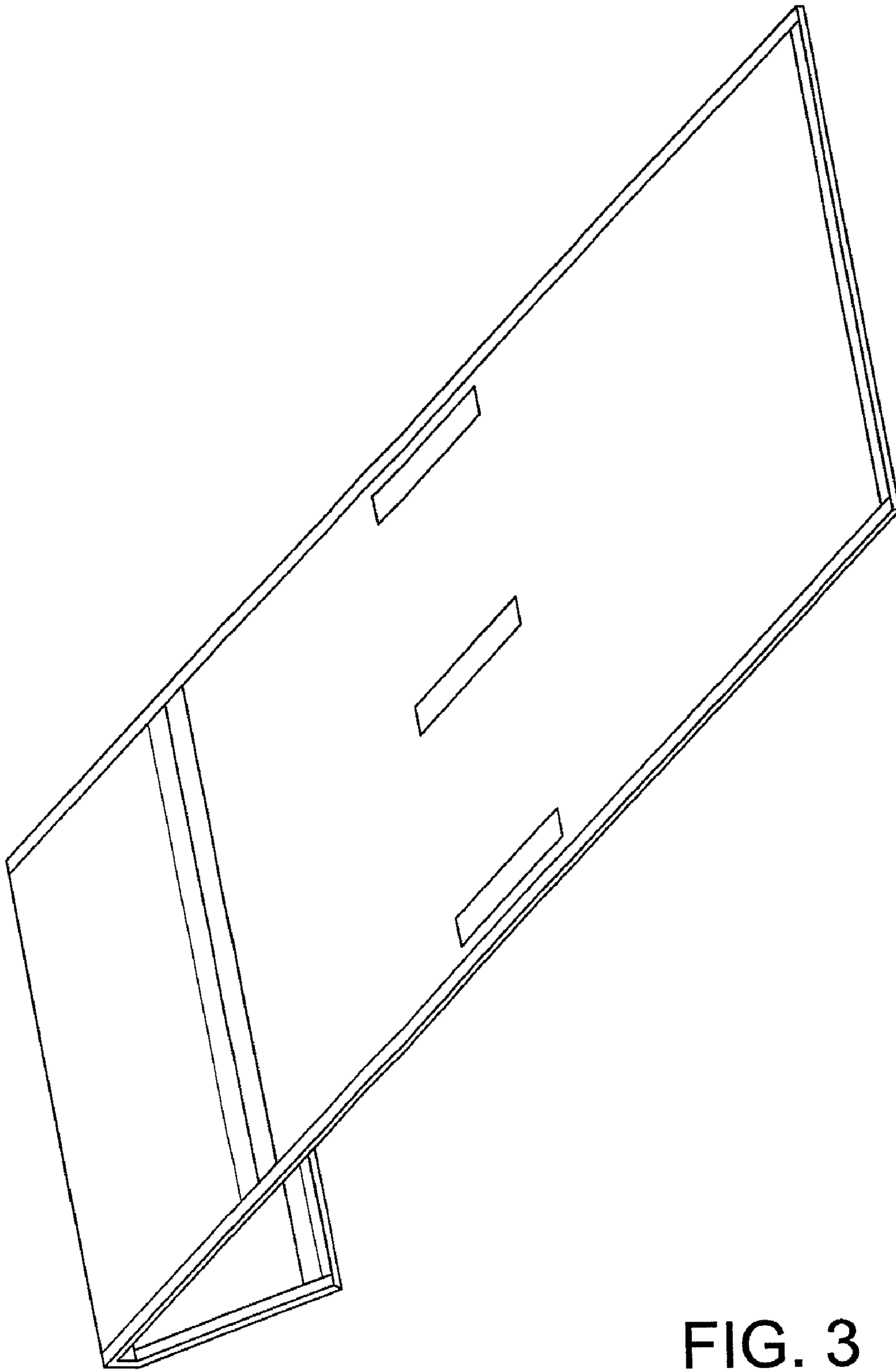


FIG. 3

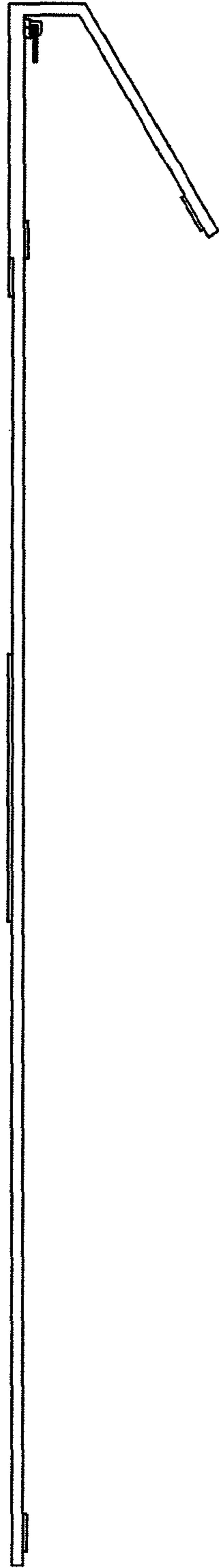


FIG. 4

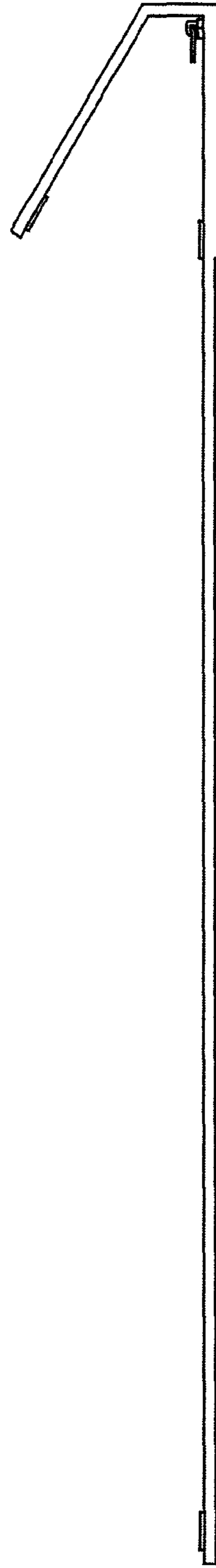


FIG. 5



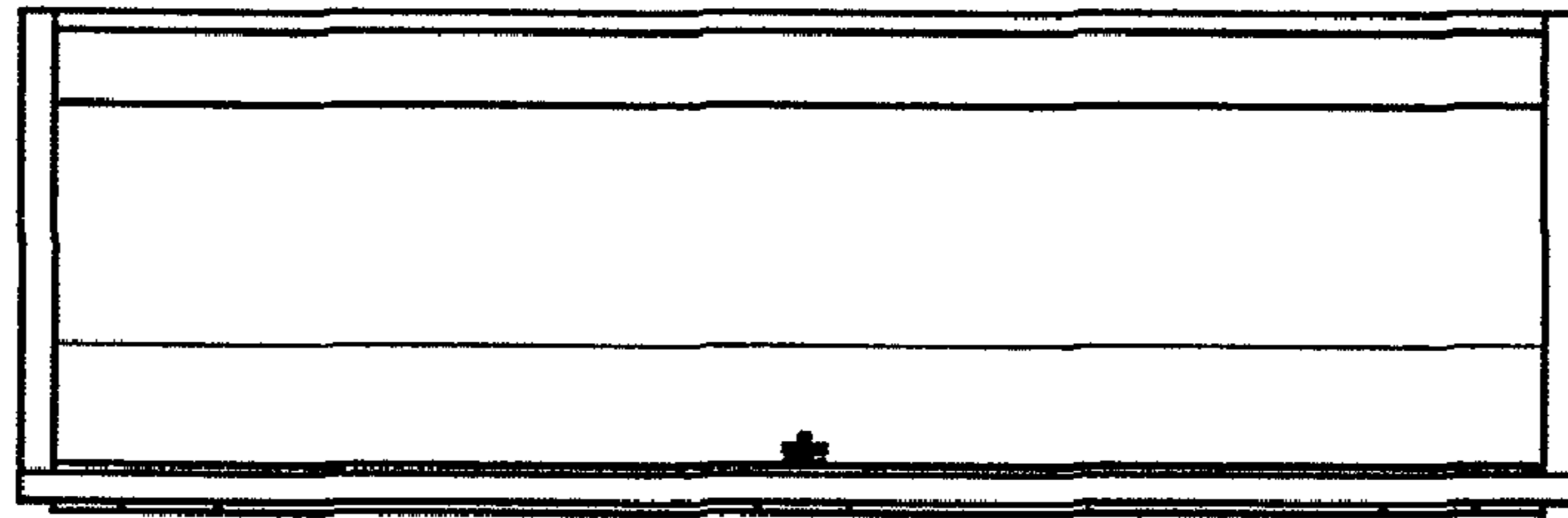


FIG. 6

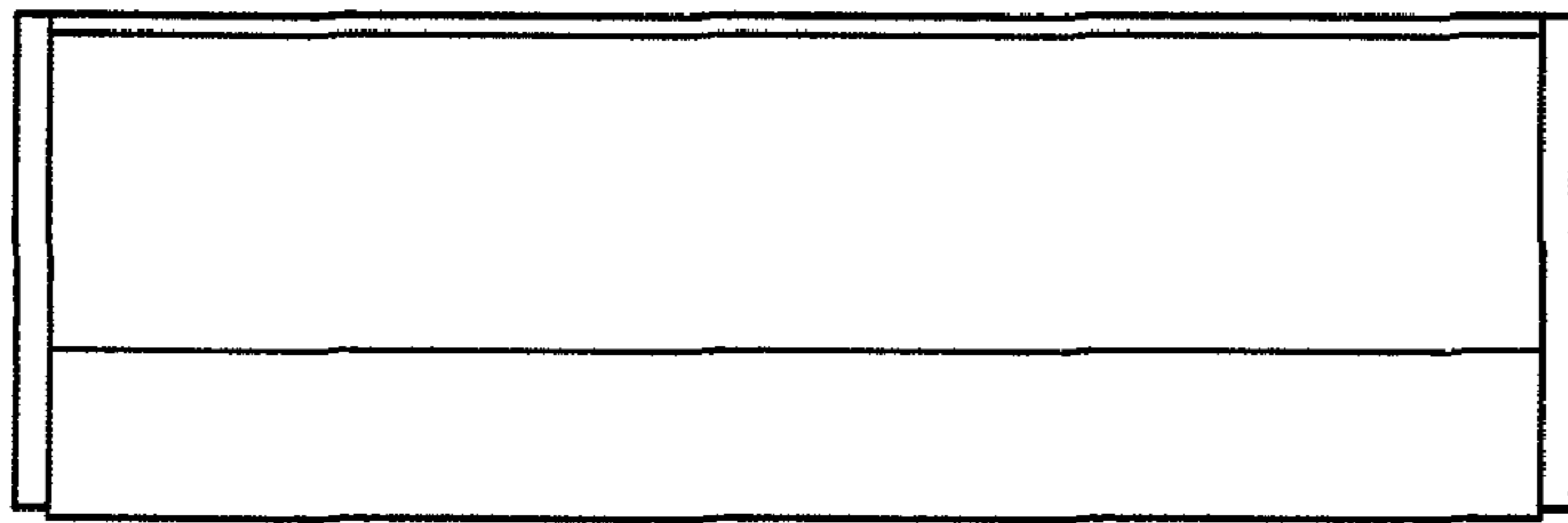


FIG. 7

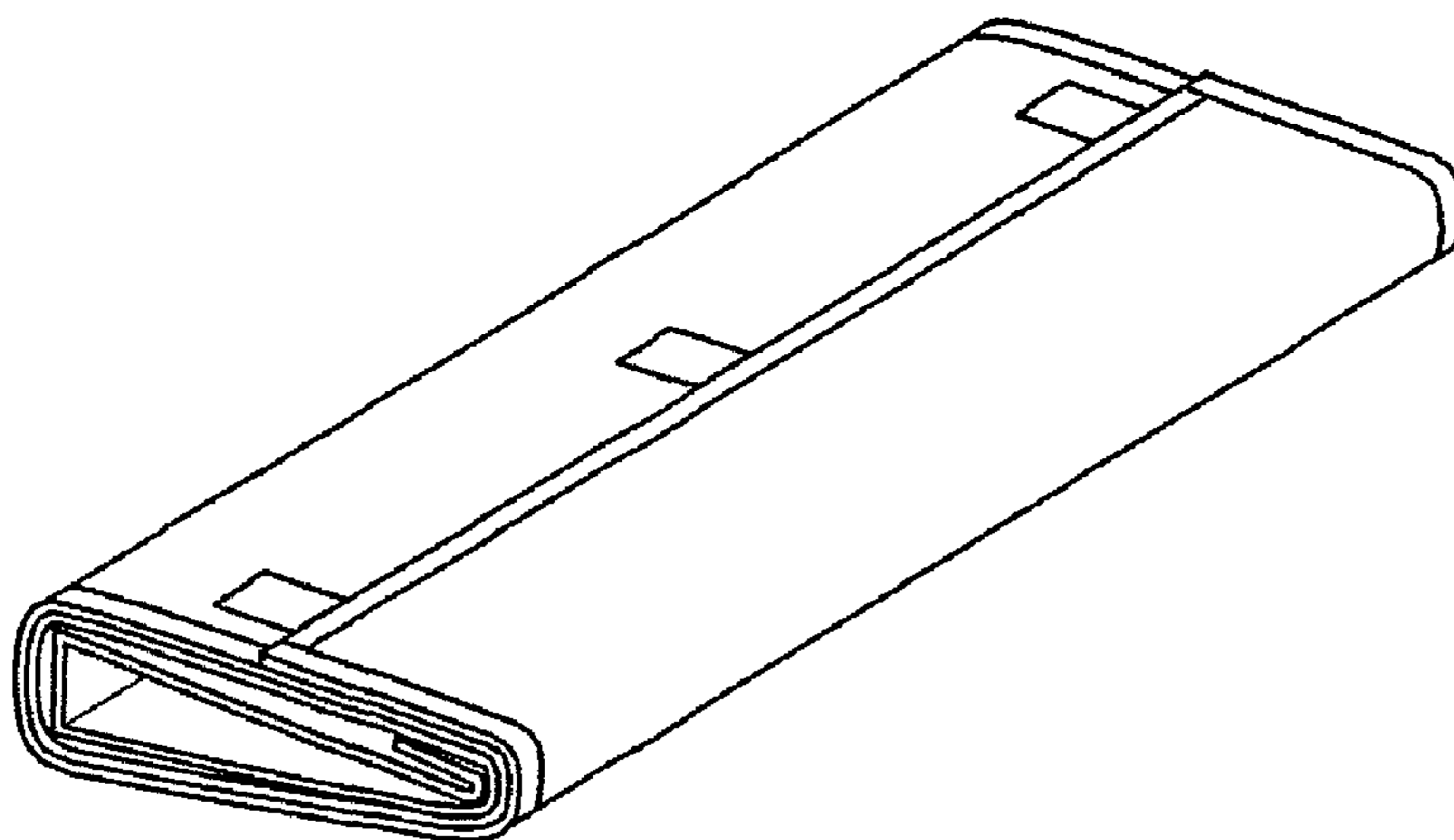


FIG. 8

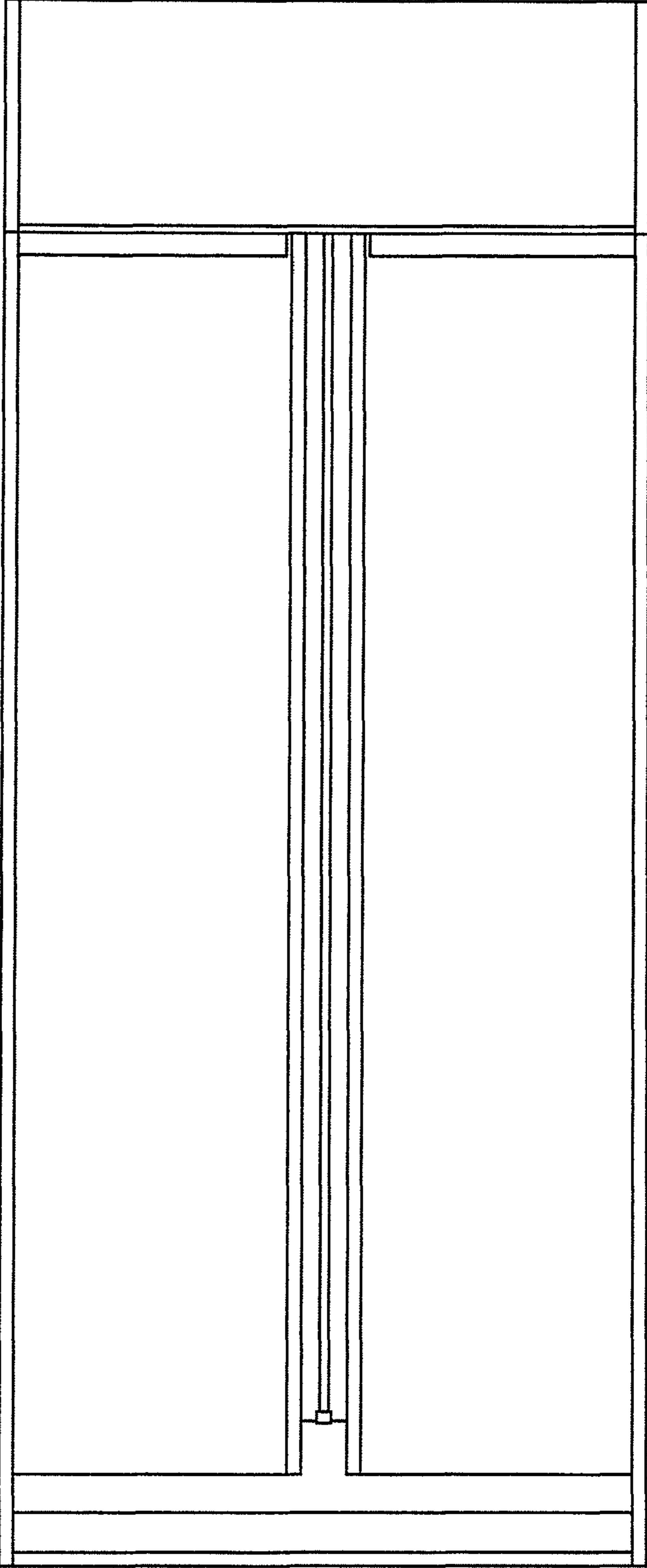


FIG. 9

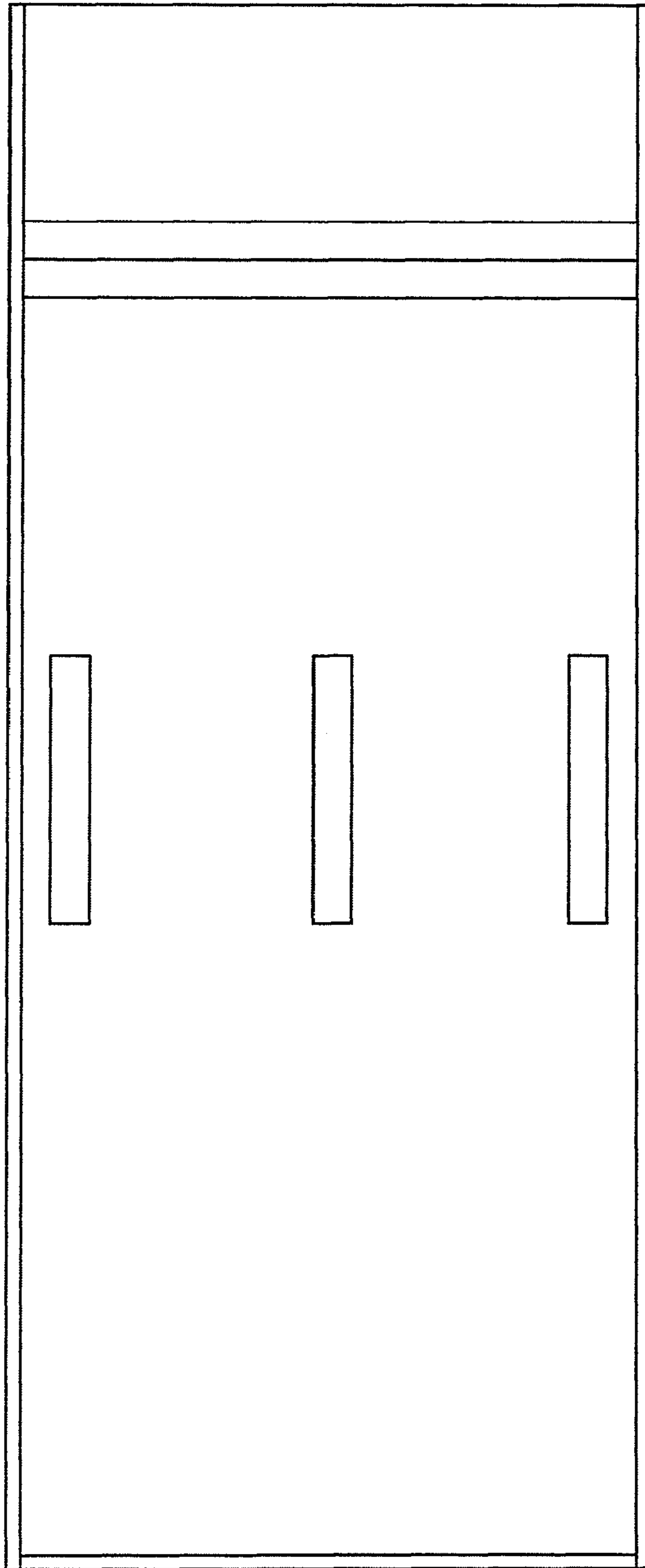


FIG. 10