



US00D636599S

(12) **United States Design Patent**
Hsu

(10) **Patent No.:** **US D636,599 S**

(45) **Date of Patent:** **** Apr. 26, 2011**

(54) **CONTAINER FOR ORNAMENTAL ACCESSORIES**

(76) Inventor: **Roger Hsu, Taipei (TW)**

(**) Term: **14 Years**

(21) Appl. No.: **29/347,288**

(22) Filed: **Nov. 23, 2009**

(51) **LOC (9) Cl.** **03-02**

(52) **U.S. Cl.** **D3/297; D3/903; D6/445; D6/440**

(58) **Field of Classification Search** D3/201,
D3/203.1, 203.6, 205-206, 273, 301, 900,
D3/901, 903, 295; 190/100, 115; 206/223,
206/569-570, 581, 823, 601.1; 211/85.2;
D6/440, 448, 445

See application file for complete search history.

(56) **References Cited**

U.S. PATENT DOCUMENTS

D111,538	S	*	9/1938	Graff	D3/297
D162,424	S	*	3/1951	Kulp	D3/295
2,923,584	A	*	2/1960	Broderick, Jr.	312/317.1
D259,154	S	*	5/1981	White et al.	D3/295
D290,536	S	*	6/1987	Nadel	D28/83
4,854,656	A	*	8/1989	O'Keefe	312/334.23
D319,155	S	*	8/1991	Powell	D6/448
D320,317	S	*	10/1991	Powell	D6/440
5,067,617	A	*	11/1991	Caldwell et al.	211/85.2
5,378,005	A	*	1/1995	Norton	280/47.26

5,468,063	A	*	11/1995	Simonek	312/334.28
5,590,940	A	*	1/1997	Richard	312/287
D418,298	S	*	1/2000	Wolf	D3/297
D436,727	S	*	1/2001	Hsu	D3/294
D601,798	S	*	10/2009	Hsu	D3/295

* cited by examiner

Primary Examiner — Charles A Rademaker

Assistant Examiner — Charles D Hanson

(74) *Attorney, Agent, or Firm* — Rosenberg, Klein & Lee

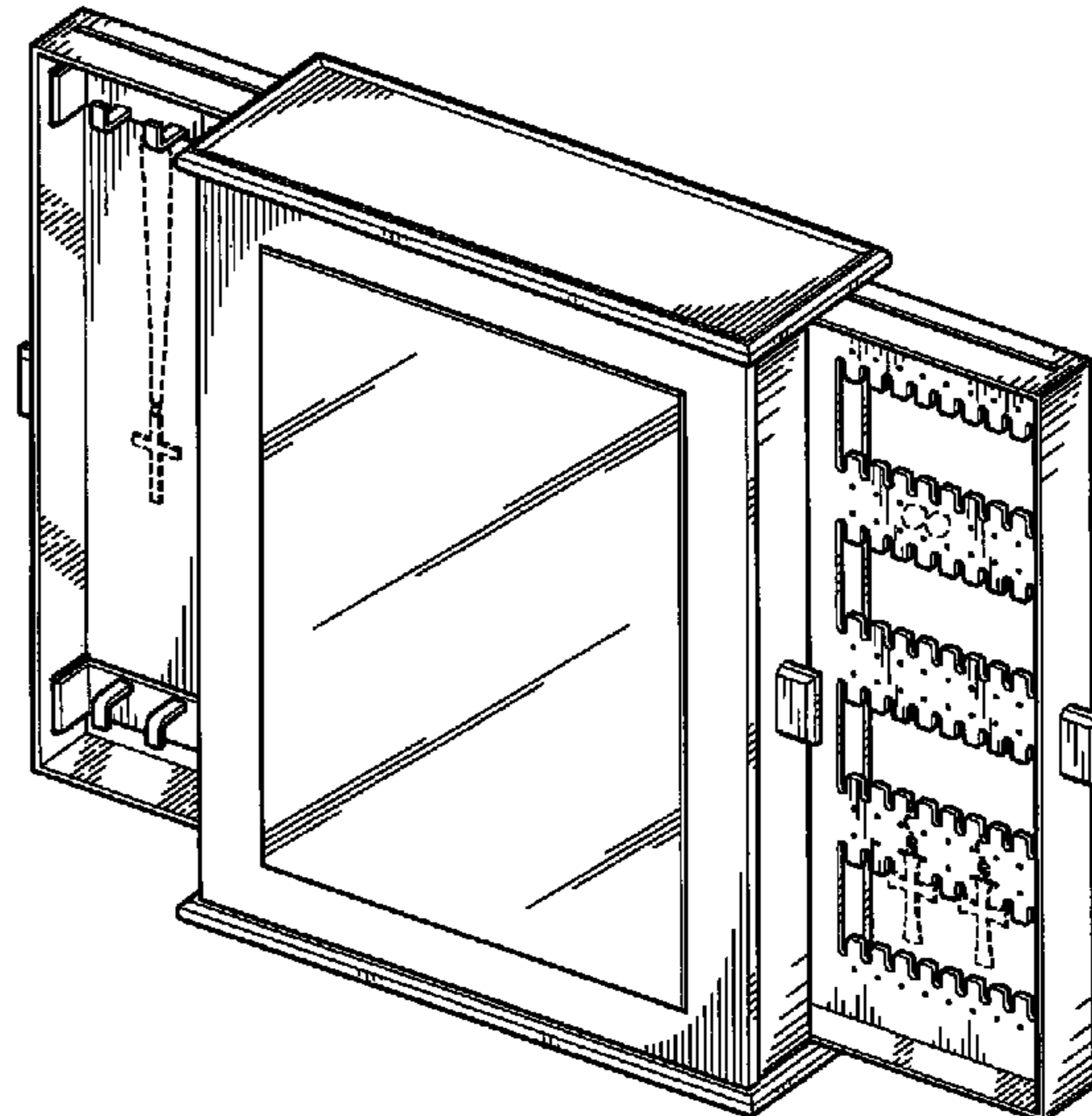
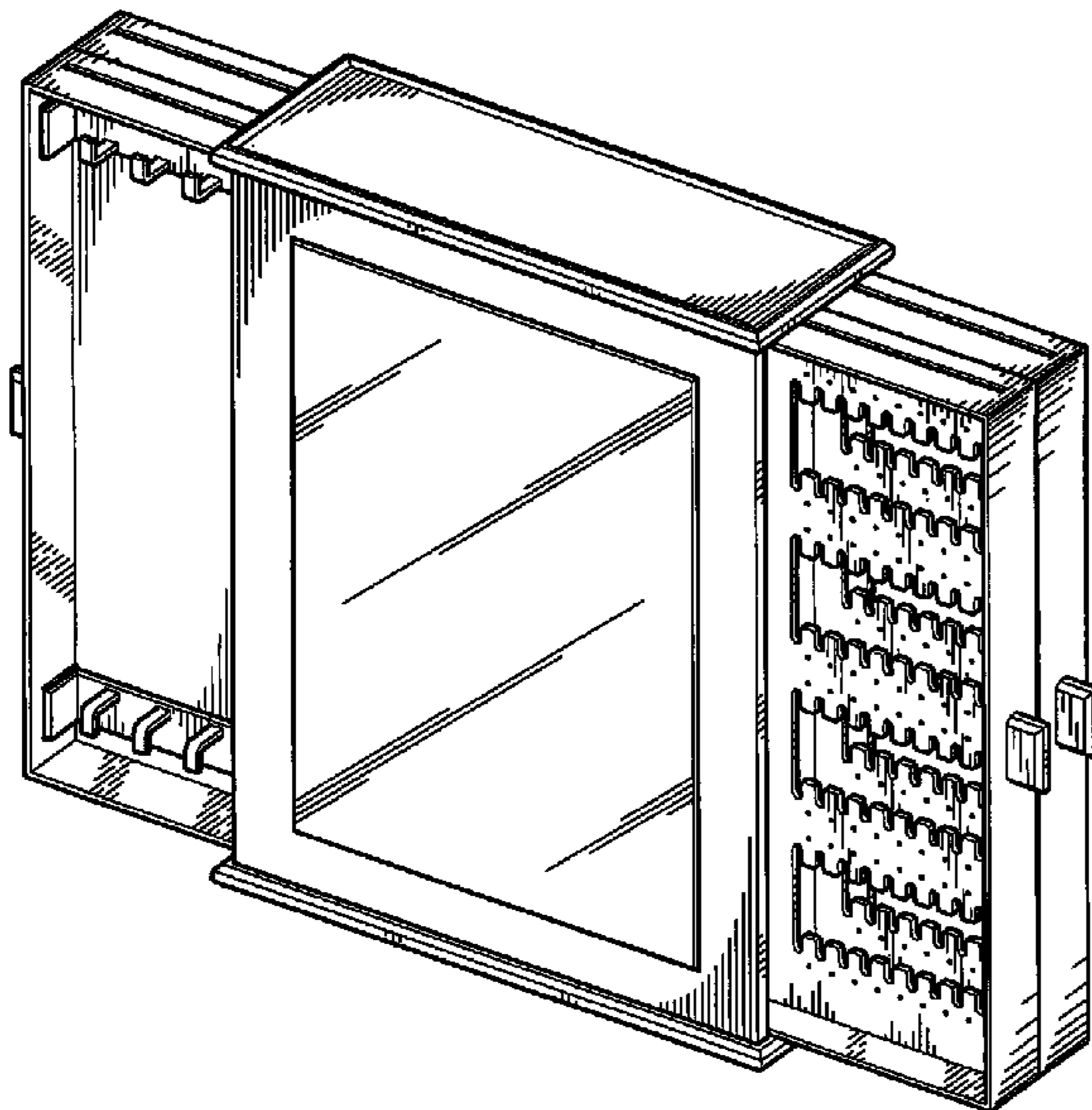
(57) **CLAIM**

The ornamental design for a container for ornamental accessories, as shown and described.

DESCRIPTION

FIG. 1 is a perspective view of a container for ornamental accessories showing my design;
 FIG. 2 is a front elevation view thereof;
 FIG. 3 is a rear elevation view thereof;
 FIG. 4 is a left side elevation view thereof;
 FIG. 5 is a right side elevation view thereof;
 FIG. 6 is a top plan view thereof;
 FIG. 7 is a bottom plan view thereof;
 FIG. 8 is a perspective view thereof in a closed position; and,
 FIG. 9 is a perspective view of the container in use in a partially open position. The articles shown in broken lines in FIG. 9 illustrate environment and form no part of the claimed design.

1 Claim, 7 Drawing Sheets



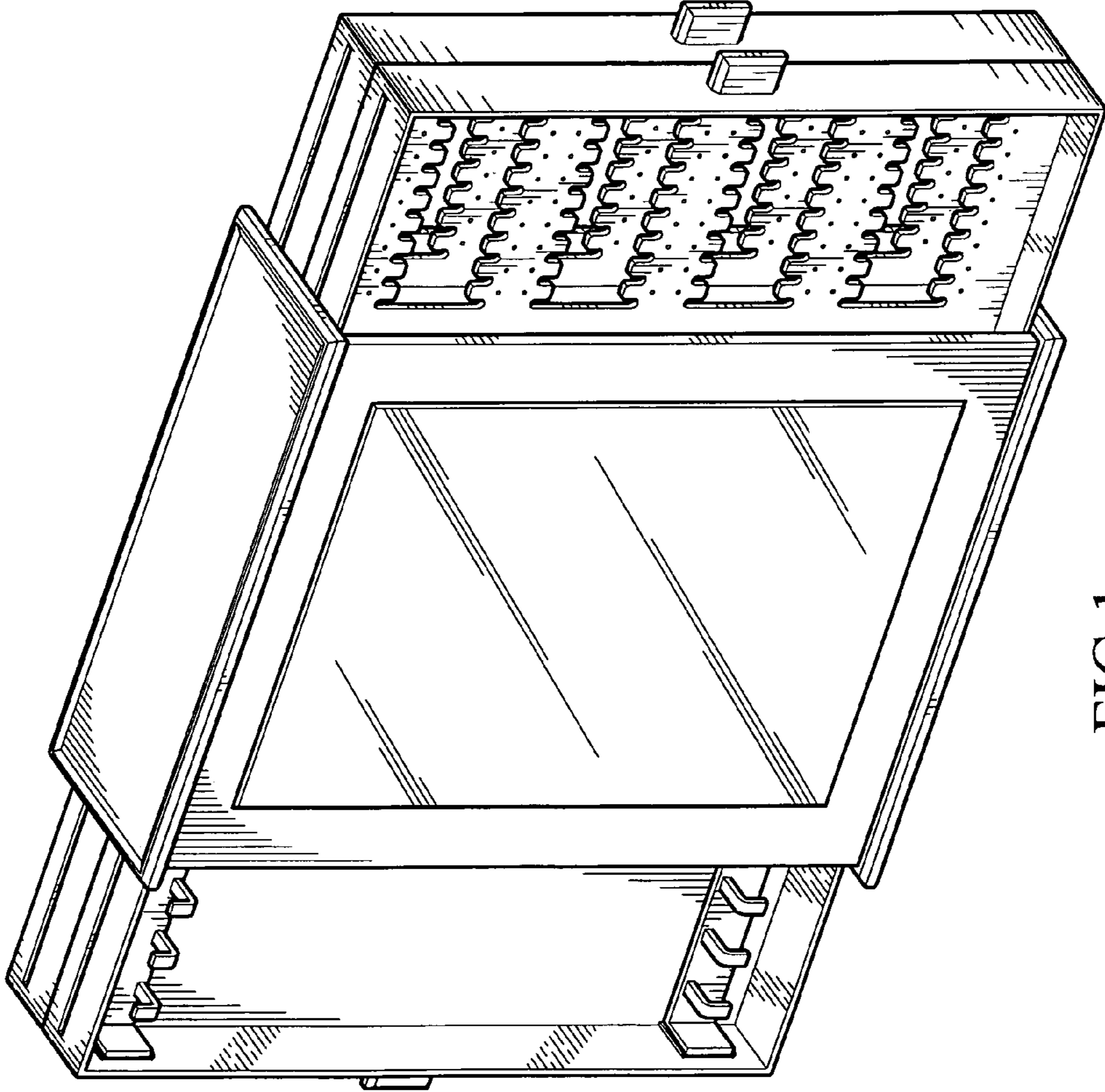


FIG.1

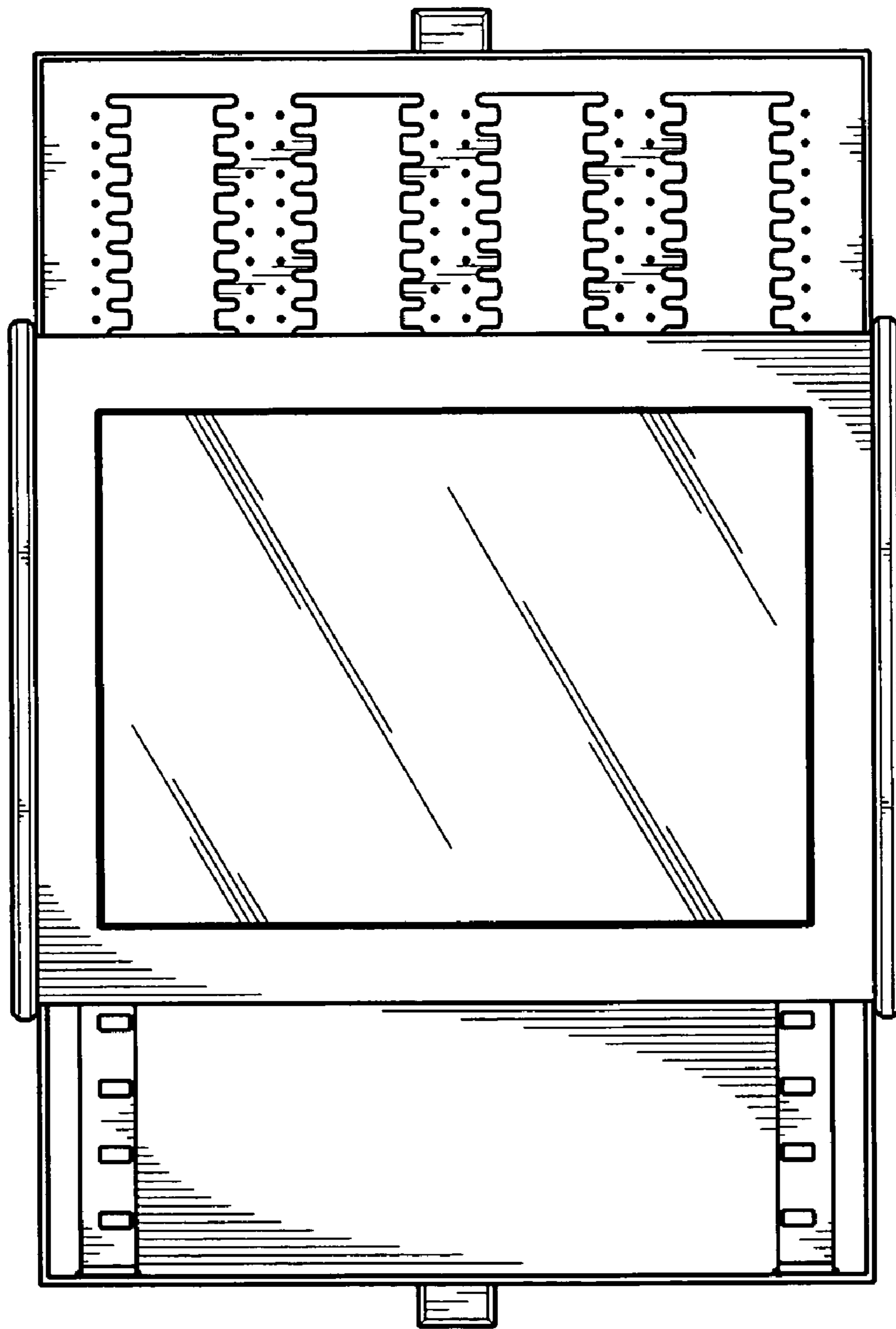


FIG.2

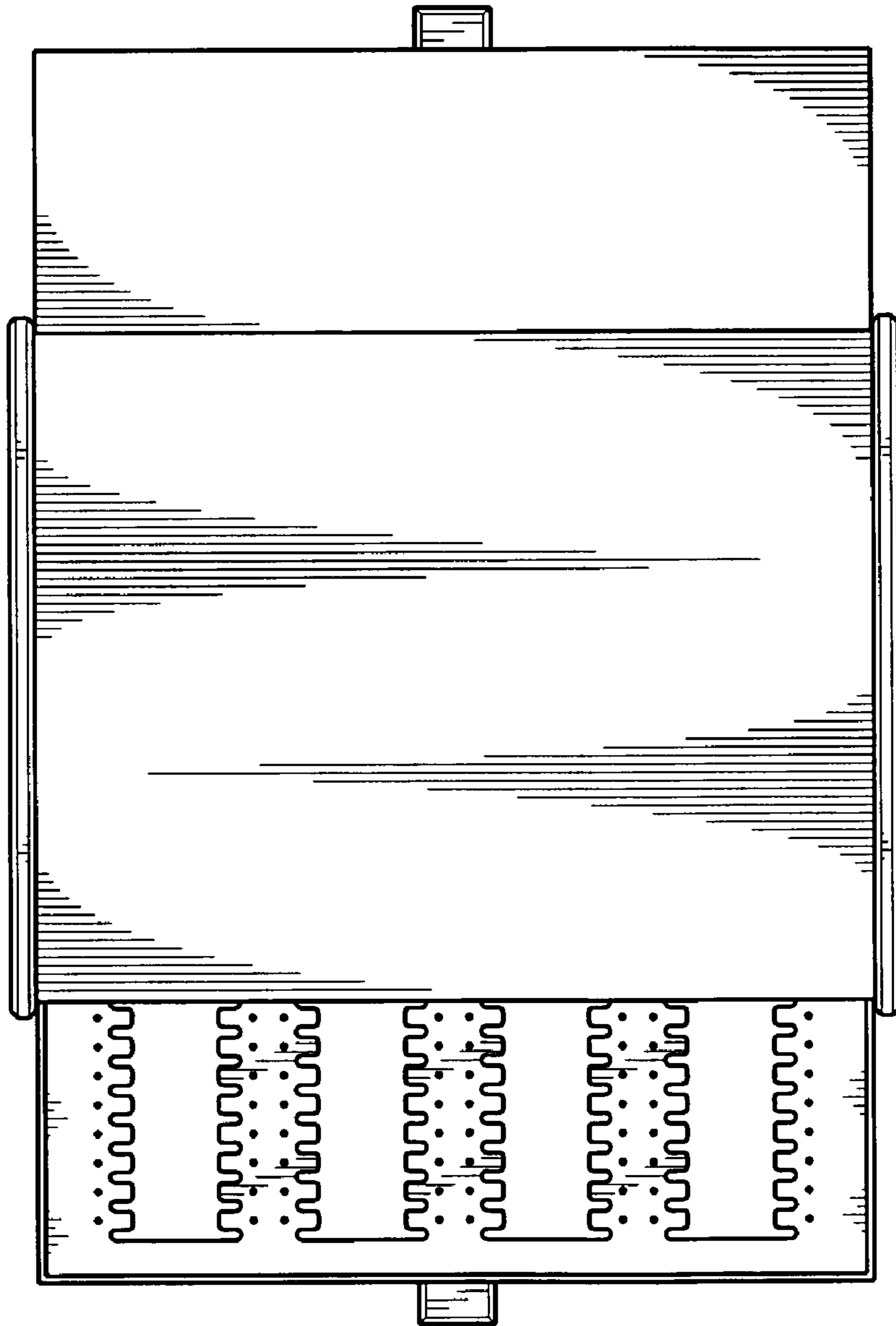


FIG.3

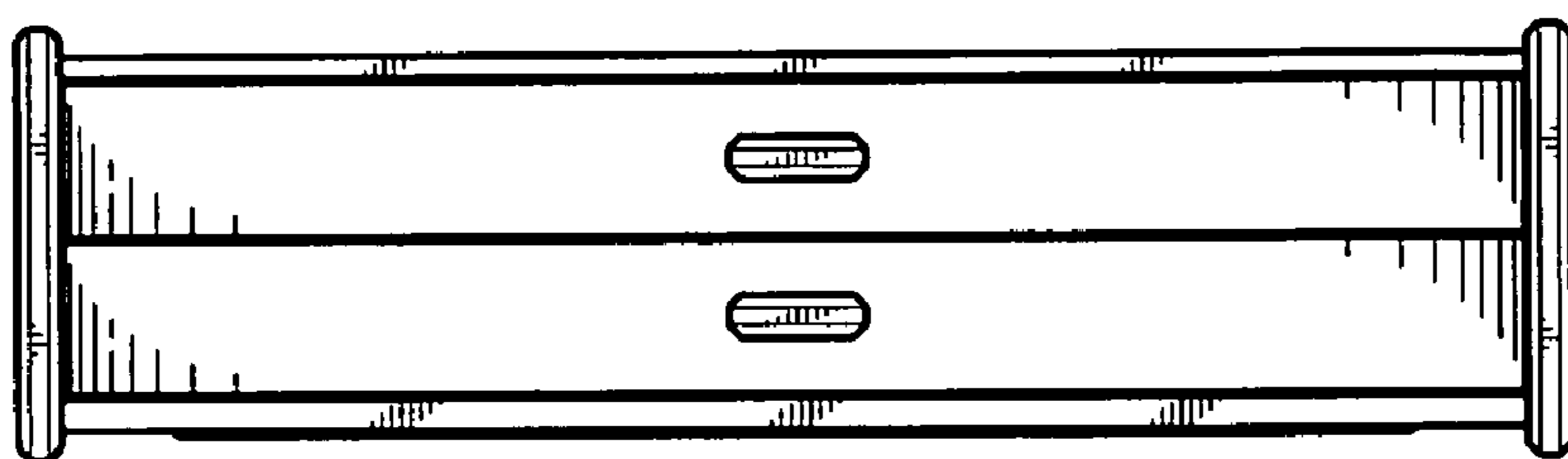


FIG. 5

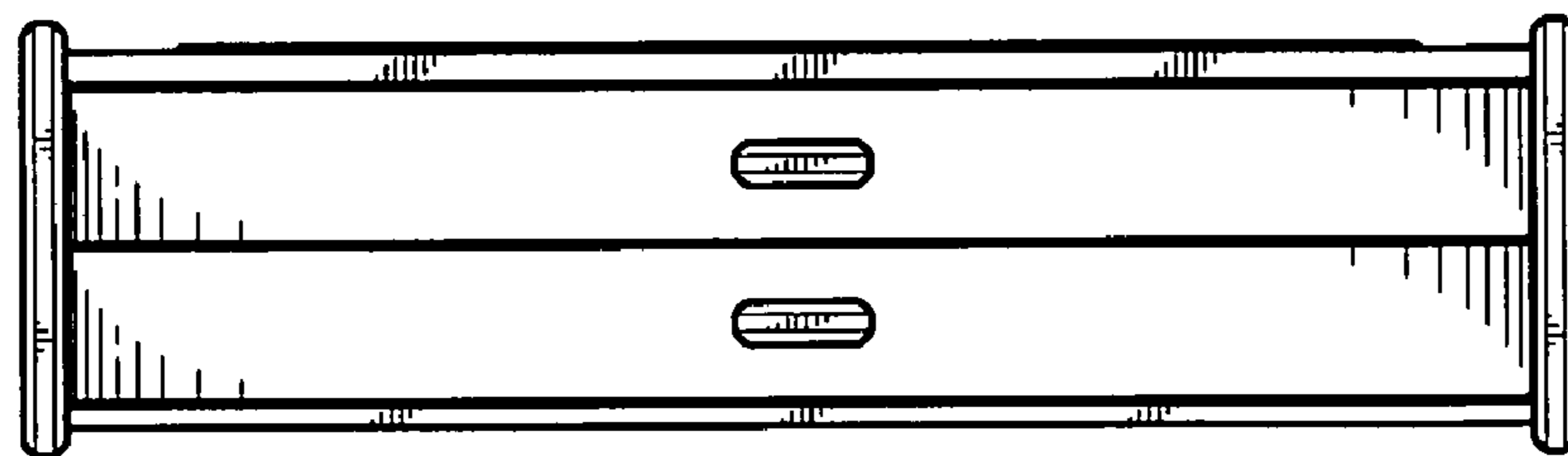


FIG. 4

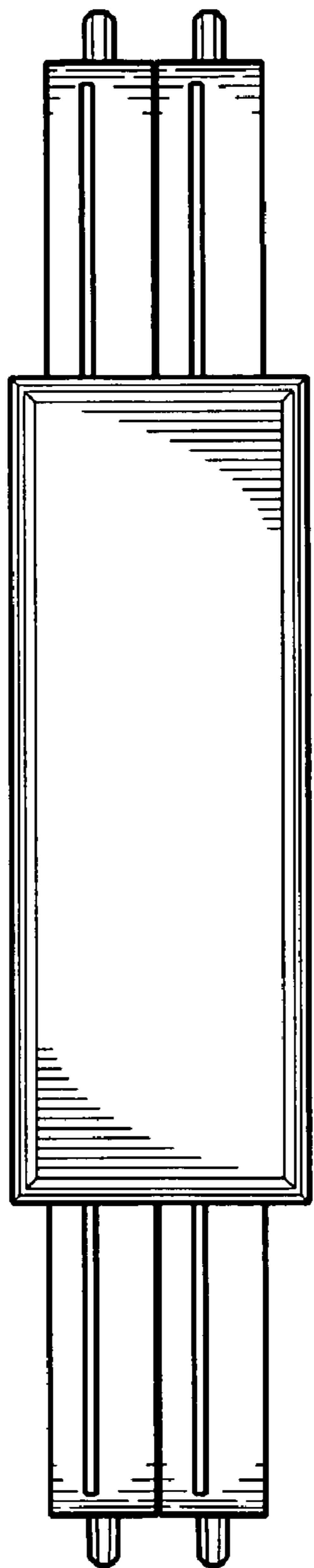


FIG. 6

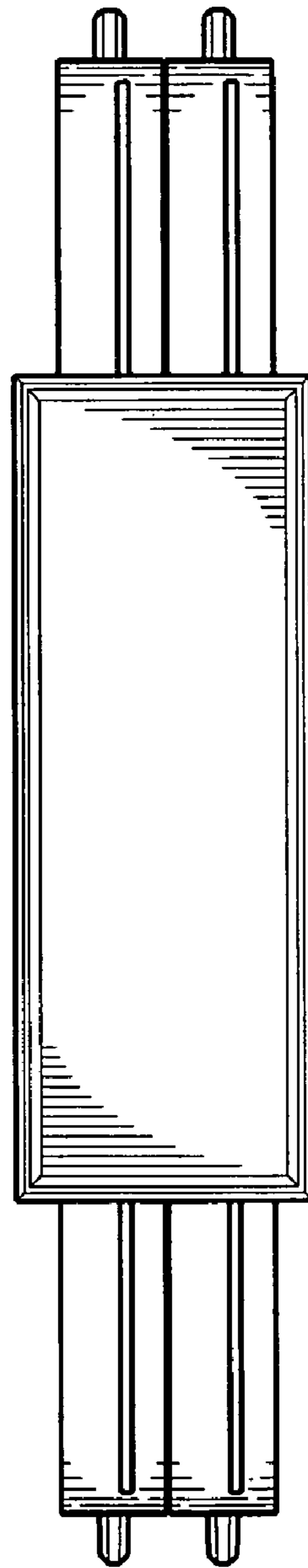


FIG. 7

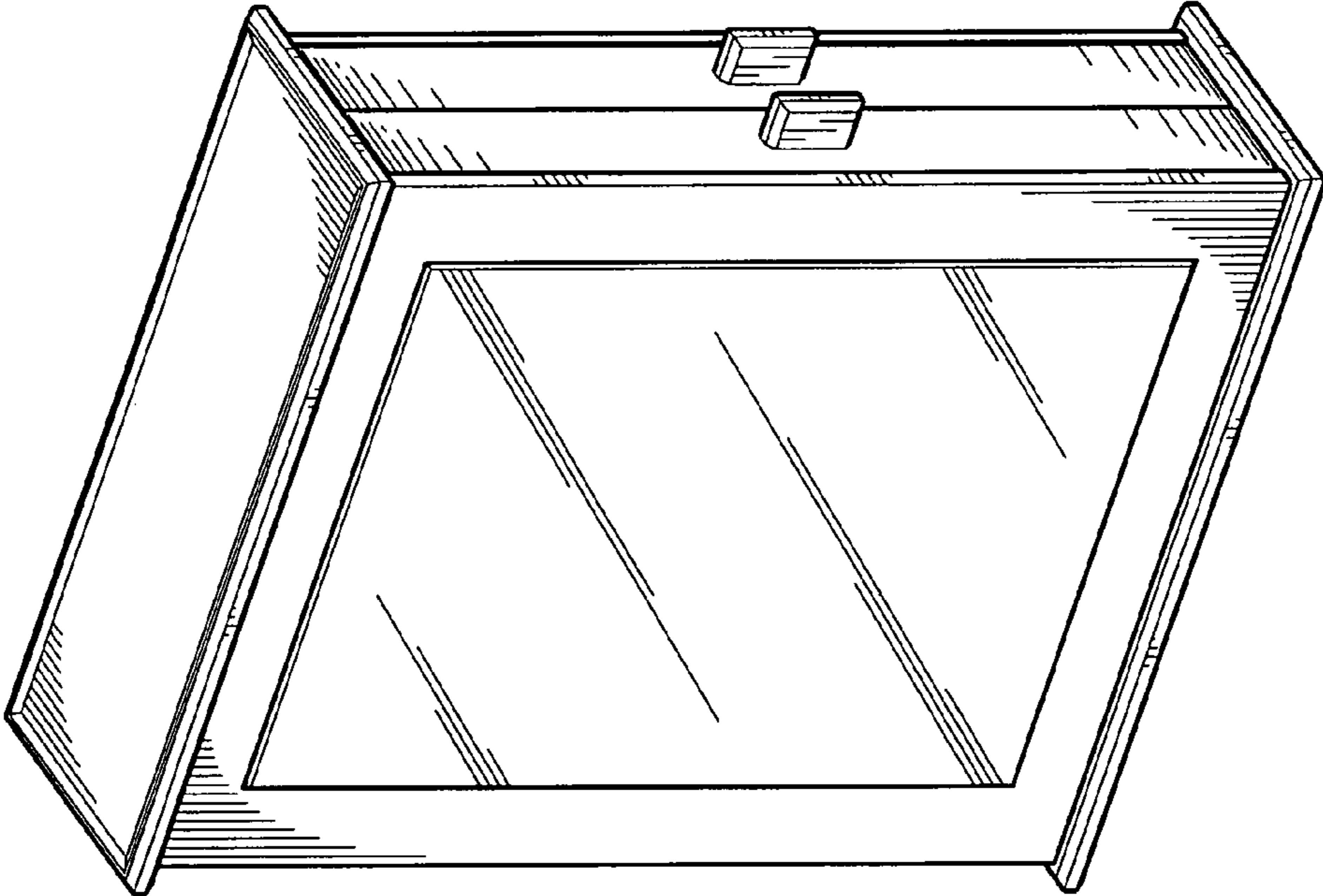


FIG. 8

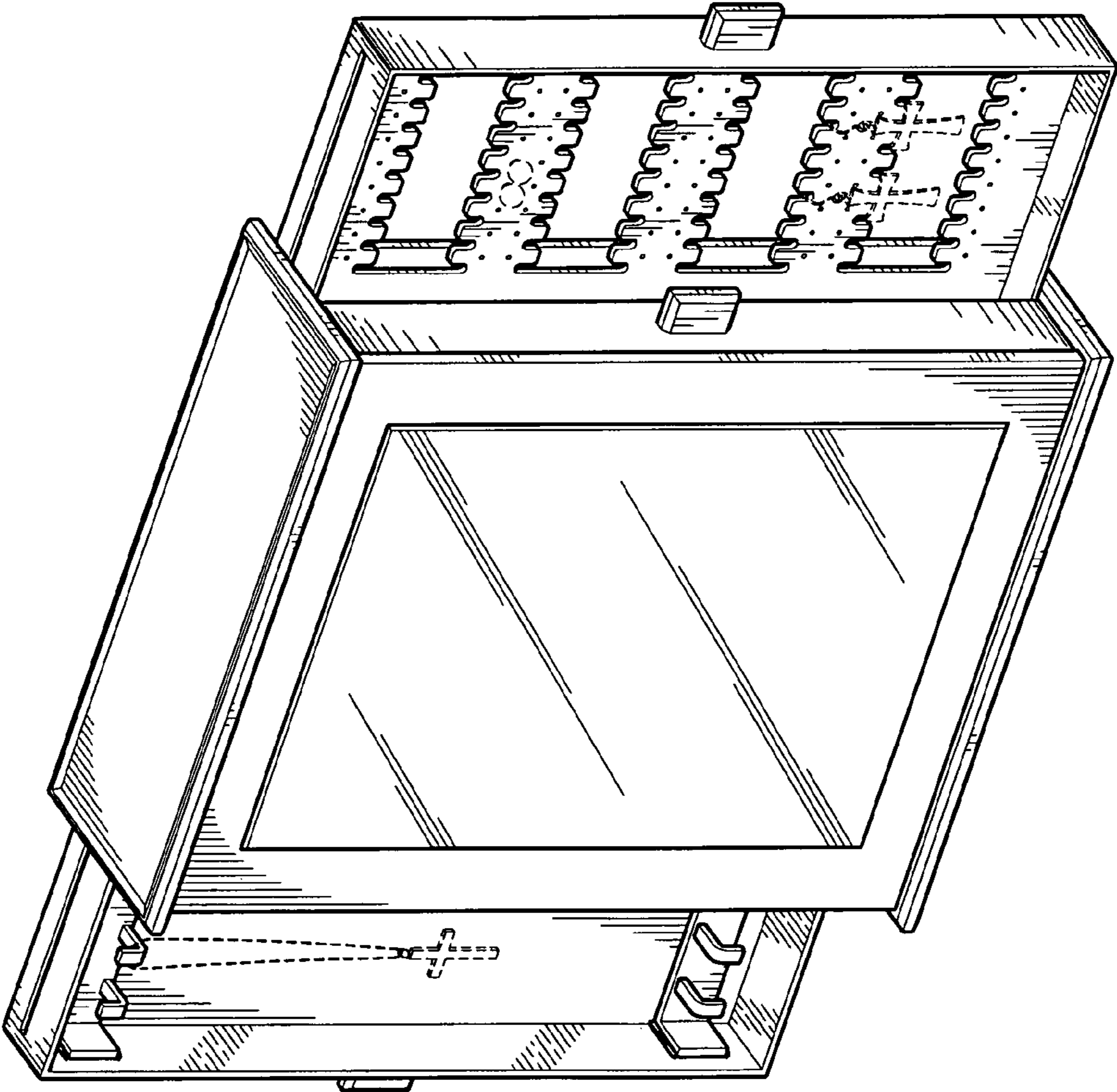


FIG.9