



US00D636598S

(12) **United States Design Patent**
Tseng et al.

(10) **Patent No.:** **US D636,598 S**

(45) **Date of Patent:** **** Apr. 26, 2011**

(54) **STORAGE CASE**

(75) Inventors: **Keng-Wen Tseng**, Taipei County (TW);
Yi-Chin Lin, Taipei (TW)

(73) Assignee: **Savannah Marketing Group, Inc.**,
Palm Springs, CA (US)

(**) Term: **14 Years**

(21) Appl. No.: **29/346,143**

(22) Filed: **Oct. 27, 2009**

(51) **LOC (9) Cl.** **03-01**

(52) **U.S. Cl.** **D3/294**

(58) **Field of Classification Search** D3/203.1,
D3/205, 206, 273, 294–295, 265, 269; D21/333;
206/5, 5.1, 6

See application file for complete search history.

(56) **References Cited**

U.S. PATENT DOCUMENTS

D25,638	S *	6/1896	Casey et al.	D3/265
D49,217	S *	6/1916	King	D3/265
D259,596	S *	6/1981	Gray	D3/205
D262,585	S *	1/1982	Anema	D3/205
4,777,937	A	10/1988	Rush		
4,821,247	A	4/1989	Grooms		
5,167,236	A	12/1992	Junker		
5,313,678	A	5/1994	Redewill		
5,606,621	A	2/1997	Reiter et al.		
D397,865	S *	9/1998	Lin	D3/218
5,881,390	A	3/1999	Young		
6,014,345	A	1/2000	Schmadeka		
D430,727	S *	9/2000	Wisniewski	D3/265
D439,404	S *	3/2001	Dar	D3/264
6,267,721	B1	7/2001	Welles		
D479,401	S *	9/2003	Claypool	D3/294
D480,865	S *	10/2003	Sayers et al.	D3/203.1
D481,532	S *	11/2003	Sayers et al.	D3/203.1
6,906,983	B2	6/2005	Williams		
6,929,125	B1 *	8/2005	Seamans	206/316.1
D514,805	S *	2/2006	Owen et al.	D3/206
7,039,208	B2	5/2006	Wagner et al.		

7,054,957	B2	5/2006	Armitage		
7,062,057	B2	6/2006	Wu		
D538,031	S *	3/2007	Costa et al.	D3/203.1
7,206,429	B1	4/2007	Vossler		
7,248,705	B1	7/2007	Mishan		
7,262,992	B2	8/2007	Shibata et al.		

(Continued)

OTHER PUBLICATIONS

<http://www.in earmatters.net>, A Past Review: Multiple IEM Shoot out, Nov. 30, 2008.

(Continued)

Primary Examiner — Philip S Hyder

Assistant Examiner — Roselynn Cody

(74) *Attorney, Agent, or Firm* — Jeffrey G. Sheldon;
Sheldon Mak & Anderson

(57) **CLAIM**

The ornamental design for a storage case, as shown and described.

DESCRIPTION

This application is related to a Design Patent Application entitled “Storage Case Insert” 29/346,144, a Design Patent Application entitled “Ear Bud” 29/346,142, and a Utility Patent Application entitled “Aural Device with White Noise Generator” 12/606,879, all filed on even date herewith.

FIG. 1 is a perspective view of a storage case according to the present invention;

FIG. 2 is a top plan view of the storage case of FIG. 1;

FIG. 3 is a front elevation view of the storage case of FIG. 1

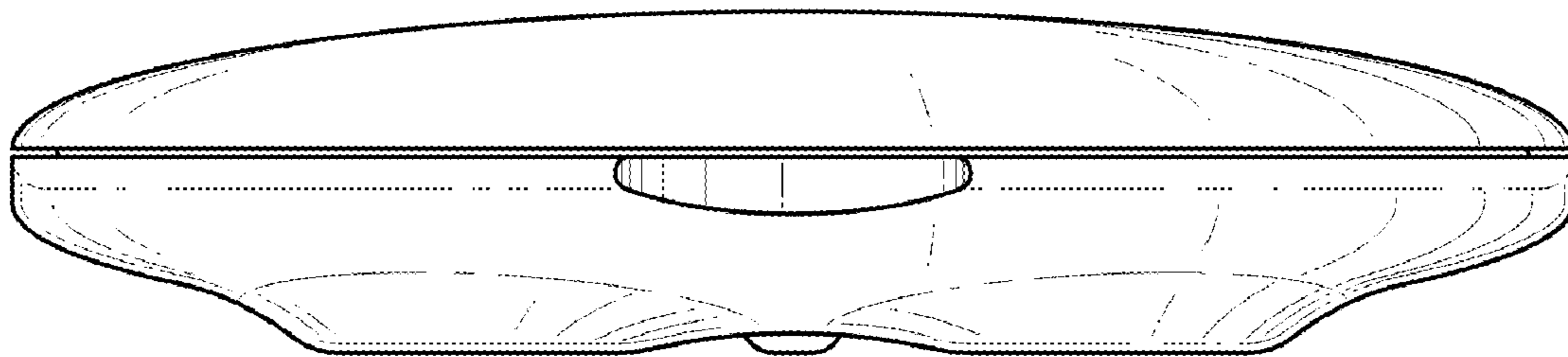
FIG. 4 is a side elevation view of the storage case of FIG. 1 taken from the left side of FIG. 3;

FIG. 5 is a side elevation view of the storage case of FIG. 1 taken from the right side of FIG. 3;

FIG. 6 is a rear elevation view of the storage case of FIG. 1; and,

FIG. 7 is a bottom plan view of storage case of FIG. 1.

1 Claim, 2 Drawing Sheets



US D636,598 S

Page 2

U.S. PATENT DOCUMENTS

7,480,388 B1 1/2009 Crook
D586,557 S * 2/2009 Jalet D3/294
D592,494 S * 5/2009 Wichowski D9/414
2003/0235313 A1 12/2003 Kurzweil
2004/0136555 A1 7/2004 Enzmann
2006/0020161 A1 1/2006 Mageras et al.
2007/0110253 A1 5/2007 Anderson et al.
2007/0269065 A1 11/2007 Kilsgaard

OTHER PUBLICATIONS

http://www.wmexperts.com/reviews/bluetooth_headsets/review_motorola_motorokr_s9_st_1.html, Review: Motorola
MOTOROKR S9 Stereo Bluetooth Headset, Mar. 6, 2008.

* cited by examiner

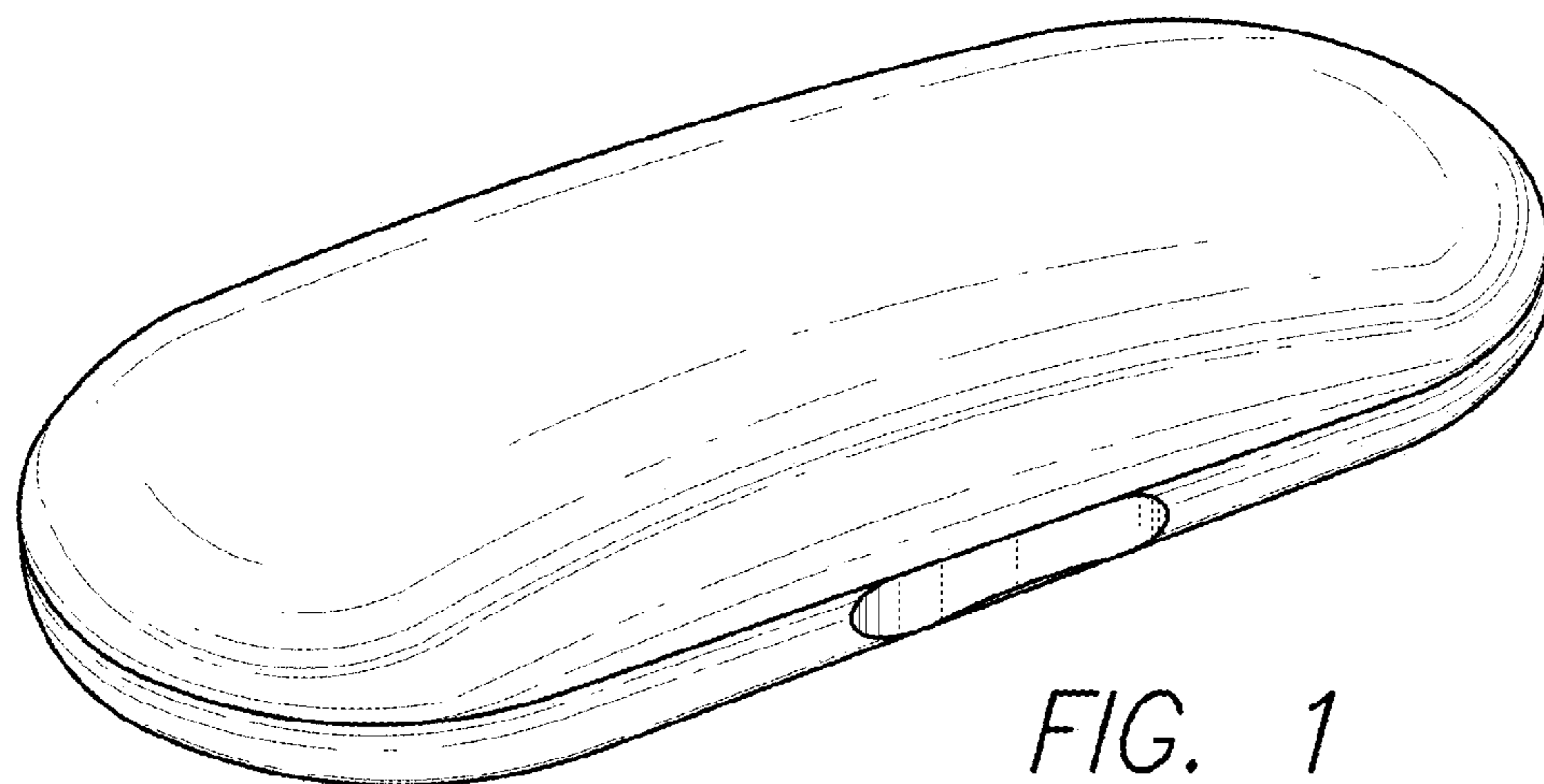


FIG. 1

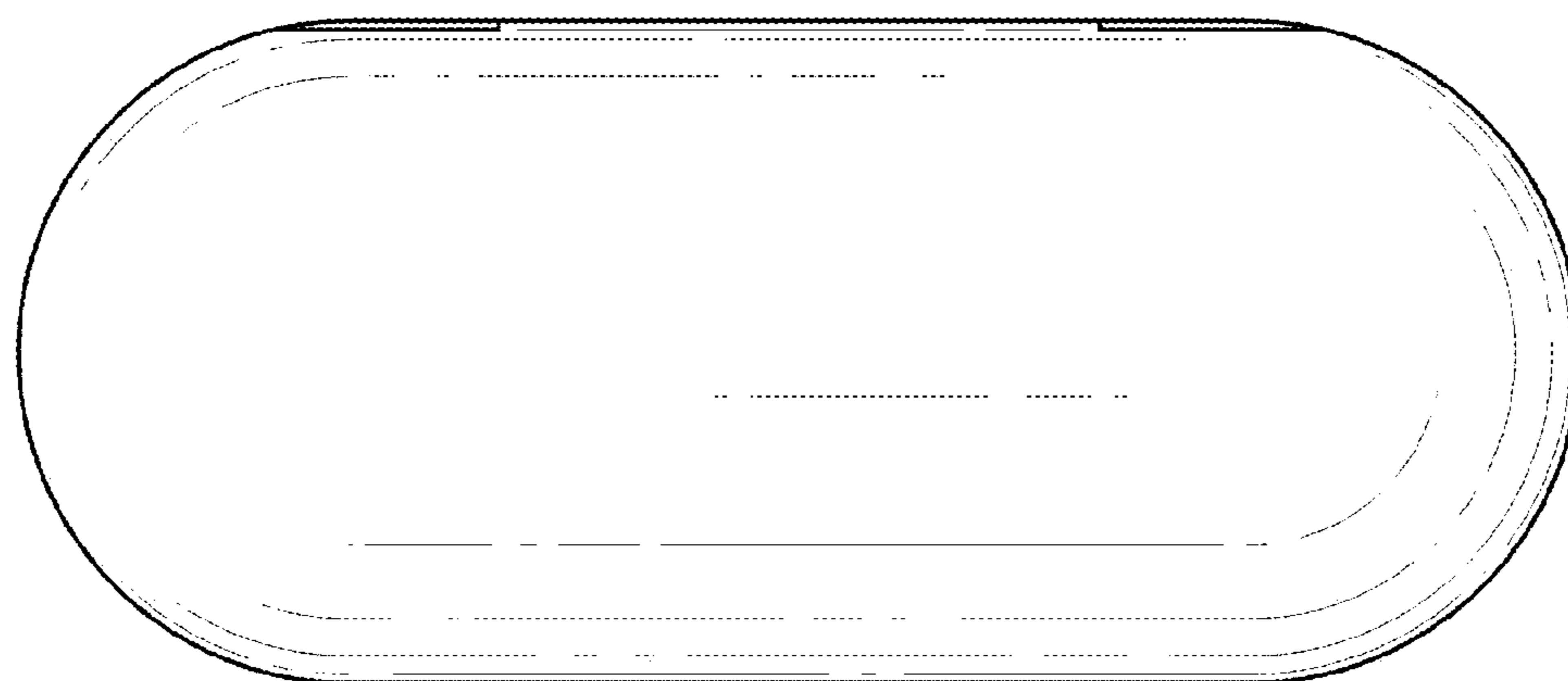


FIG. 2

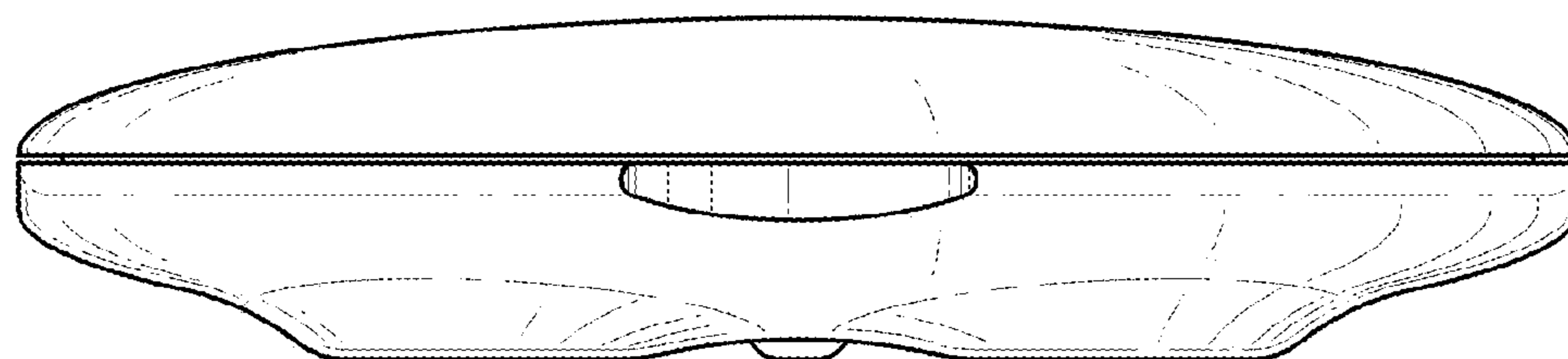


FIG. 3

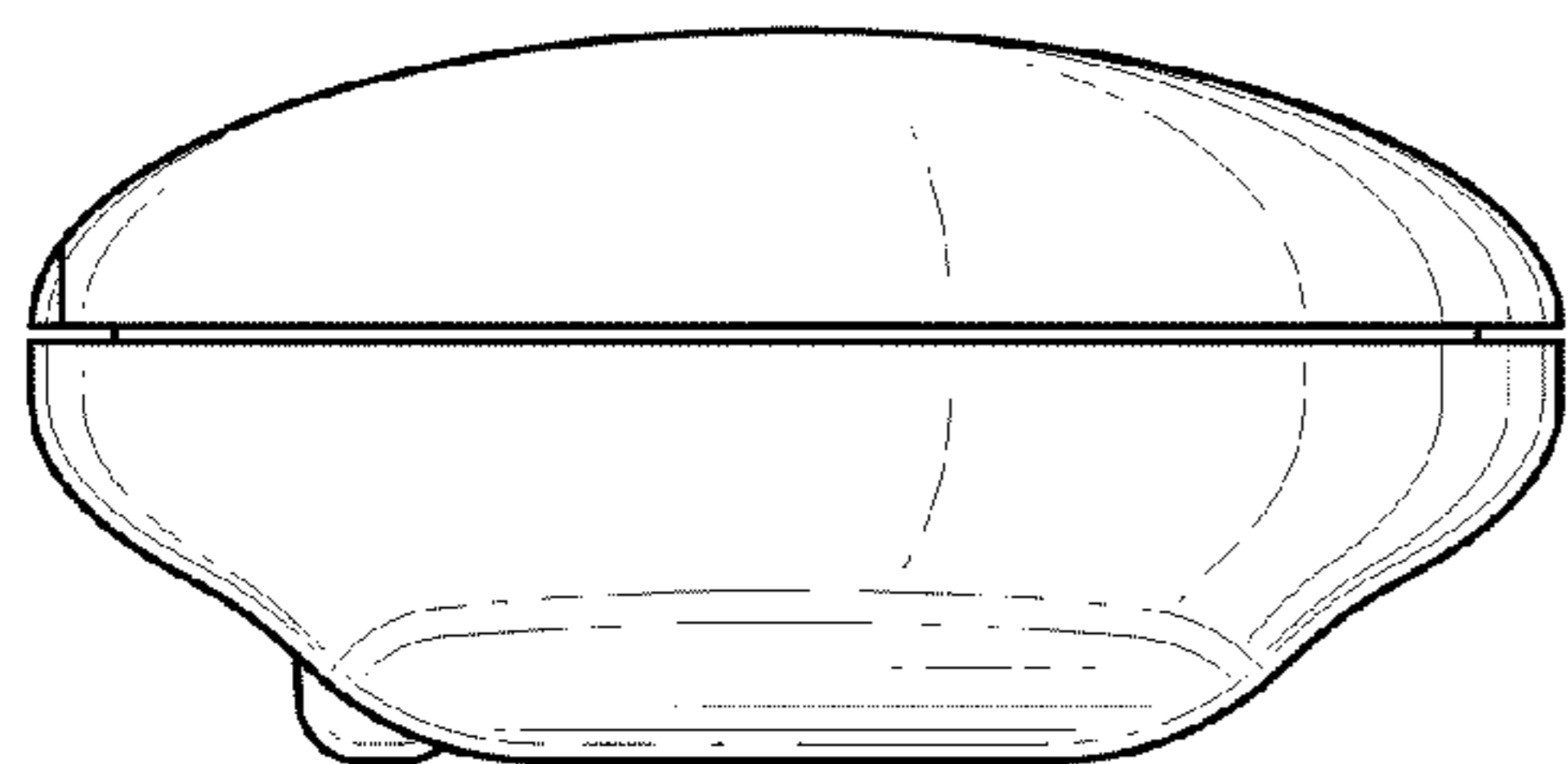


FIG. 4

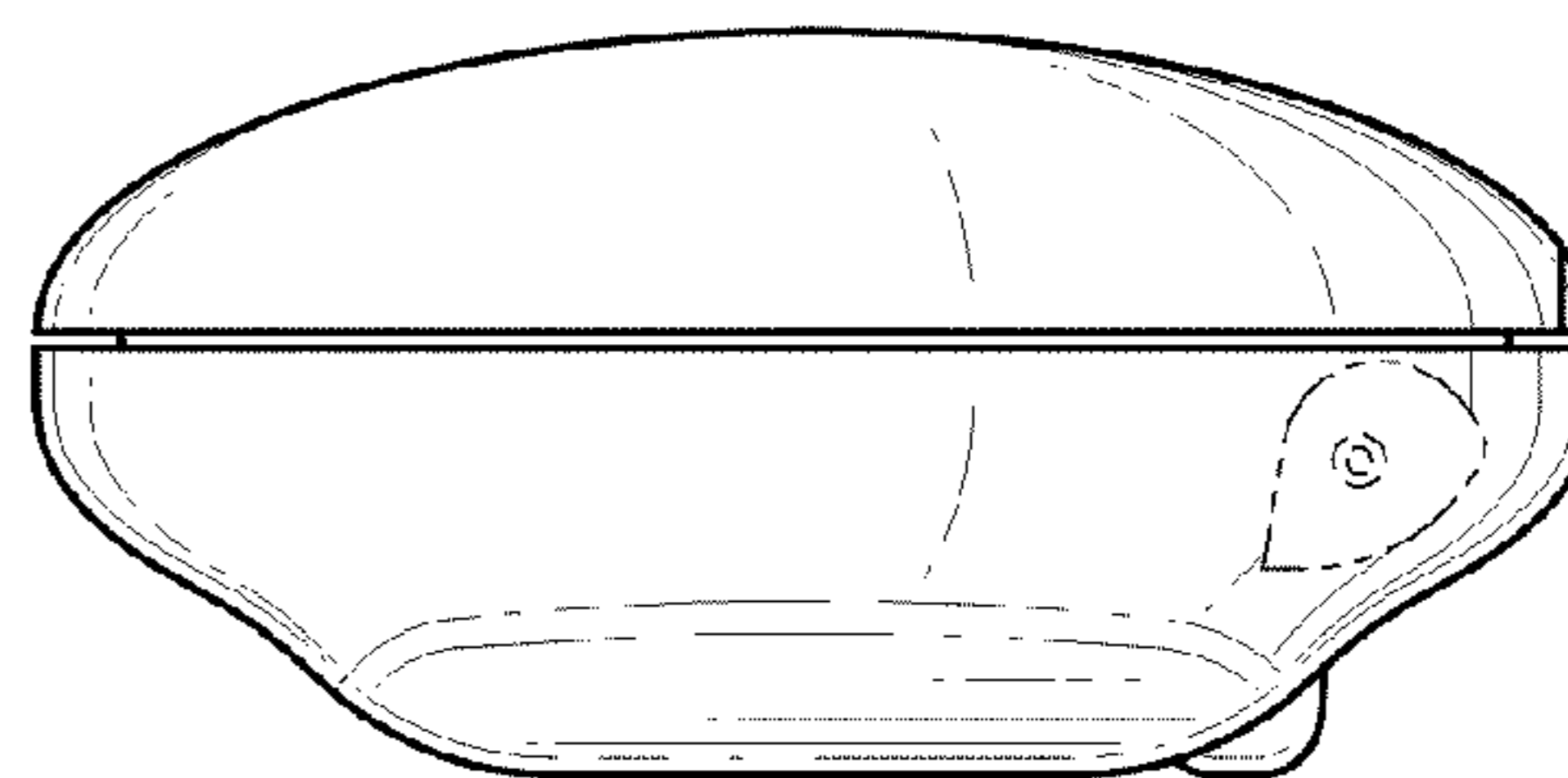


FIG. 5

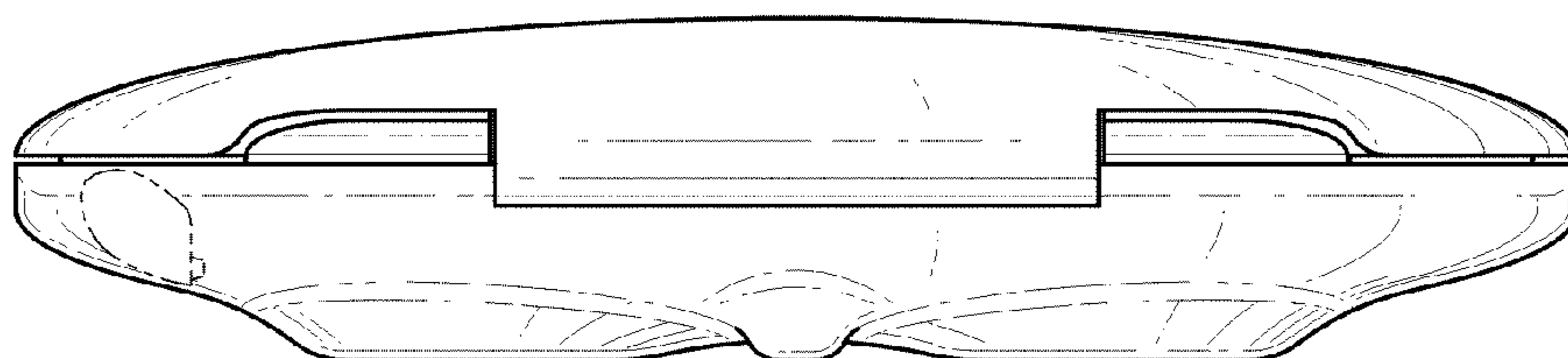


FIG. 6

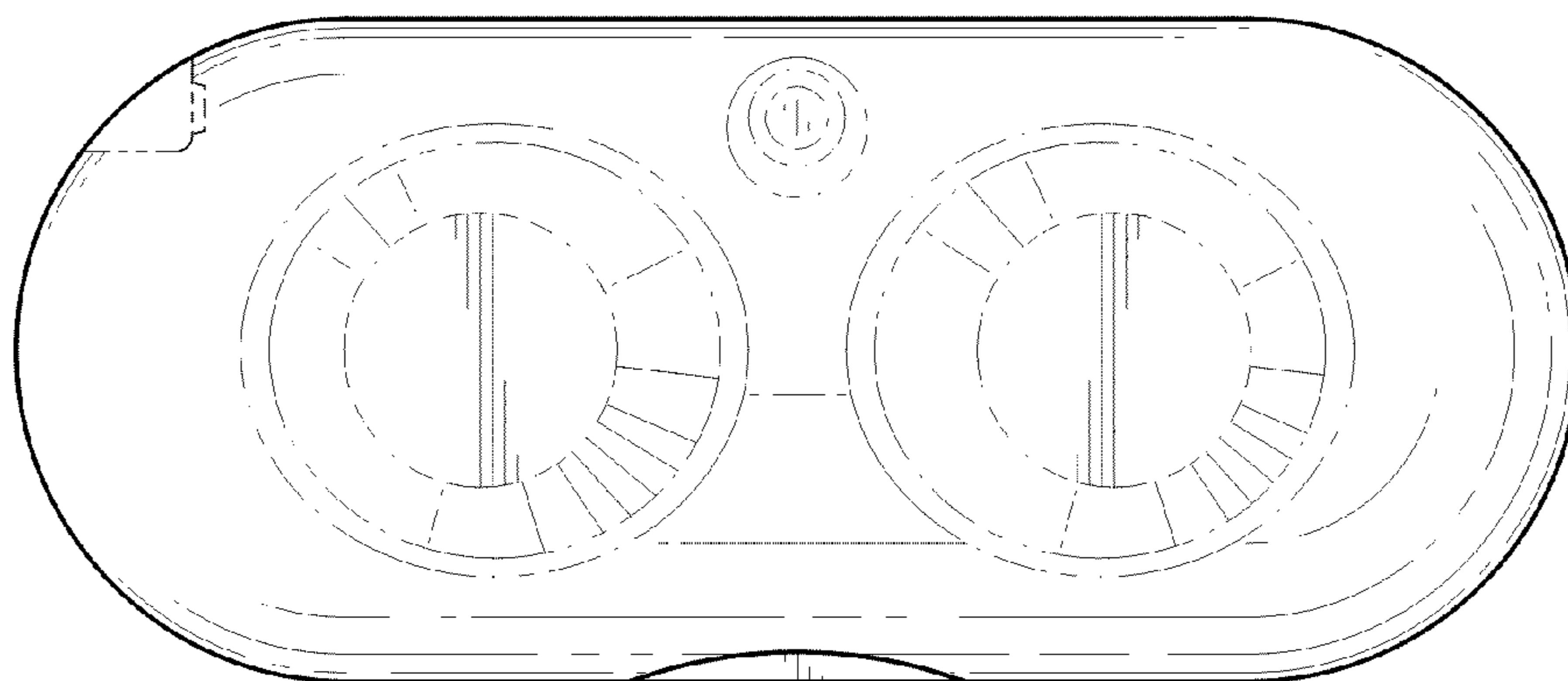


FIG. 7