



US00D636596S

(12) **United States Design Patent**  
**McGuire**

(10) **Patent No.:** **US D636,596 S**

(45) **Date of Patent:** **\*\* Apr. 26, 2011**

(54) **INSERT FOR GOLF BAG TOP**

(75) Inventor: **Brian J. McGuire**, Phoenix, AZ (US)

(73) Assignee: **Karsten Manufacturing Corporation**,  
Phoenix, AZ (US)

(\*\*) Term: **14 Years**

(21) Appl. No.: **29/366,223**

(22) Filed: **Jul. 21, 2010**

(51) **LOC (9) Cl.** ..... **03-01**

(52) **U.S. Cl.** ..... **D3/255**

(58) **Field of Classification Search** ..... D3/254–255;  
206/315.3–315.8

See application file for complete search history.

(56) **References Cited**

**U.S. PATENT DOCUMENTS**

4,932,523	A	6/1990	Yamazoe	
4,944,396	A	7/1990	Larkin	
5,094,345	A	3/1992	Yonnetti	
5,103,974	A *	4/1992	Antonious	206/315.6
5,458,240	A	10/1995	Rich et al.	
6,161,691	A	12/2000	Ratcliff et al.	
6,328,161	B1	12/2001	Kang	
6,345,722	B1	2/2002	Wingate	

6,357,585 B1 3/2002 Shin  
D494,761 S \* 8/2004 Gray ..... D3/320  
2007/0193965 A1 8/2007 Cialdella et al.

\* cited by examiner

*Primary Examiner* — Holly Baynham

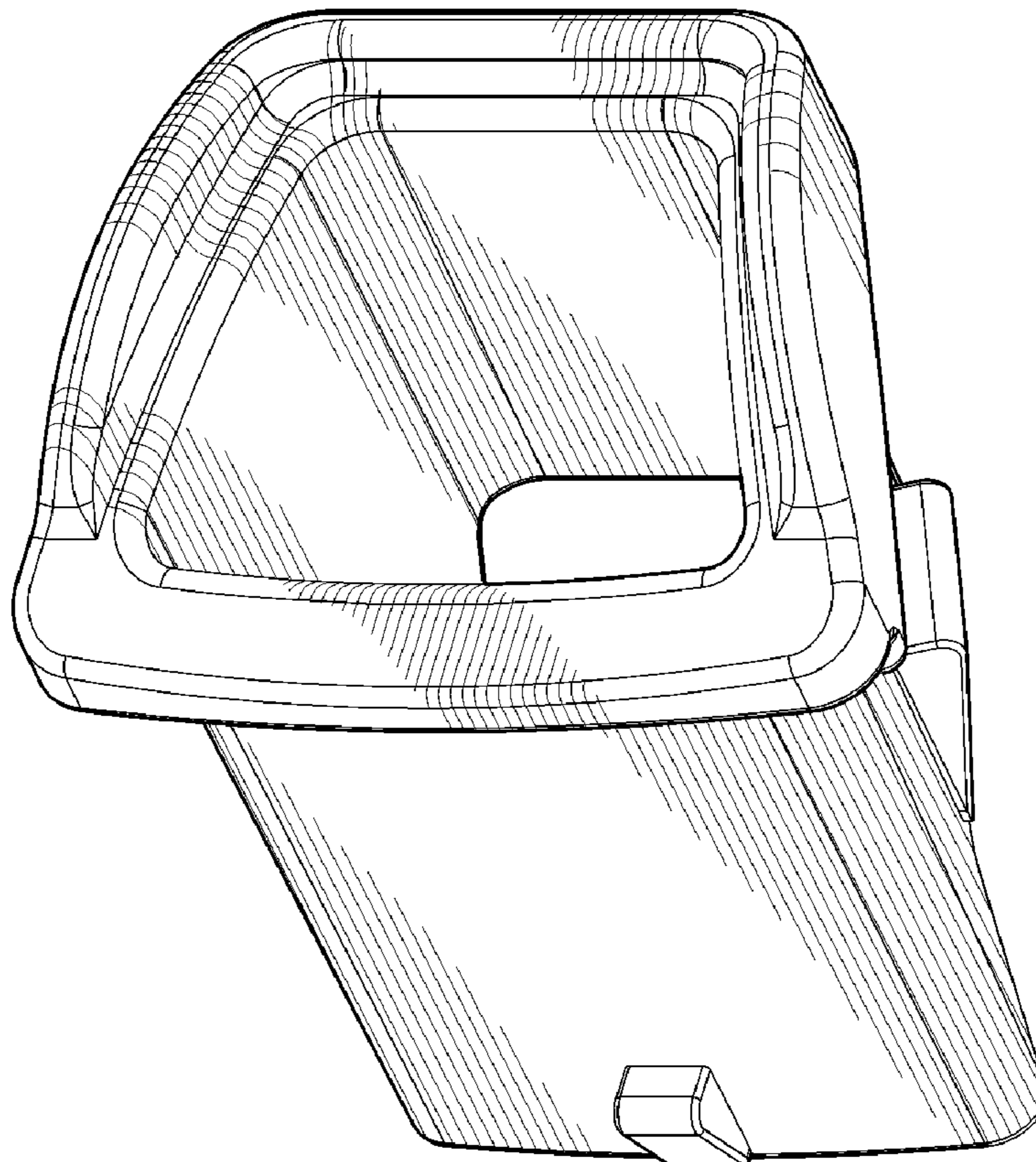
(57) **CLAIM**

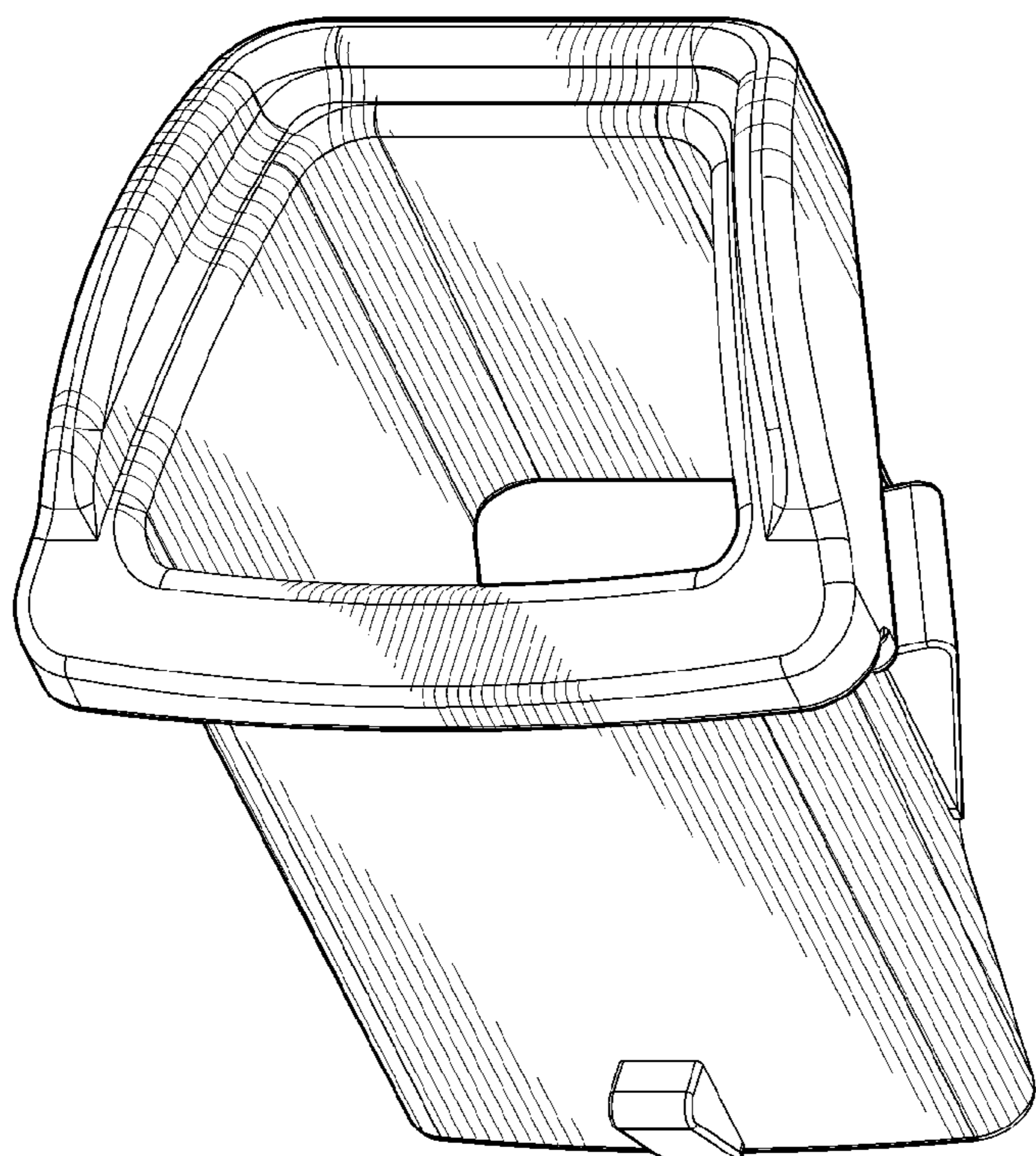
The ornamental design for an insert for golf bag top, as shown and described.

**DESCRIPTION**

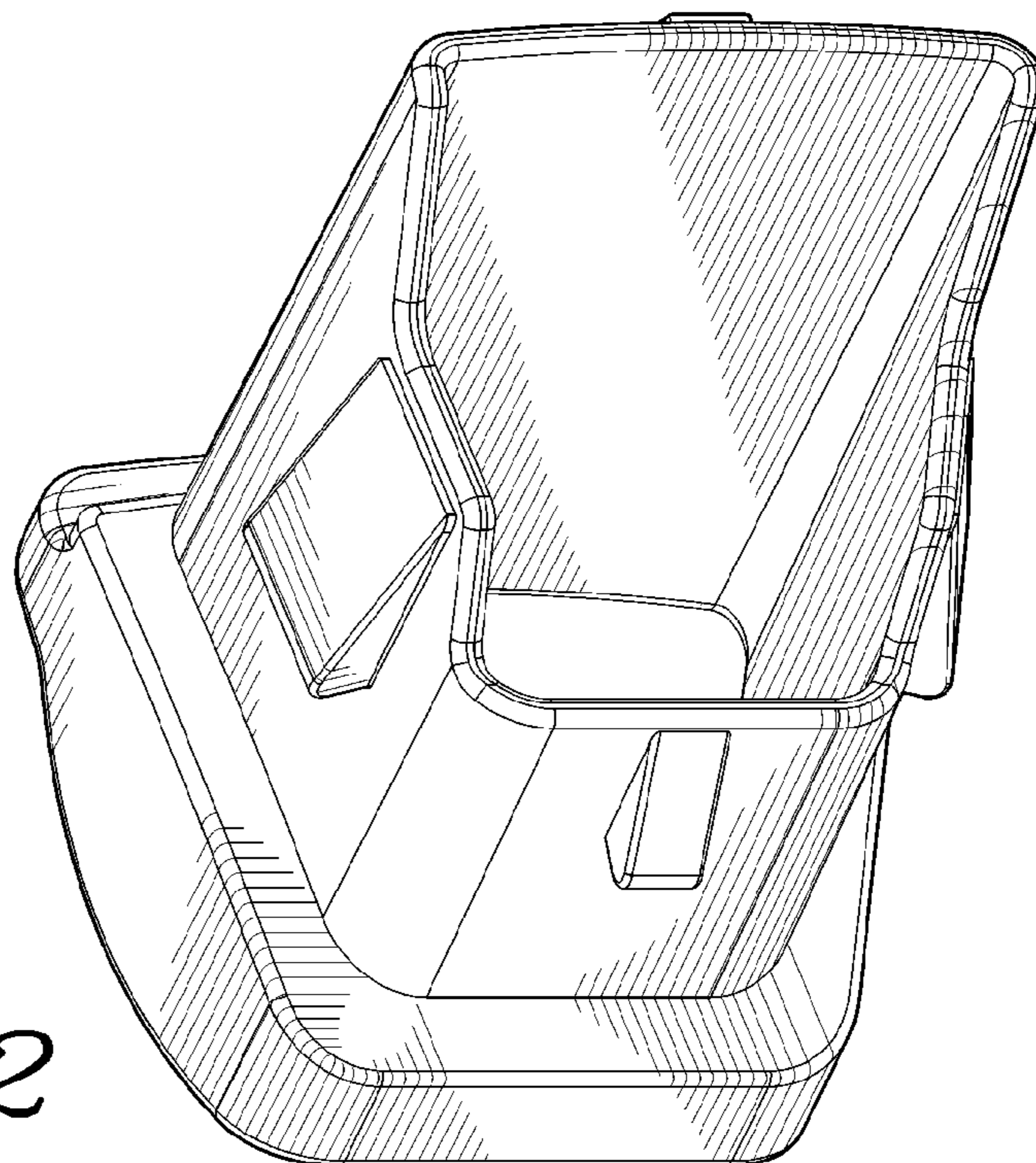
FIG. 1 is a top perspective view of an insert for golf bag top; FIG. 2 is a bottom perspective view of the insert for golf bag top of FIG. 1; FIG. 3 is a front elevational view of the insert for golf bag top of FIG. 1; FIG. 4 is a rear elevational view of the insert for golf bag top of FIG. 1; FIG. 5 is a top view of the insert for golf bag top of FIG. 1; FIG. 6 is a bottom view of the insert for golf bag top of FIG. 1; FIG. 7 is a right side view of the insert for golf bag top of FIG. 1; and, FIG. 8 is a left side view of the insert for golf bag top of FIG. 1.

**1 Claim, 3 Drawing Sheets**

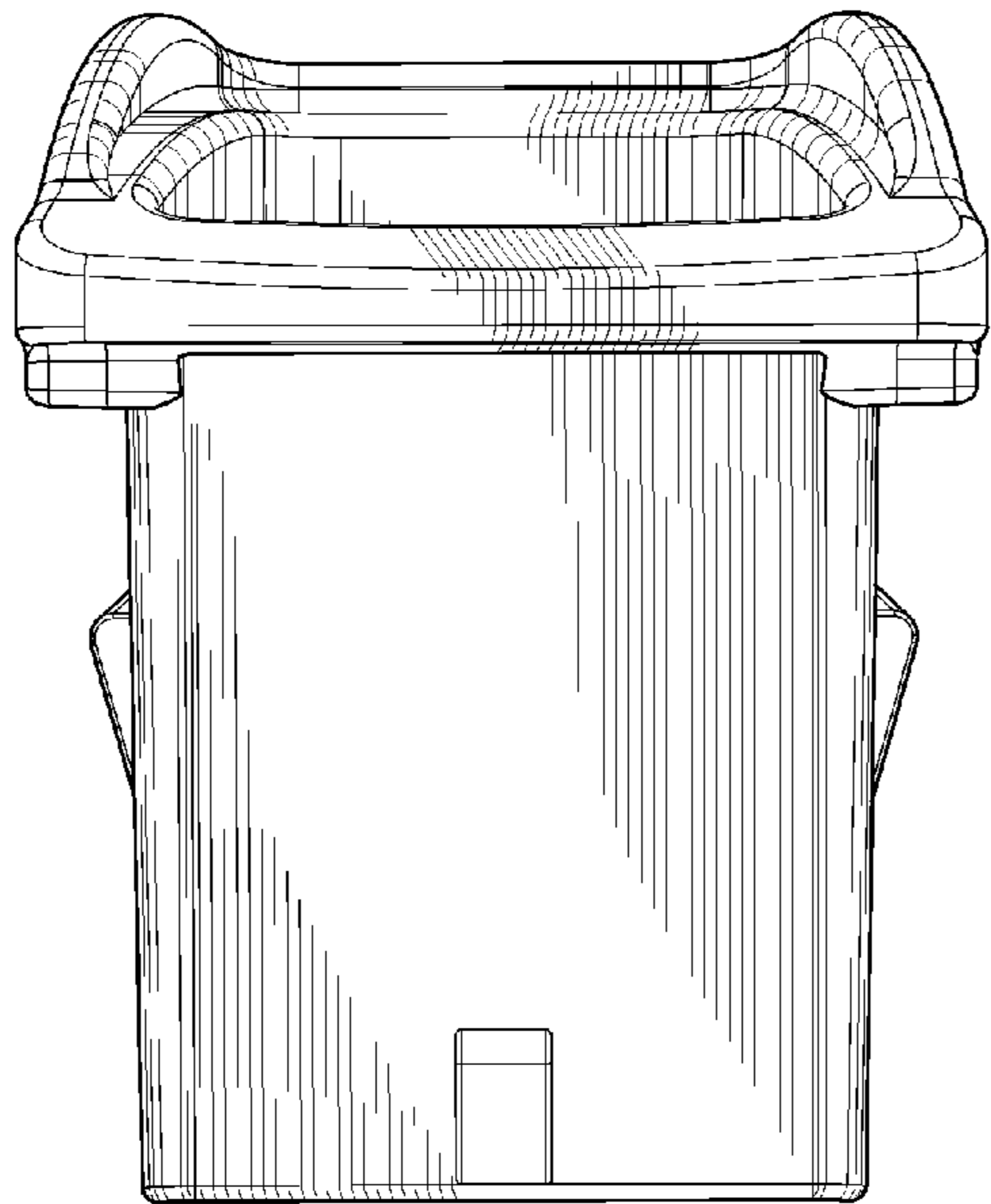




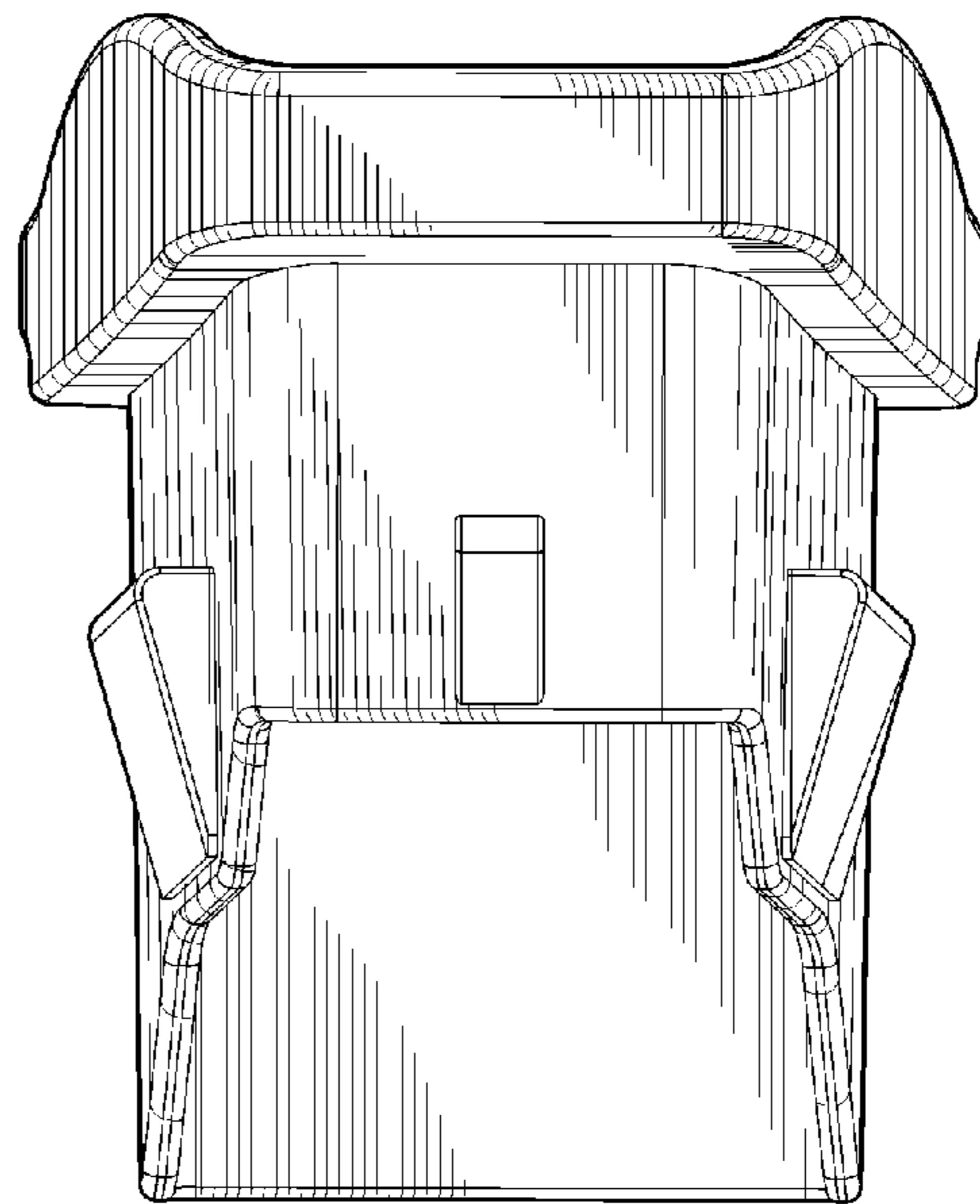
*Fig. 1*



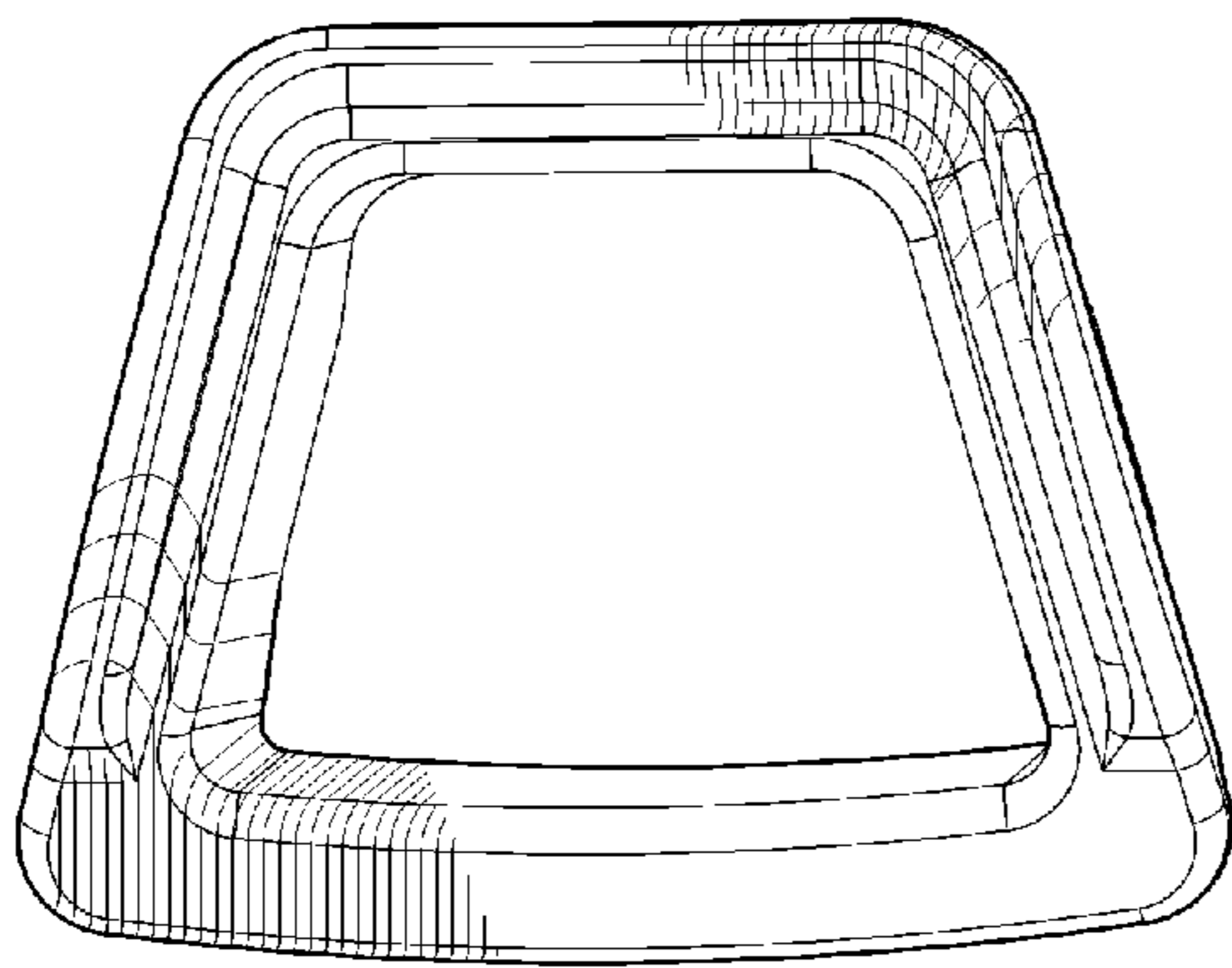
*Fig. 2*



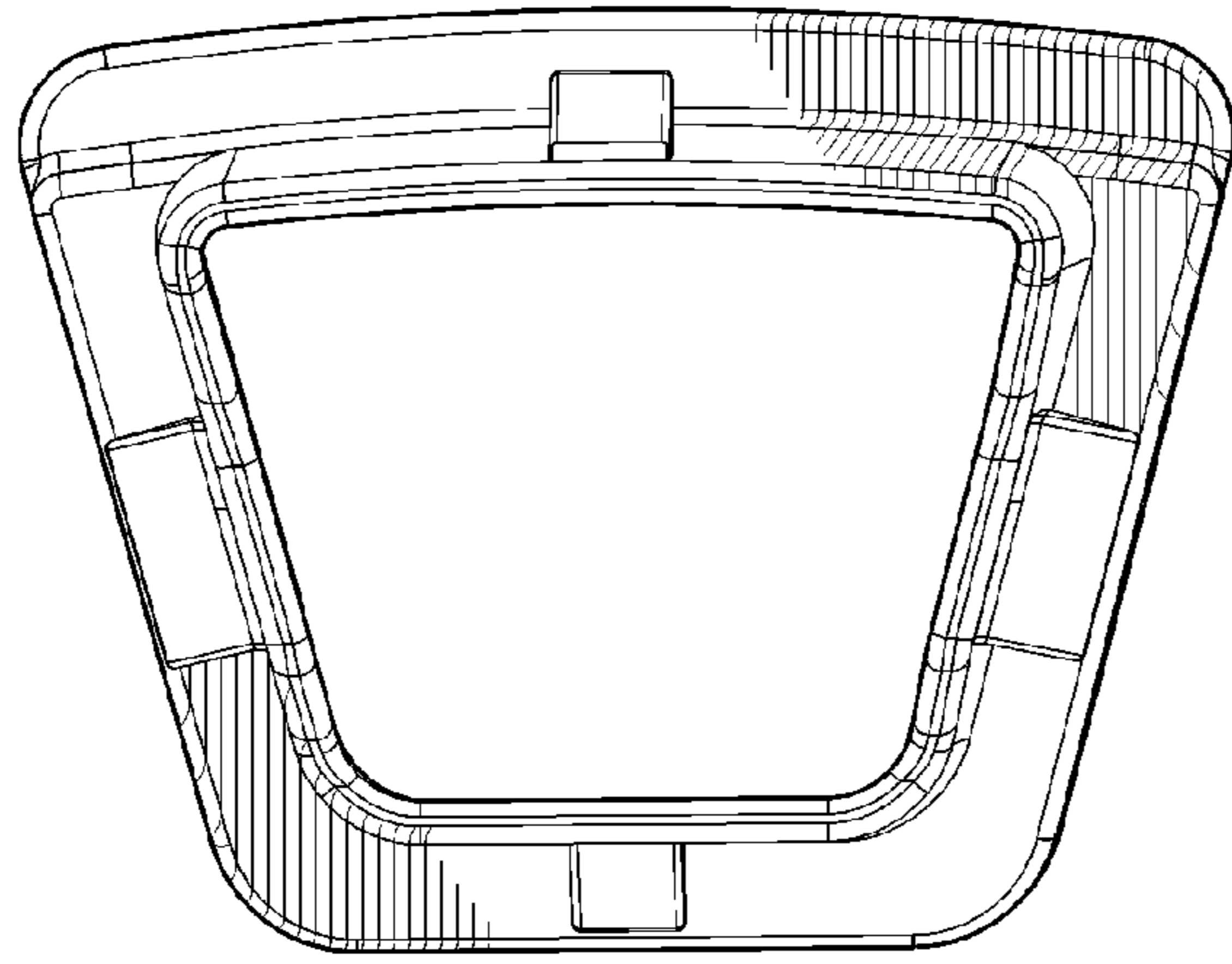
*Fig. 3*



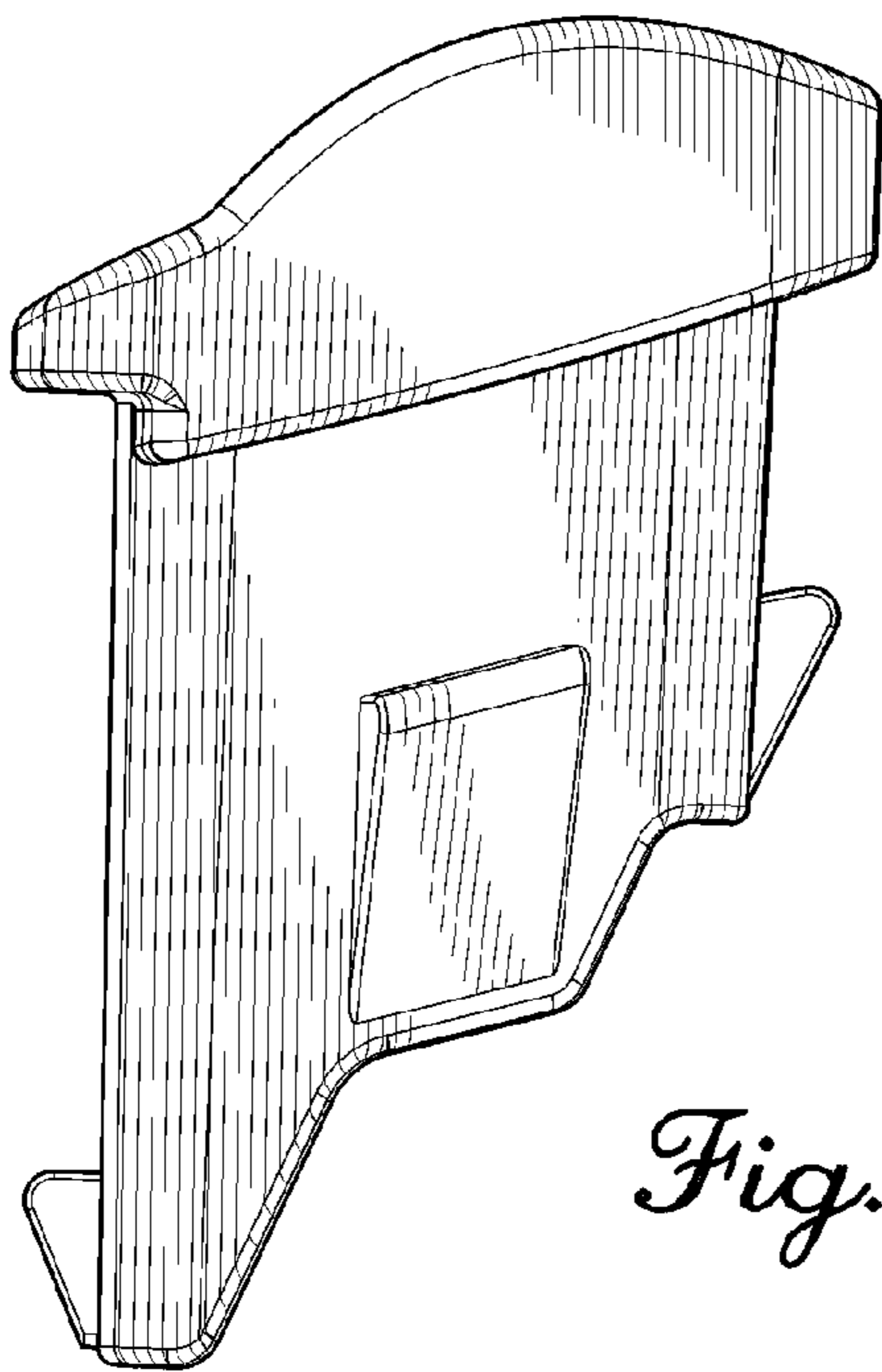
*Fig. 4*



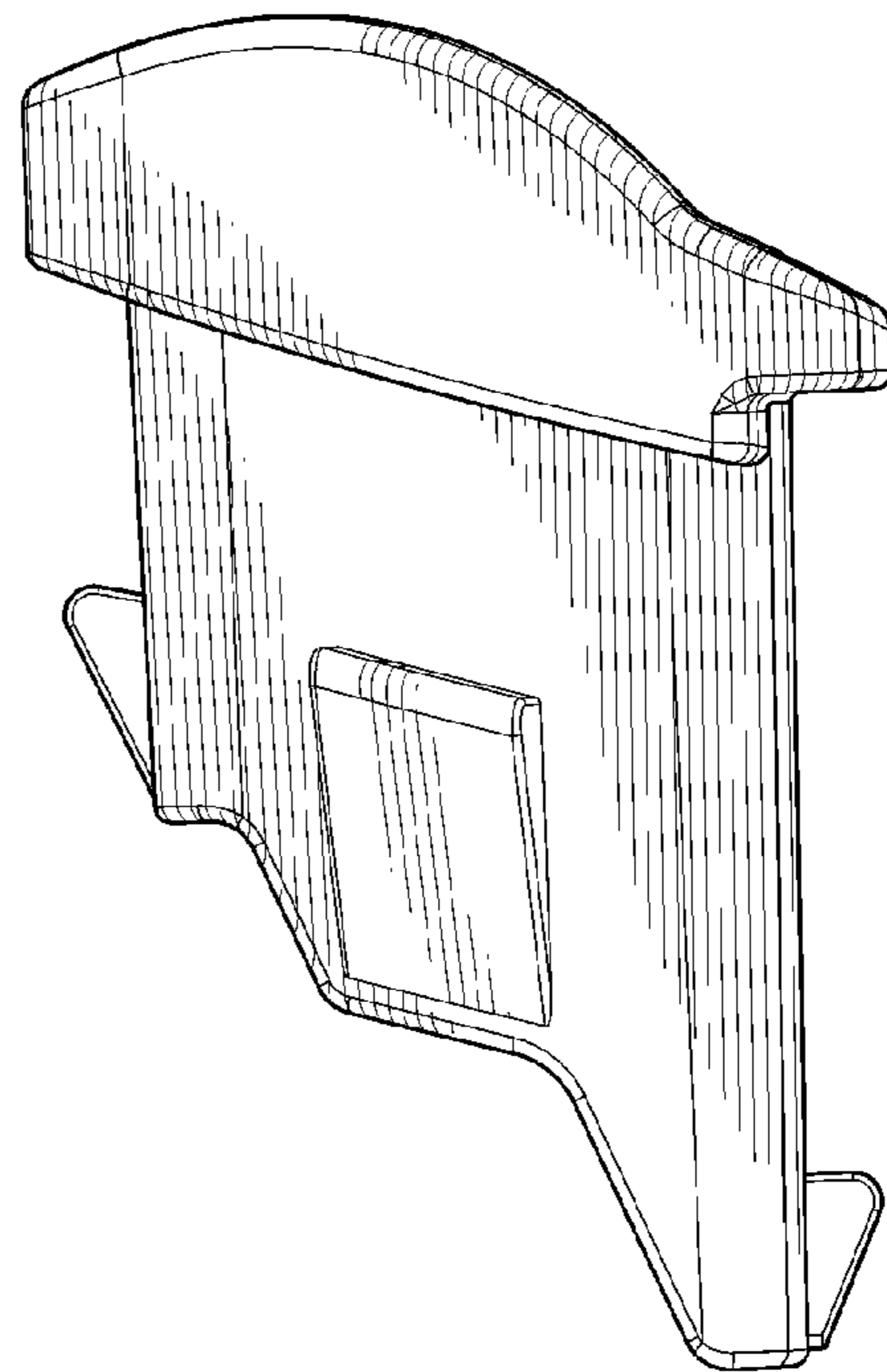
*Fig. 5*



*Fig. 6*



*Fig. 7*



*Fig. 8*