



US00D636576S

(12) **United States Design Patent**  
**MacIntyre**

(10) **Patent No.:** **US D636,576 S**

(45) **Date of Patent:** **\*\* Apr. 26, 2011**

(54) **FOOTWEAR UPPER**

(75) Inventor: **Jennifer MacIntyre**, Santa Barbara, CA (US)

(73) Assignee: **Deckers Outdoor Corporation**, Goleta, CA (US)

(\*\*) Term: **14 Years**

(21) Appl. No.: **29/378,201**

(22) Filed: **Nov. 1, 2010**

(51) **LOC (9) Cl.** ..... **02-99**

(52) **U.S. Cl.** ..... **D2/970**

(58) **Field of Classification Search** ..... D2/896,  
D2/900, 909-911, 943, 946, 969, 970, 974;  
36/83, 1.5, 2 R, 109, 3 A, 7.1 R, 45, 52, 112,  
36/100

See application file for complete search history.

(56) **References Cited**

**U.S. PATENT DOCUMENTS**

D21,954 S	11/1892	Richardson	
904,254 A	11/1908	Fox	
D42,322 S	3/1912	Grosvenor	
D125,568 S	3/1941	Hard	
D145,453 S	8/1946	L'Hollier	
D152,309 S	1/1949	Williams	
D155,573 S	10/1949	Bingham, Jr.	
D159,577 S	8/1950	Barron	
D270,205 S	8/1983	Casetta	
D400,342 S	11/1998	Davidowitz	
D410,322 S	6/1999	Davidowitz	
D497,476 S *	10/2004	Huard et al.	D2/970
D544,188 S *	6/2007	Le	D2/970
D554,341 S	11/2007	Belley	
D556,998 S	12/2007	Belley	
D561,983 S	2/2008	FitzGerald	
D572,893 S	7/2008	Le	
D572,894 S	7/2008	Le	
D574,600 S	8/2008	St. Louis	
D575,050 S	8/2008	St. Louis	
D576,783 S	9/2008	Earle	

D578,747 S *	10/2008	Le	D2/970
D579,188 S	10/2008	Le	
D581,646 S *	12/2008	Le	D2/970
D582,651 S	12/2008	Andersen	
D585,635 S	2/2009	Le	
D589,241 S	3/2009	Le	

(Continued)

**FOREIGN PATENT DOCUMENTS**

EM 000718002-0007 4/2007

*Primary Examiner* — Robert M Spear

*Assistant Examiner* — Rashida C McCoy

(74) *Attorney, Agent, or Firm* — Greer, Burns & Crain, Ltd.

(57) **CLAIM**

The ornamental design for a footwear upper, as shown and described.

**DESCRIPTION**

FIG. 1 is a lateral perspective view of a footwear upper showing my new design;

FIG. 2 is a lateral side elevational view thereof;

FIG. 3 is a medial side elevational view thereof;

FIG. 4 is a front elevational view thereof;

FIG. 5 is a rear elevational view thereof;

FIG. 6 is a top plan view thereof;

FIG. 7 is a bottom plan view thereof;

FIG. 8 is a lateral perspective view thereof in a folded down position;

FIG. 9 is a lateral side elevational view thereof;

FIG. 10 is a medial side elevational view thereof;

FIG. 11 is a front elevational view thereof;

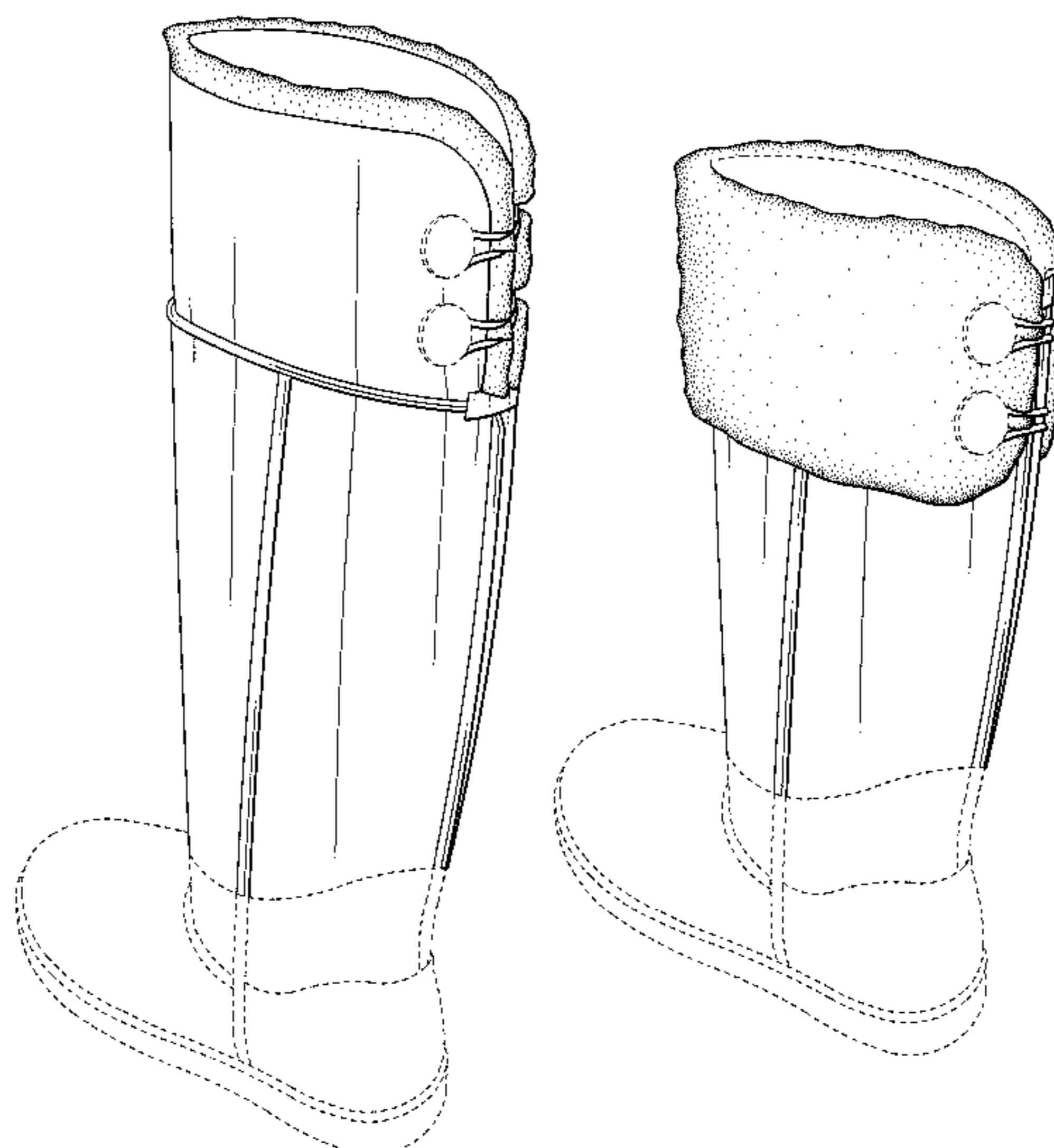
FIG. 12 is a rear elevational view thereof;

FIG. 13 is a top plan view thereof; and,

FIG. 14 is a bottom plan view thereof.

The broken lines in FIGS. 1-14 represent portions of the footwear that form no part of the claim design. The broken lines that define the bounds of the claimed design form no part thereof.

**1 Claim, 10 Drawing Sheets**



# US D636,576 S

Page 2

---

## U.S. PATENT DOCUMENTS

D599,999 S 9/2009 MacIntyre  
D609,885 S 2/2010 Briggs  
D612,587 S 3/2010 Wang

D616,189 S 5/2010 MacIntyre  
D616,190 S 5/2010 MacIntyre

\* cited by examiner

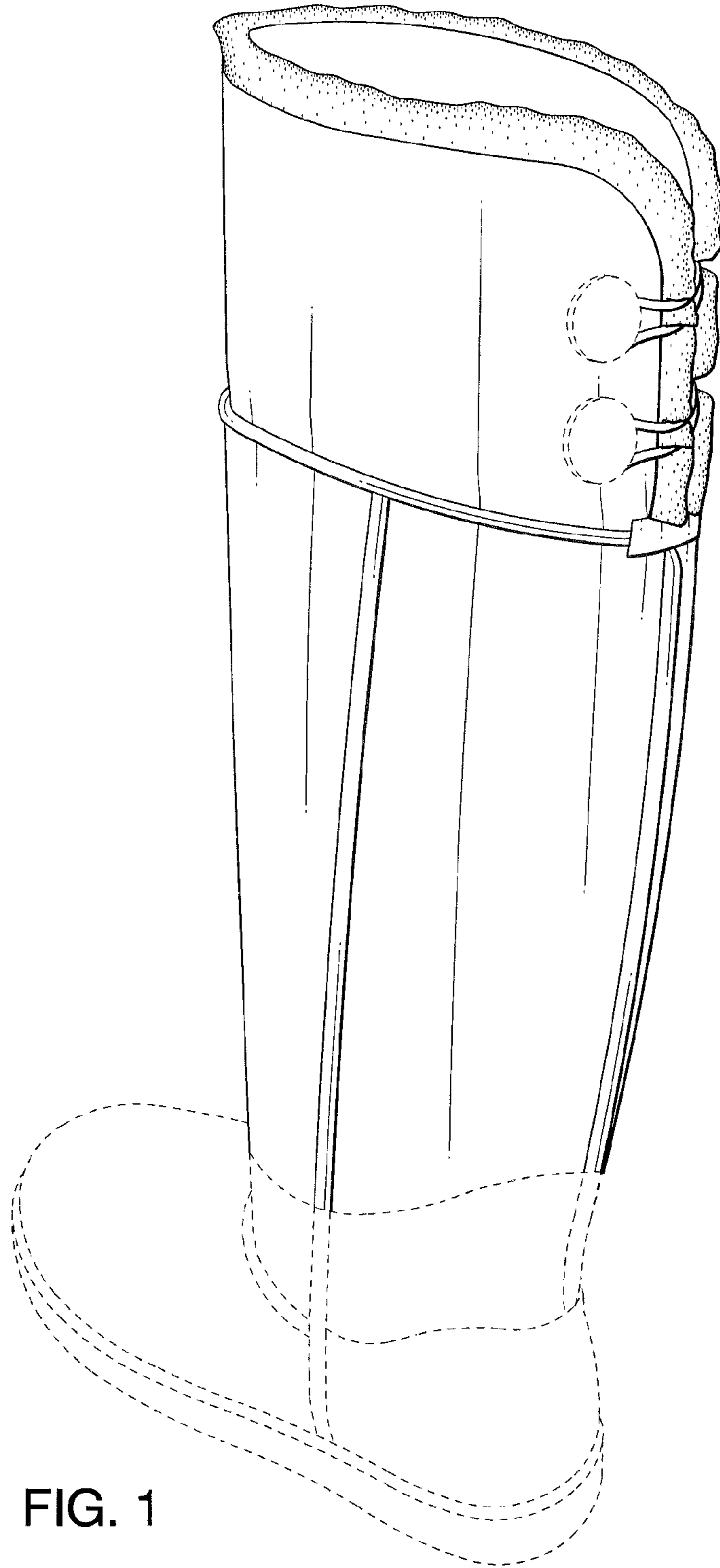
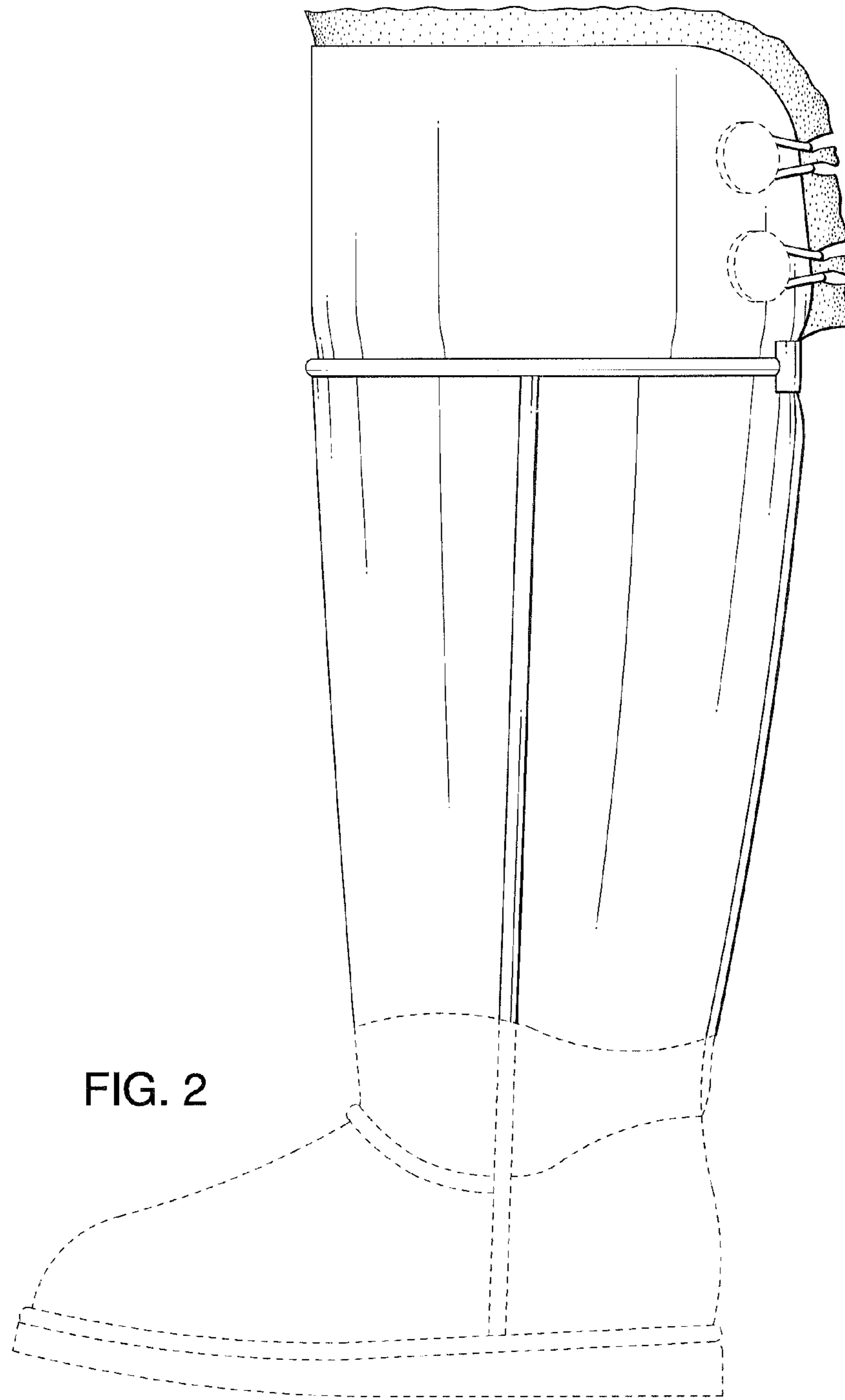


FIG. 1



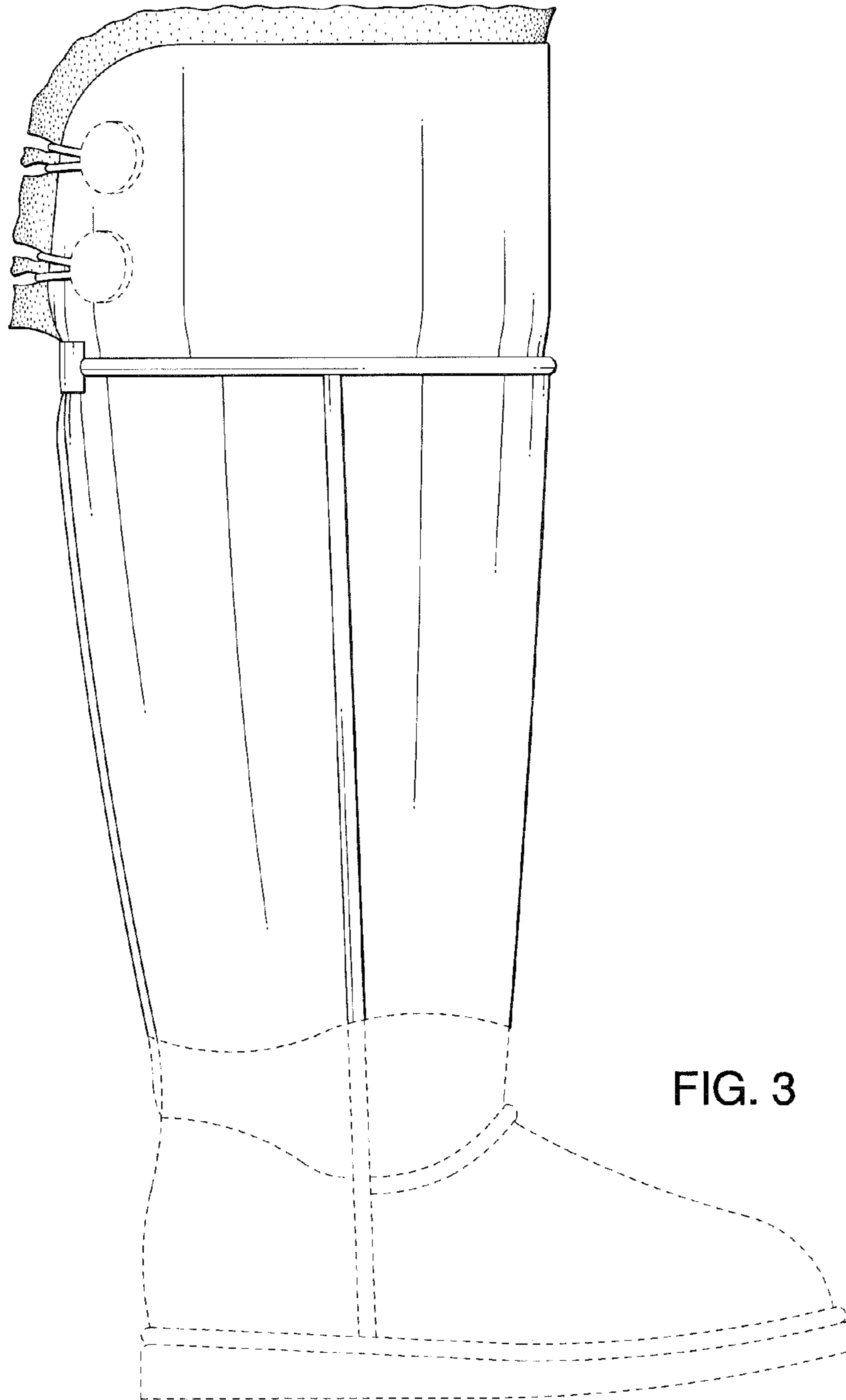


FIG. 3

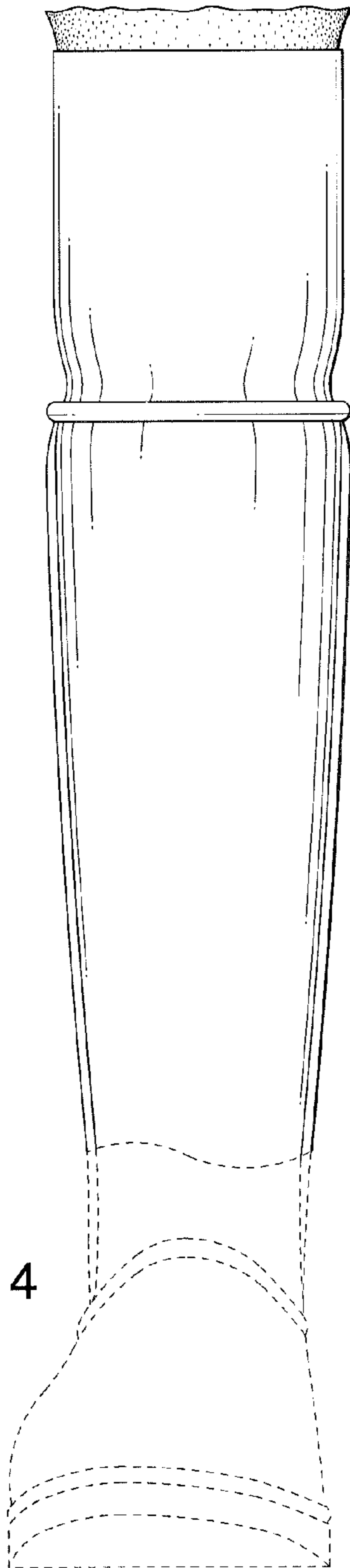


FIG. 4

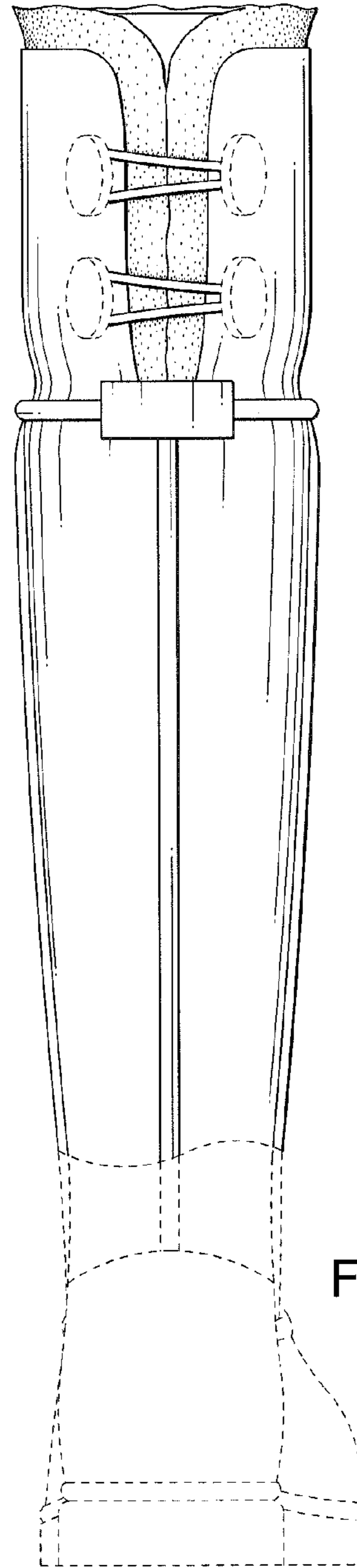


FIG. 5

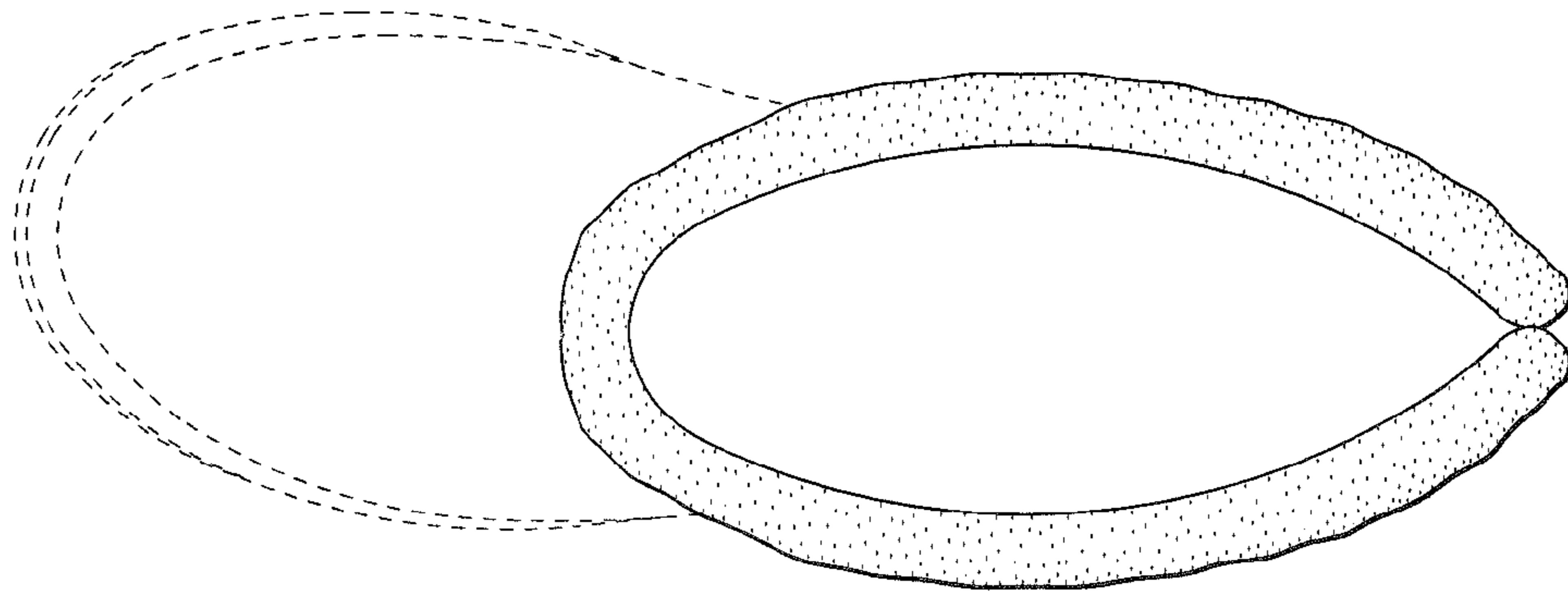


FIG. 6

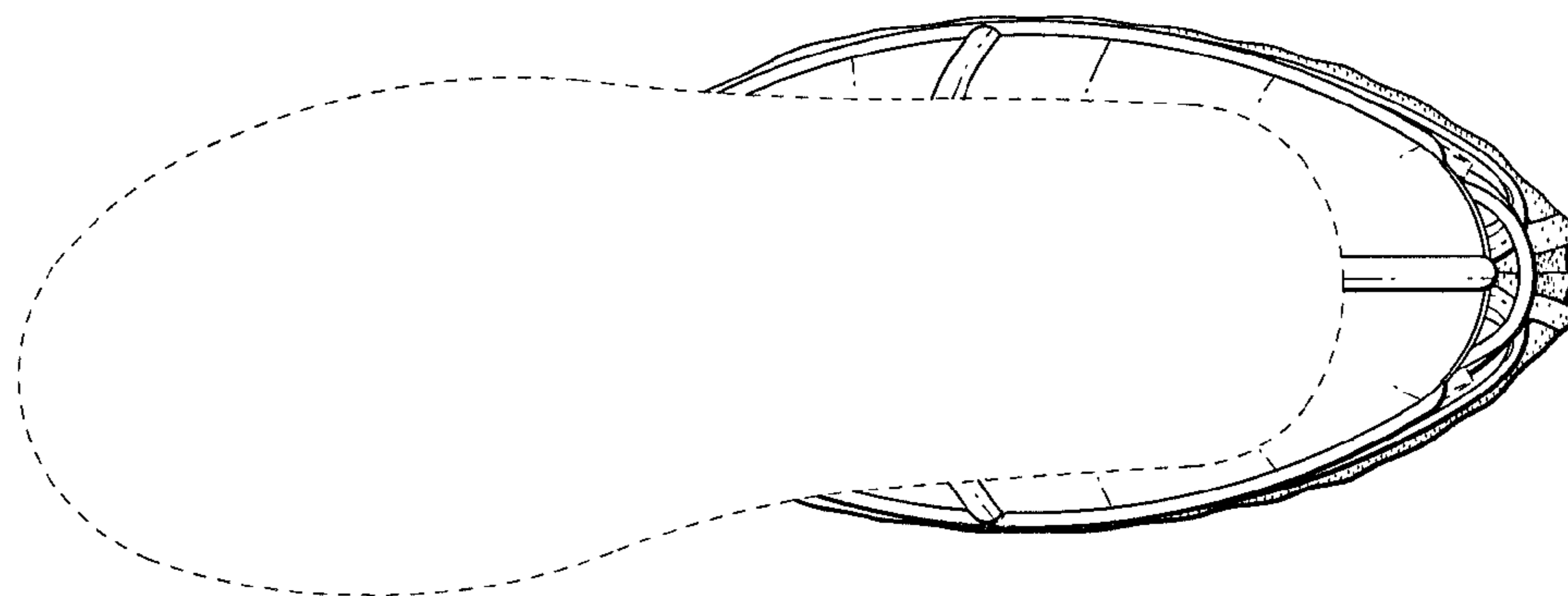


FIG. 7



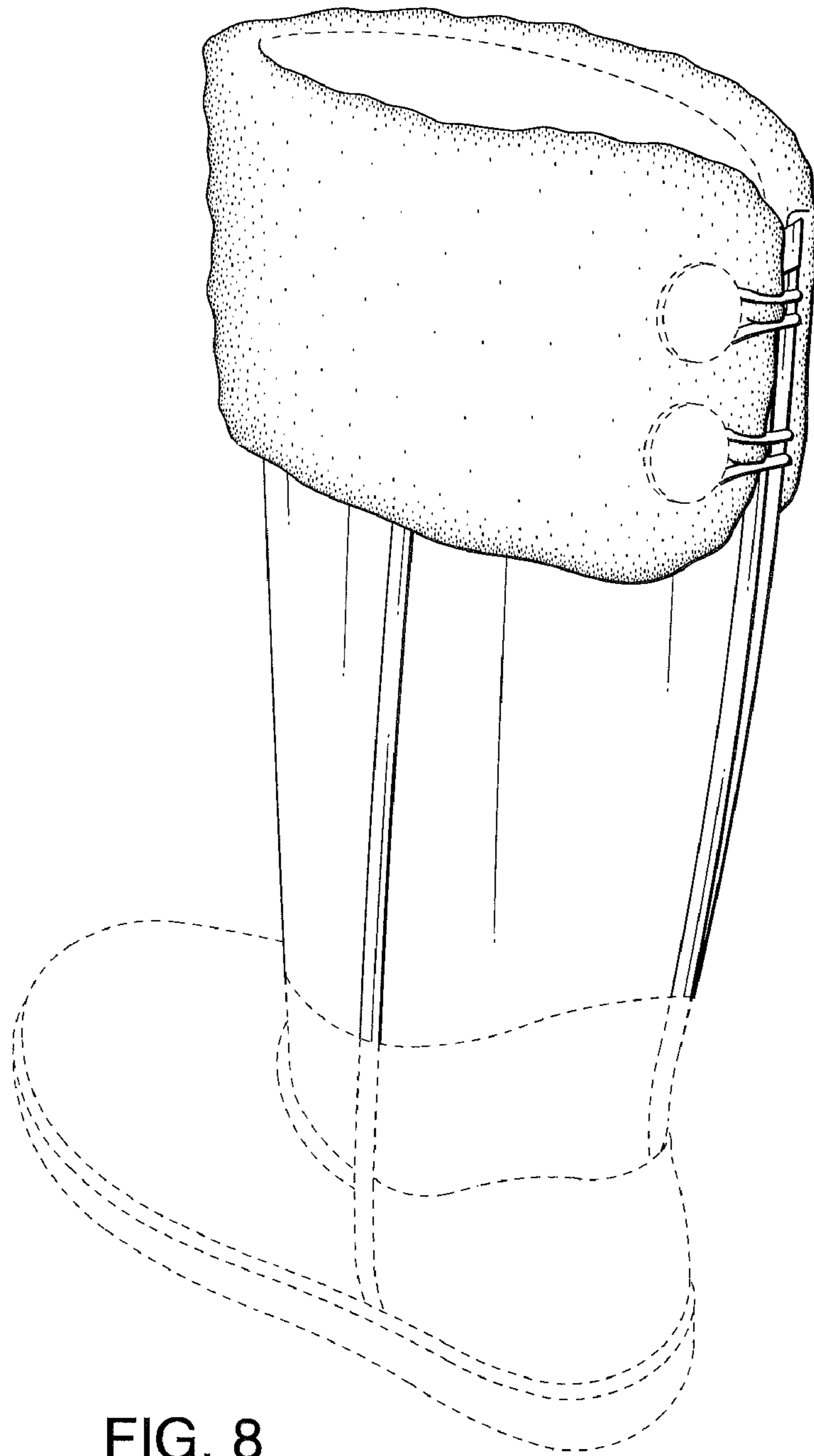


FIG. 8



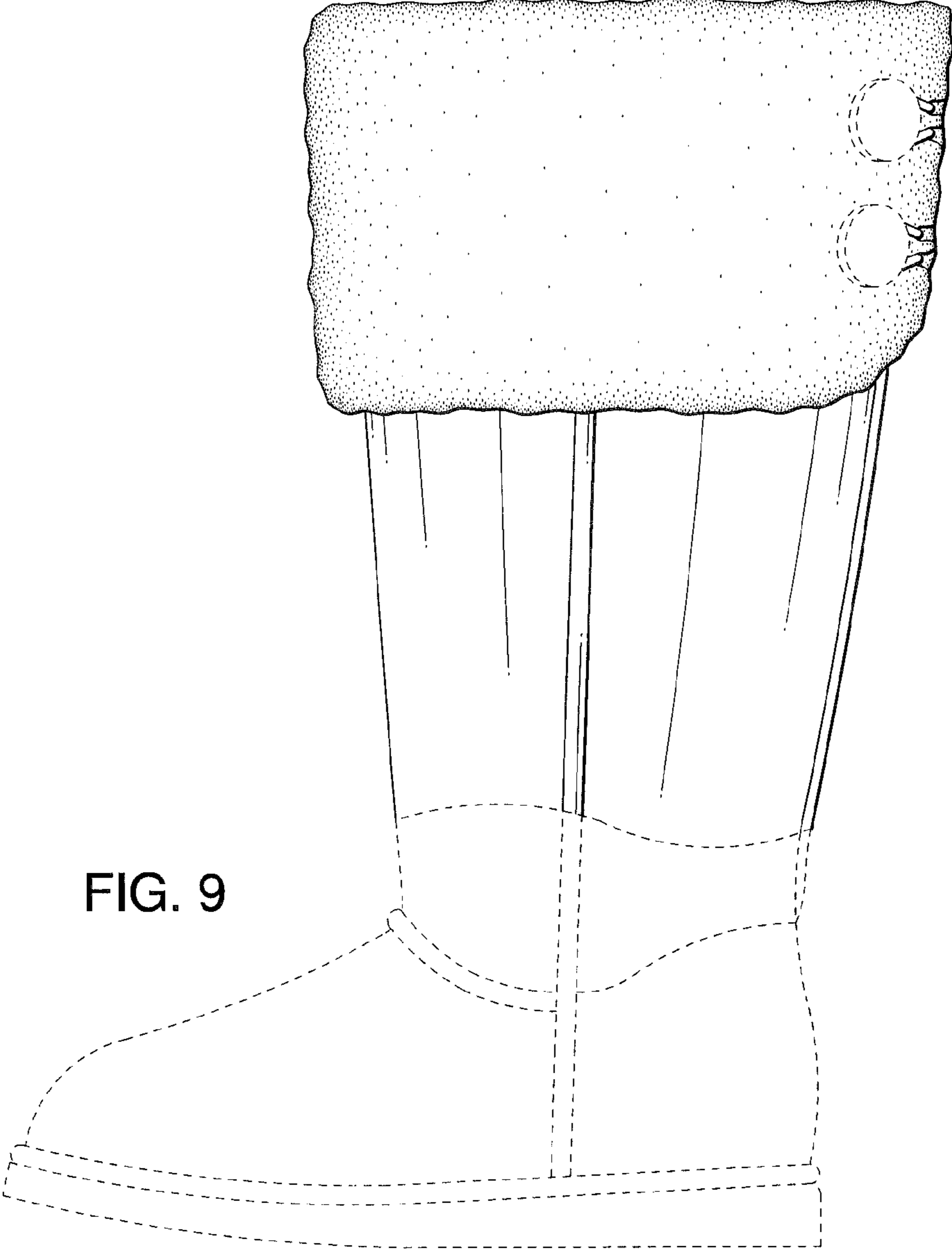


FIG. 9

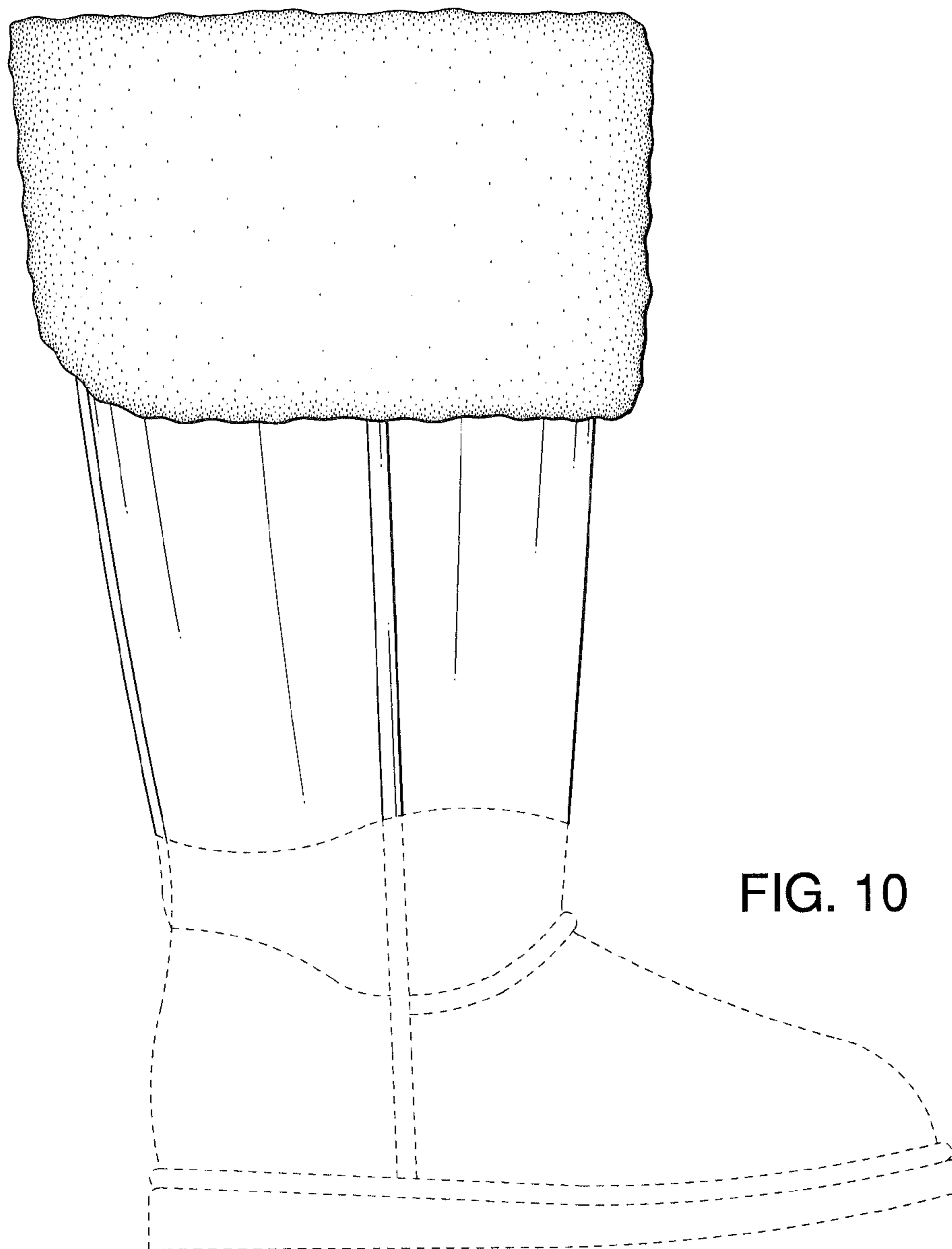


FIG. 10

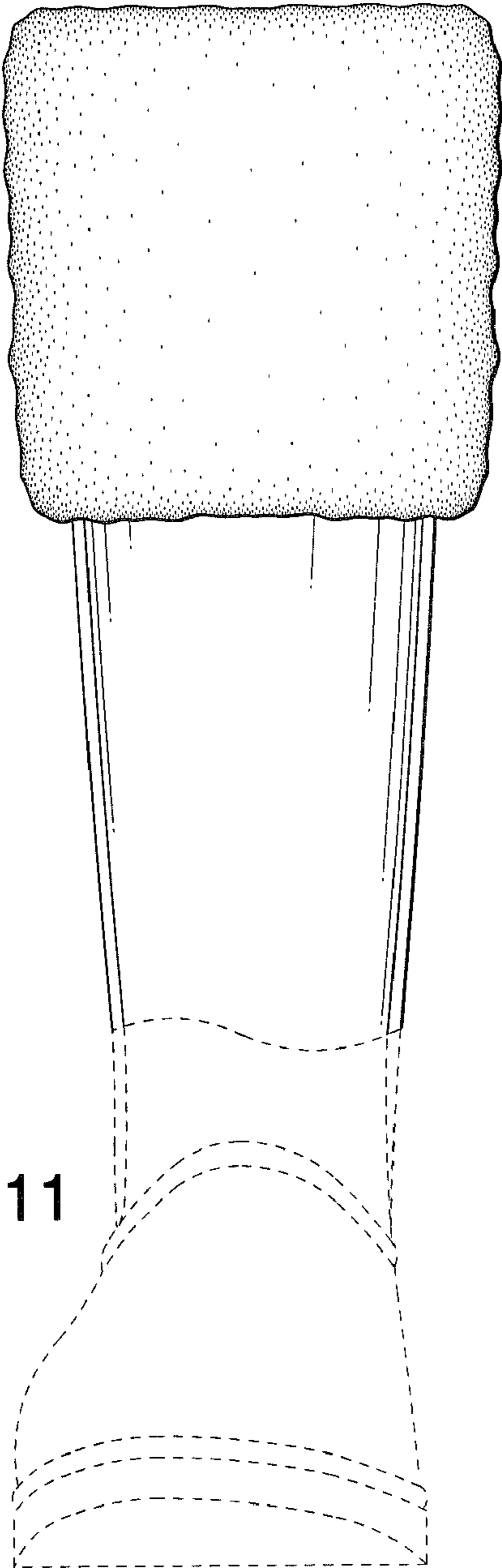


FIG. 11

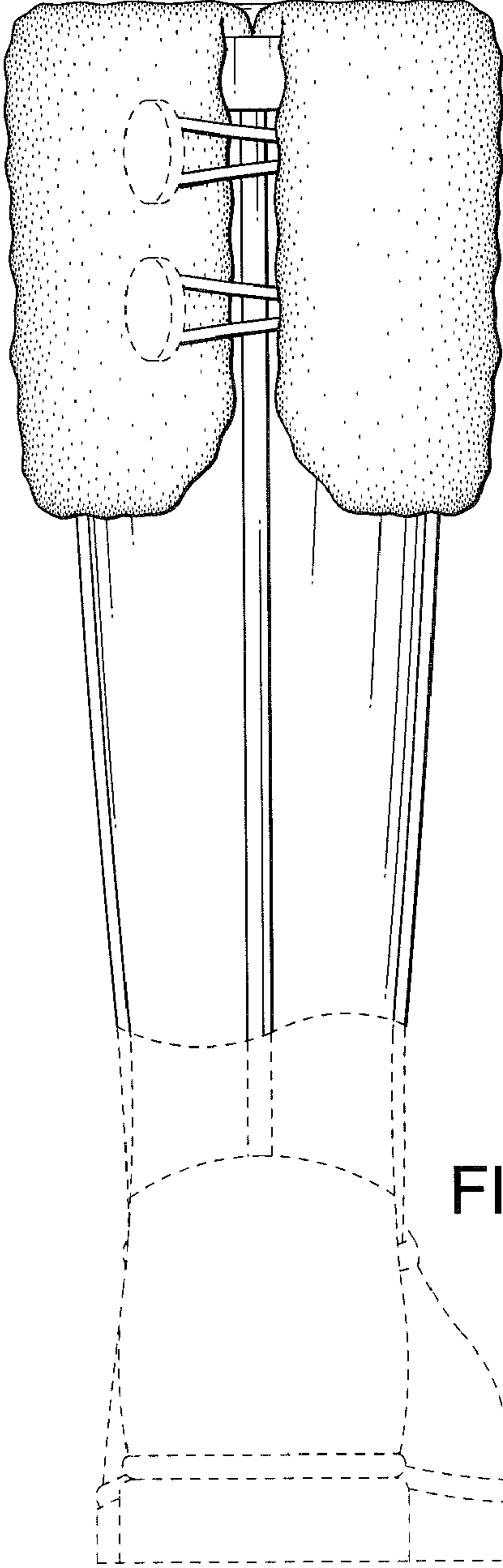


FIG. 12

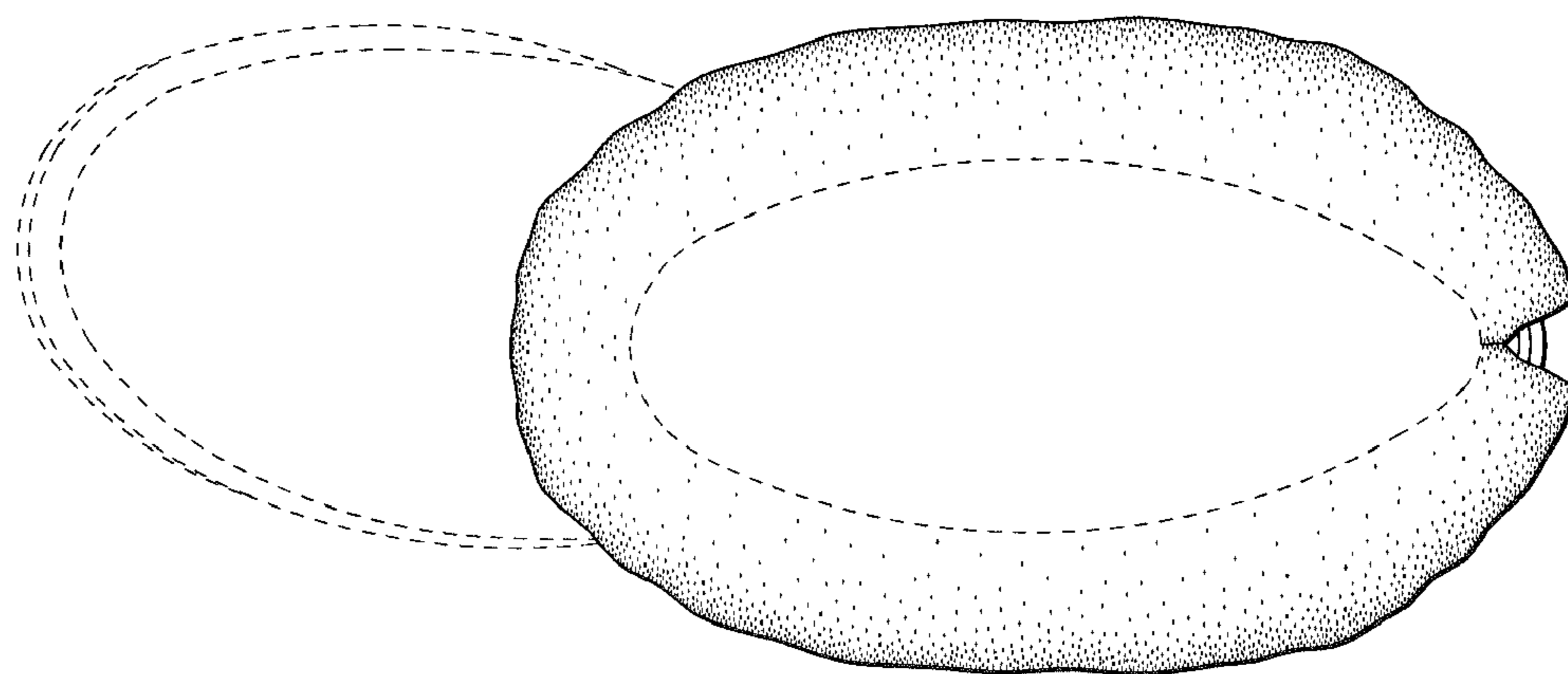


FIG. 13

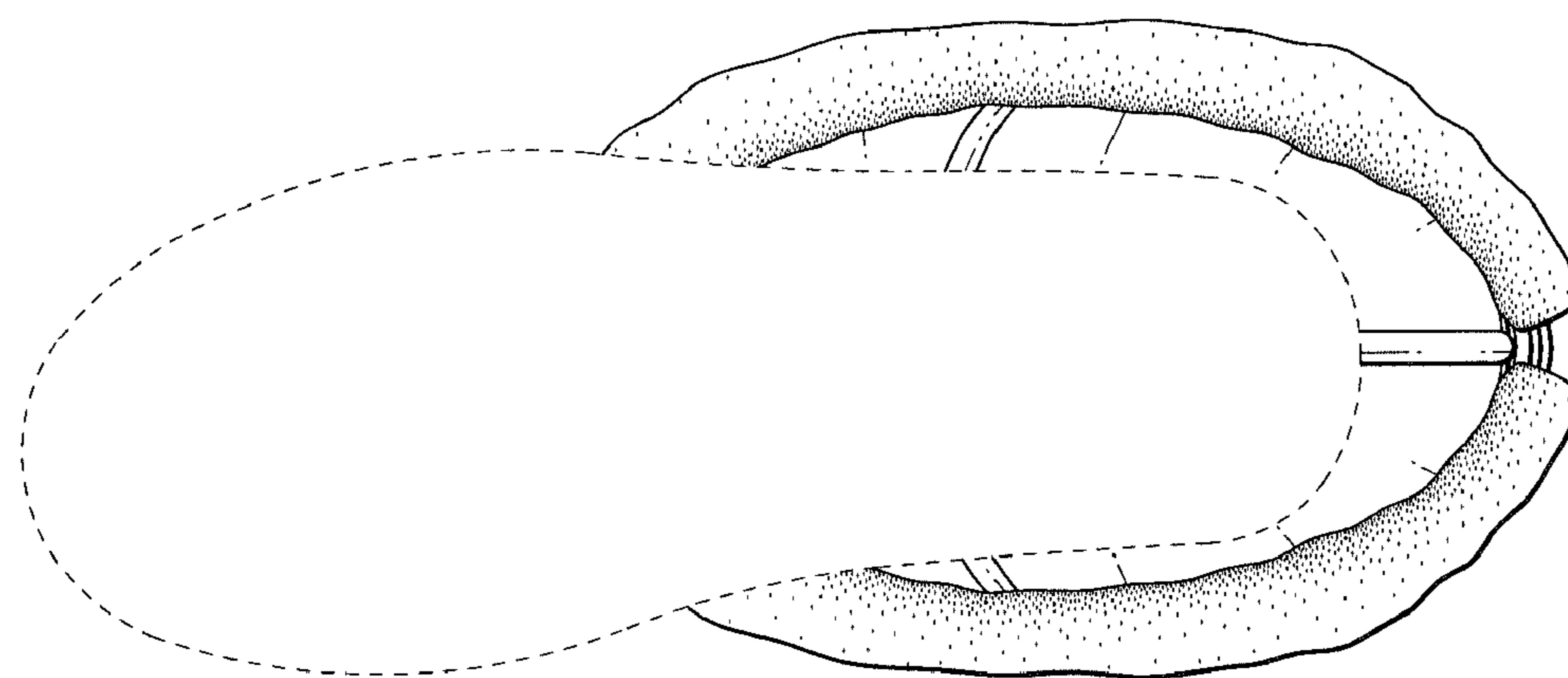


FIG. 14