



US00D636570S

(12) **United States Design Patent**
Merritt et al.

(10) **Patent No.:** **US D636,570 S**

(45) **Date of Patent:** **** Apr. 26, 2011**

(54) **PAIR OF FOOTWEAR ARTICLES**

(75) Inventors: **Bernard Merritt**, Hingham, MA (US);
Alain Laverdure, Medford, MA (US)

(73) Assignee: **SR Holdings, LLC**, Lexington, MA
(US)

(**) Term: **14 Years**

(21) Appl. No.: **29/375,058**

(22) Filed: **Sep. 16, 2010**

Related U.S. Application Data

(63) Continuation of application No. 12/621,024, filed on
Nov. 18, 2009.

(51) **LOC (9) Cl.** **02-04**

(52) **U.S. Cl.** **D2/951; D2/954; D2/960**

(58) **Field of Classification Search** D2/902,
D2/906, 908, 916, 918, 925, 946, 947, 951–954,
D2/956–962, 977; 36/3 B, 22 R, 24.5, 25 R,
36/28, 32 R, 34 R, 59 C, 67 A, 103
See application file for complete search history.

(56) **References Cited**

U.S. PATENT DOCUMENTS

1,352,865	A	9/1920	Augestad	
2,508,318	A	5/1950	Wallach	
3,142,910	A	8/1964	Levine	
D267,288	S	12/1982	Davis	
D267,366	S *	12/1982	Davis	D2/951
4,372,059	A	2/1983	Ambrose	
4,492,046	A	1/1985	Kosova	
4,494,320	A	1/1985	Davis	
D282,123	S *	1/1986	Davis	D2/959
5,195,258	A	3/1993	Loader	
5,203,095	A	4/1993	Allen	
D348,147	S	6/1994	Nakano	
5,507,106	A	4/1996	Fox	
5,579,591	A	12/1996	Kousaka et al.	
5,592,757	A	1/1997	Jackinsky	
D384,795	S	10/1997	Hudson	

D388,947	S *	1/1998	Sessa	D2/961
D392,445	S *	3/1998	Tresser	D2/954
5,826,351	A	10/1998	Tsuji	
D401,396	S	11/1998	Kayano	
5,896,679	A	4/1999	Baldwin	

(Continued)

Primary Examiner — T. Chase Nelson

(74) *Attorney, Agent, or Firm* — Honigman Miller Schwartz
and Cohn LLP

(57) **CLAIM**

The ornamental design for a pair of footwear articles, as
shown and described.

DESCRIPTION

FIG. 1 is a right-front perspective view of one article of a pair
of footwear articles, showing our new design;

FIG. 2 is a left-front perspective view of the footwear article
of FIG. 1;

FIG. 3 is a right-rear perspective view of the footwear article
of FIG. 1;

FIG. 4 is a left-rear perspective view of the footwear article of
FIG. 1;

FIG. 5 is a front view of the footwear article of FIG. 1;

FIG. 6 is a rear view of the footwear article of FIG. 1;

FIG. 7 is a left side view of the footwear article of FIG. 1;

FIG. 8 is a right side view of the footwear article of FIG. 1;

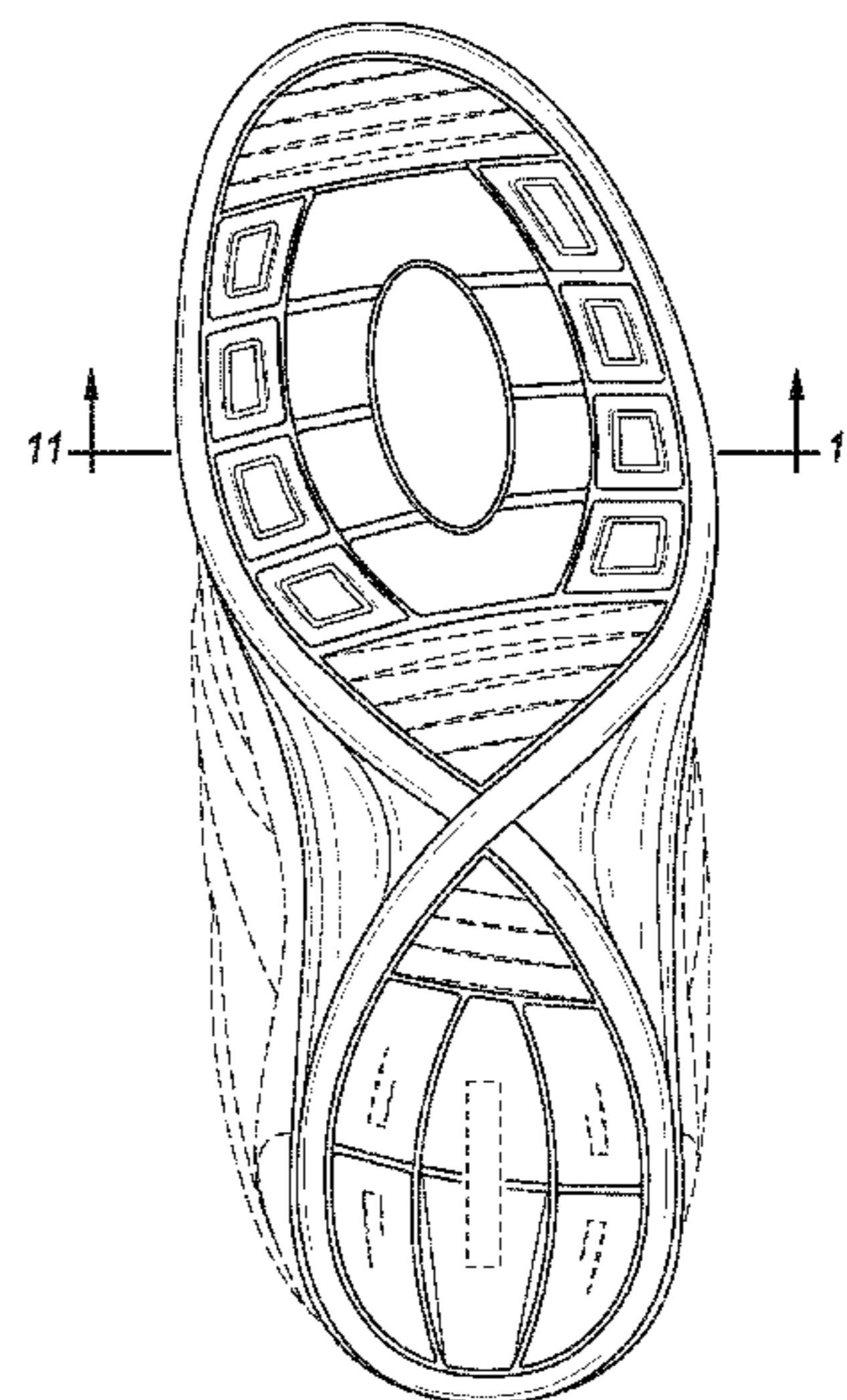
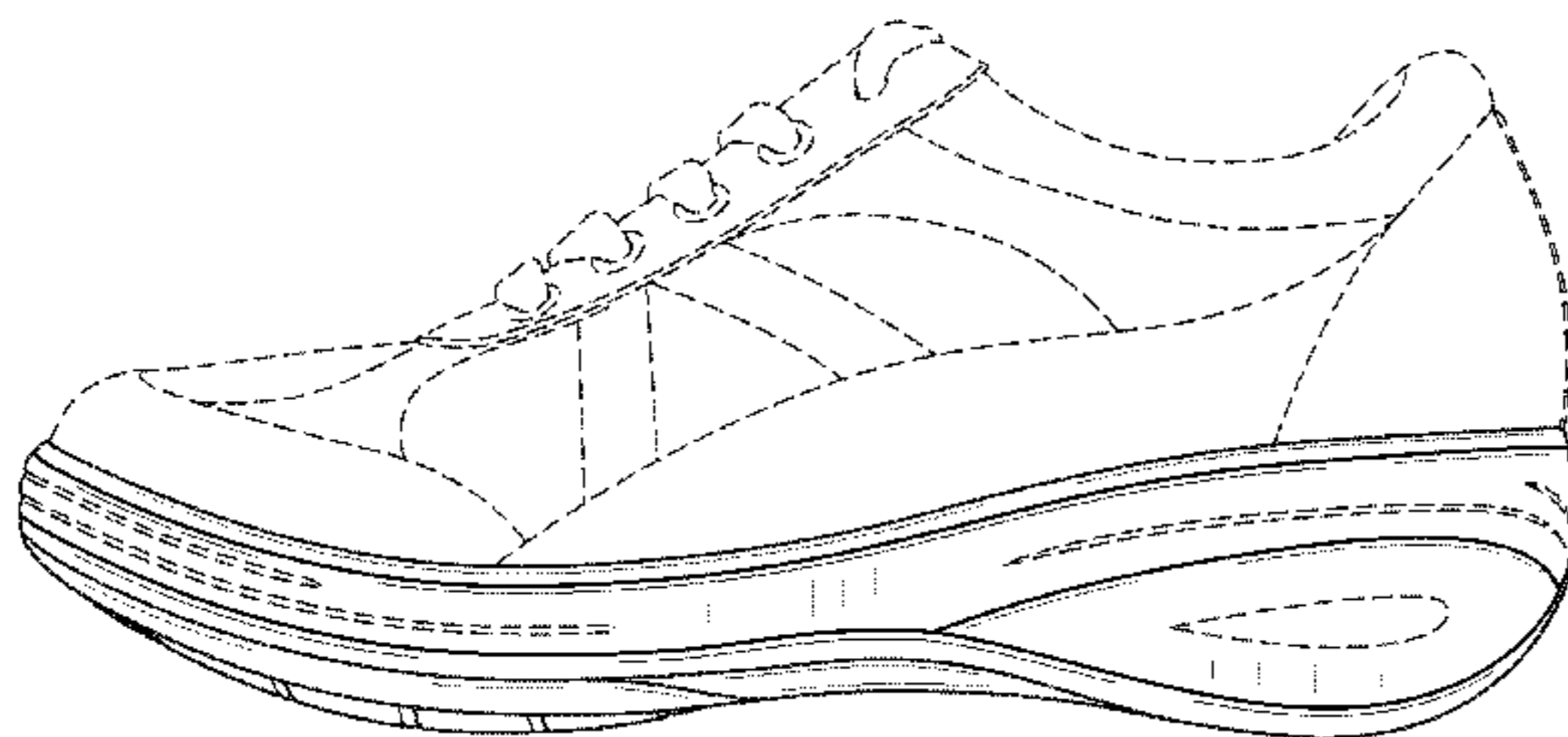
FIG. 9 is a top plan view of the footwear article of FIG. 1;

FIG. 10 is a bottom plan view of the footwear article of FIG.
1; and,

FIG. 11 is a cross-sectional view of the footwear article taken
along line 11—11 of FIG. 10.

The drawings show the design of an article of footwear suit-
able for being worn on a left foot. The ornamental design also
includes the mirror images of drawings, i.e., the design of an
article of footwear suitable for being worn on the right foot.
The broken lines in the drawing views depict portions of the
pair of footwear articles that form no part of the claimed
design.

1 Claim, 10 Drawing Sheets



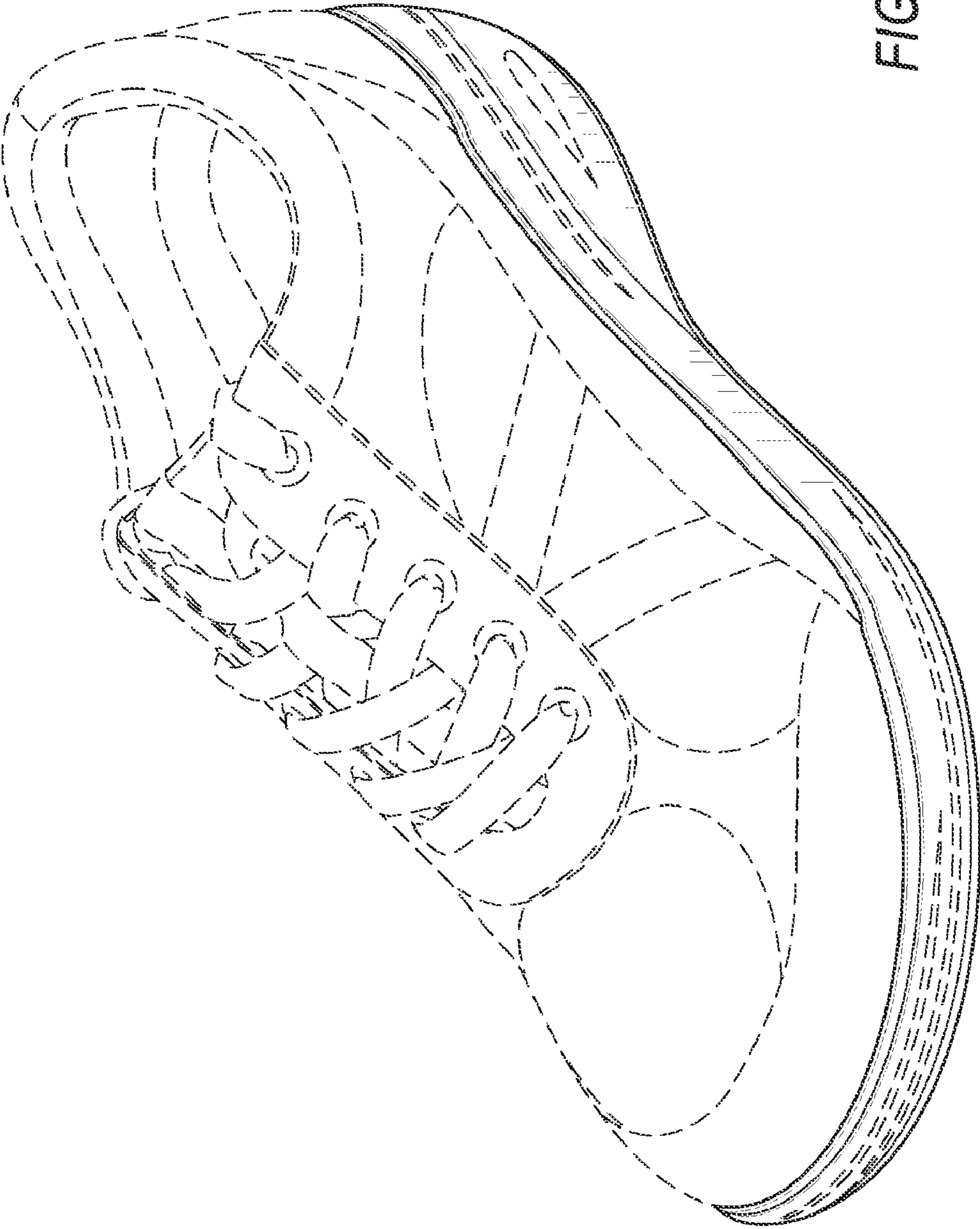


FIG. 1

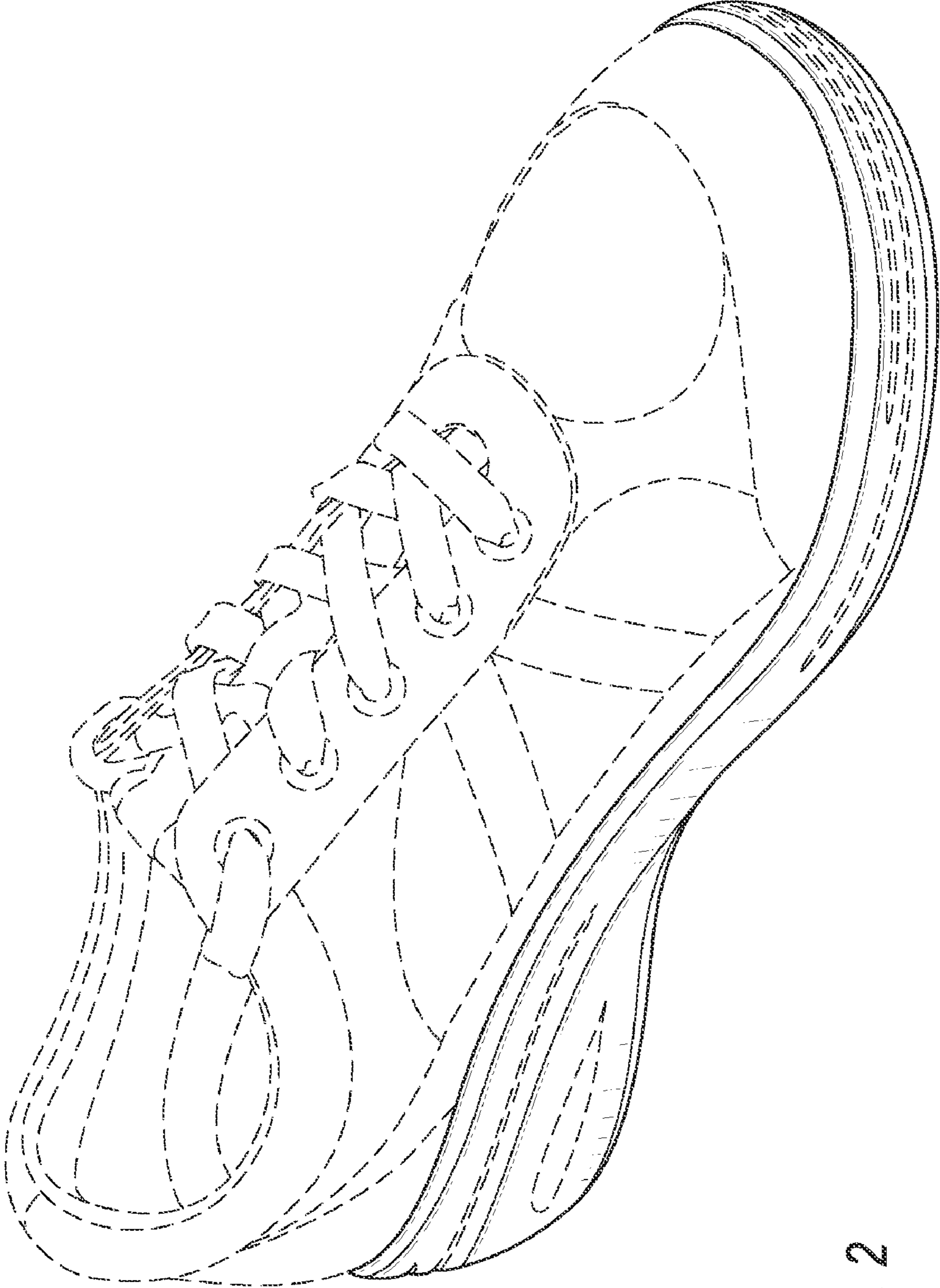


FIG. 2

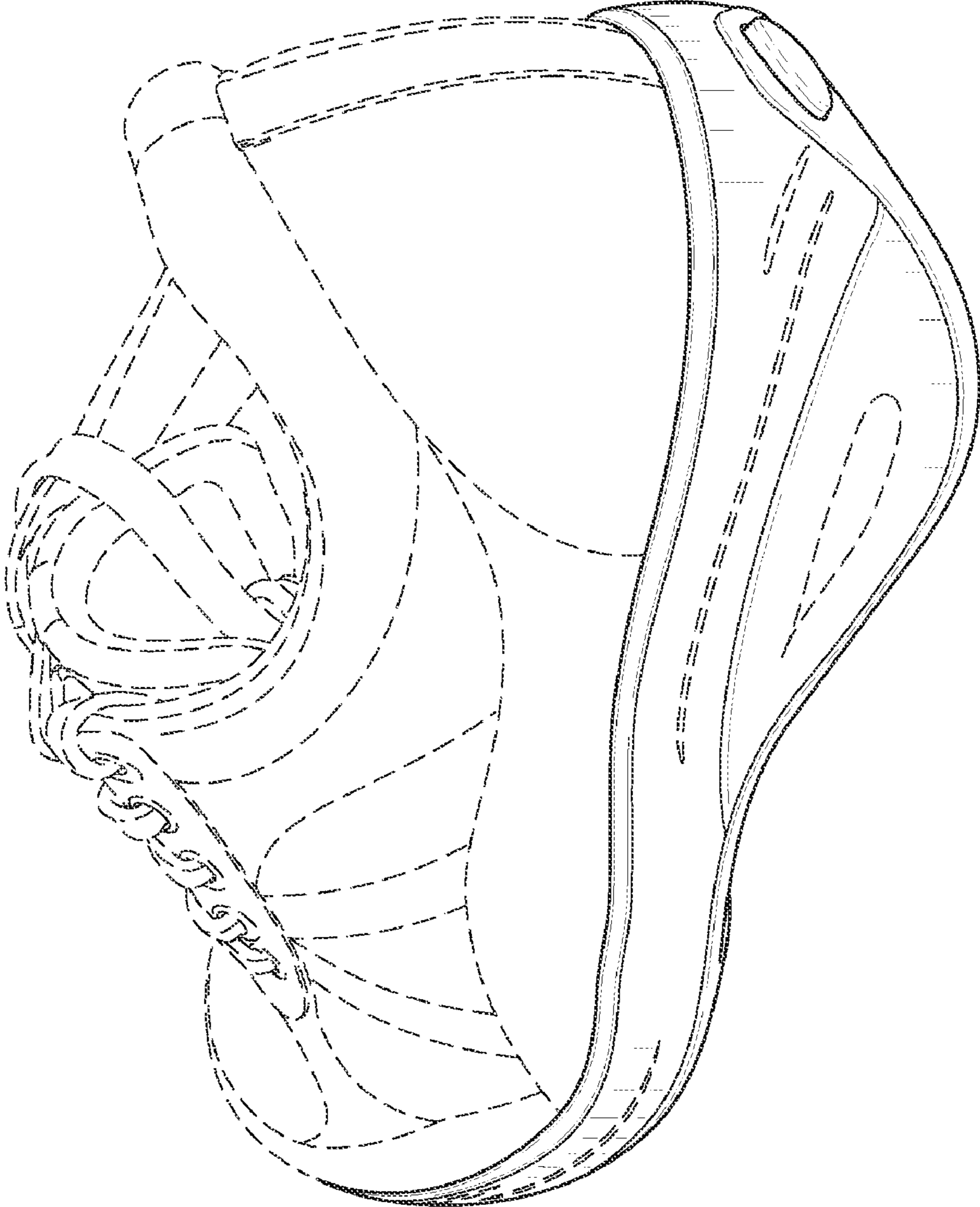


FIG. 3

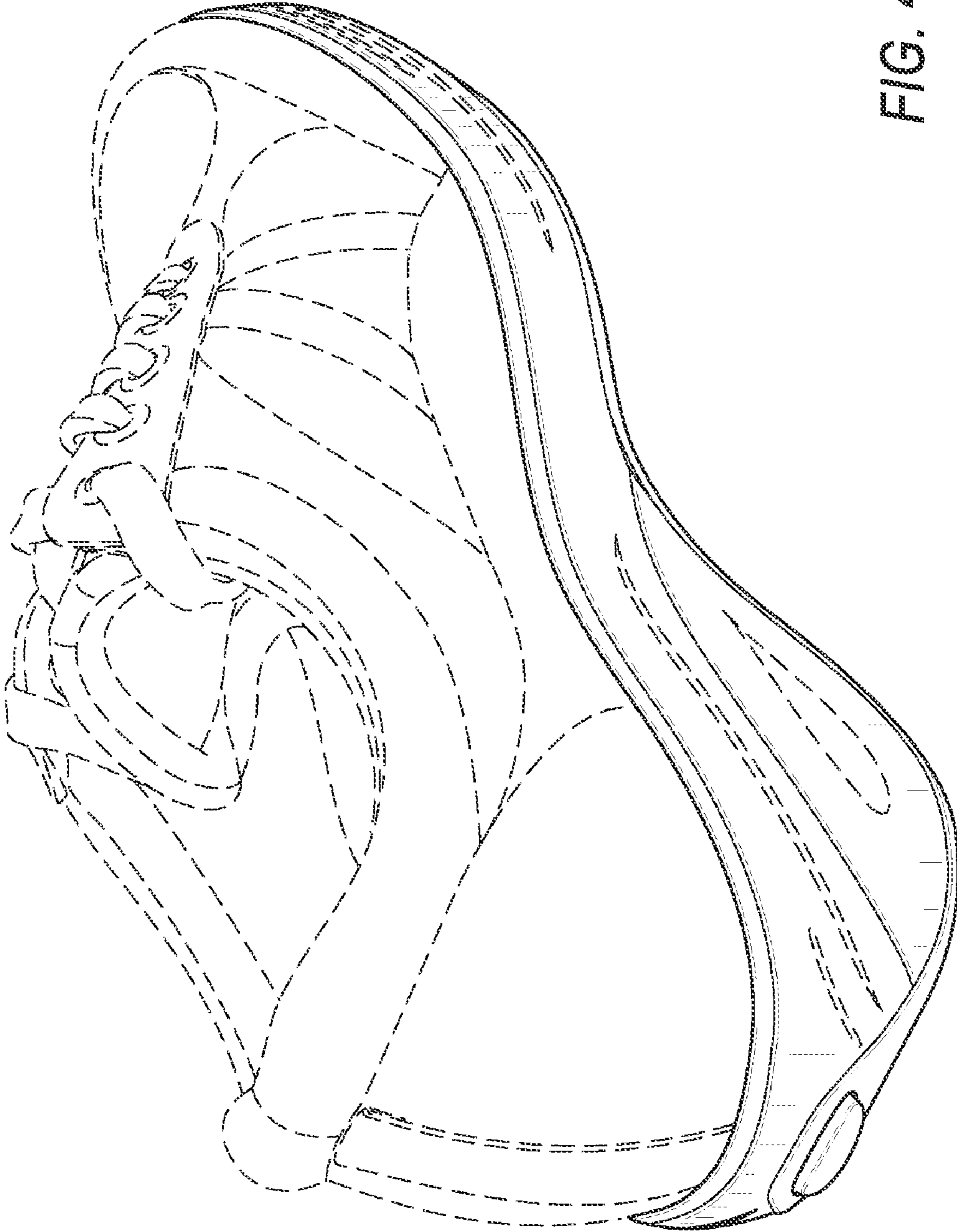


FIG. 4

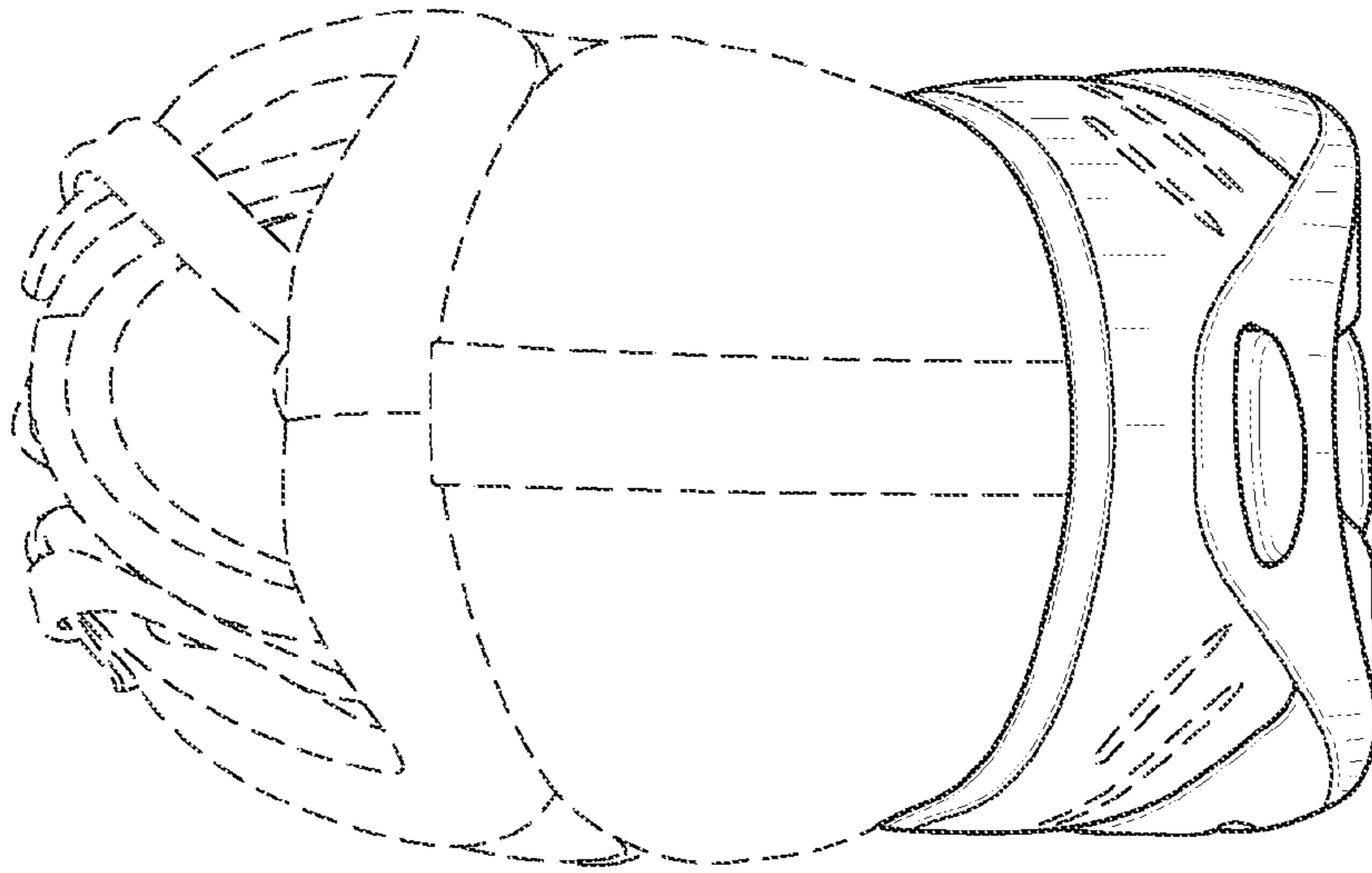


FIG. 6

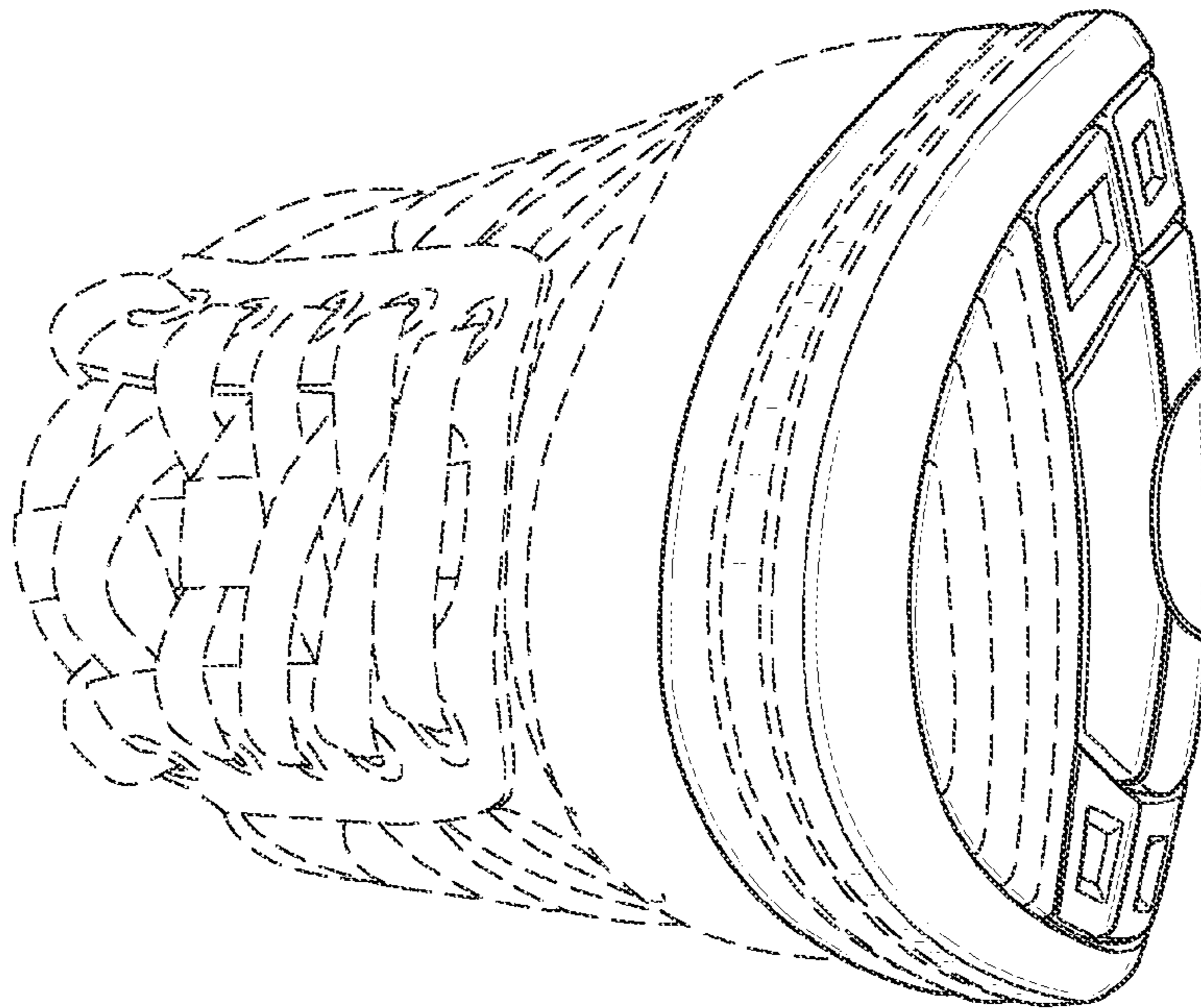


FIG. 5

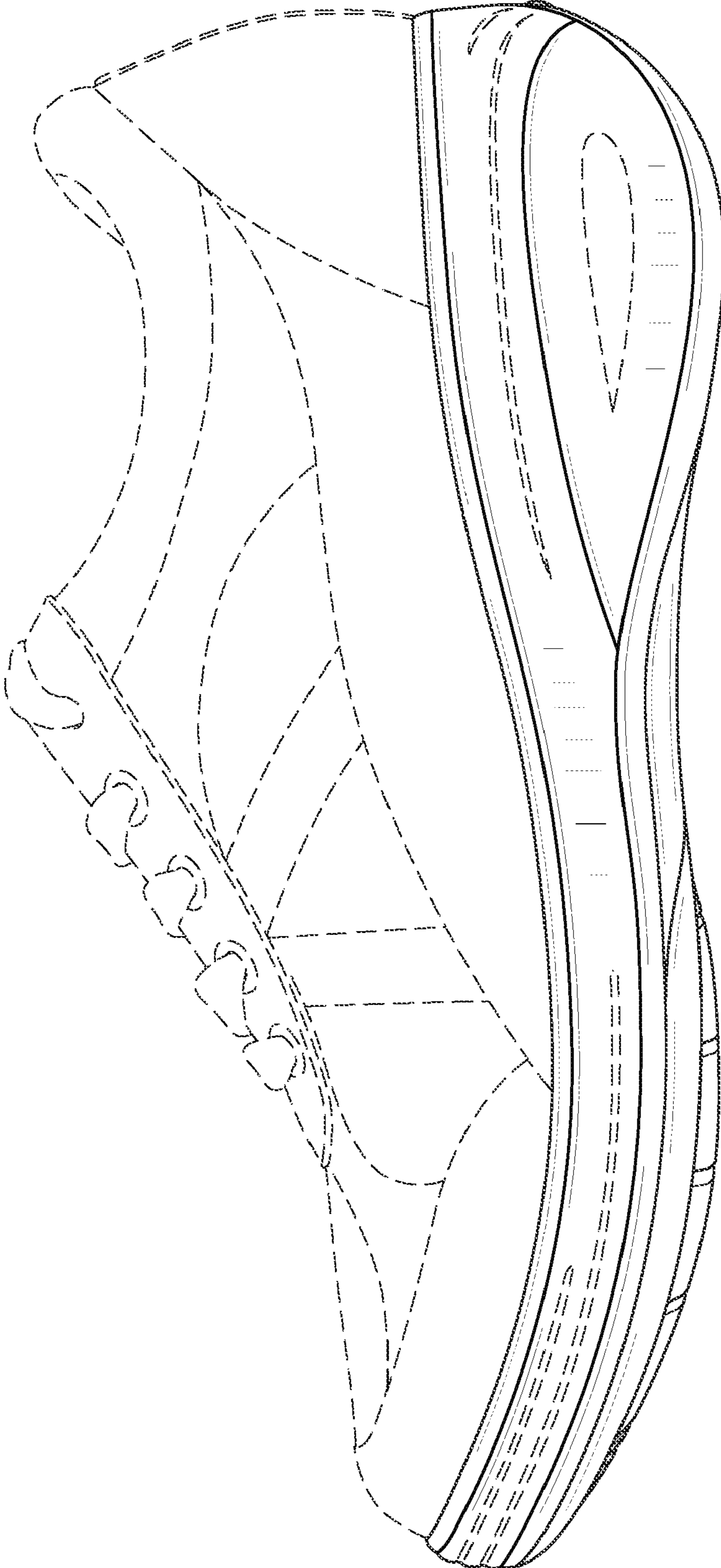


FIG. 7

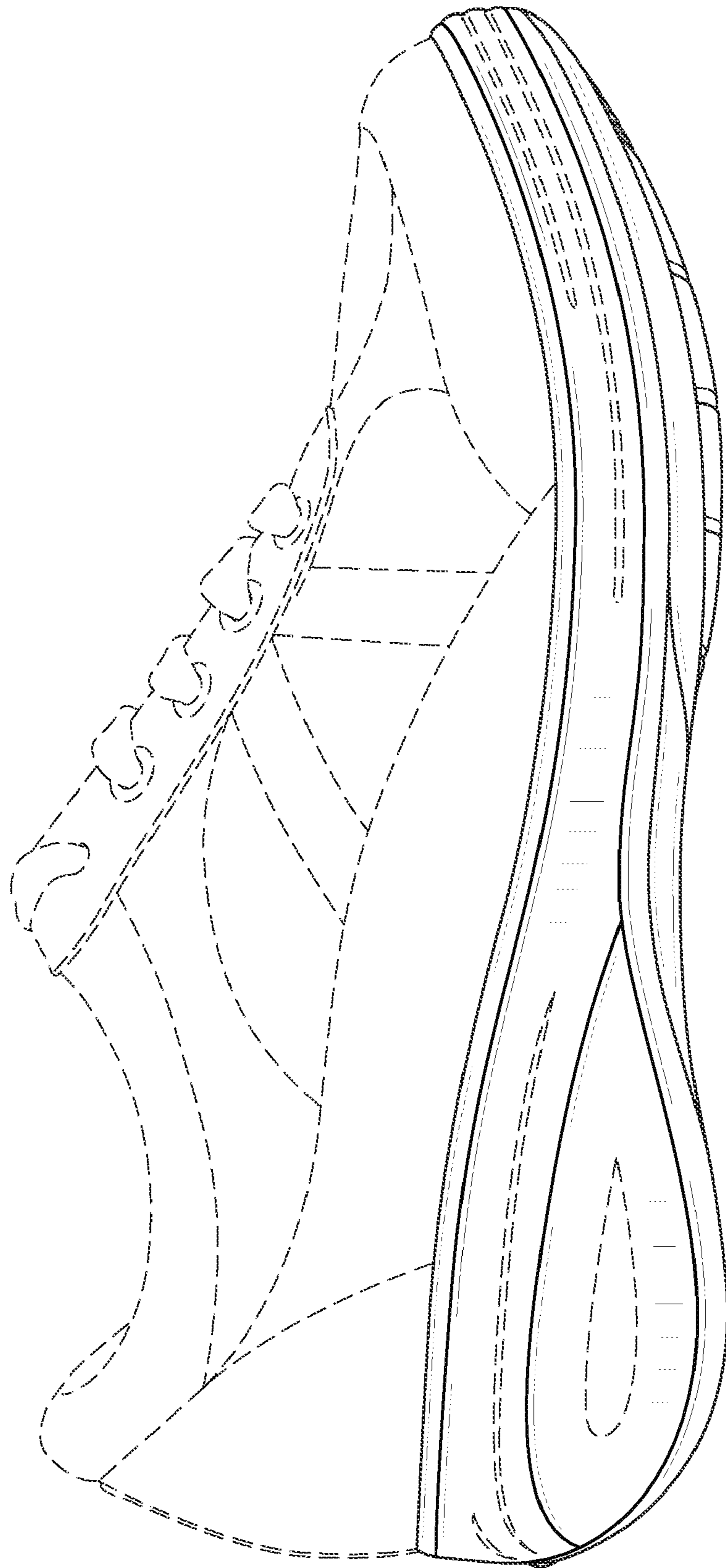


FIG. 8

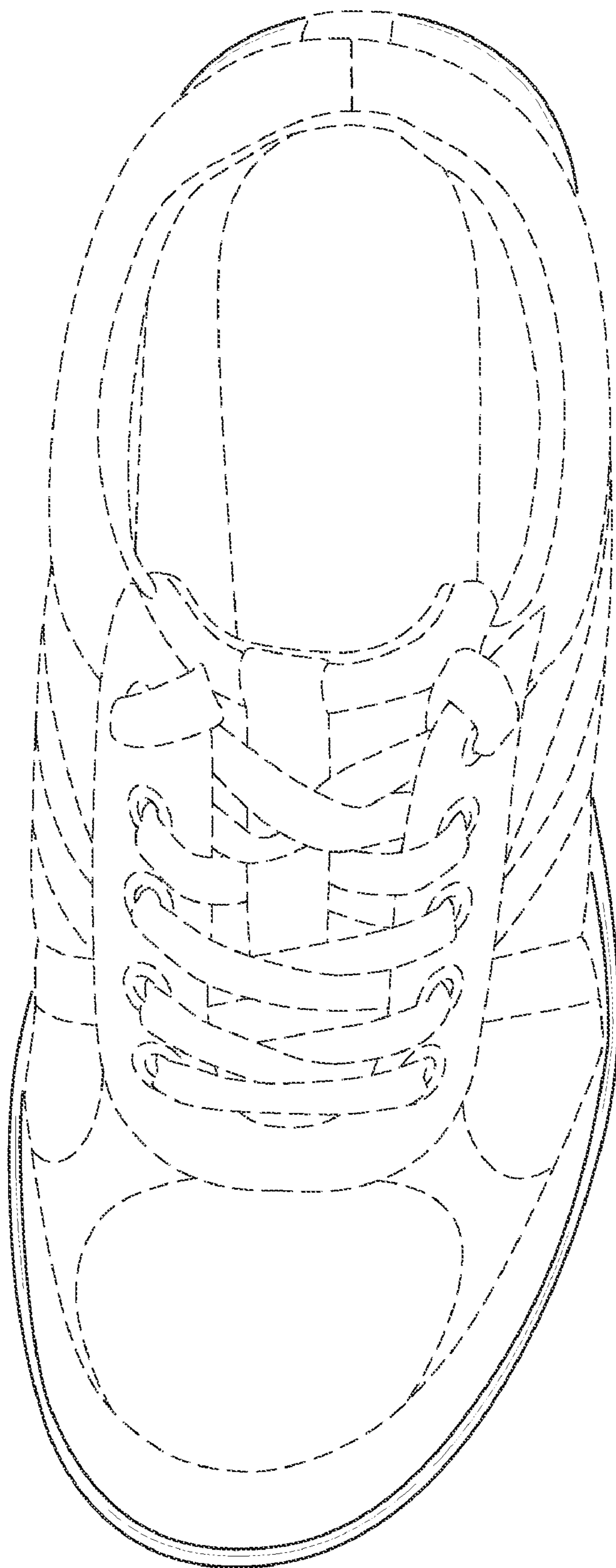


FIG. 9

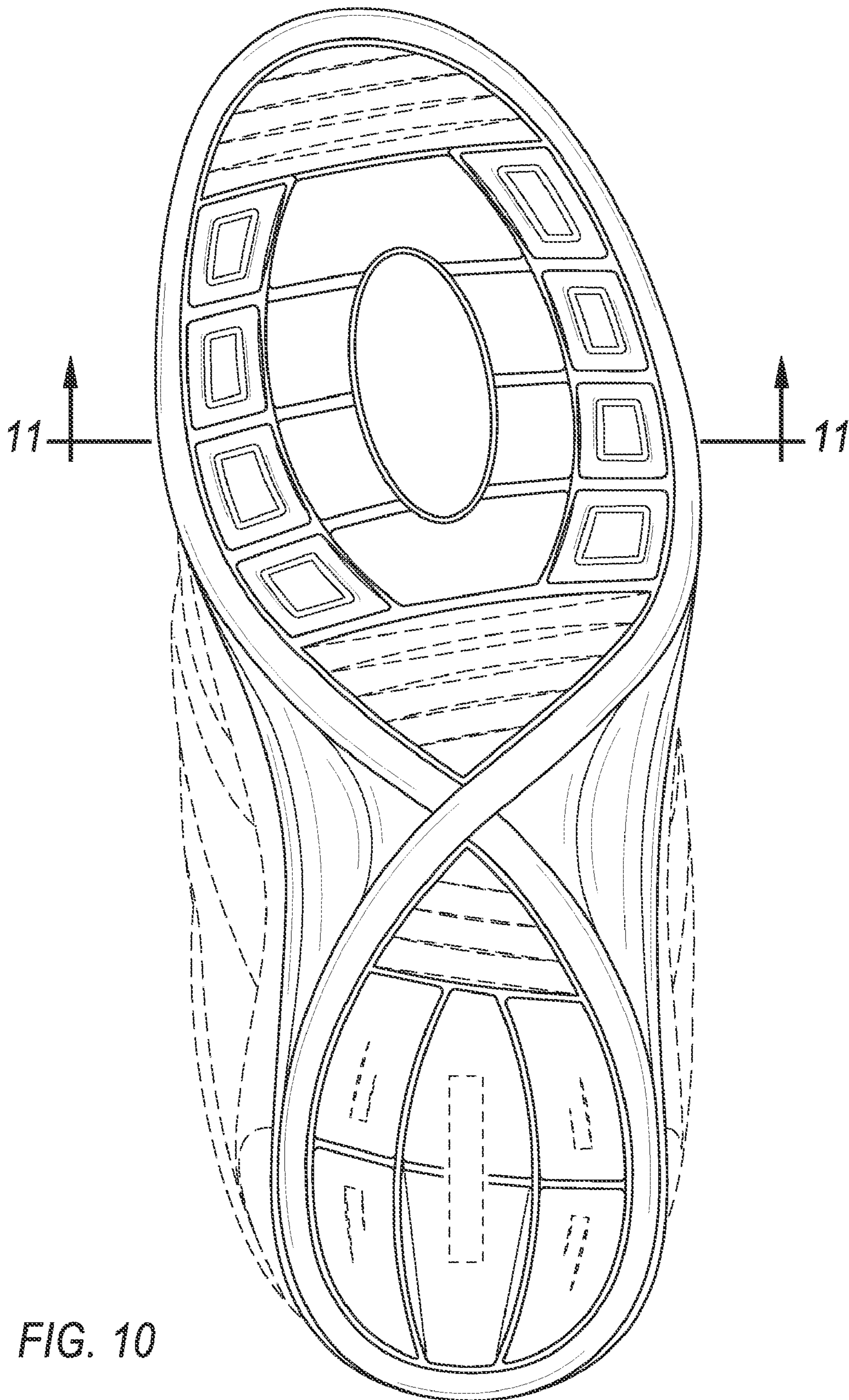


FIG. 10

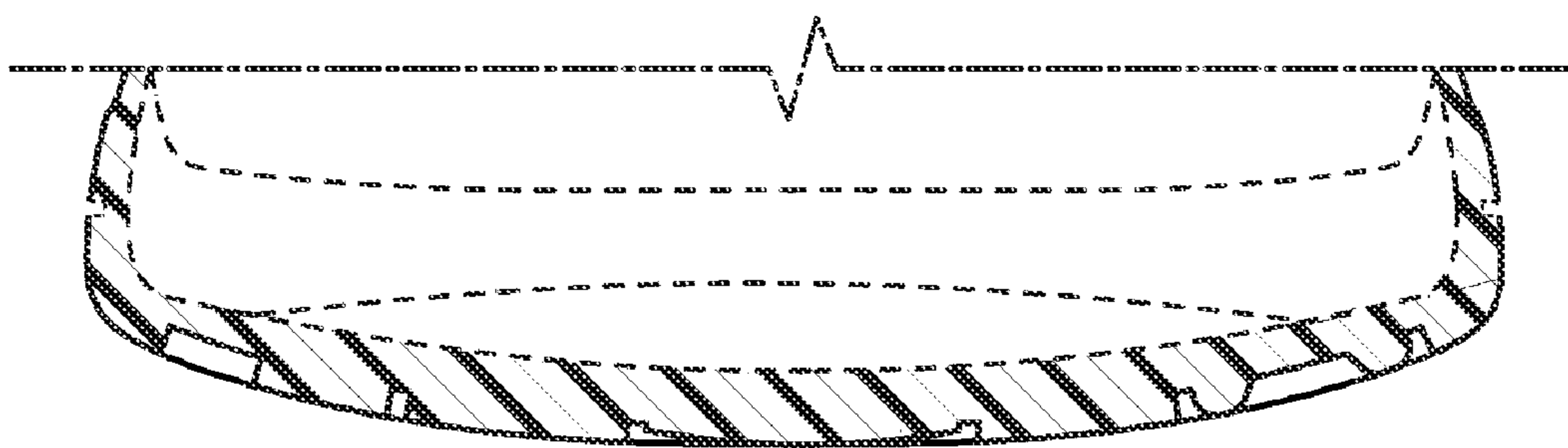


FIG. 11