



US00D636563S

(12) **United States Design Patent**  
**Keiser**

(10) **Patent No.:** **US D636,563 S**

(45) **Date of Patent:** **\*\* Apr. 26, 2011**

(54) **BILL FOR A CAP OR VISOR**

(76) Inventor: **Lee A. Keiser**, White Lake, MI (US)

(\*\*) Term: **14 Years**

(21) Appl. No.: **29/351,803**

(22) Filed: **Dec. 11, 2009**

(51) **LOC (9) Cl.** ..... **02-03**

(52) **U.S. Cl.** ..... **D2/893**

(58) **Field of Classification Search** ..... D2/865,  
D2/866, 870, 871, 892, 873, 874, 875, 876,  
D2/877, 878, 879, 880, 881, 882, 883, 884,  
D2/886, 891, 893; D29/109; 2/10, 171.1,  
2/171.2, 171.3, 171.4, 171.5, 171.6, 171.7,  
2/171.8, 173, 183, 184, 184.5, 175.1, 175.2,  
2/175.3, 175.4, 175.5, 175.6, 175.7, 175.8,  
2/175.9, 195.1, 195.2, 195.3, 195.4, 195.5,  
2/195.6, 195.7, 200.1, 200.2, 204, 209.11,  
2/209.12, 209.13, 209.14, 209.3, 209.4, 209.5,  
2/209.7, 172; 40/329

See application file for complete search history.

(56) **References Cited**

**U.S. PATENT DOCUMENTS**

690,345	A *	12/1901	Beehler	.....	2/204
D282,308	S *	1/1986	Kain	.....	D29/109
4,839,924	A *	6/1989	Laurence	.....	2/195.1
D302,608	S *	8/1989	LaPierre	.....	D29/109
5,070,545	A *	12/1991	Tapia	.....	40/329
5,477,629	A *	12/1995	Gleason, Jr.	.....	40/329
D396,945	S *	8/1998	Glass	.....	D2/893
5,884,334	A *	3/1999	Collette et al.	.....	2/195.1
5,901,371	A *	5/1999	Lee	.....	2/10
6,088,837	A *	7/2000	Baker	.....	2/195.1
6,199,213	B1 *	3/2001	Whang	.....	2/181
6,560,785	B1 *	5/2003	Taguchi	.....	2/171.1
D488,293	S *	4/2004	Norway, Jr.	.....	D2/882
D491,714	S *	6/2004	Upcott	.....	D2/875
D493,026	S *	7/2004	Park	.....	D2/894
6,895,601	B2 *	5/2005	Park	.....	2/181

D530,487	S *	10/2006	Alvarez-Calderon	.....	D2/882
D592,834	S *	5/2009	Keiser	.....	D2/884
D623,384	S *	9/2010	Balconi	.....	D2/876
2003/0221234	A1 *	12/2003	Wang	.....	2/12
2004/0123376	A1 *	7/2004	Wang	.....	2/171.1
2006/0168708	A1 *	8/2006	Moshier	.....	2/175.6

**FOREIGN PATENT DOCUMENTS**

GB 2083257 \* 5/1999

\* cited by examiner

*Primary Examiner* — Elizabeth A Albert

*Assistant Examiner* — Karen E Eldridge Powers

(74) *Attorney, Agent, or Firm* — John R. Benefiel

(57) **CLAIM**

The ornamental design for a bill for a cap or visor, as shown and described.

**DESCRIPTION**

FIG. 1 is a perspective view of a bill for a cap or visor according to the present invention.

FIG. 2 is a side elevation view of the present invention as shown in FIG. 1.

FIG. 3 is a front elevation view of the present invention as shown in FIGS. 1 and 2.

FIG. 4 is a rear elevation view of the present invention as shown in FIGS. 1-3.

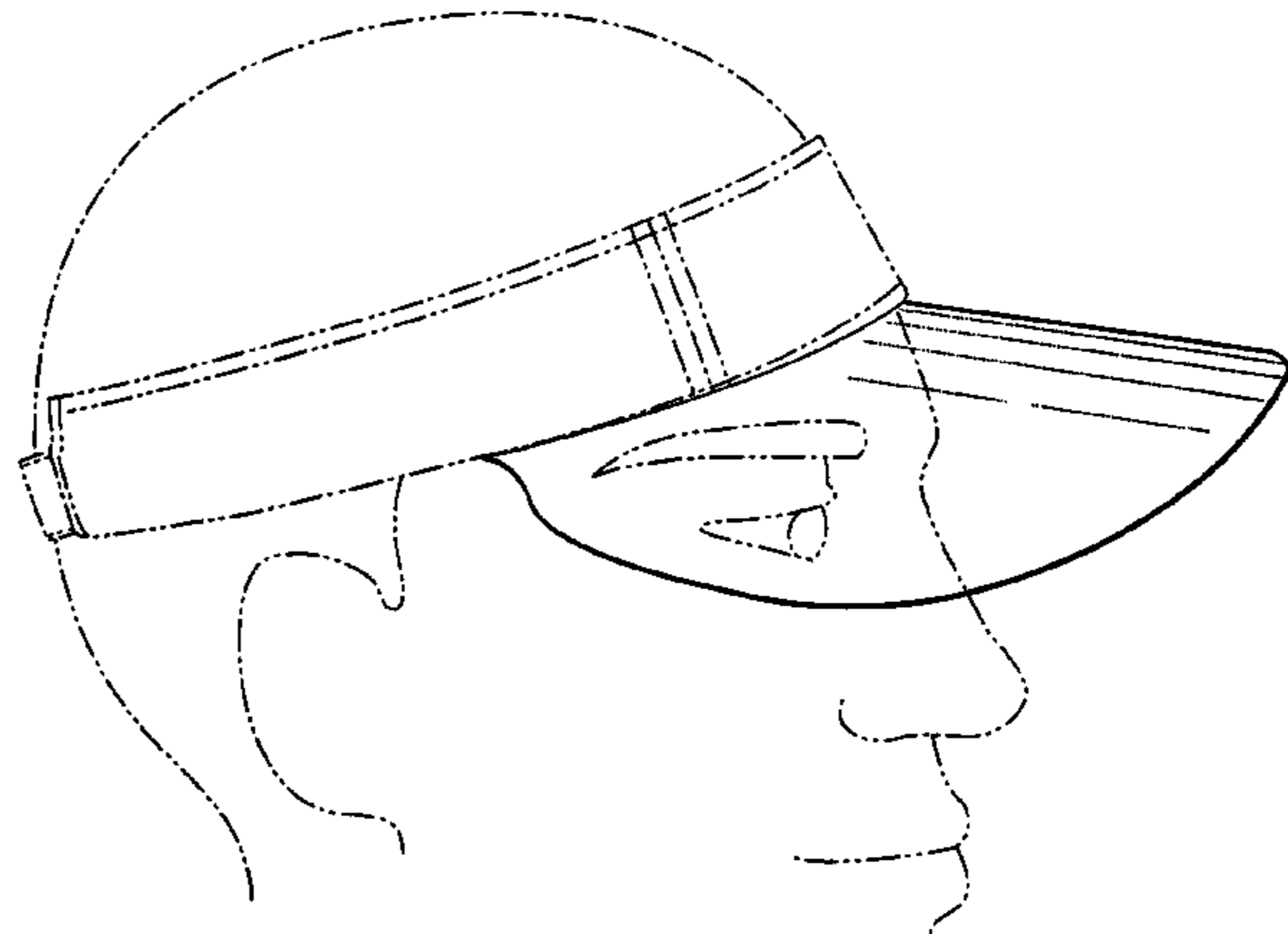
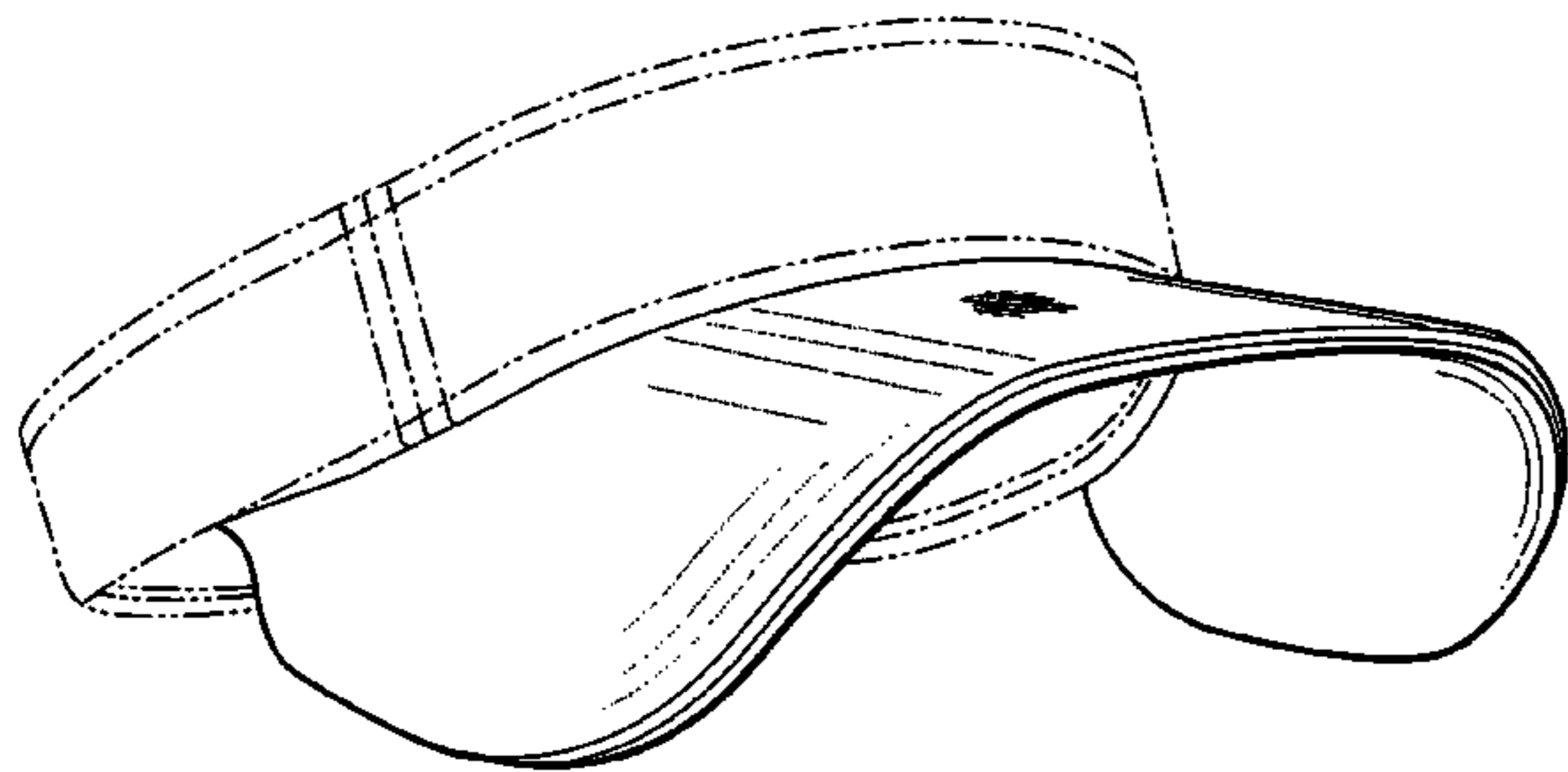
FIG. 5 is a top plan view of the present invention as shown in FIGS. 1-4; and,

FIG. 6 is a bottom plan view of the present invention as shown in FIGS. 1-5.

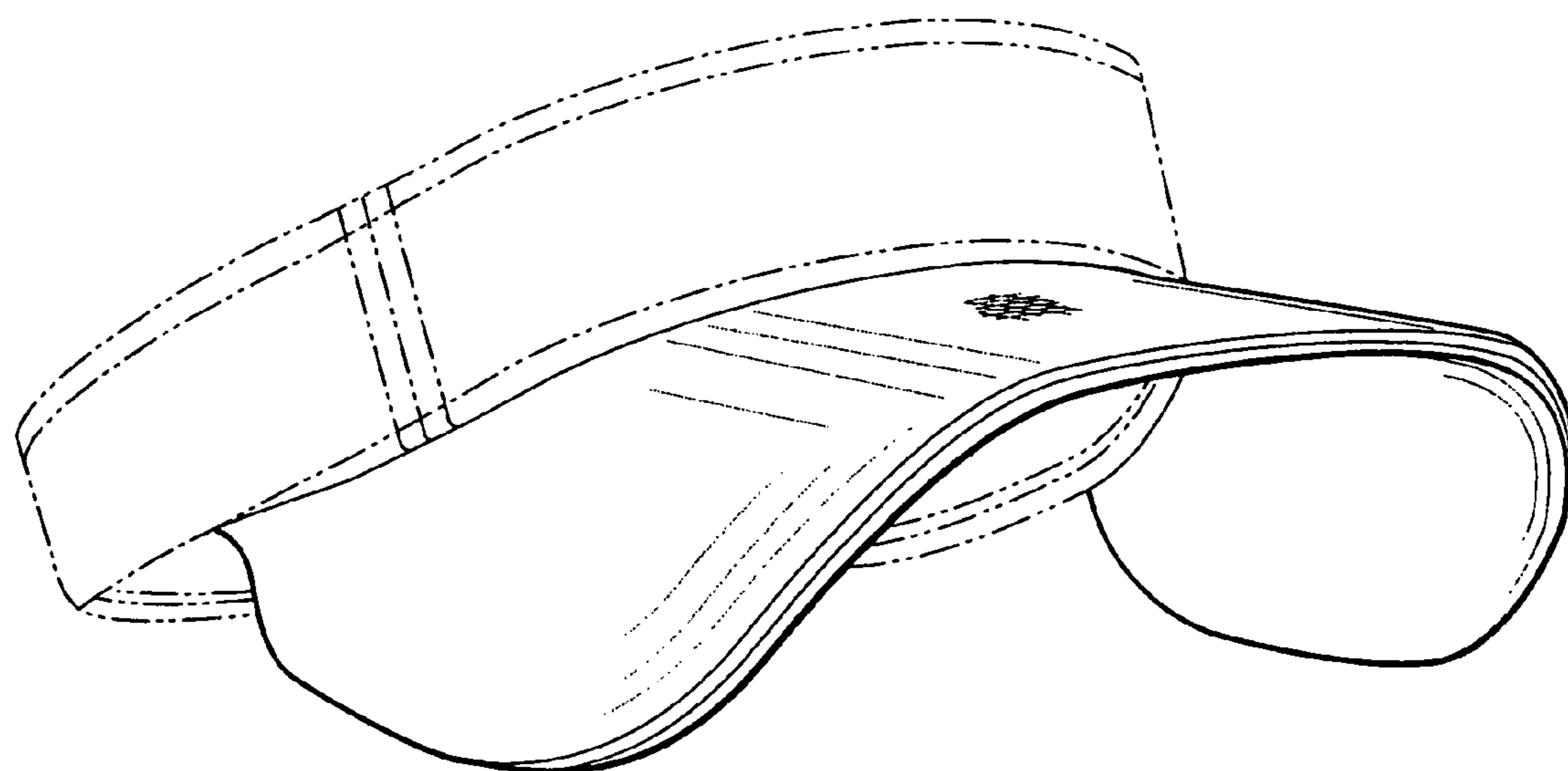
The crosshatched pattern, although shown intermittently, is meant to represent fabric, and is understood to be distributed uniformly over the surfaces of the claimed design.

The wearer's head depicted in long-short-short broken lines in FIG. 2 and the visor depicted in FIGS. 1-6 in long-short-short broken lines are environmental matter, and form no part of the claimed design.

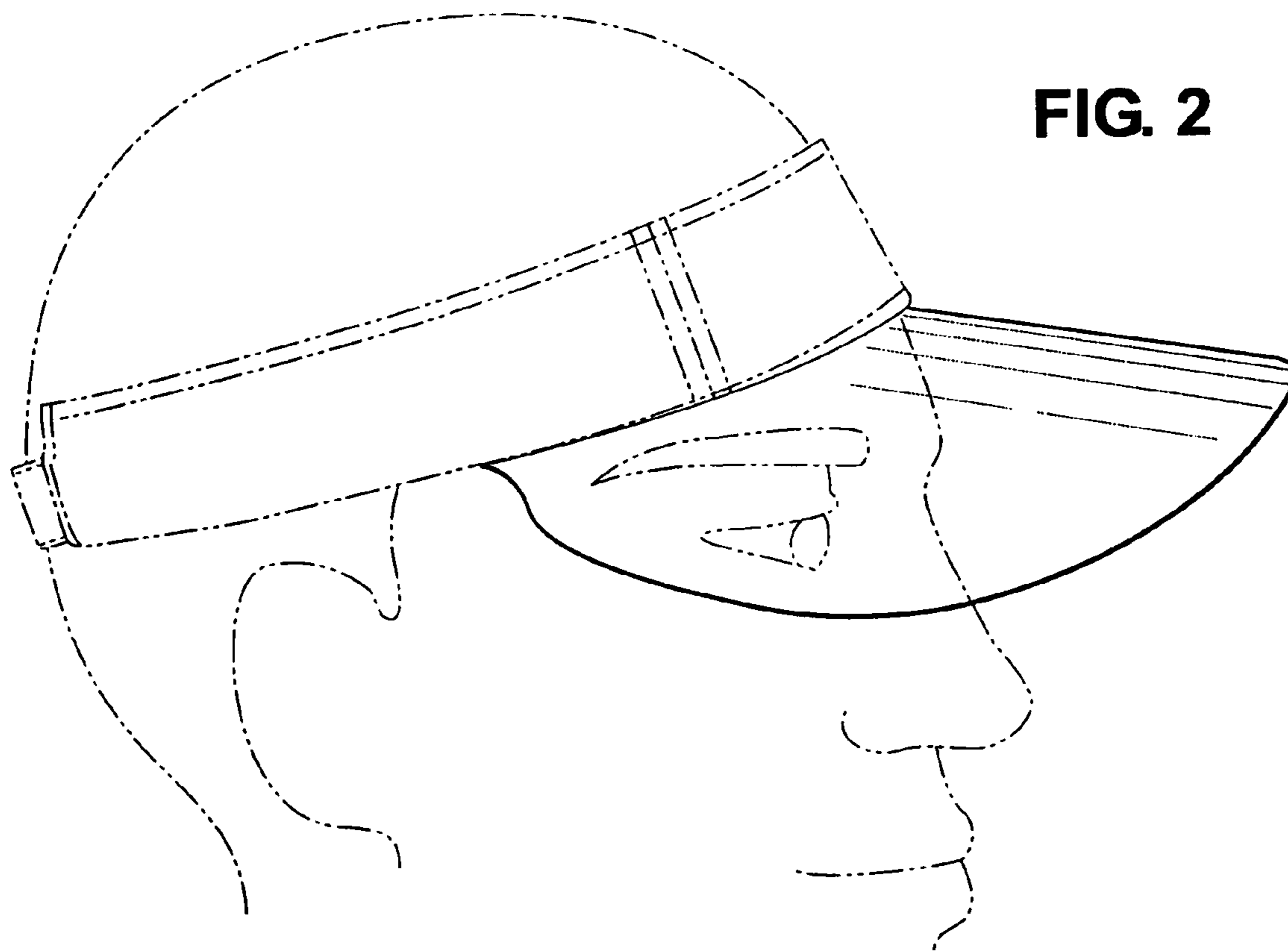
**1 Claim, 3 Drawing Sheets**



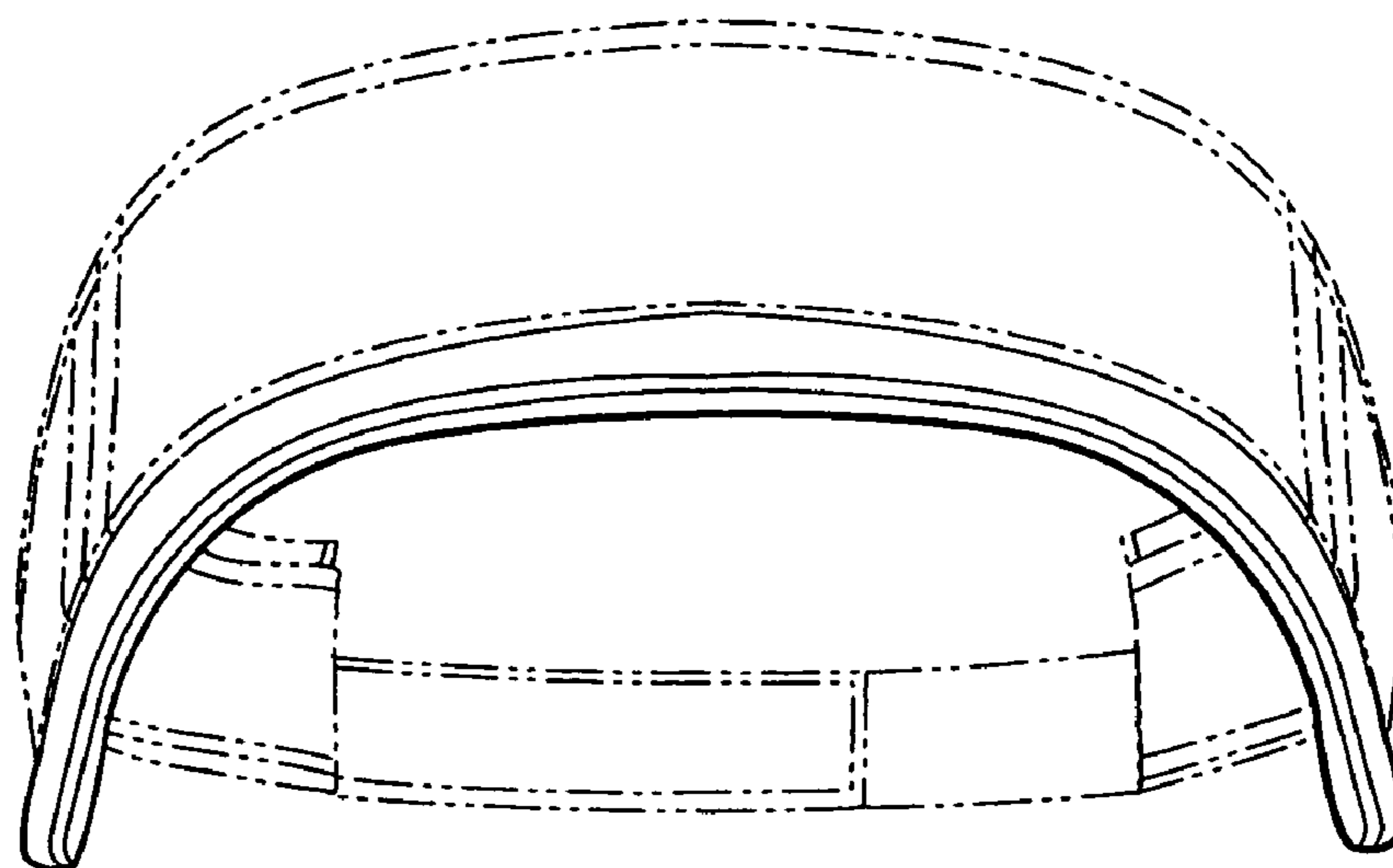
**FIG. 1**



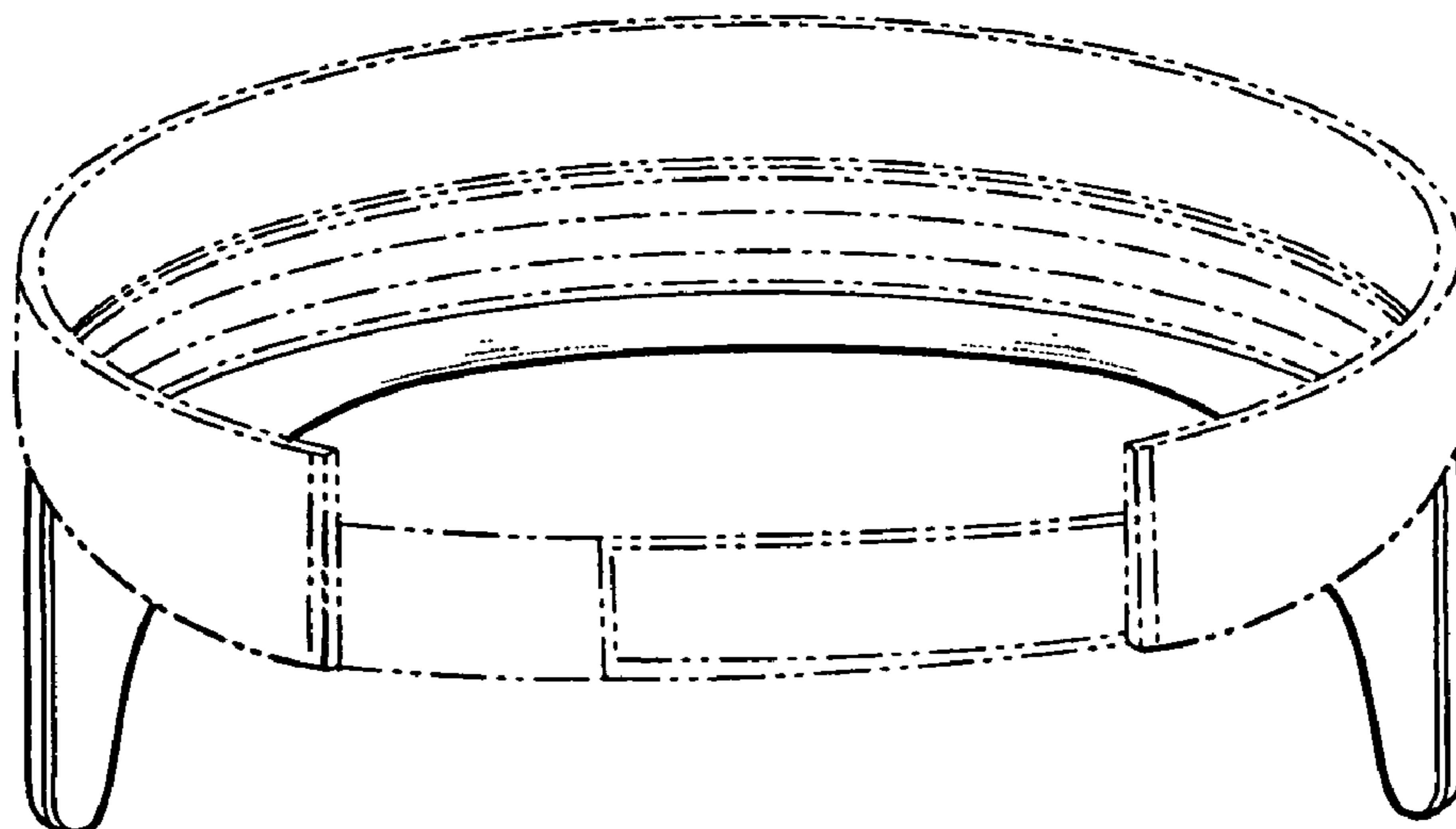
**FIG. 2**



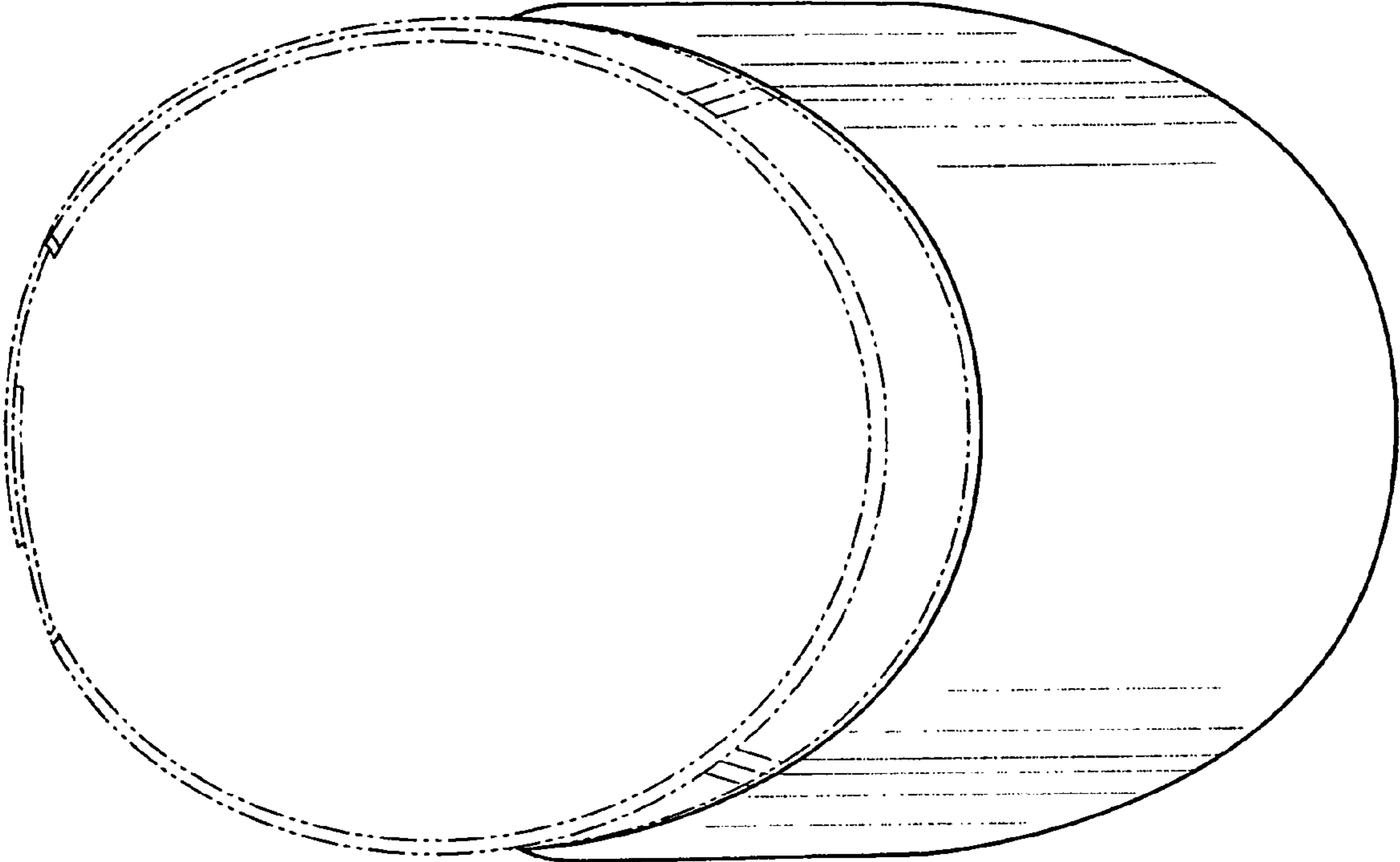
**FIG. 3**



**FIG. 4**



**FIG. 5**



**FIG. 6**

