



US00D636560S

(12) **United States Design Patent**  
**Kelly et al.**

(10) **Patent No.:** **US D636,560 S**  
(45) **Date of Patent:** **\*\* Apr. 26, 2011**

(54) **HEADWEAR WITH SPIKES**

D533,312 S \* 12/2006 Bouchez ..... D29/102  
(Continued)

(75) Inventors: **Christopher Kelly**, Sellersburg, IN  
(US); **Christian Roos**, Quito (EC); **Lori Forest**,  
Jefferson, IN (US); **Joshua Christopher Kelly**,  
Sellersburg, IN (US)

(73) Assignee: **Light Up Toys.com LLC**, Sellersburg,  
IN (US)

(\*\*) Term: **14 Years**

(21) Appl. No.: **29/365,238**

(22) Filed: **Jul. 6, 2010**

(51) **LOC (9) Cl.** ..... **02-03**

(52) **U.S. Cl.** ..... **D2/874**

(58) **Field of Classification Search** ..... D2/865,  
D2/866, 869, 871, 874, 875, 877, 881, 891,  
D2/895, 894; D11/124; D26/38, 39; D28/41;  
D29/102, 122; 2/171, 171.03, 173.5, 174,  
2/181, 181.2, 182.1, 200.1, 209.13, 209.3;  
132/273, 275; 273/DIG. 17; 362/106; 428/8  
See application file for complete search history.

(56) **References Cited**

**U.S. PATENT DOCUMENTS**

1,734,954	A *	11/1929	Arvidson	428/8
2,056,276	A *	10/1936	Katz	2/173.5
2,650,874	A *	9/1953	Woolven	428/8
2,794,284	A *	6/1957	Burnbaum	428/8
2,971,082	A *	2/1961	Frank	362/106
D266,712	S *	11/1982	Van Valkenburgh	D2/877
D375,612	S *	11/1996	Elder	D2/894
5,697,386	A *	12/1997	Chang	132/273
5,787,507	A *	8/1998	Sullivan	2/182.1
D403,841	S *	1/1999	Drone	D2/894
5,903,926	A *	5/1999	Fleming	2/209.13
6,047,709	A *	4/2000	Tu	132/275
D440,742	S *	4/2001	Mitchell	D2/869
D442,746	S *	5/2001	Belcher	D29/122
6,289,903	B1 *	9/2001	Haufler	132/275
6,502,586	B2 *	1/2003	Tsai	132/275
6,647,991	B2 *	11/2003	Silva	132/273
D500,580	S *	1/2005	Rothschild	D2/866

**OTHER PUBLICATIONS**

Picture in article showing Mahmoud Ahmadinejad wearing foam Statue of Liberty headpiece, [on-line]; article, "Mahmoud Ahmadinejad Declares American Empire Nearing Its End, Learning to Play Violin," posted on Sep. 23, 2008; retrieved from the Internet on Jan. 13, 2011; URL: <http://scrapetv.com>. (2 pages).\*

Picture in article showing headpiece of the Statue of Liberty, [on-line]; article, "Statue of Liberty's crown to stay closed," posted Aug. 10, 2008, retrieved from the Internet on Jan. 13, 2011; URL: <http://www.usatoday.com/news/nation/2006-08-09-statue-liberty-crown\_x.htm>. (2 pages).\*

*Primary Examiner* — Karen E. Eldridge Powers

(74) *Attorney, Agent, or Firm* — QuickPatents, Inc.; Kevin Prince

(57) **CLAIM**

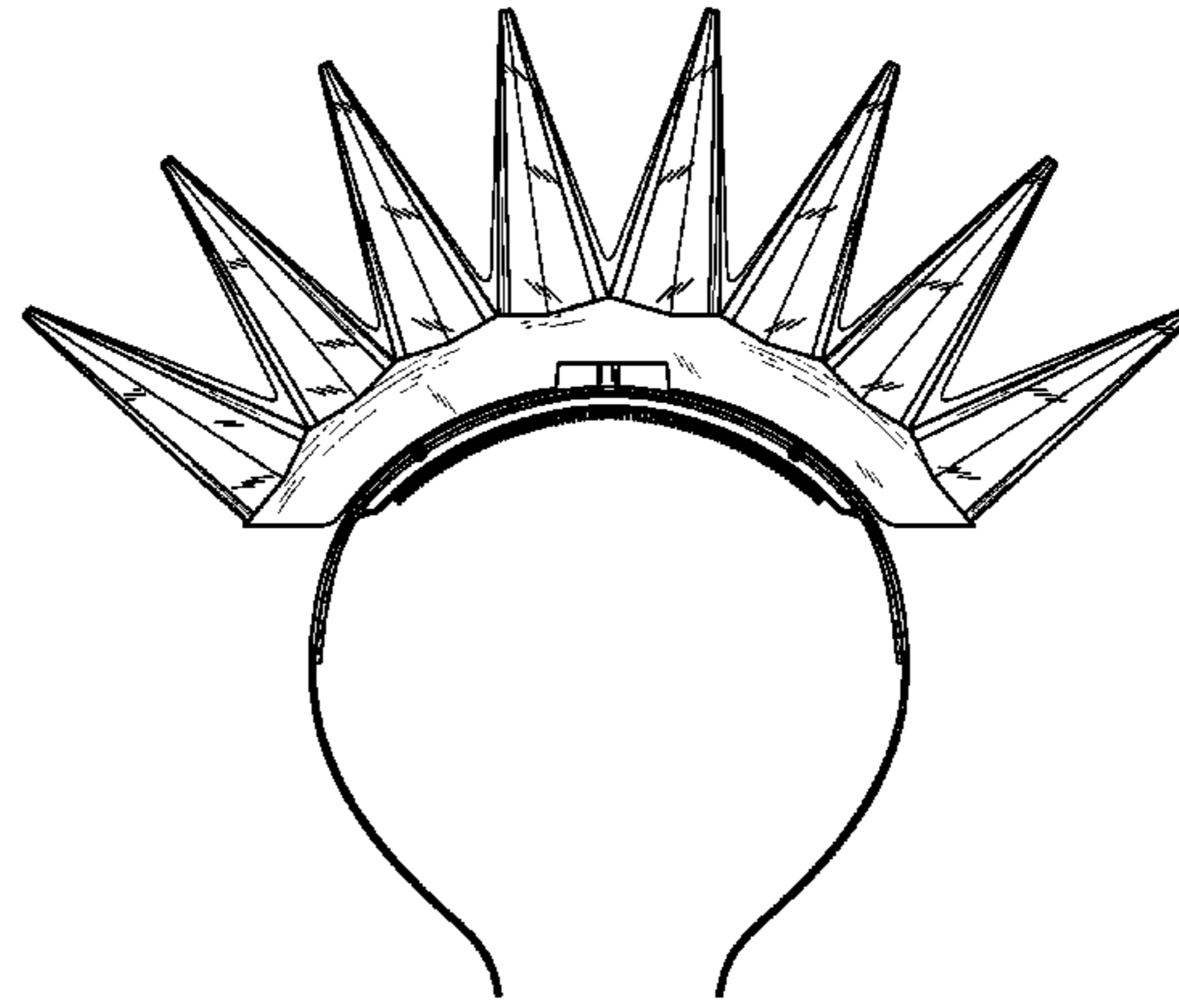
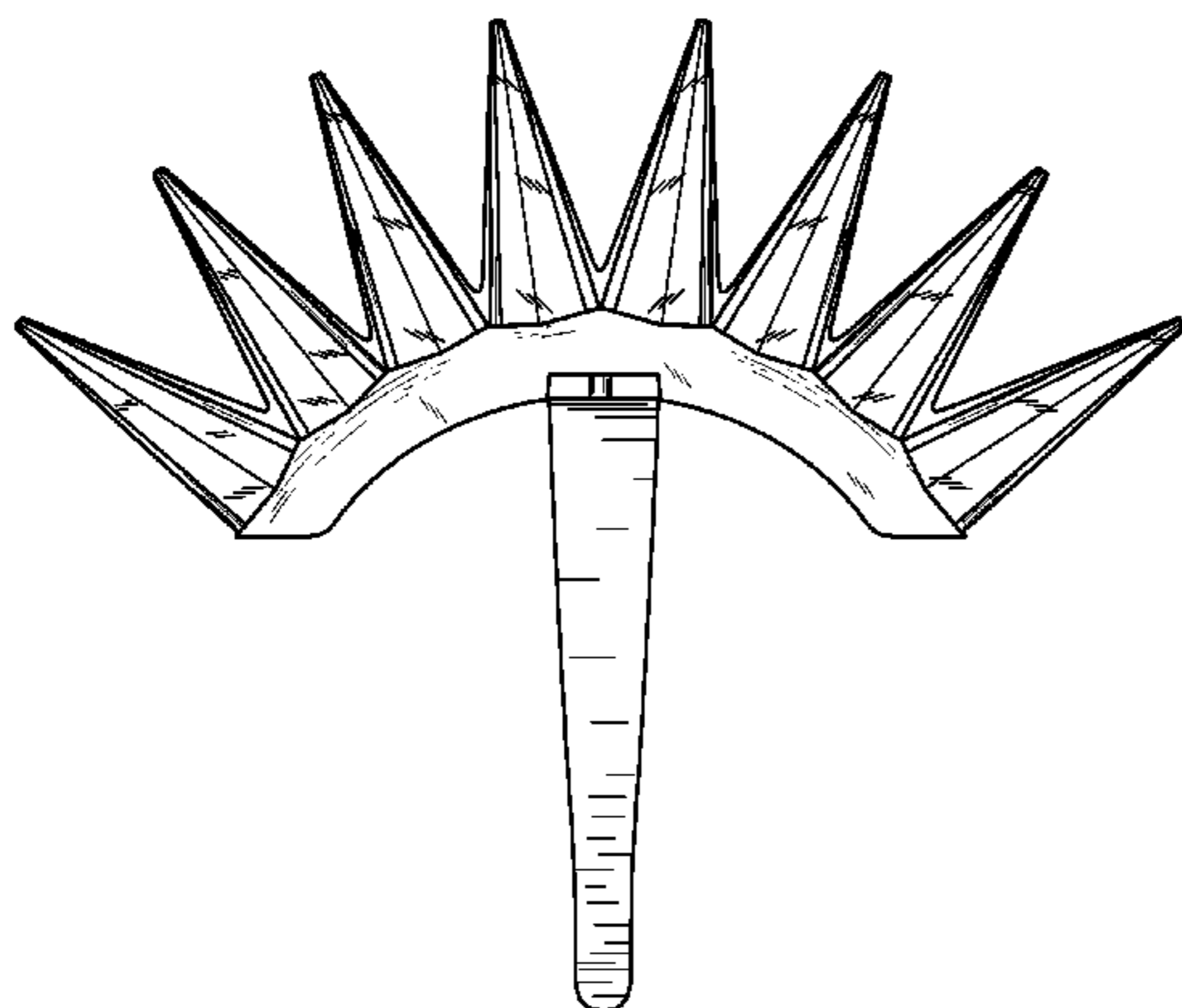
What is claimed is the ornamental design for a headwear with spikes, as shown and described.

**DESCRIPTION**

FIG. 1 is a perspective view of a headwear with spikes, showing the new design in a deployed configuration; FIG. 2 is a front elevational view thereof, the rear elevational view being a mirror image thereof; FIG. 3 is a left-side elevational view thereof, the right-side elevational view being a mirror image thereof; FIG. 4 is a top plan view thereof; FIG. 5 is a bottom plan view thereof; FIG. 6 is a perspective view thereof, illustrated in a collapsed configuration; FIG. 7 is a left-side elevational view thereof, the right-side elevational view being a mirror image thereof; FIG. 8 is a front elevational view thereof, the rear elevational view being a mirror image thereof; FIG. 9 is a top plan view thereof; and, FIG. 10 is a bottom plan view thereof.

The broken lines showing a person in FIG. 1 are included for the purpose of illustrating the invention in use, and form no part of the claimed design.

**1 Claim, 6 Drawing Sheets**



# US D636,560 S

Page 2

---

## U.S. PATENT DOCUMENTS

D537,984 S *	3/2007	Studle et al. ....	D28/41	D611,200 S *	3/2010	Packard .....	D29/122
D602,680 S *	10/2009	Lopez .....	D2/891	2009/0145454 A1 *	6/2009	Saponaro et al. ....	132/273
D603,584 S *	11/2009	Porter .....	D2/865	2010/0180910 A1 *	7/2010	Hsu .....	132/273

\* cited by examiner

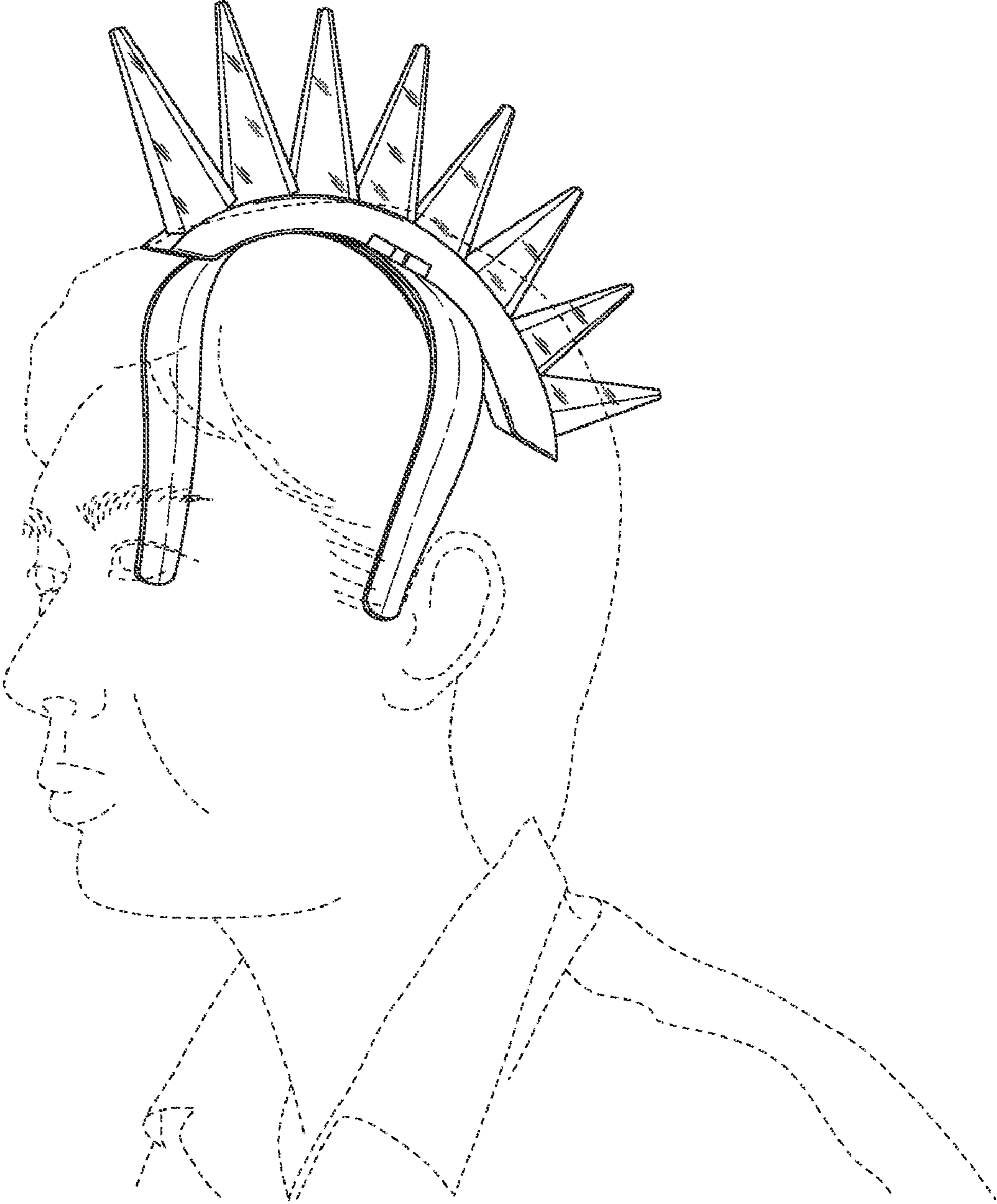


FIG.1

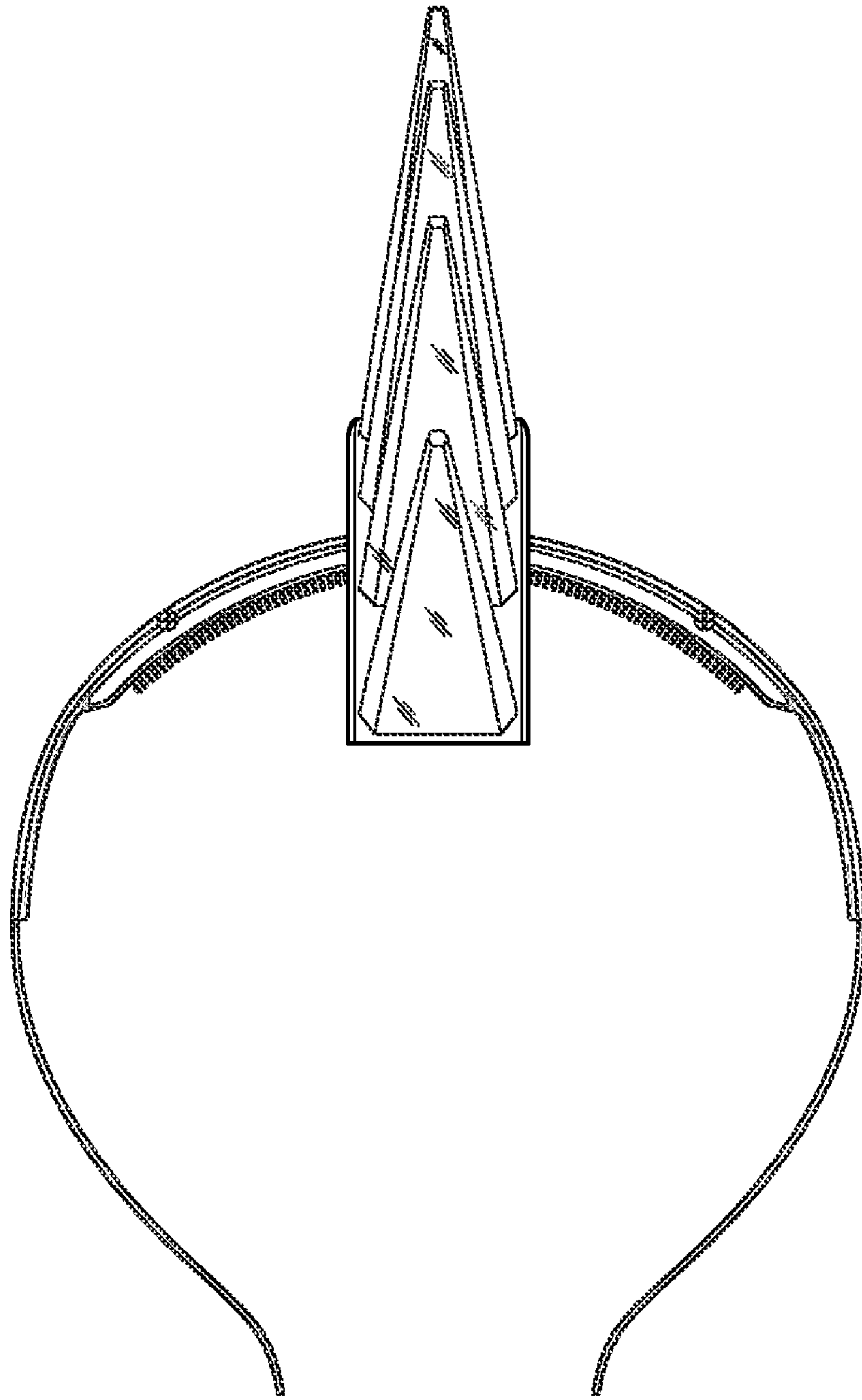


FIG.2



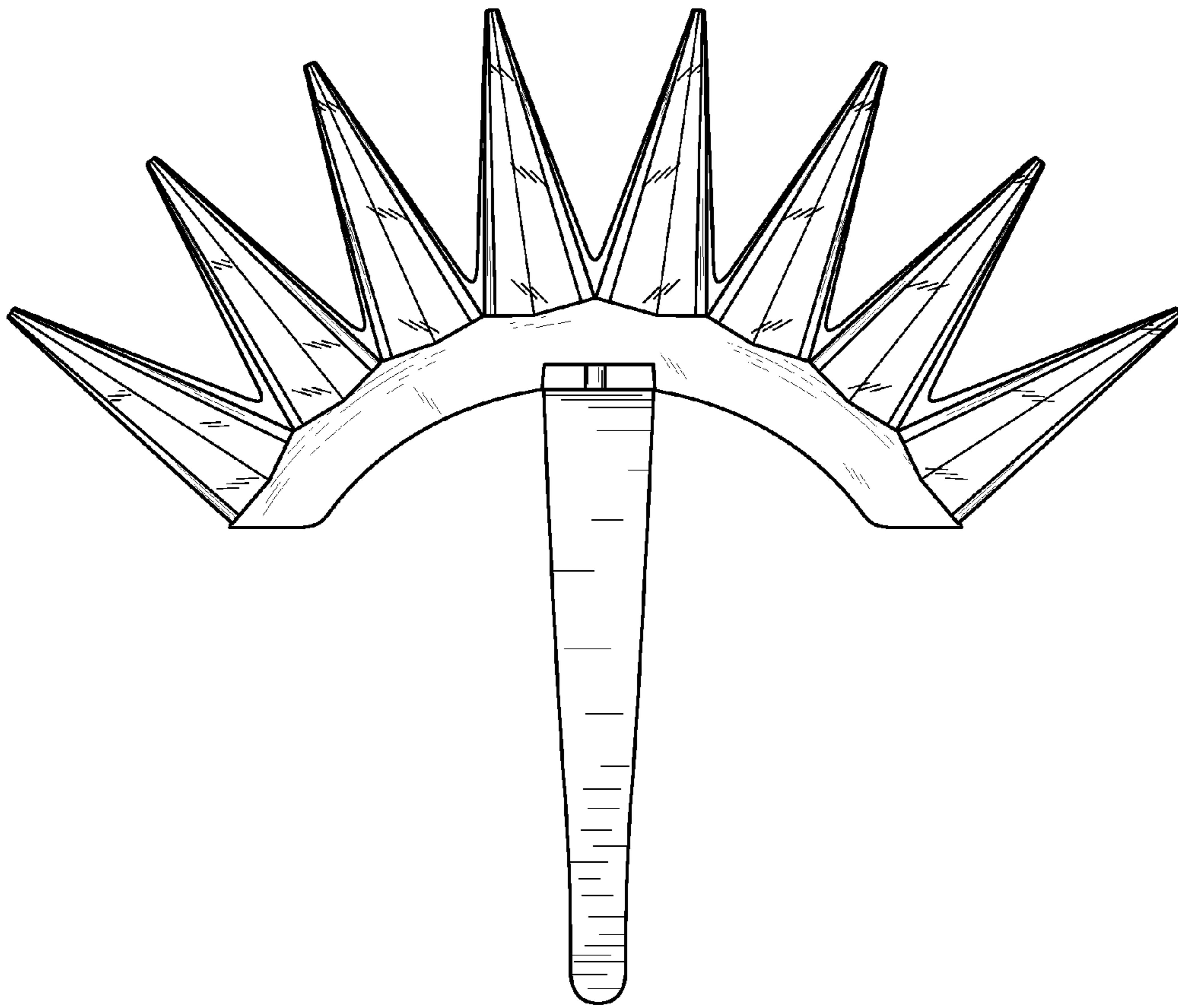


FIG.3

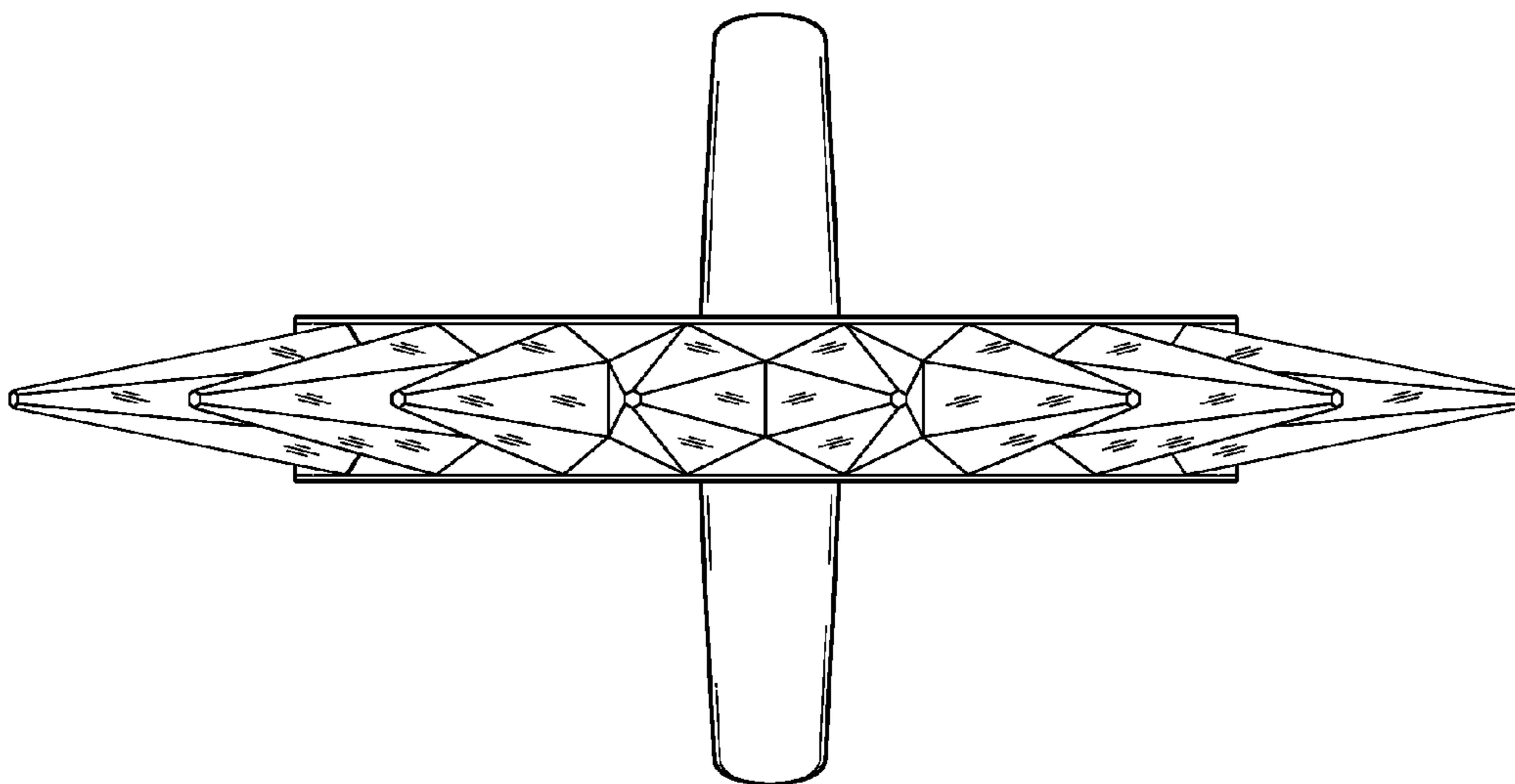


FIG.4

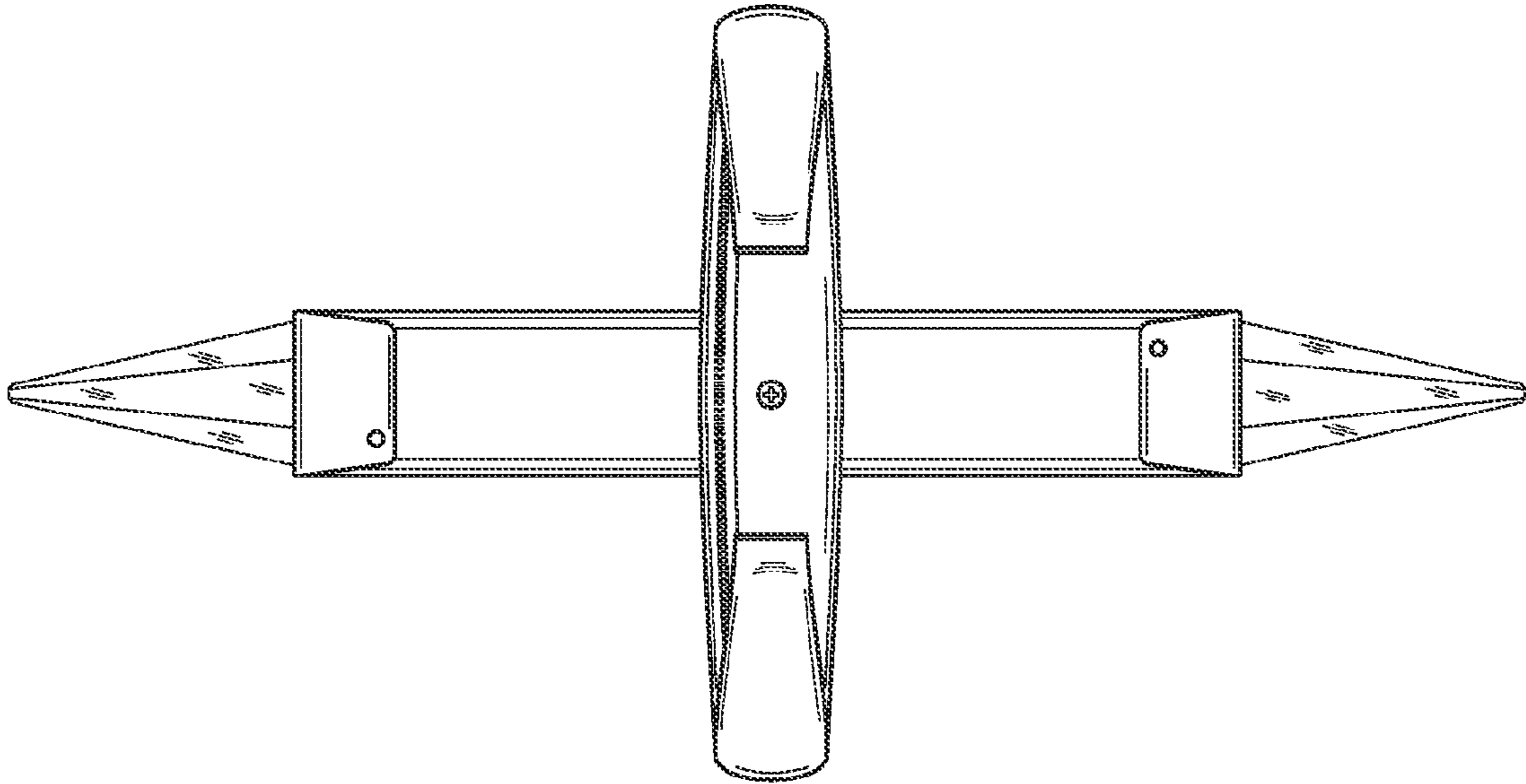


FIG. 5

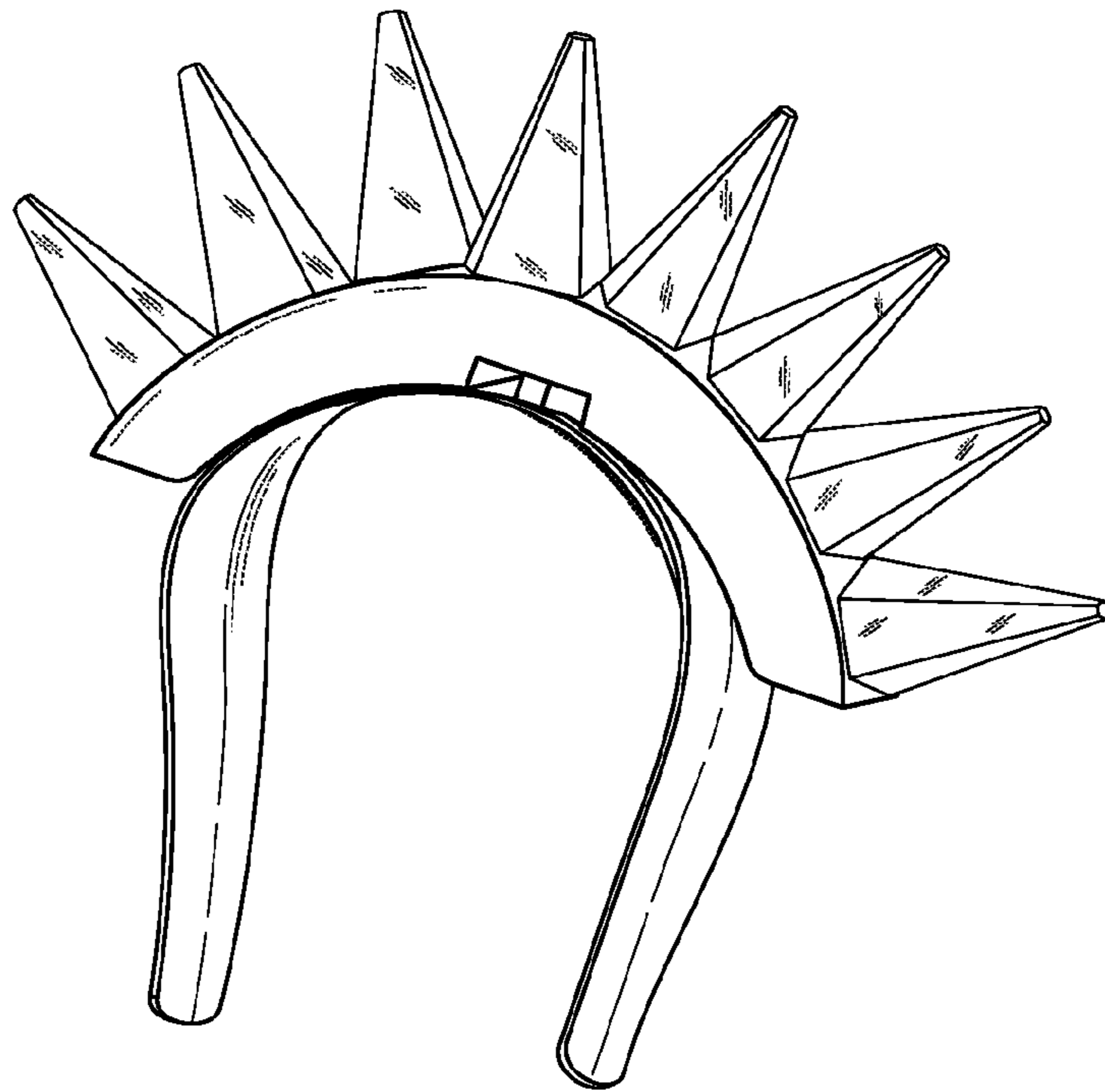


FIG. 6

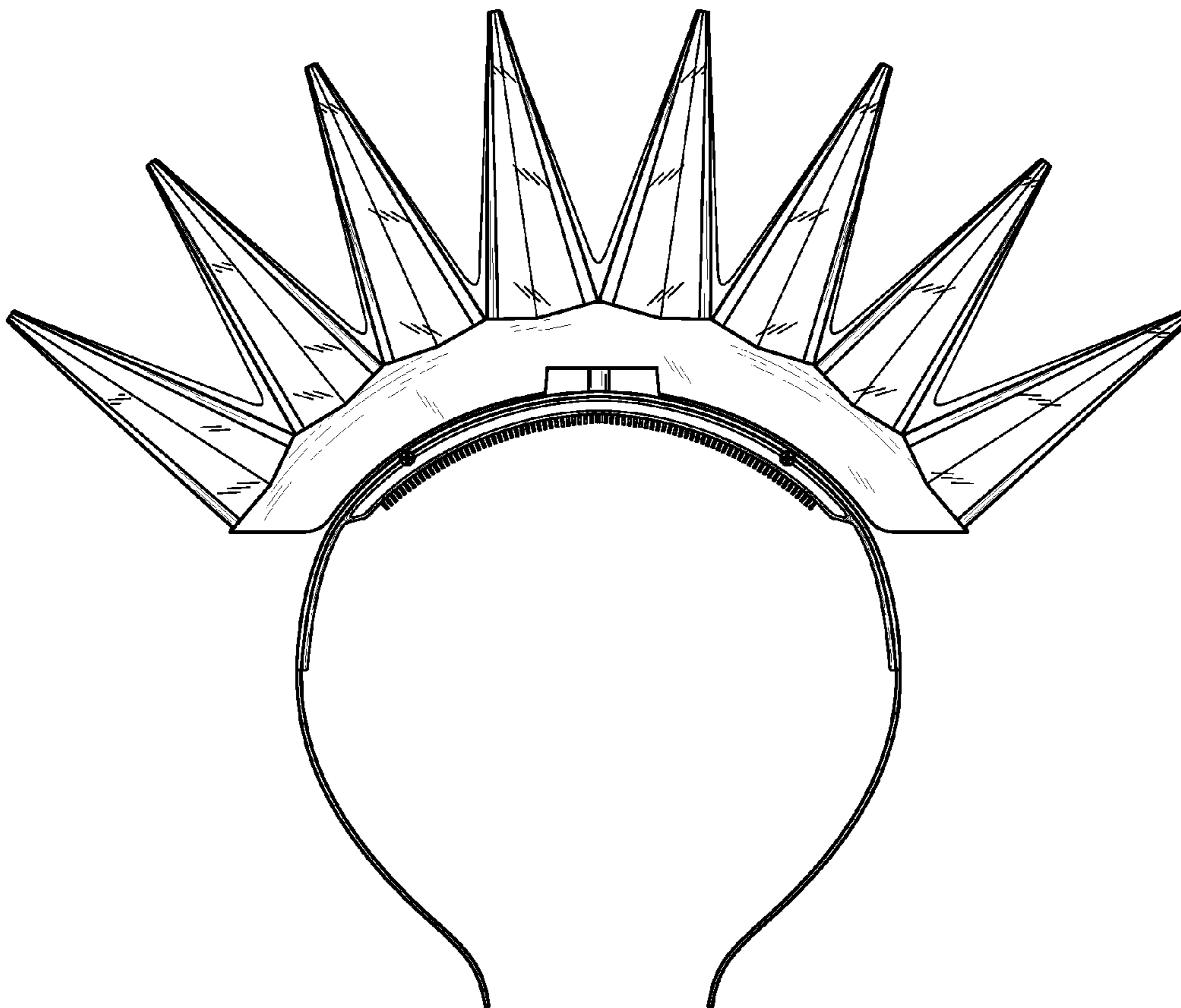


FIG.7

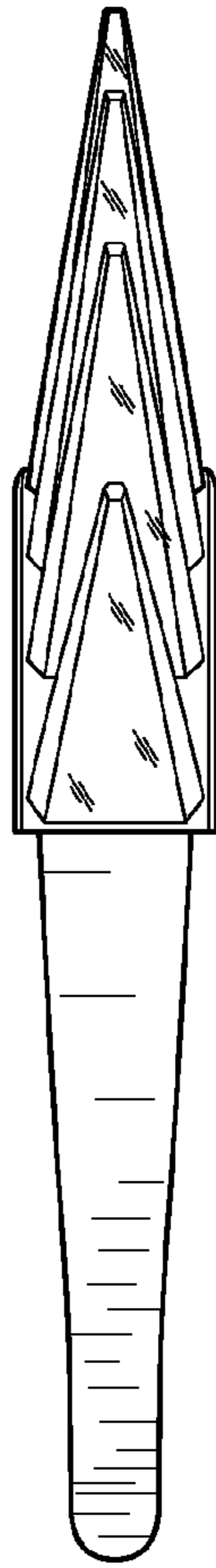


FIG. 8

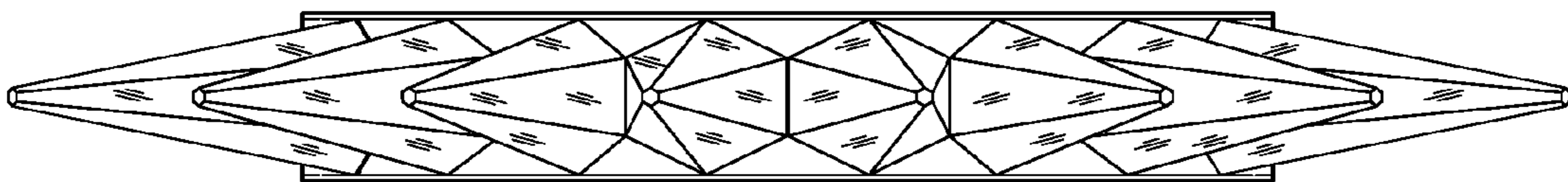


FIG. 9

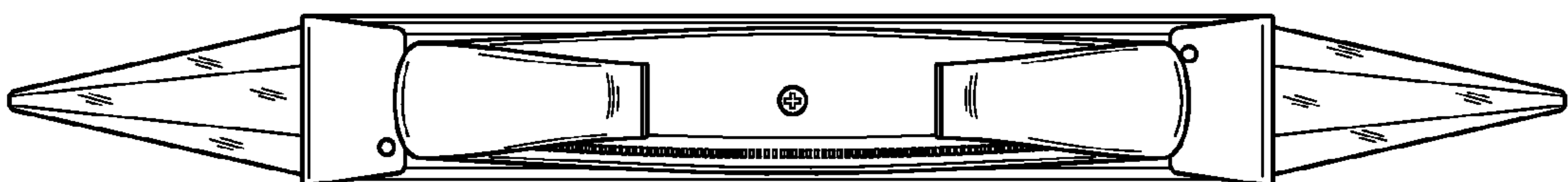


FIG. 10