



US00D636553S

(12) **United States Design Patent**
Finkbeiner

(10) **Patent No.:** **US D636,553 S**

(45) **Date of Patent:** **** Apr. 19, 2011**

(54) **LIFT**

(76) Inventor: **Gerhard Finkbeiner**, Freudenstadt (DE)

(**) Term: **14 Years**

(21) Appl. No.: **29/349,544**

(22) Filed: **Apr. 13, 2010**

(30) **Foreign Application Priority Data**

Oct. 13, 2009 (DE) 402009004995

(51) **LOC (9) Cl.** **12-05**

(52) **U.S. Cl.** **D34/28; D34/31**

(58) **Field of Classification Search** D34/28,

D34/31, 33; 280/47.29, 47.23, 47.113, 798.11,

280/47.17, 652, 47.27; 414/785, 11, 917;

254/2 R, 8 R

See application file for complete search history.

(56) **References Cited**

U.S. PATENT DOCUMENTS

1,887,965 A * 11/1932 Stoner 254/323

D204,009 S * 3/1966 Gray D34/31

D214,930 S * 8/1969 Kincaid et al. D34/31

3,763,965 A * 10/1973 Riekkinen 187/231

4,508,233 A * 4/1985 Helms 212/294

5,011,364 A * 4/1991 Anderson 414/694

D357,106 S * 4/1995 Francis et al. D34/31

D370,758 S * 6/1996 McCause D34/28

D420,482 S * 2/2000 Hultqvist et al. D34/28

D465,635 S * 11/2002 Hong D34/33

7,004,454 B2 * 2/2006 Petrone et al. 254/10 R

D527,509 S * 8/2006 Johns D34/31

D602,670 S * 10/2009 Laursen D34/23

D613,022 S * 3/2010 Laursen D34/23

* cited by examiner

Primary Examiner — Cynthia E Ramirez

(74) *Attorney, Agent, or Firm* — Kriegsmann & Kriegsmann

(57) **CLAIM**

The ornamental design for a lift, as shown and described.

DESCRIPTION

FIG. 1 is a back perspective view of a lift showing my new design;

FIG. 2 is a front perspective view of the lift in an alternate position;

FIG. 3 is a further back perspective view of the lift as shown in FIG. 2;

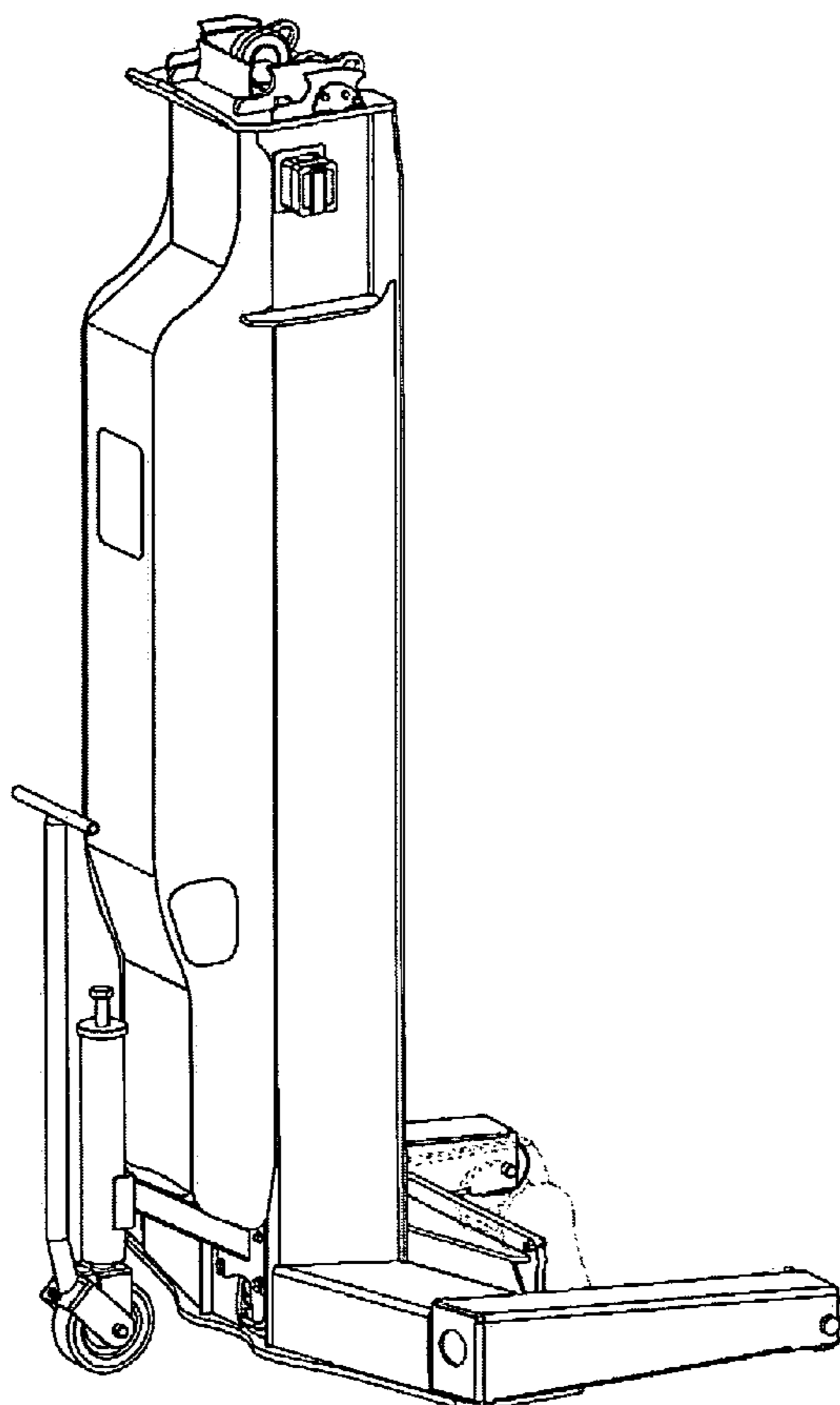
FIG. 4 is a side view of the lift shown in FIG. 1;

FIG. 5 is a back view of the lift shown in FIG. 1;

FIG. 6 is a front view of the lift shown in FIG. 1; and,

FIG. 7 is a top view of the lift shown in FIG. 1.

1 Claim, 7 Drawing Sheets



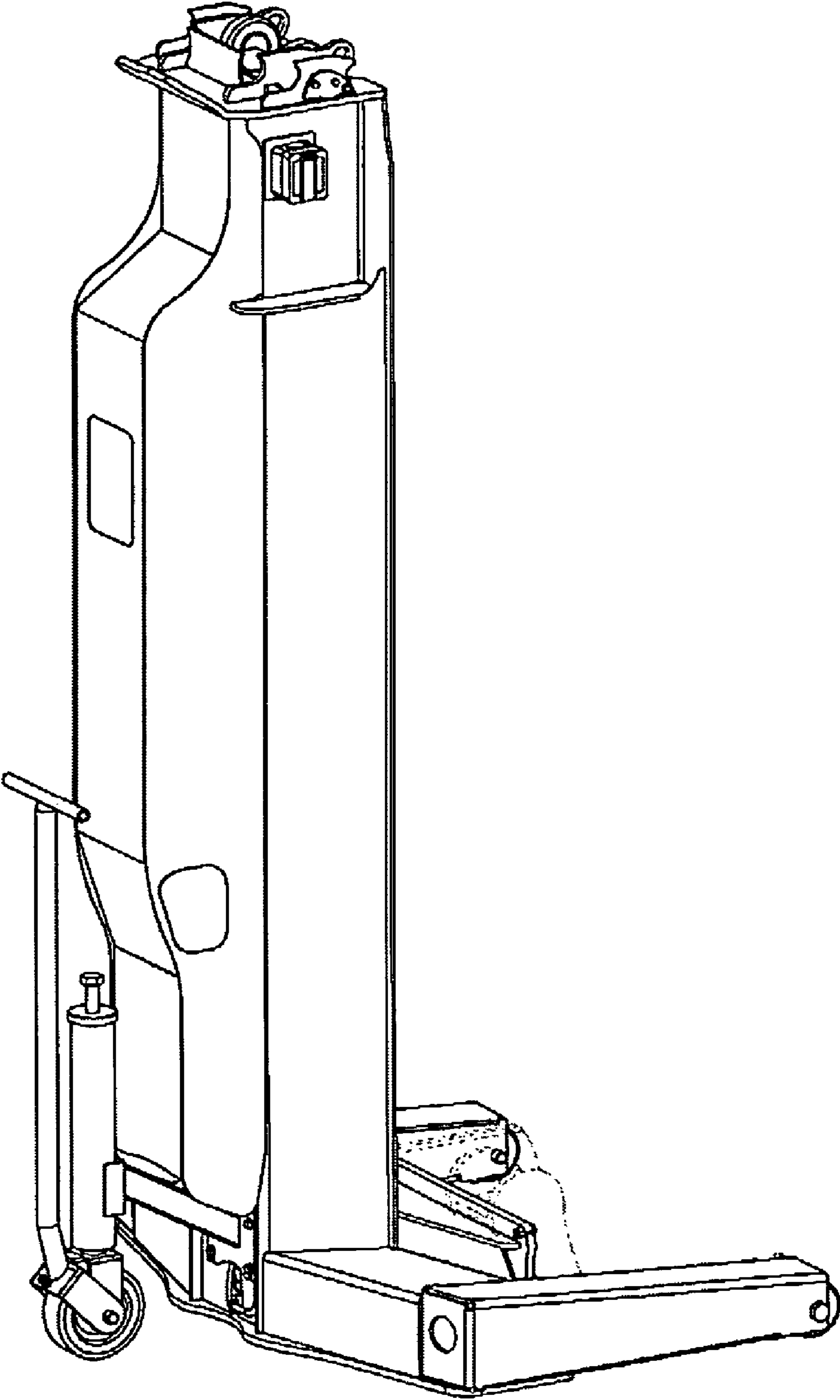


Fig. 1

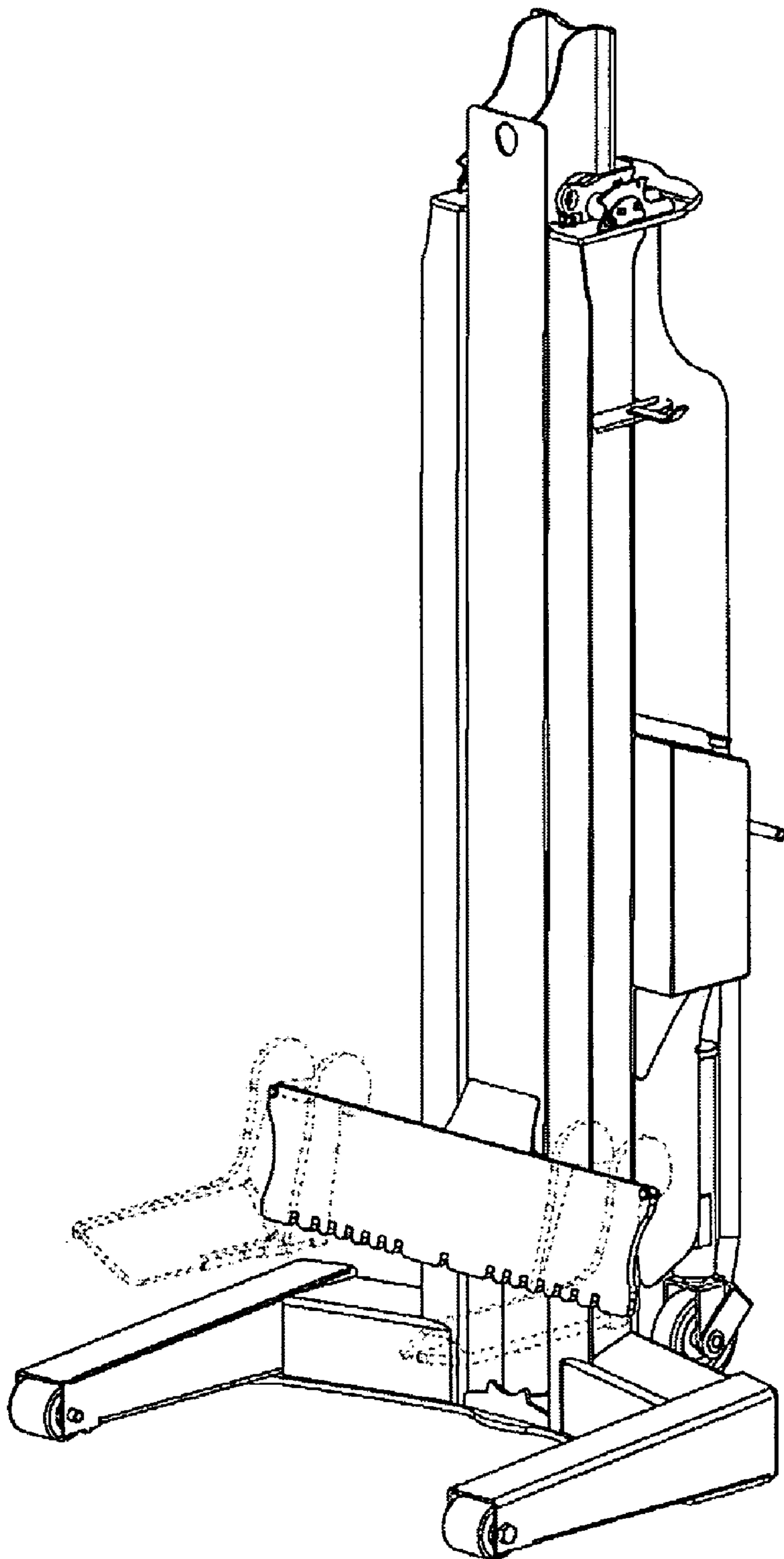


Fig. 2

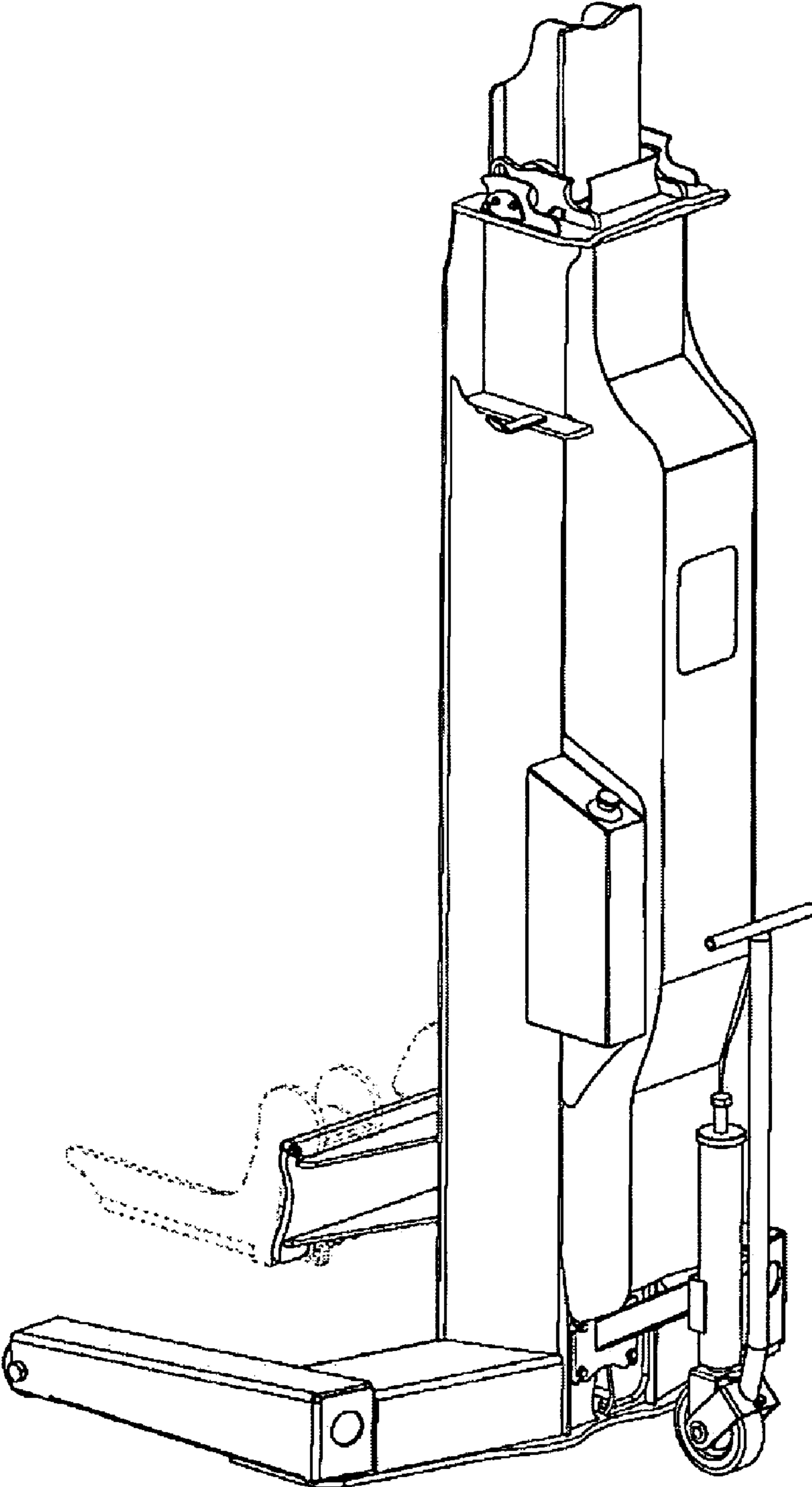


Fig. 3

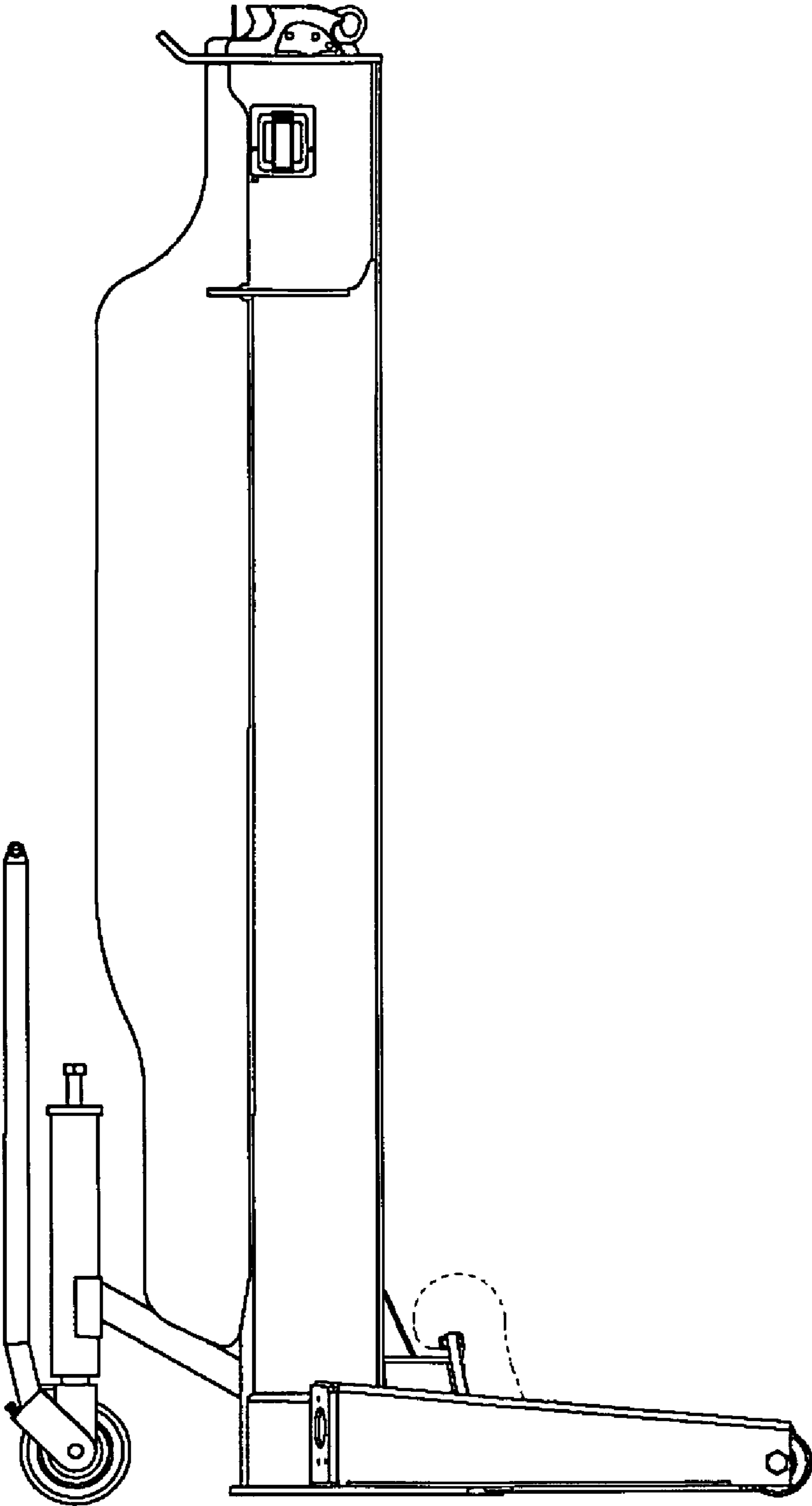


Fig. 4

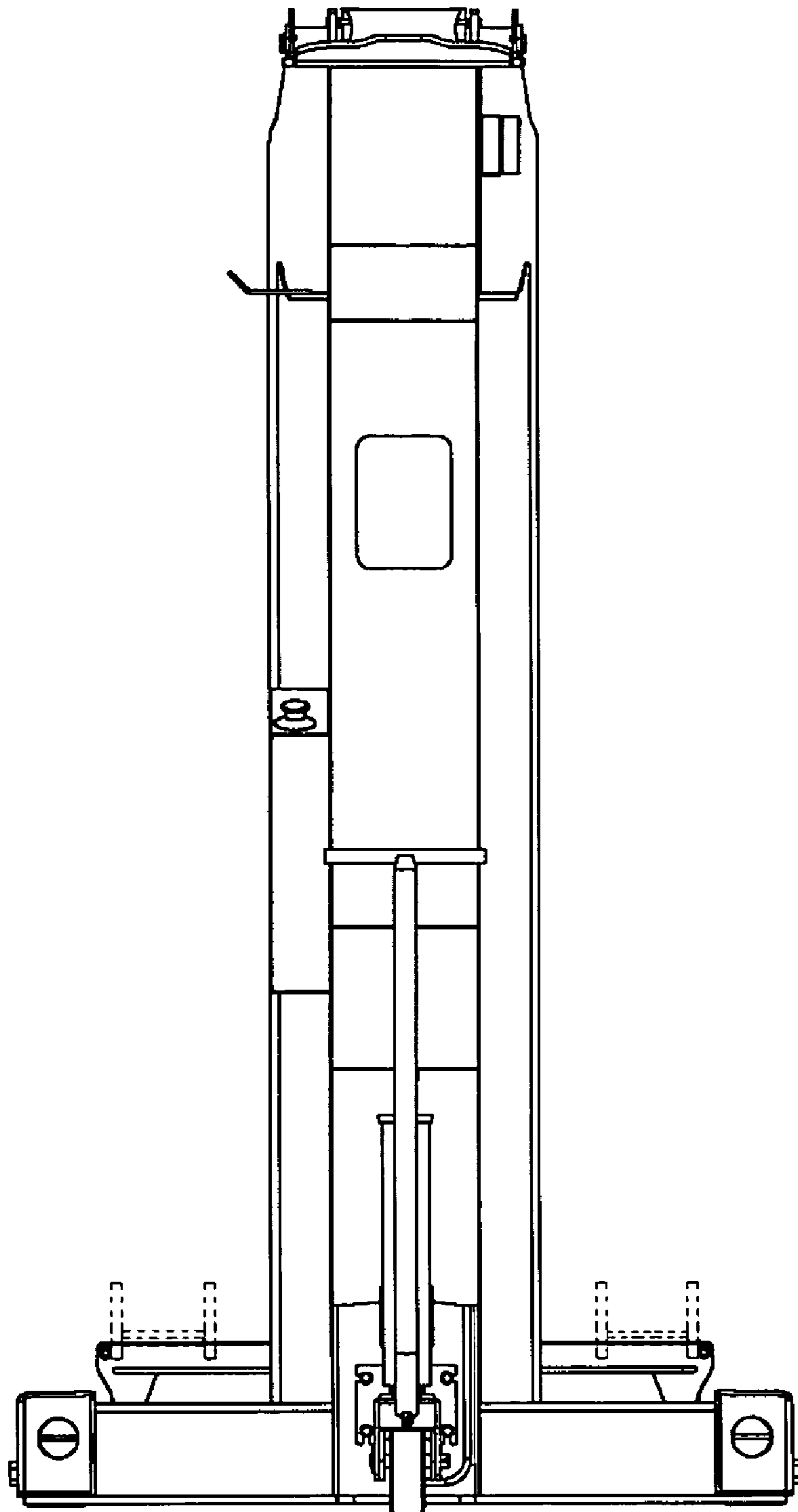


Fig. 5

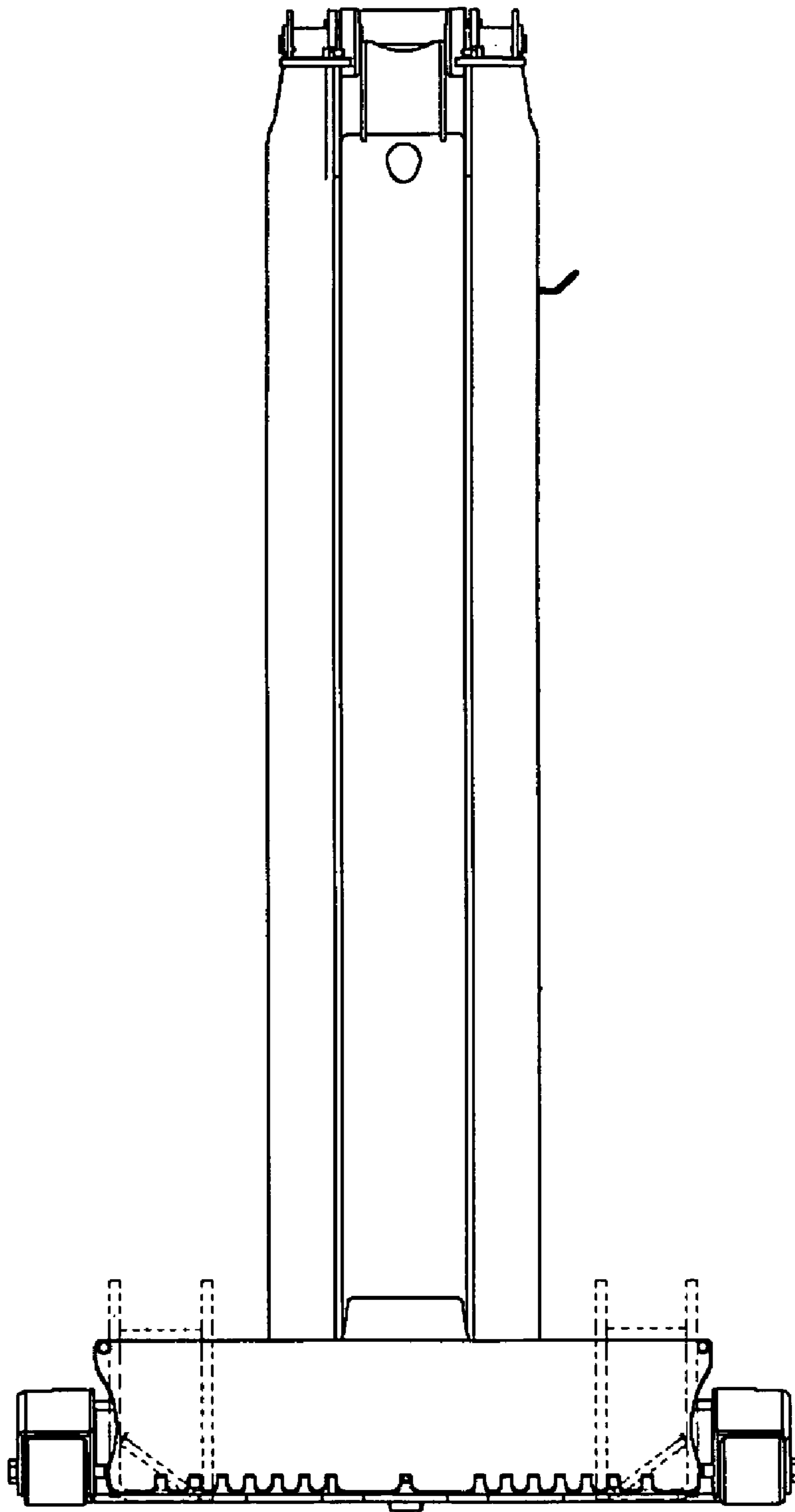


Fig. 6

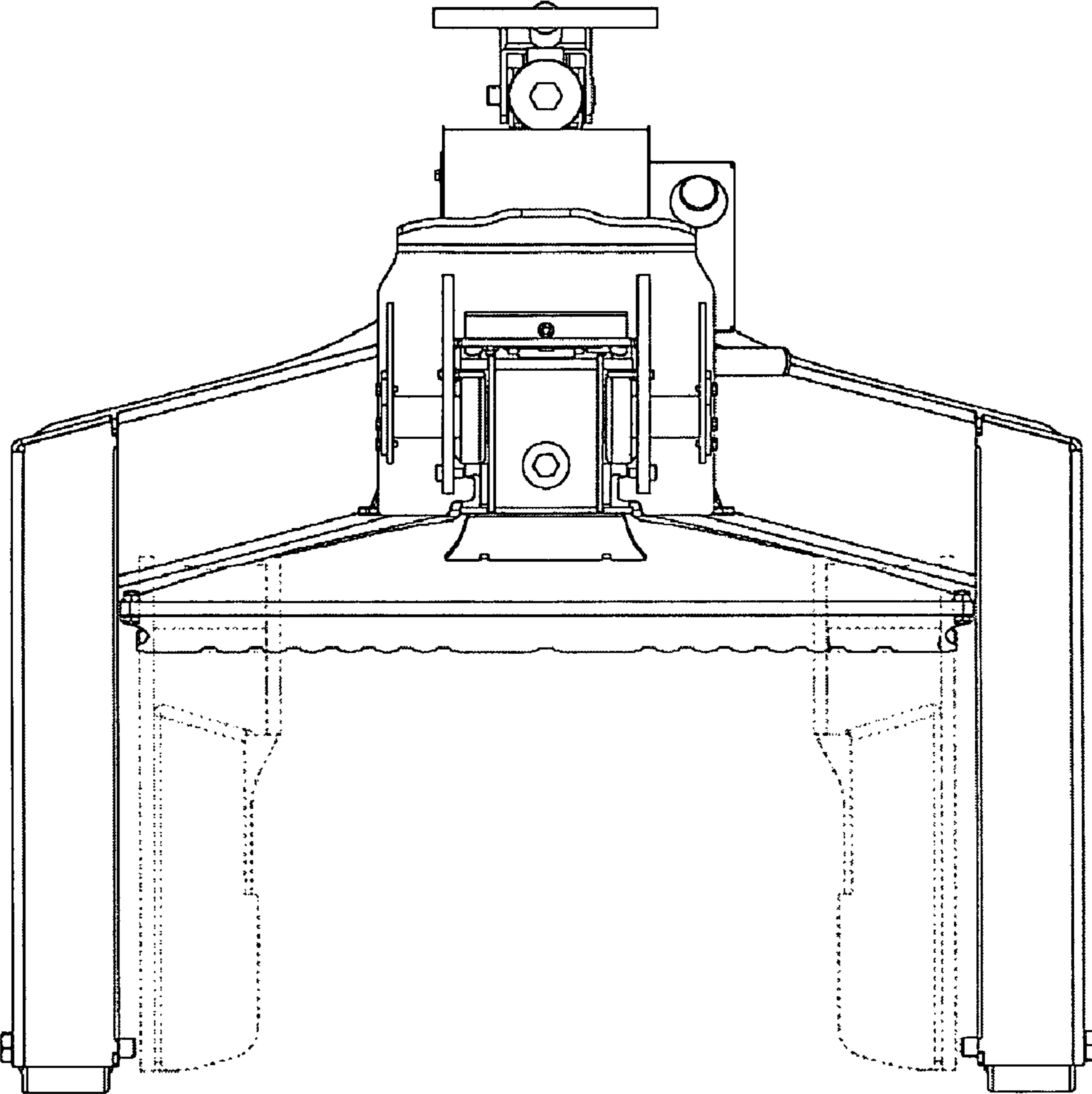


Fig. 7