



US00D636552S

(12) **United States Design Patent**  
**Finkbeiner**

(10) **Patent No.:** **US D636,552 S**

(45) **Date of Patent:** **\*\* Apr. 19, 2011**

(54) **LIFT**

(76) **Inventor:** **Gerhard Finkbeiner**, Freudenstadt (DE)

(\*\*) **Term:** **14 Years**

(21) **Appl. No.:** **29/349,543**

(22) **Filed:** **Apr. 13, 2010**

(51) **LOC (9) Cl.** ..... **12-05**

(52) **U.S. Cl.** ..... **D34/28; D34/31**

(58) **Field of Classification Search** ..... D34/28,  
D34/31, 33; 280/47.29, 47.23, 47.113, 798.11,  
280/47.17, 652, 47.27; 414/785, 11, 917;  
254/2 R, 8 R

See application file for complete search history.

(56) **References Cited**

**U.S. PATENT DOCUMENTS**

1,887,965	A *	11/1932	Stoner	.....	254/323
D204,009	S *	3/1966	Gray	.....	D34/31
D214,930	S *	8/1969	Kincald et al.	.....	D34/31
3,763,965	A *	10/1973	Riekkinen	.....	187/231
4,508,233	A *	4/1985	Helms	.....	212/294
5,011,364	A *	4/1991	Anderson	.....	414/694
D357,106	S *	4/1995	Francis et al.	.....	D34/31
D370,758	S *	6/1996	McCanse	.....	D34/28
D420,482	S *	2/2000	Hultqvist et al.	.....	D34/28

D465,635	S *	11/2002	Hong	.....	D34/33
7,004,454	B2 *	2/2006	Petrone et al.	.....	254/10 R
D527,509	S *	8/2006	Johns	.....	D34/31
D602,670	S *	10/2009	Laursen	.....	D34/23
D613,022	S *	3/2010	Laursen	.....	D34/23

\* cited by examiner

*Primary Examiner* — Cynthia E Ramirez

(74) *Attorney, Agent, or Firm* — Kriegsmann & Kriegsmann

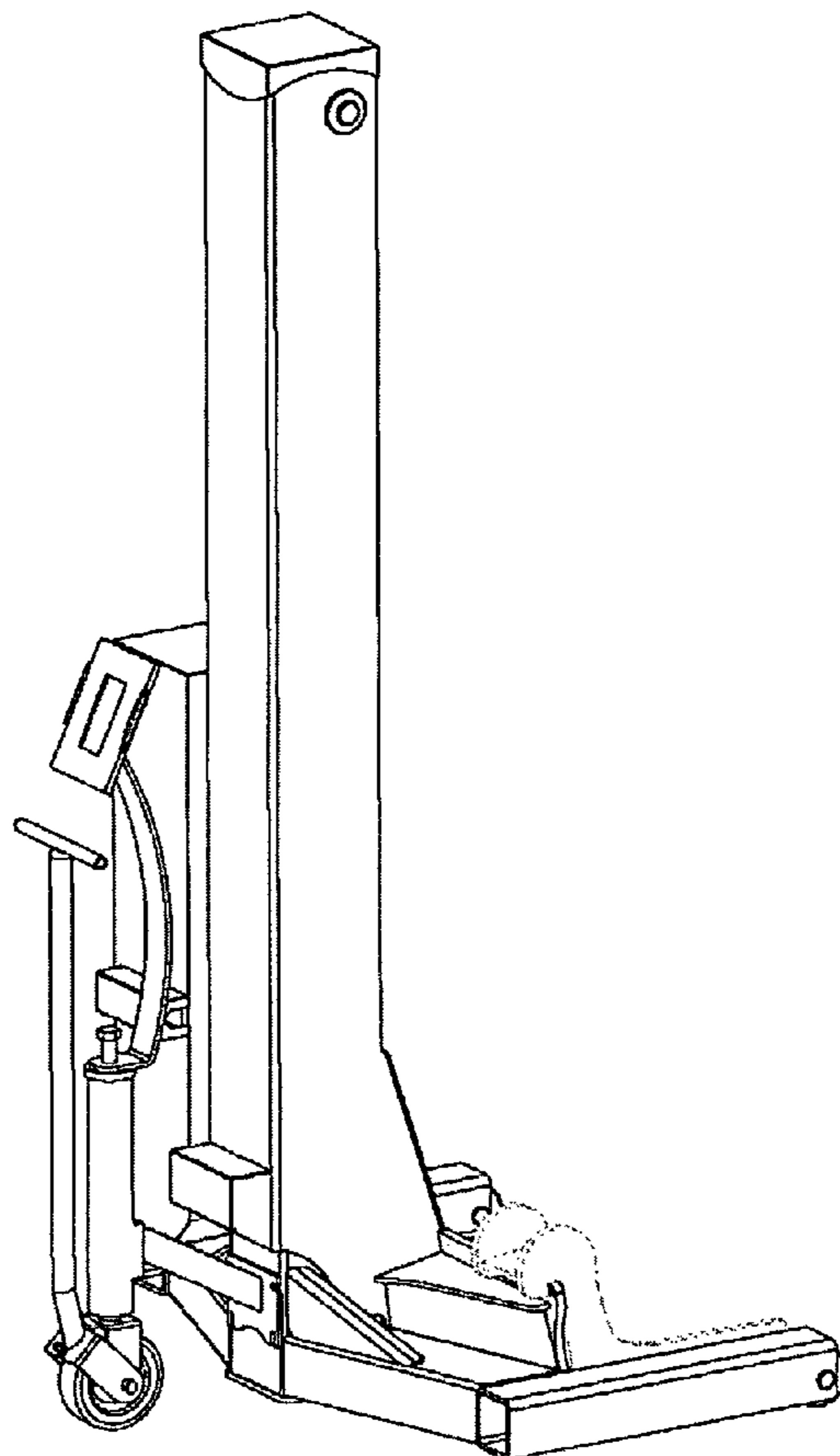
(57) **CLAIM**

The ornamental design for a lift, as shown and described.

**DESCRIPTION**

FIG. 1 is a back perspective view of a lift showing my new design;  
 FIG. 2 is a front perspective view of the lift in an alternate position;  
 FIG. 3 is a further back perspective view of the lift as shown in FIG. 2;  
 FIG. 4 is a side view of the lift shown in FIG. 1;  
 FIG. 5 is a back view of the lift shown in FIG. 1;  
 FIG. 6 is a front view of the lift shown in FIG. 1; and,  
 FIG. 7 is a top view of the lift shown in FIG. 1.

**1 Claim, 7 Drawing Sheets**



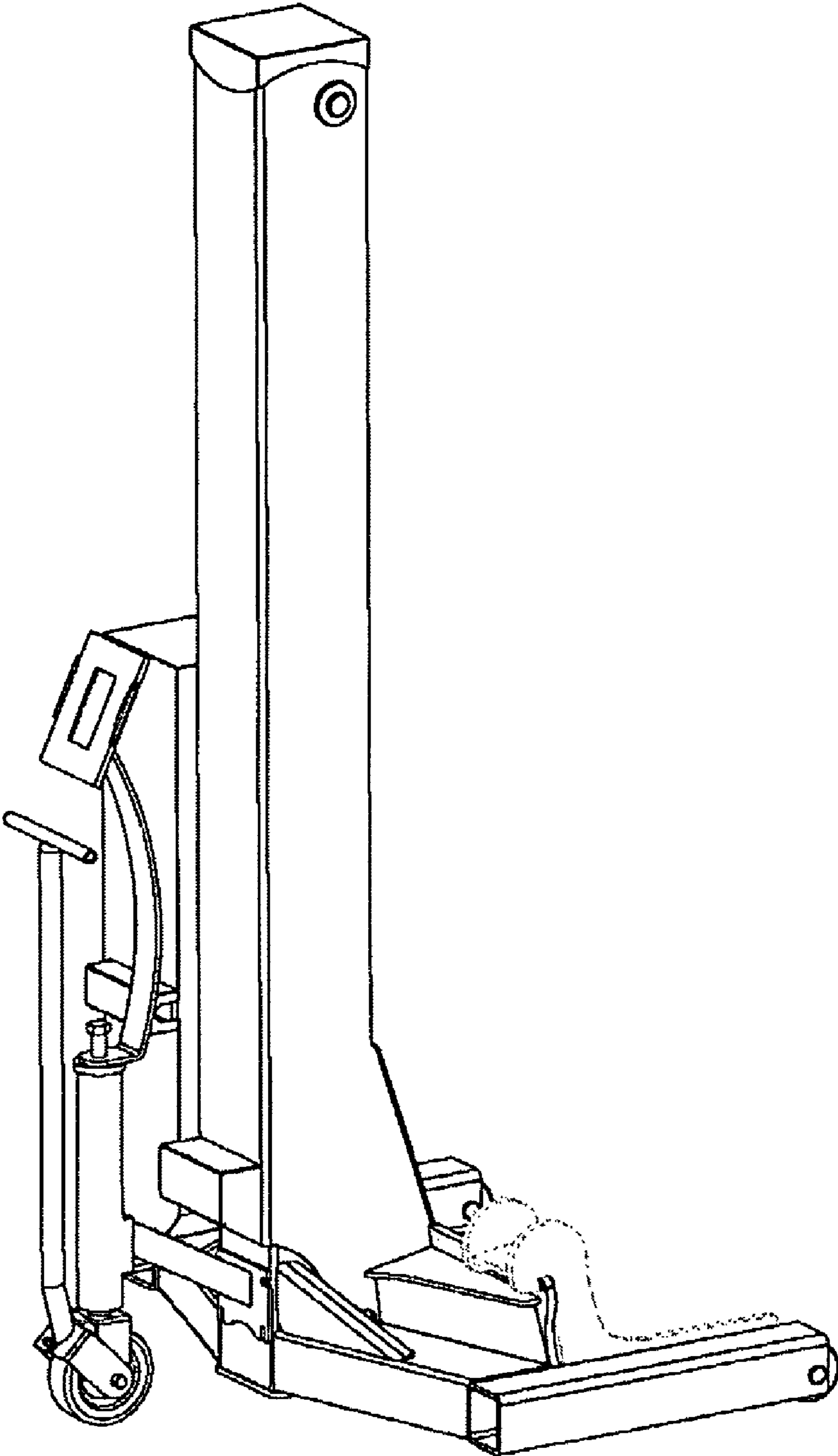


Fig. 1

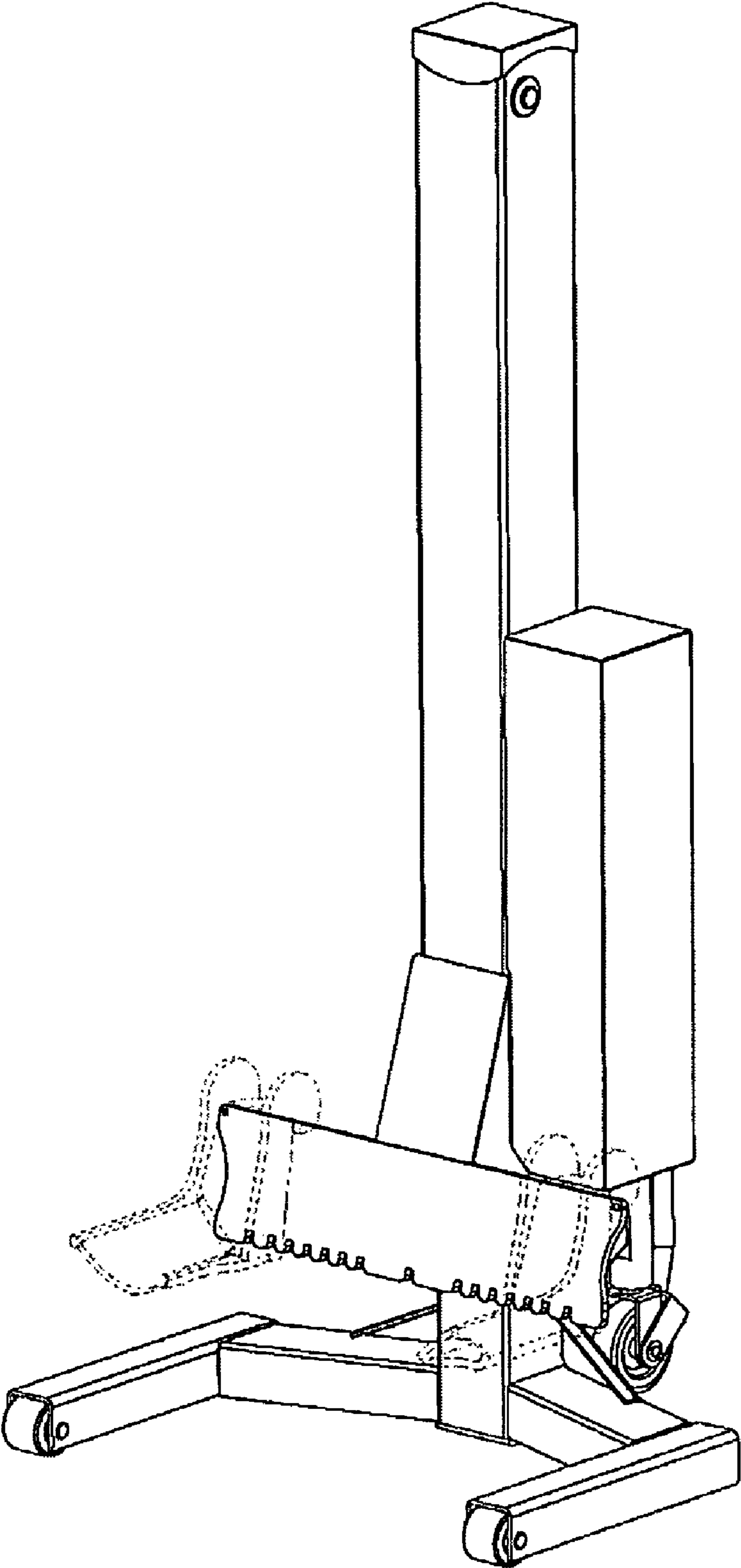


Fig. 2

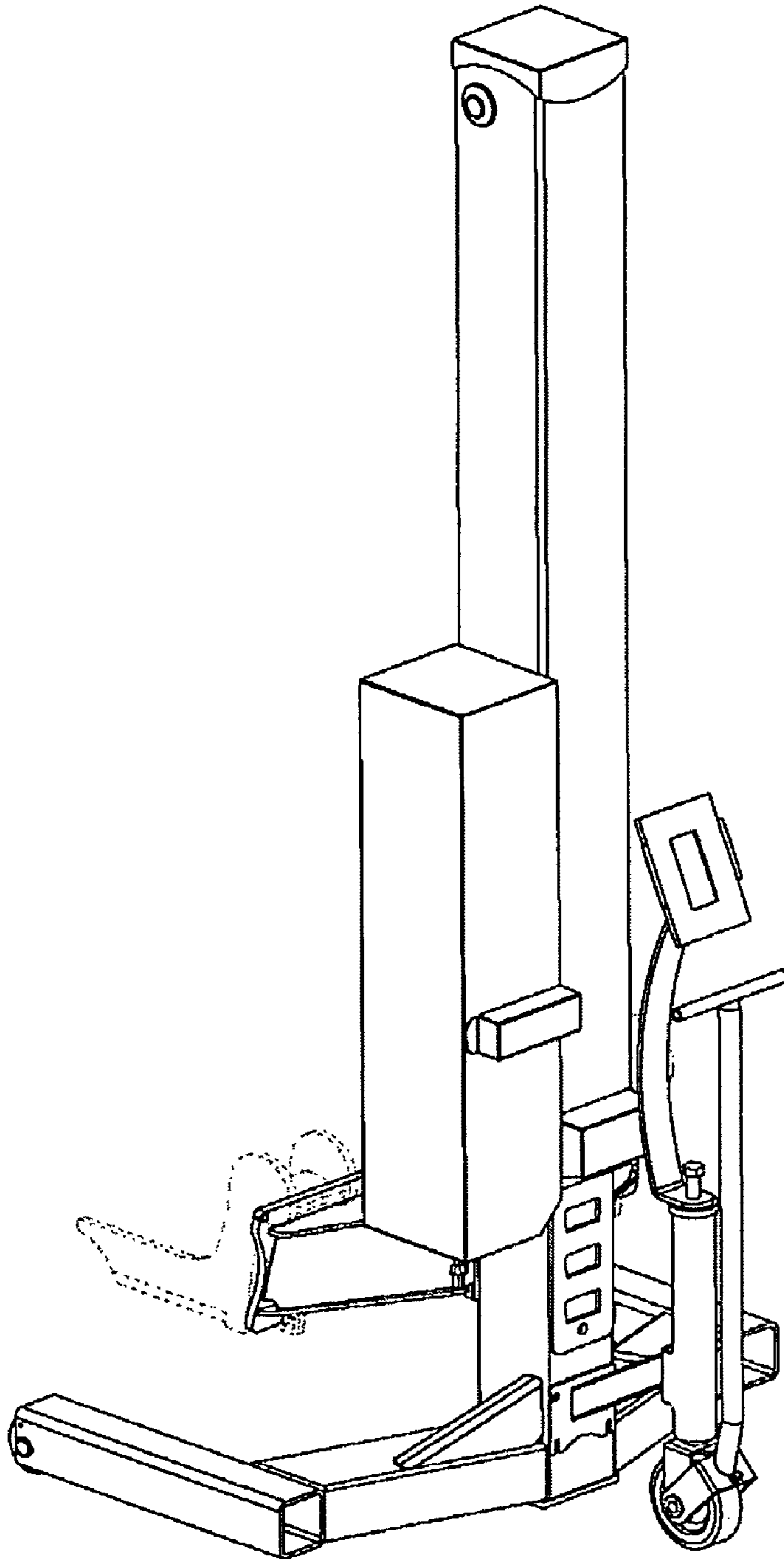


Fig. 3

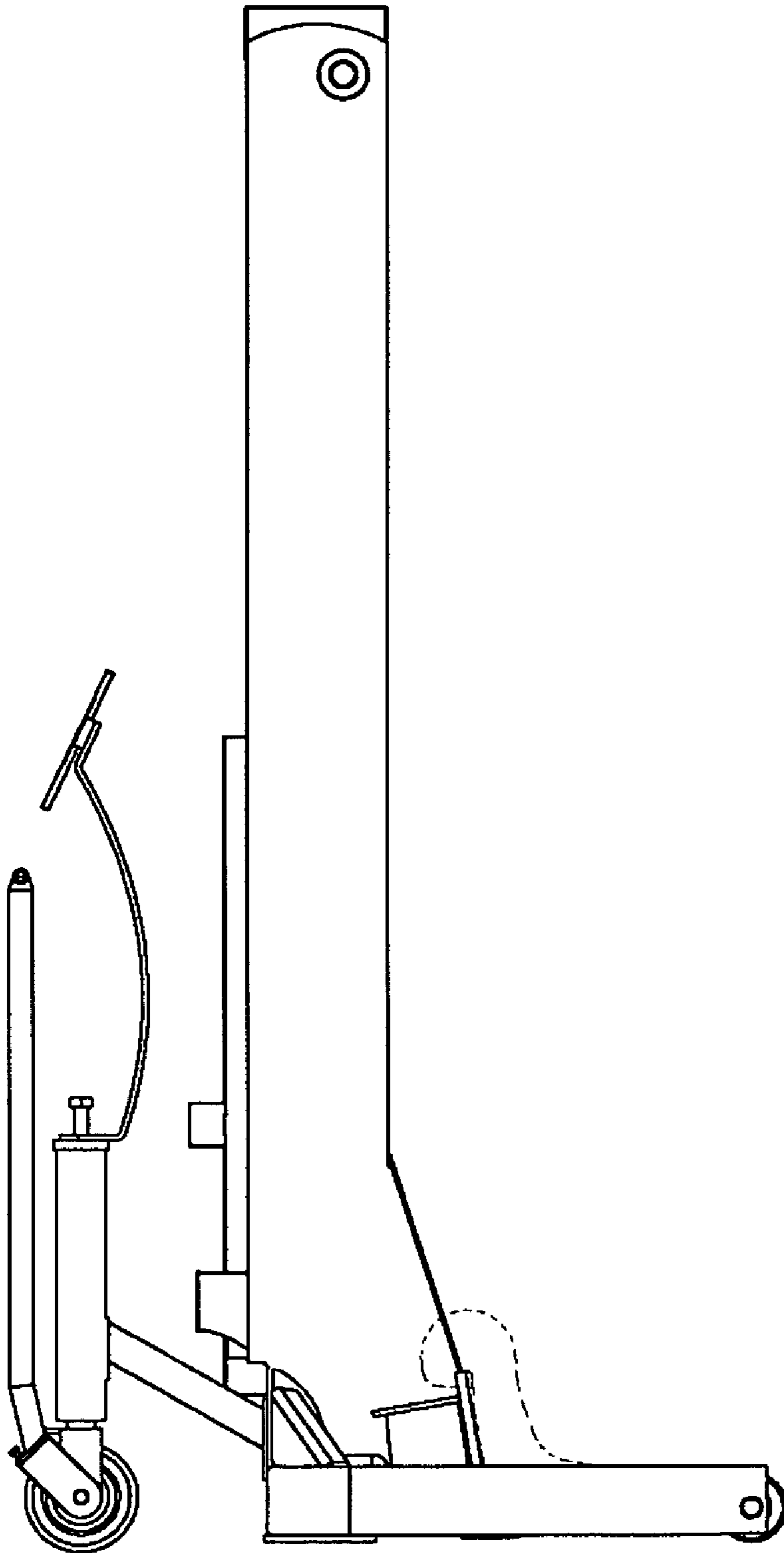


Fig. 4

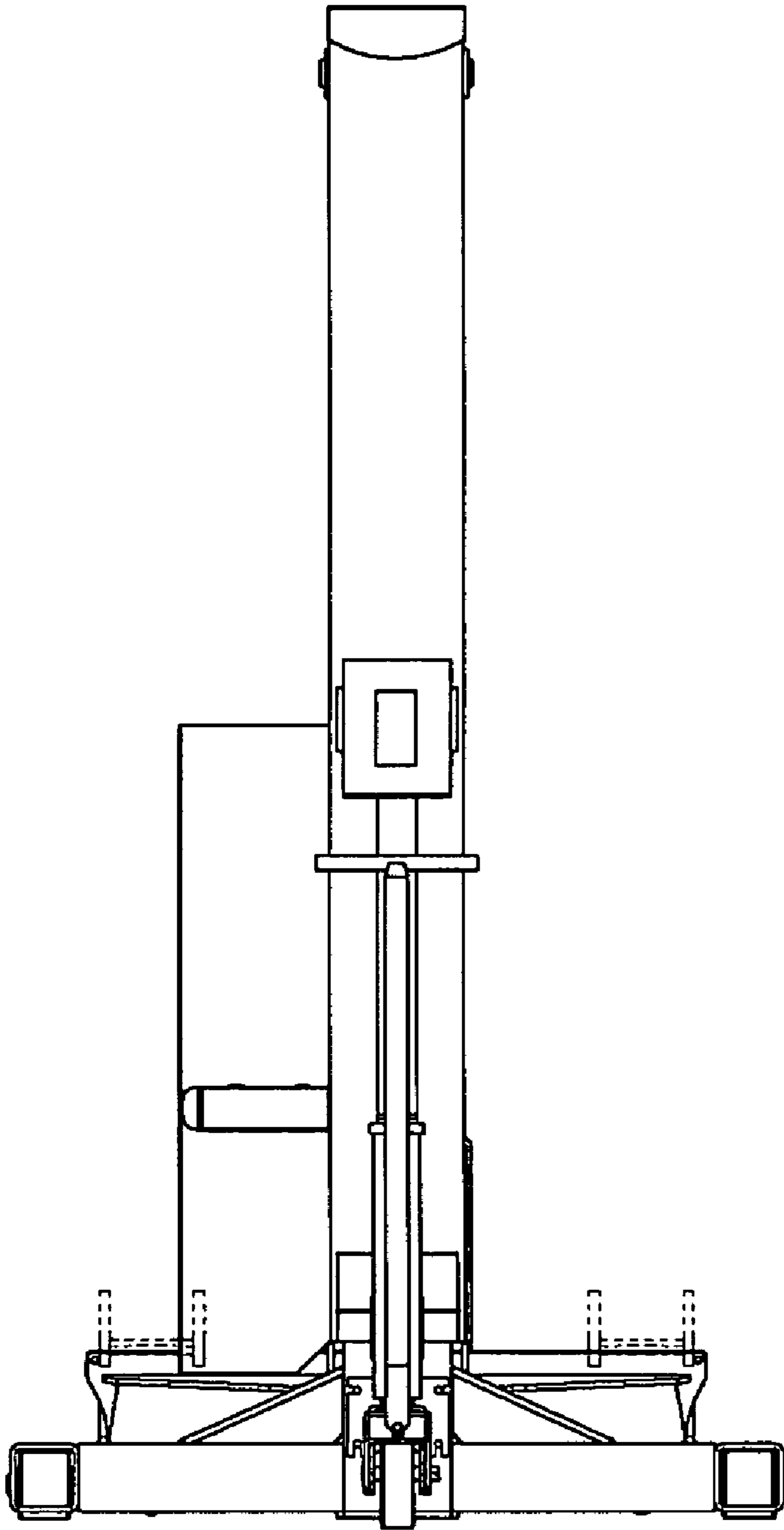


Fig. 5

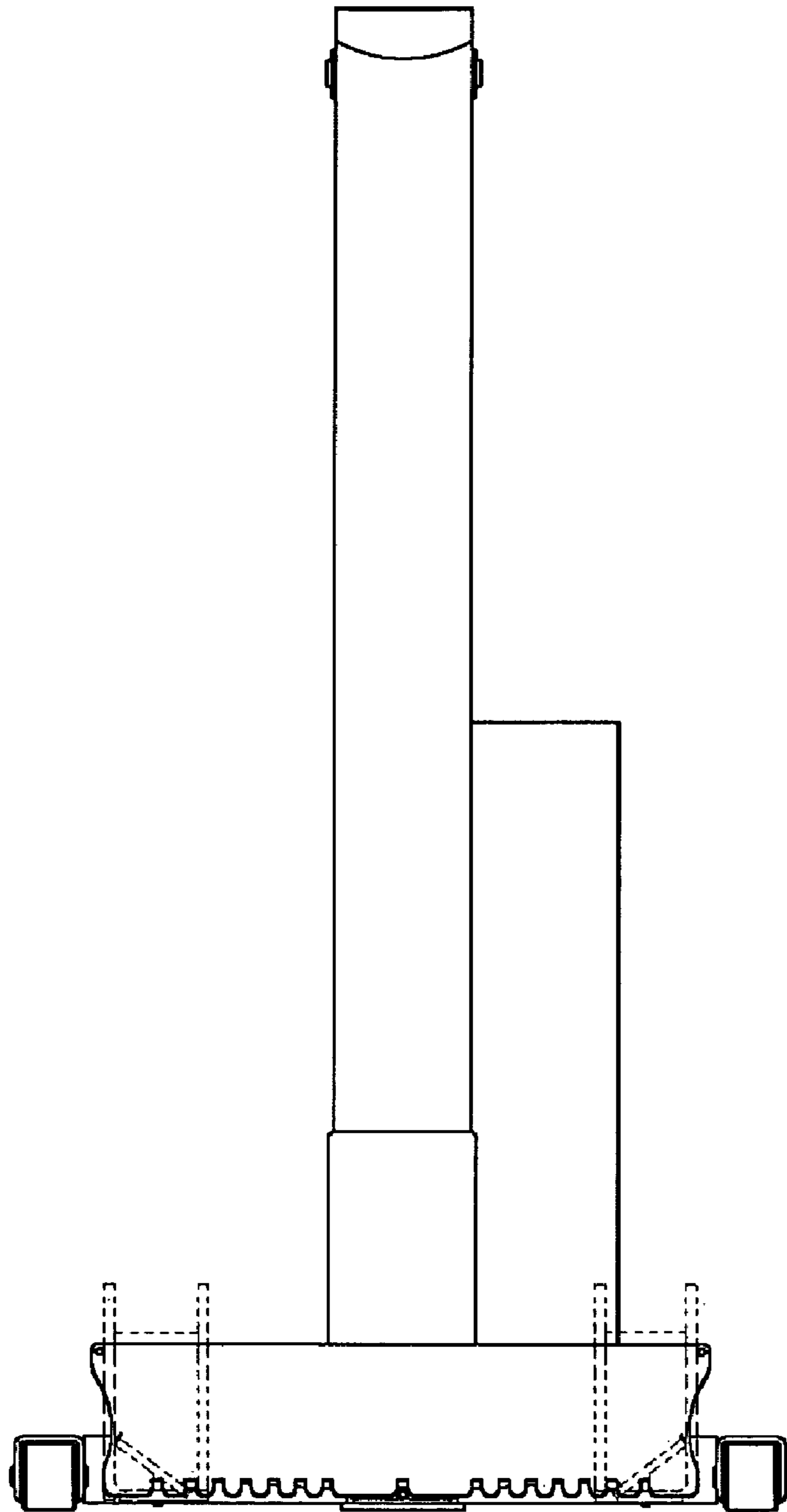


Fig. 6

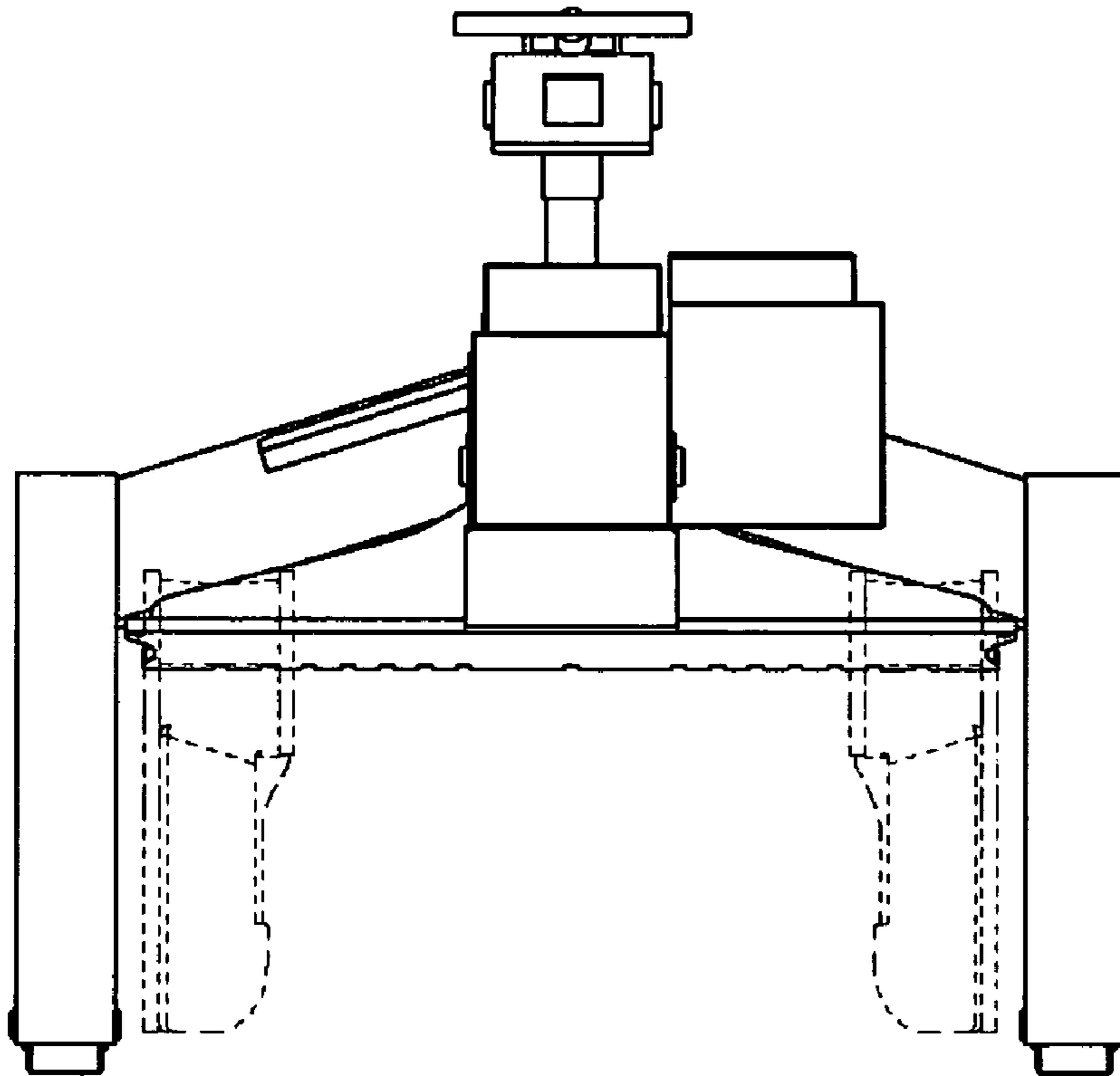


Fig. 7