

US00D636551S

(12) **United States Design Patent**  
**Dixon**

(10) **Patent No.:** **US D636,551 S**

(45) **Date of Patent:** **\*\* Apr. 19, 2011**

(54) **HUNTING CART**

(76) Inventor: **Gary J. Dixon**, Mark, IL (US)

(\*\*) Term: **14 Years**

(21) Appl. No.: **29/365,539**

(22) Filed: **Jul. 9, 2010**

**Related U.S. Application Data**

(63) Continuation-in-part of application No. 12/150,366, filed on Apr. 28, 2008, now abandoned.

(51) **LOC (9) Cl.** ..... **12-02**

(52) **U.S. Cl.** ..... **D34/24**

(58) **Field of Classification Search** ..... D34/12-27;  
280/47.24, 47.131, 47.26, 47.29, 652, 654,  
280/645

See application file for complete search history.

(56) **References Cited**

**U.S. PATENT DOCUMENTS**

- 3,222,100 A \* 12/1965 Lindzy ..... 296/20
- 3,603,608 A \* 9/1971 Kirkpatrick ..... 280/47.131
- D223,343 S \* 4/1972 Kirkpatrick ..... D34/24
- 3,913,762 A \* 10/1975 Alexander ..... 414/490

- 4,861,057 A \* 8/1989 Kunkle ..... 280/47.131
- D327,968 S \* 7/1992 Wright ..... D34/24
- D424,266 S \* 5/2000 McIntyre ..... D34/24
- D622,471 S \* 8/2010 Hernandez ..... D34/12

\* cited by examiner

*Primary Examiner* — Cynthia E Ramirez

(74) *Attorney, Agent, or Firm* — Dale J. Ream

(57) **CLAIM**

The ornamental design for a hunting cart, as shown and described.

**DESCRIPTION**

This application claims the benefit of non-provisional application Ser. No. 11/359,034 filed on Feb. 21, 2006, titled Motorized Hunting Cart, now abandoned.

FIG. 1 is a perspective view of a hunting cart showing my new design;

FIG. 2 is a front view thereof;

FIG. 3 is a back view thereof;

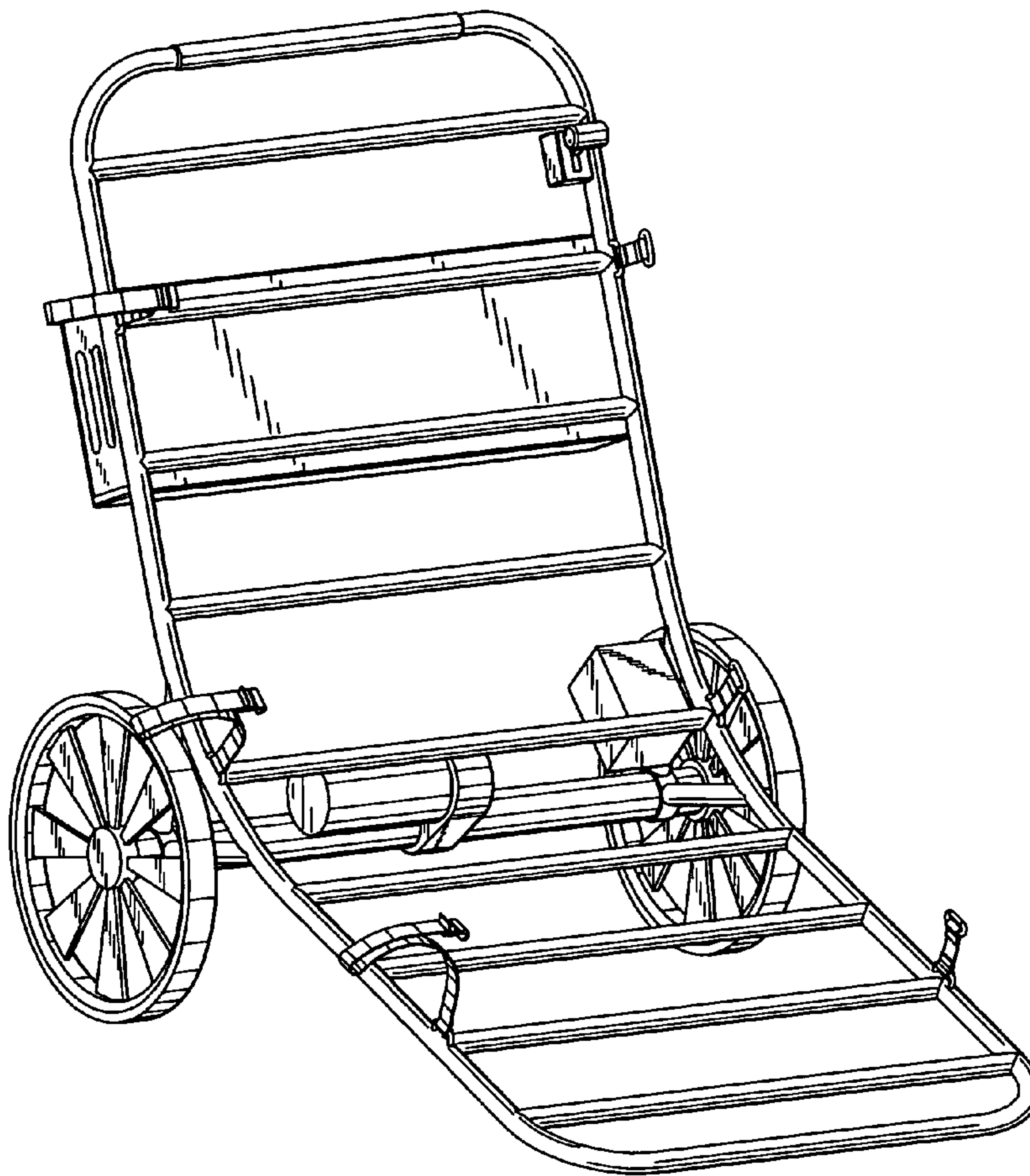
FIG. 4 is a right side view thereof;

FIG. 5 is a left side view thereof;

FIG. 6 is a top view thereof; and,

FIG. 7 is a bottom view thereof.

**1 Claim, 7 Drawing Sheets**



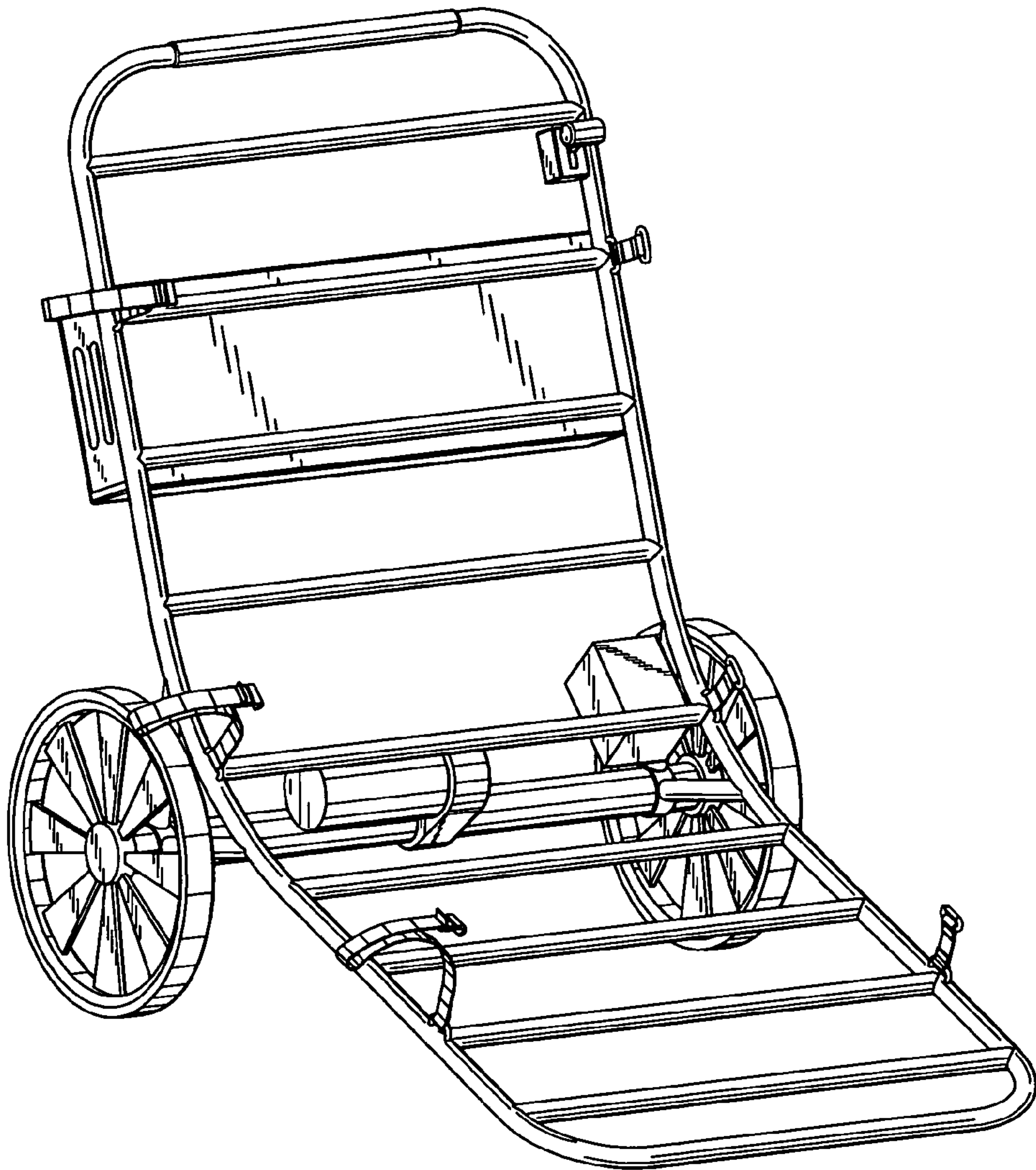


Fig. 1

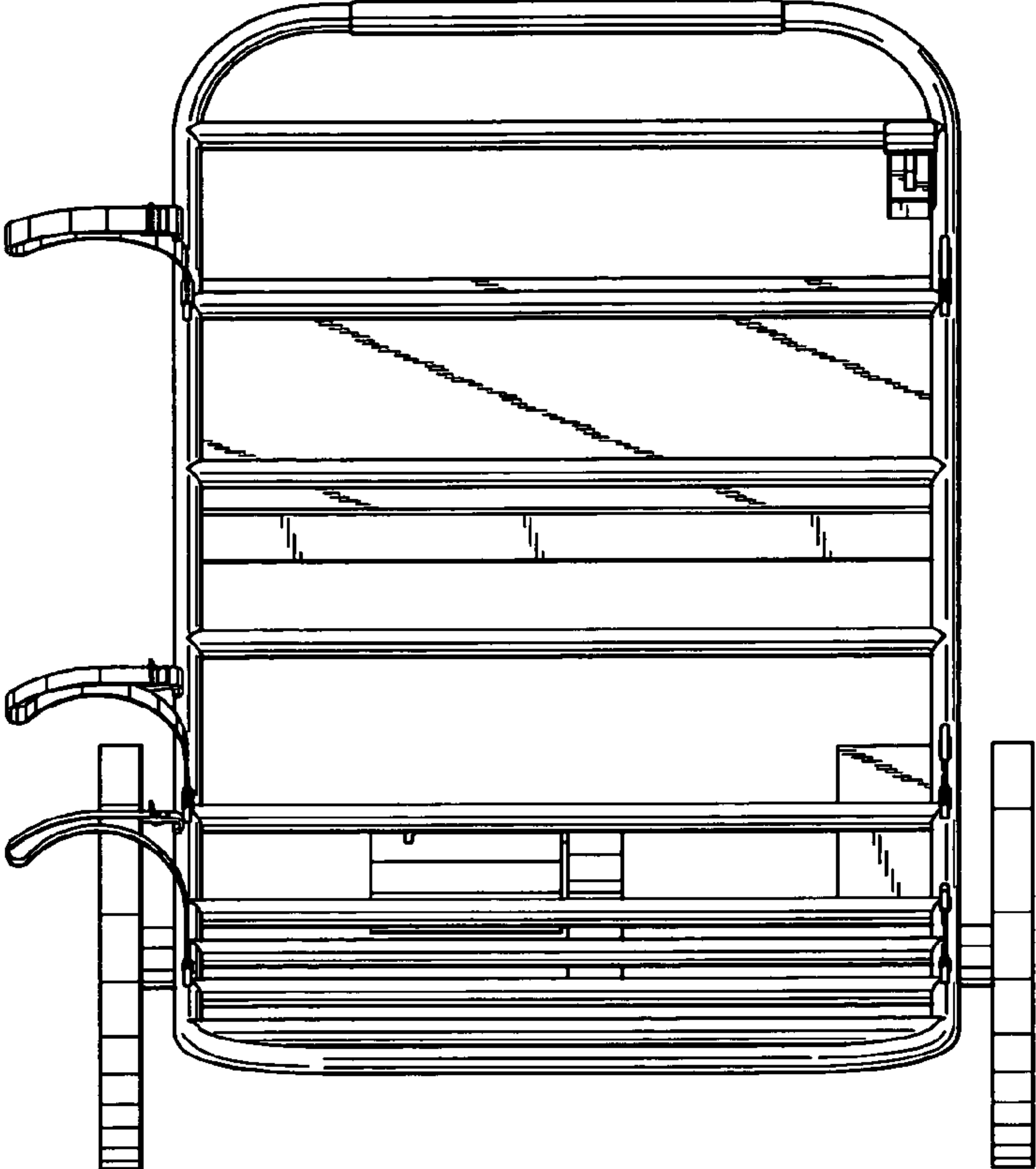


Fig. 2

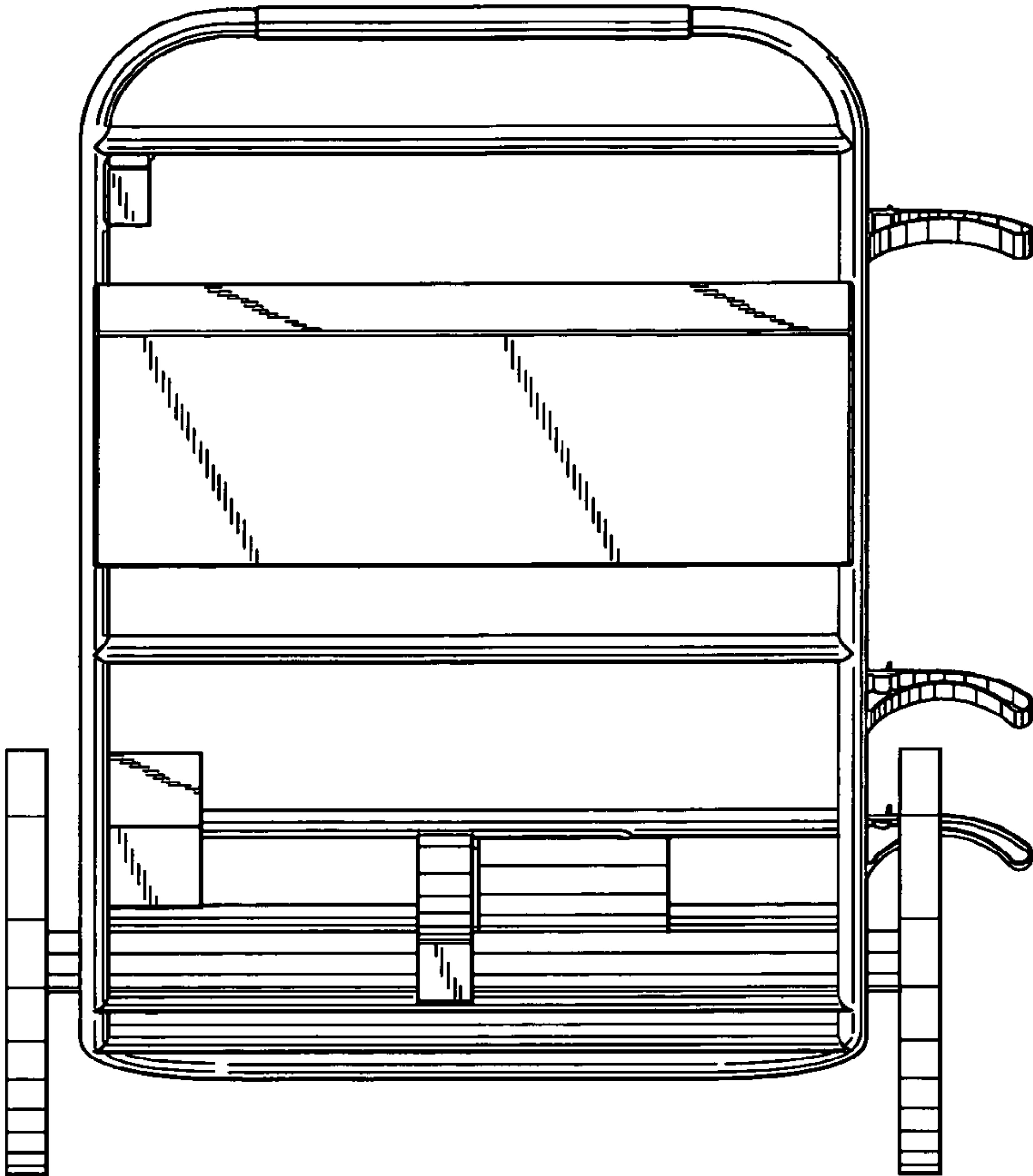


Fig. 3

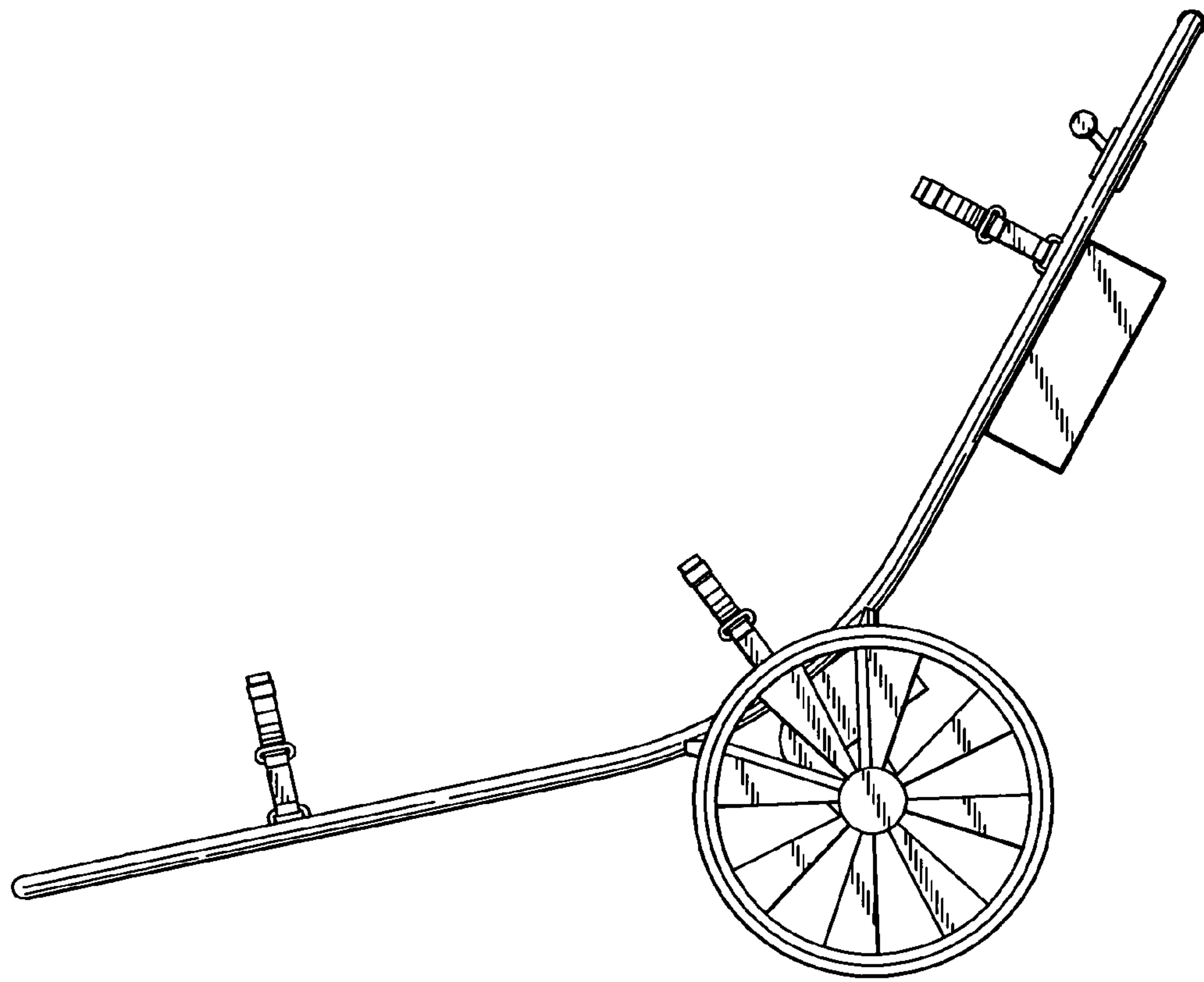


Fig. 4

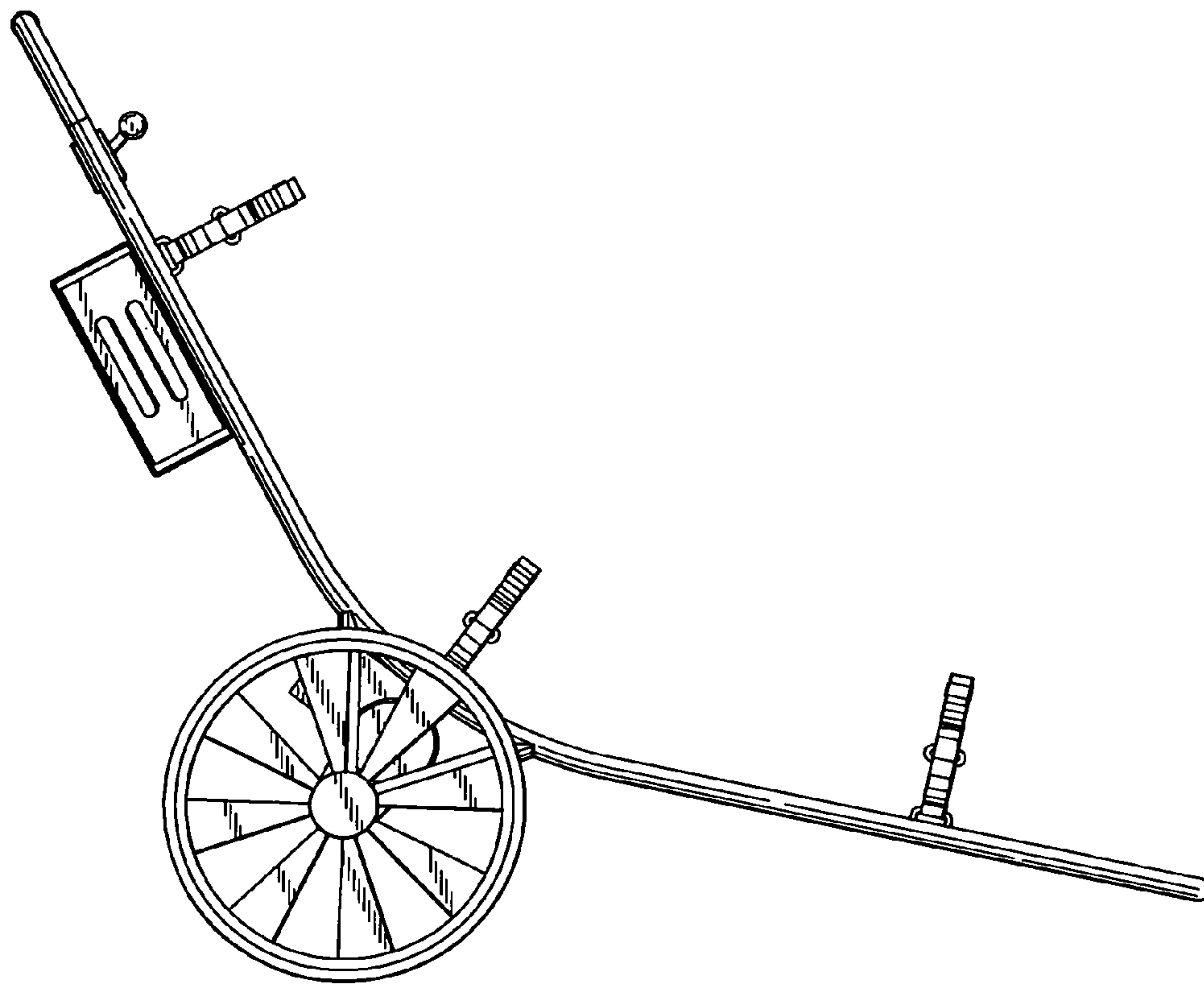


Fig. 5



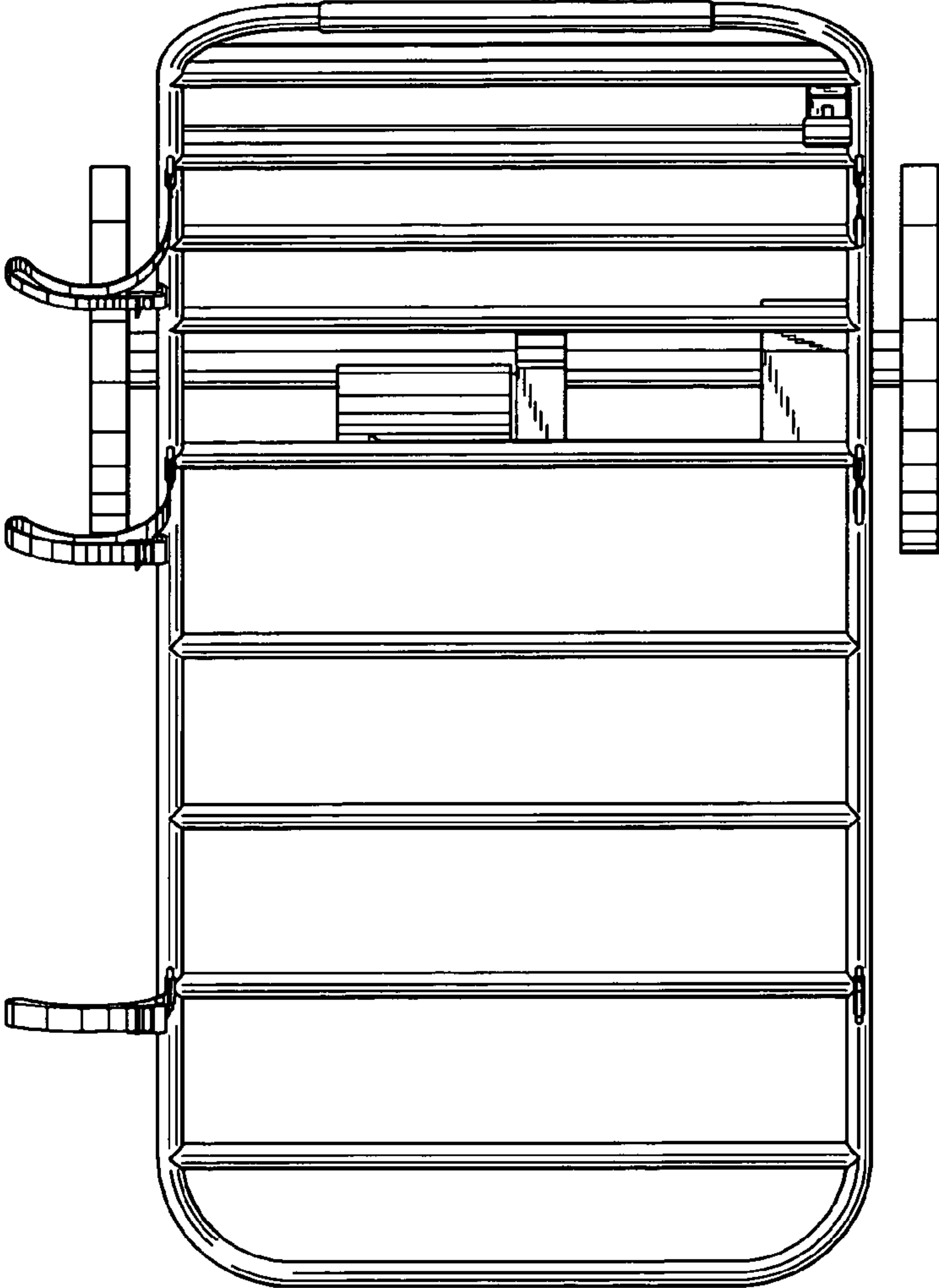


Fig. 6

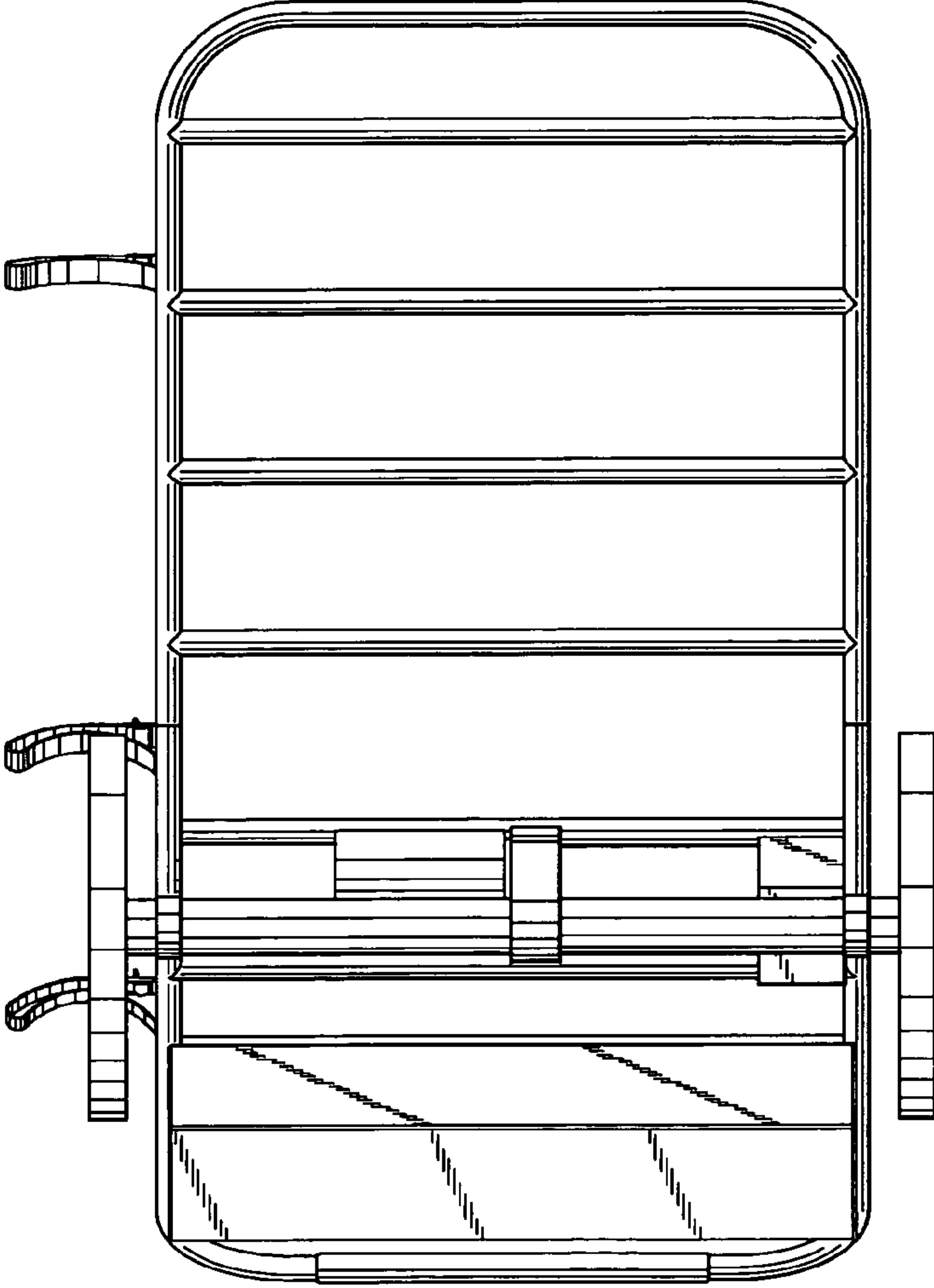


Fig. 7