



US00D636548S

(12) **United States Design Patent**
Hoover

(10) **Patent No.:** **US D636,548 S**

(45) **Date of Patent:** **** Apr. 19, 2011**

(54) **HAND HELD SCRAPER**

(76) Inventor: **Wilmer W. Hoover**, Vancouver, WA
(US)

(**) Term: **14 Years**

(21) Appl. No.: **29/369,077**

(22) Filed: **Sep. 1, 2010**

(51) **LOC (9) Cl.** **08-05**

(52) **U.S. Cl.** **D32/49**

(58) **Field of Classification Search** D32/40-49;
D8/14, 98, 102, 45, 47, 10; D21/369, 385;
15/236.01-236.08, 143.1, 159.1, 160, 111;
30/164.9, 169, 128; D4/118, 132, 134; 7/105,
7/158; 56/400.05

See application file for complete search history.

(56) **References Cited**

U.S. PATENT DOCUMENTS

964,453	A	7/1910	Robarge	
2,535,253	A	12/1950	Anderson	
3,691,743	A	9/1972	Browning	
D235,119	S *	5/1975	Gode	D4/118
D270,971	S *	10/1983	Stevens et al.	D4/132
5,123,138	A *	6/1992	Flamm	15/111
D355,075	S *	2/1995	Stone	D4/118
D361,182	S *	8/1995	Ellul	D32/42
D366,738	S *	1/1996	Israel	D32/42

D378,322	S *	3/1997	Young	D4/118
5,606,761	A	3/1997	Lynch	
D397,591	S *	9/1998	Susini, III	D32/41
D397,875	S *	9/1998	Barrett	D4/132
5,915,794	A	6/1999	Neff	
D431,101	S	9/2000	Gracy	
D553,921	S *	10/2007	Melady	D8/10
7,464,432	B2 *	12/2008	Goller	30/169
D617,158	S *	6/2010	Smith	D8/10
D620,658	S *	7/2010	Johnson	D32/46

* cited by examiner

Primary Examiner — David G Muller

(57) **CLAIM**

The ornamental design for a hand held scraper, as shown and described.

DESCRIPTION

FIG. 1 is a perspective view of a hand held scraper showing my new design;

FIG. 2 is a front view thereof;

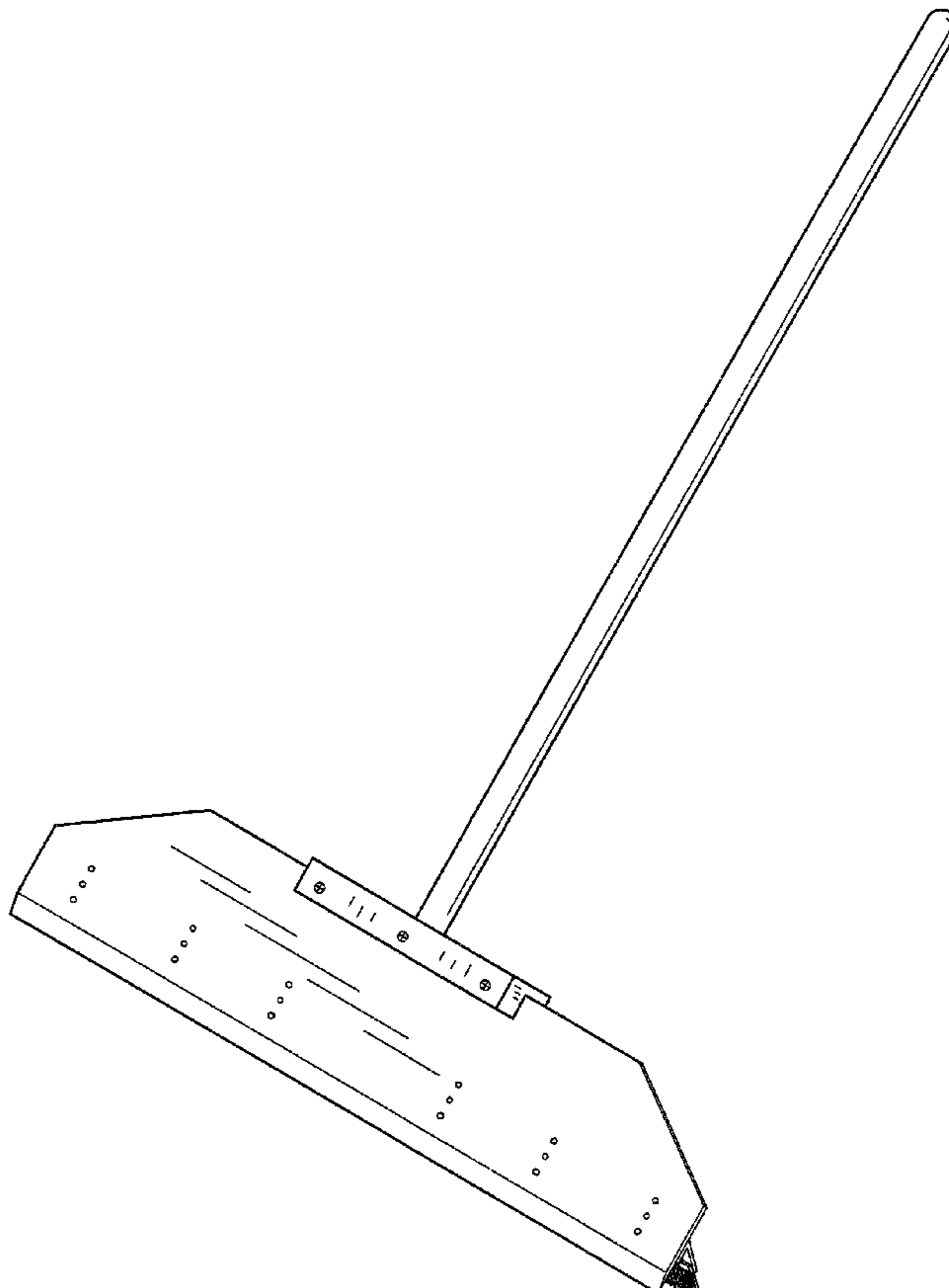
FIG. 3 is a back view thereof;

FIG. 4 is a side view thereof, the opposite side being a mirror image;

FIG. 5 is a top view thereof; and,

FIG. 6 is a bottom view thereof.

1 Claim, 4 Drawing Sheets



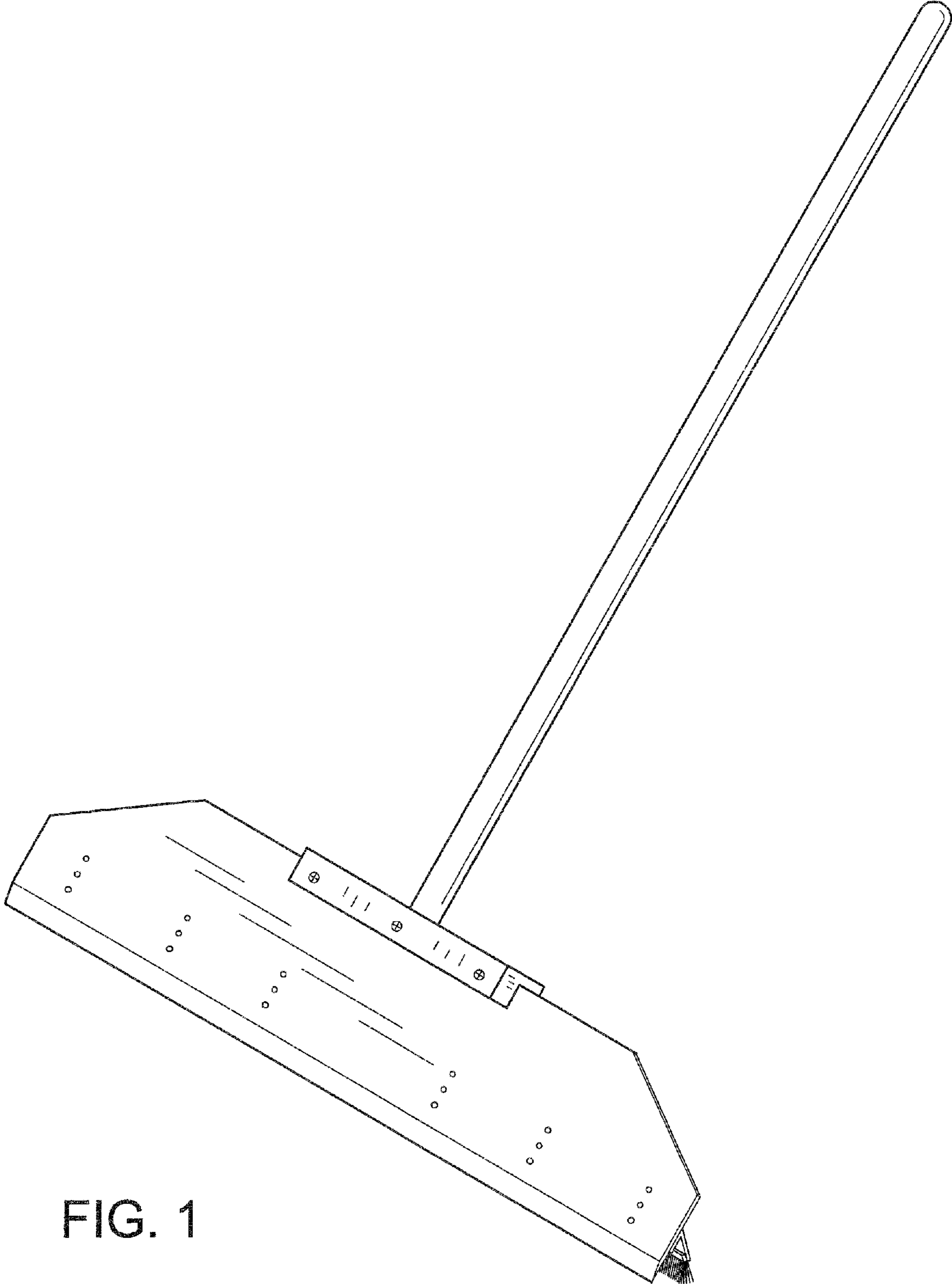


FIG. 1

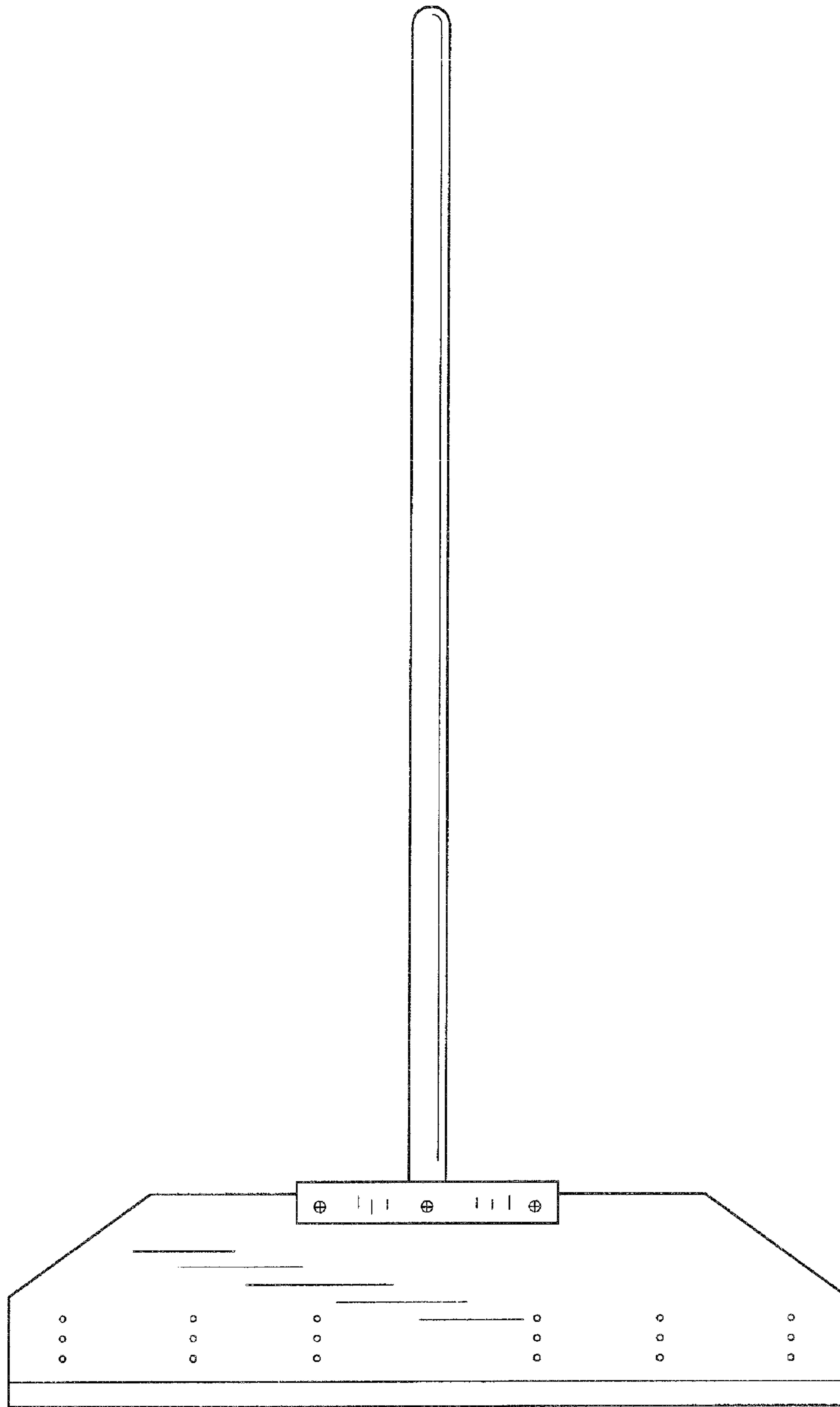


FIG. 2

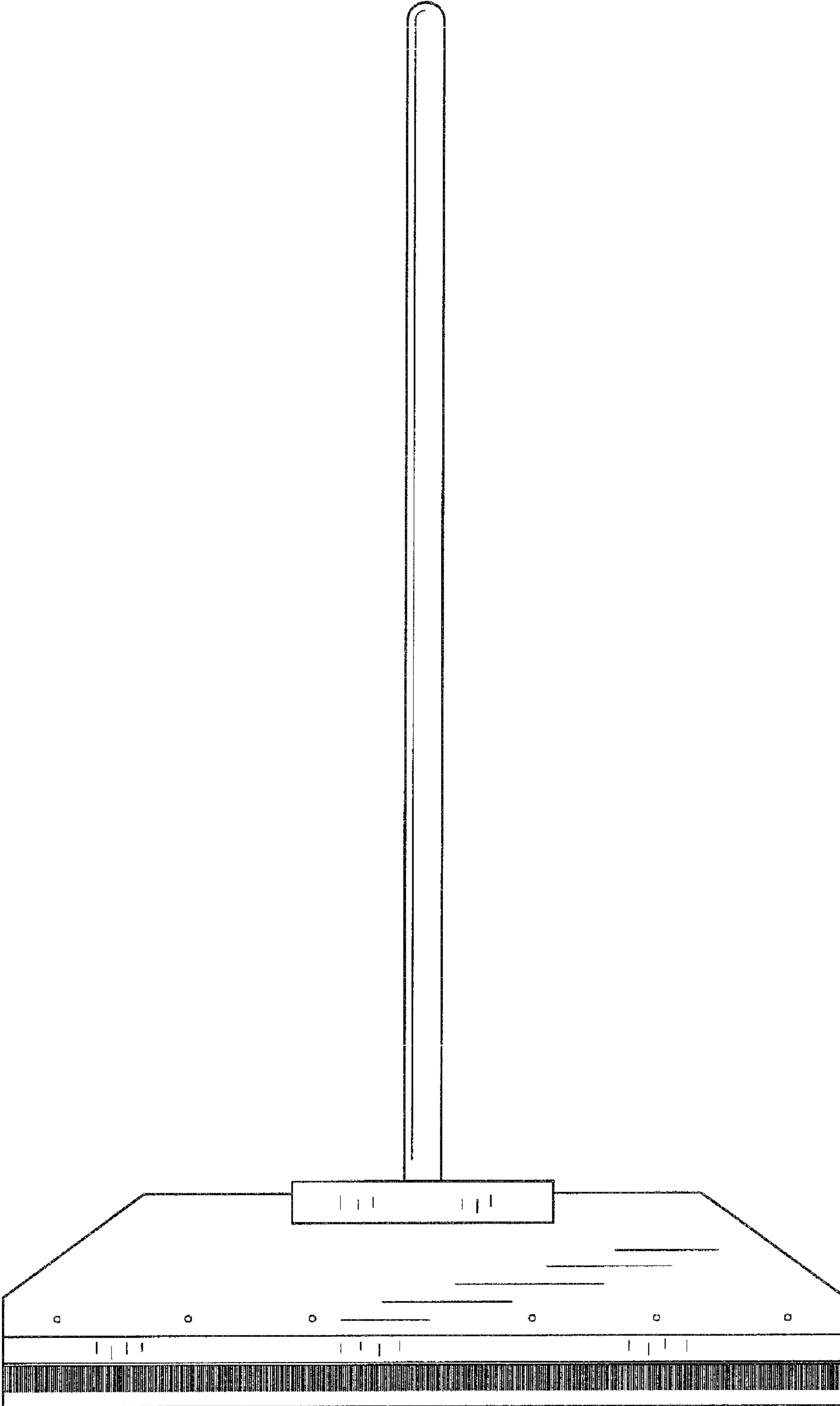


FIG. 3

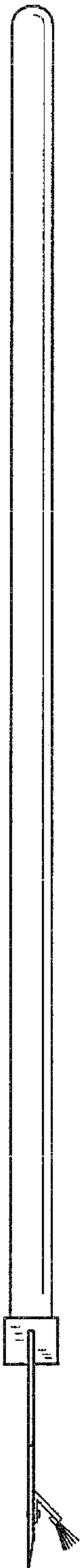


FIG. 4



FIG. 5



FIG. 6