



US00D636547S

(12) **United States Design Patent**
Moore, Jr.

(10) **Patent No.:** **US D636,547 S**
(45) **Date of Patent:** **** Apr. 19, 2011**

(54) **VACUUM**

- (75) Inventor: **James E. Moore, Jr.**, Las Vegas, NV (US)
- (73) Assignee: **J.S. Products, Inc.**, Las Vegas, NV (US)
- (**) Term: **14 Years**
- (21) Appl. No.: **29/315,264**
- (22) Filed: **Jun. 8, 2009**
- (51) **LOC (9) Cl.** **15-05**
- (52) **U.S. Cl.** **D32/24**
- (58) **Field of Classification Search** D32/17-18, D32/21, 23-24, 31; 15/327, 1, 327.2, 327.4-327.7, 15/344, 353, 320-321, 412
See application file for complete search history.

(56) **References Cited**

U.S. PATENT DOCUMENTS

D173,441 S *	11/1954	Lambert	D32/24
D183,192 S *	7/1958	Andersson-Sason et al.	..	D32/24
D206,574 S *	1/1967	Cook	D32/24
D212,710 S *	11/1968	Mango et al.	D32/21
D219,752 S *	1/1971	Gantz	D32/18
D261,267 S *	10/1981	Hug	D32/21
4,910,828 A	3/1990	Blase et al.		
D315,041 S	2/1991	Bradd		
D325,451 S	4/1992	Pino		
D328,818 S	8/1992	Hanna et al.		
D378,874 S	4/1997	Dickinson et al.		
D386,842 S *	11/1997	Hoshino et al.	D32/21
5,799,362 A *	9/1998	Huffman	15/321
D404,916 S	2/1999	Dickinson et al.		
5,887,715 A	3/1999	Vasudeva		
D417,956 S	12/1999	Story et al.		
D424,297 S	5/2000	Story et al.		
D434,225 S	11/2000	Story et al.		
D453,624 S	2/2002	Itzkovitch		
D493,034 S	7/2004	Bar-Erez		
D496,764 S *	9/2004	Lopano	D32/21
D505,011 S	5/2005	Einav		
7,017,740 B2	3/2006	Itzkovitch		
D525,789 S	8/2006	Hosking		
D527,181 S	8/2006	Henning et al.		
D537,581 S *	2/2007	Zimmerle et al.	D32/21
D558,410 S *	12/2007	Hill et al.	D32/21

OTHER PUBLICATIONS

Just Tools; Dewalt Vacuum #DC500-XE, 2 pages, www.justtools.com.au/prod4544.htm, Jun. 17, 2008.
 Milwaukee Electric Tool—News & Events—Press Release—Index, Milwaukee Introduces New Cordless Wet/Dry Vacuum, 2 pages, Feb. 29, 2008.
 Home Depot; Ridgid 4.5 Gal. Pro-Pack Wet/Dry Vac—WD4550, http://www.homedepot.com, 1 page, May 21, 2008.

* cited by examiner

Primary Examiner — Ruth McInroy

(74) *Attorney, Agent, or Firm* — Weide & Miller, Ltd.

(57) **CLAIM**

The ornamental design for a vacuum, as shown and described.

DESCRIPTION

FIG. 1 is a front isometric view of a vacuum showing the handle is in a raised position;
 FIG. 2 is a rear view of FIG. 1;
 FIG. 3 is a front view of FIG. 1;
 FIG. 4 is a first end view of FIG. 1;
 FIG. 5 is a second end view of FIG. 1;
 FIG. 6 is a top view of FIG. 1;
 FIG. 7 is a bottom view of FIG. 1;
 FIG. 8 is a rear view of a second embodiment of the vacuum without a cord wrap;
 FIG. 9 is a front isometric view of the first embodiment showing the handle in a lowered position;
 FIG. 10 is a rear view of FIG. 9;
 FIG. 11 is a front view of FIG. 9;
 FIG. 12 is a first end view of FIG. 9;
 FIG. 13 is a second end view of FIG. 9;
 FIG. 14 is a top view of FIG. 9;
 FIG. 15 is a bottom view of FIG. 9; and,
 FIG. 16 is a rear view of the second embodiment showing the handle in a lowered position.
 The detail shown in broken lines are for illustrative purposes only and form no part of the claimed design.

1 Claim, 10 Drawing Sheets

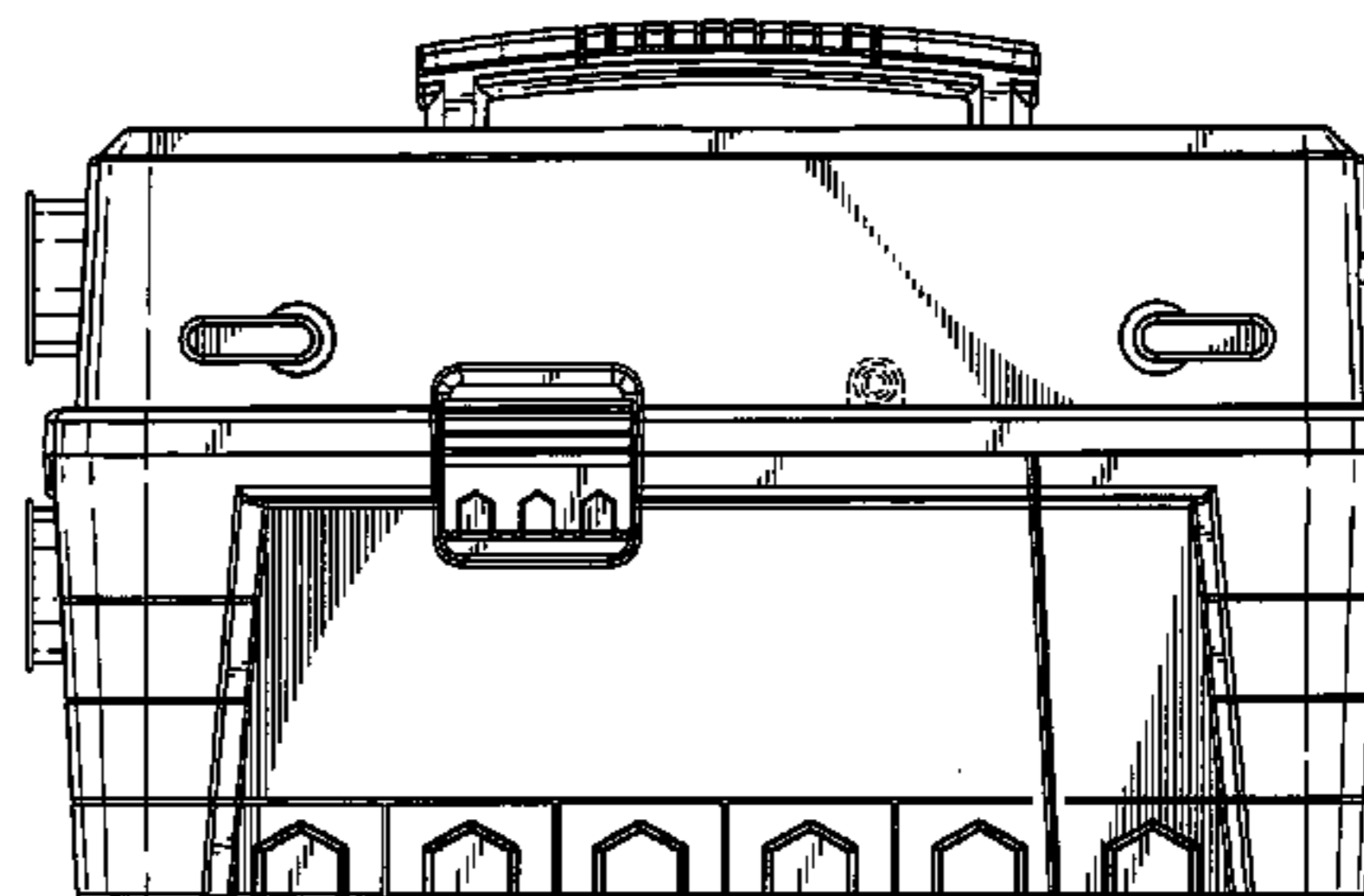
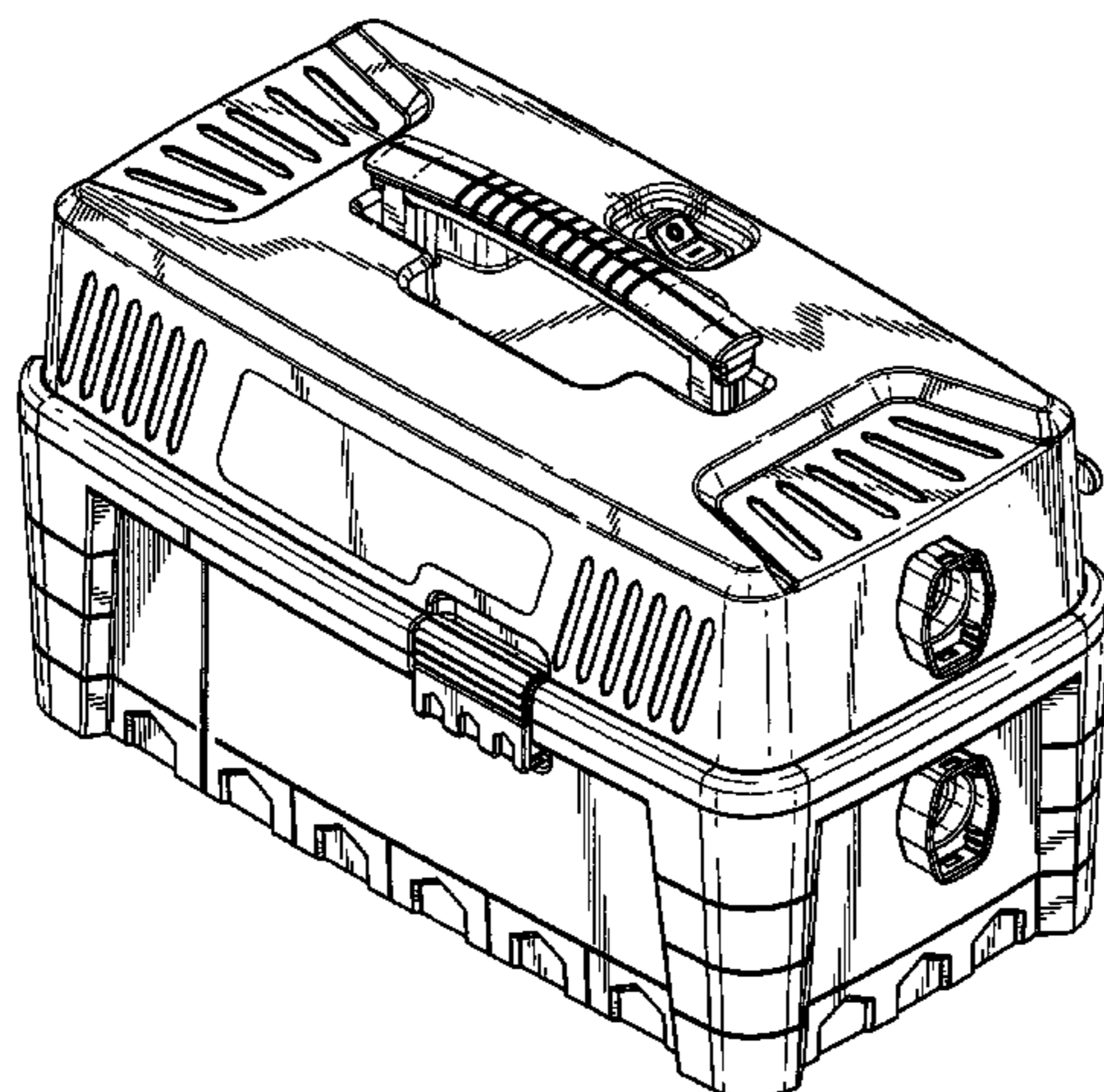


FIG. 1

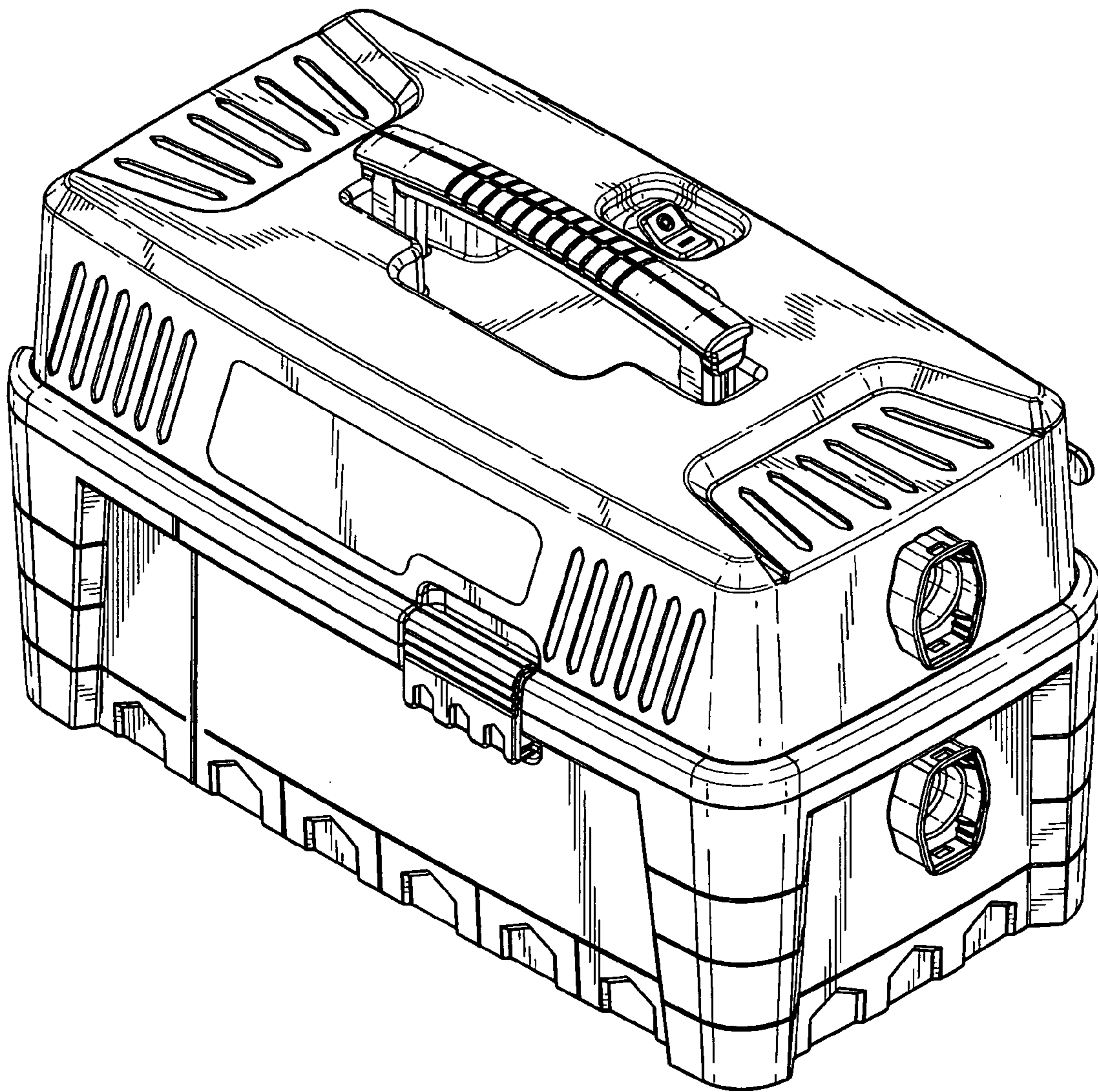


FIG. 2

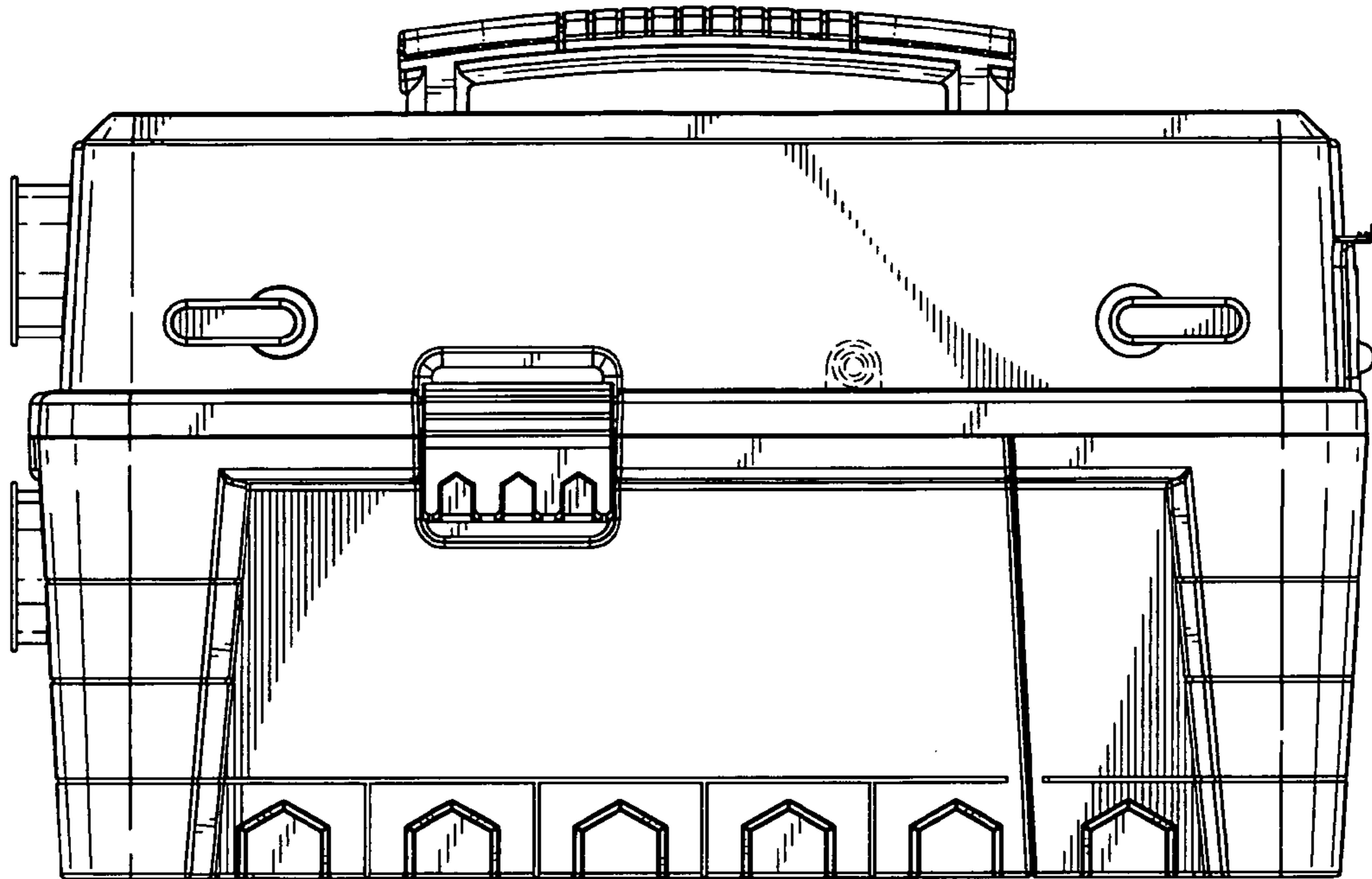


FIG. 3

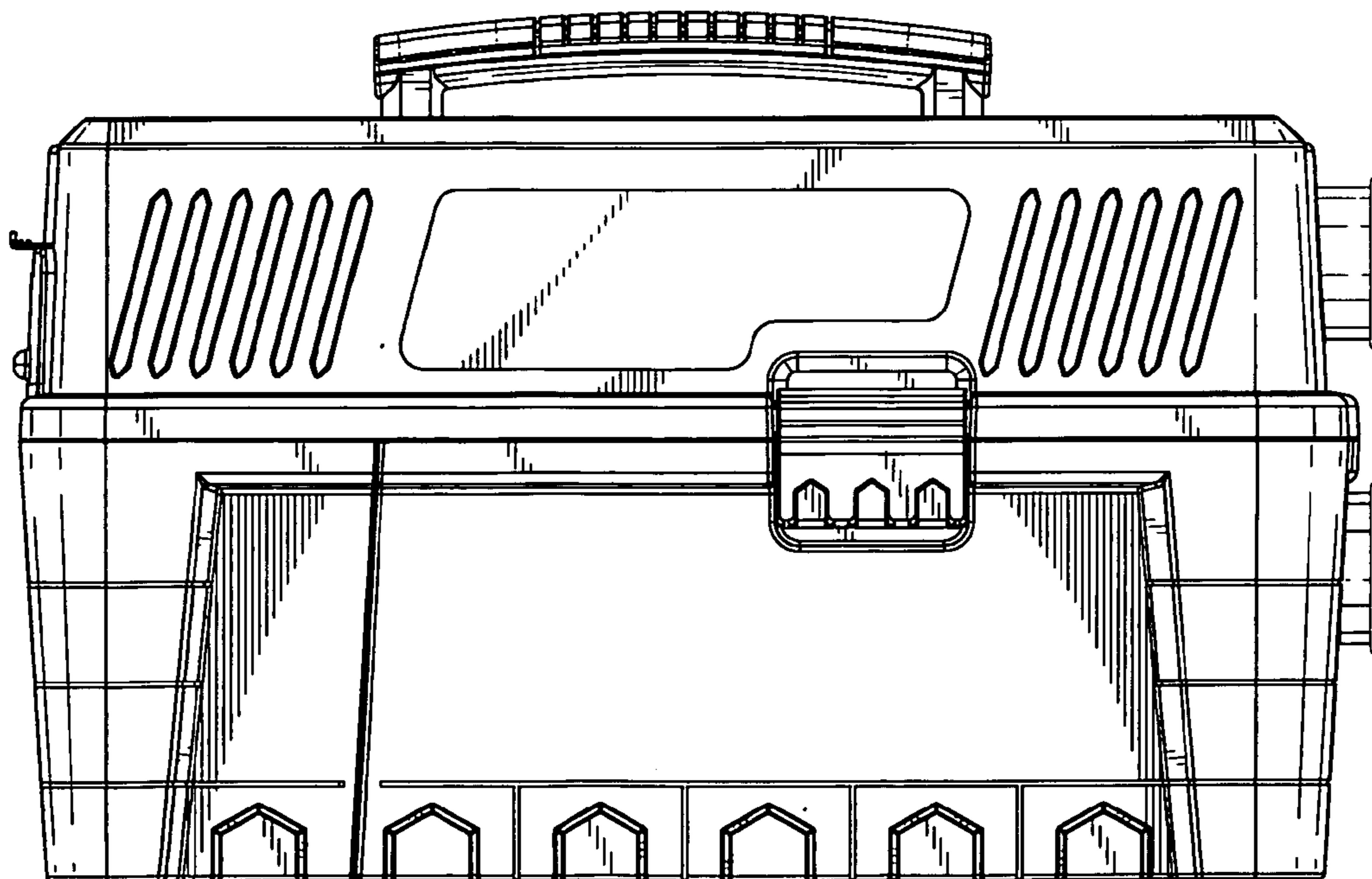


FIG. 4

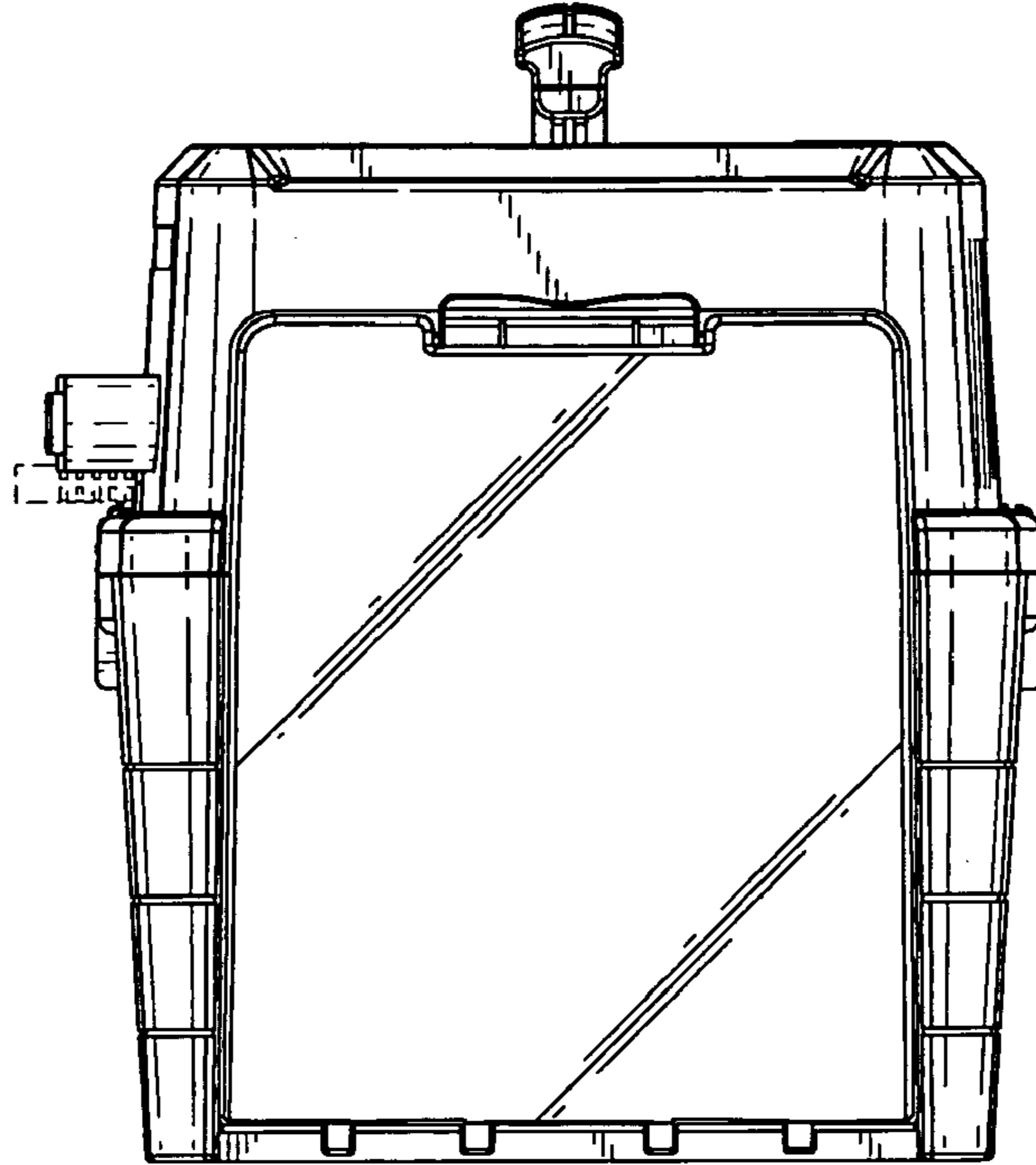


FIG. 5

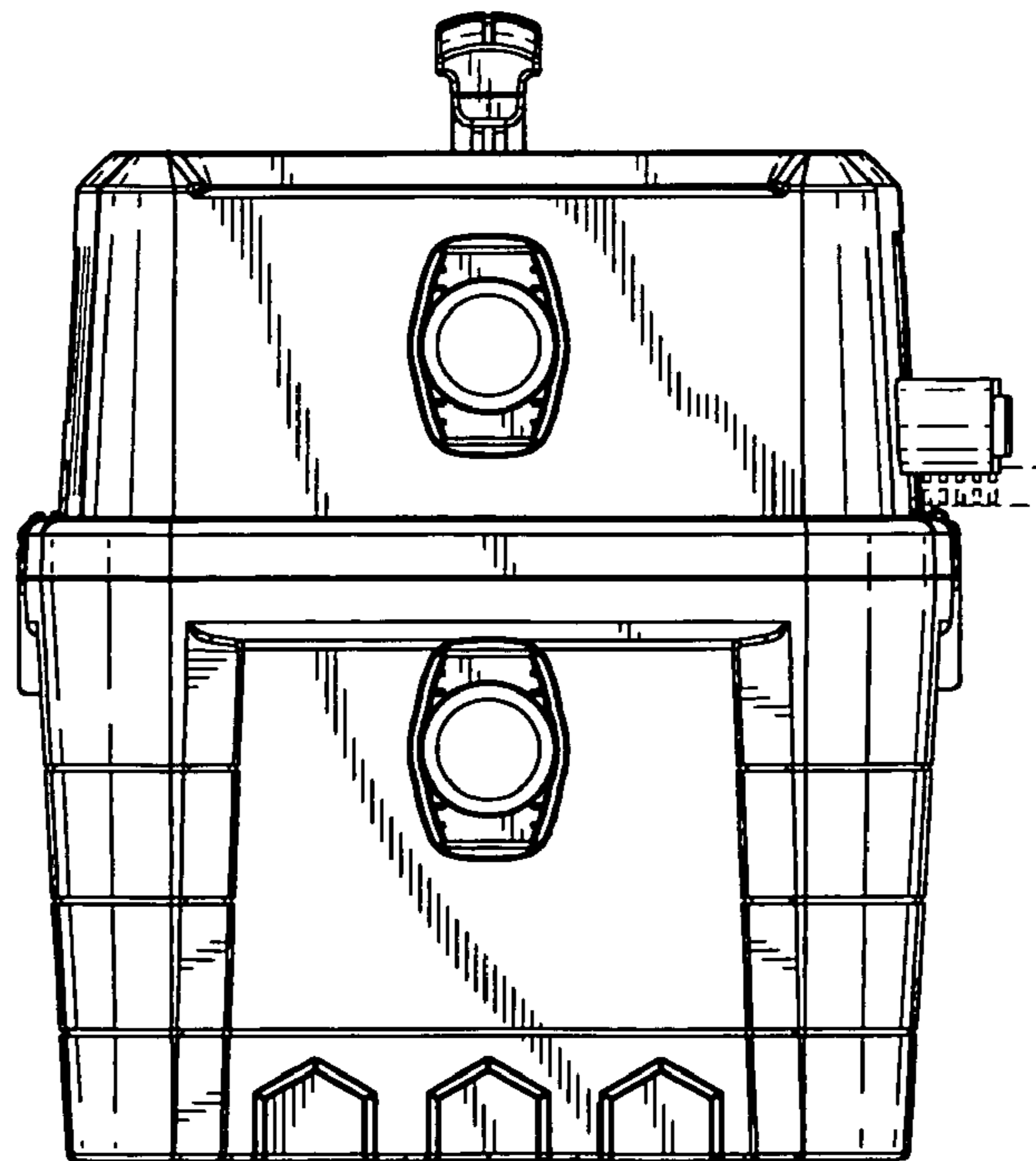


FIG. 6

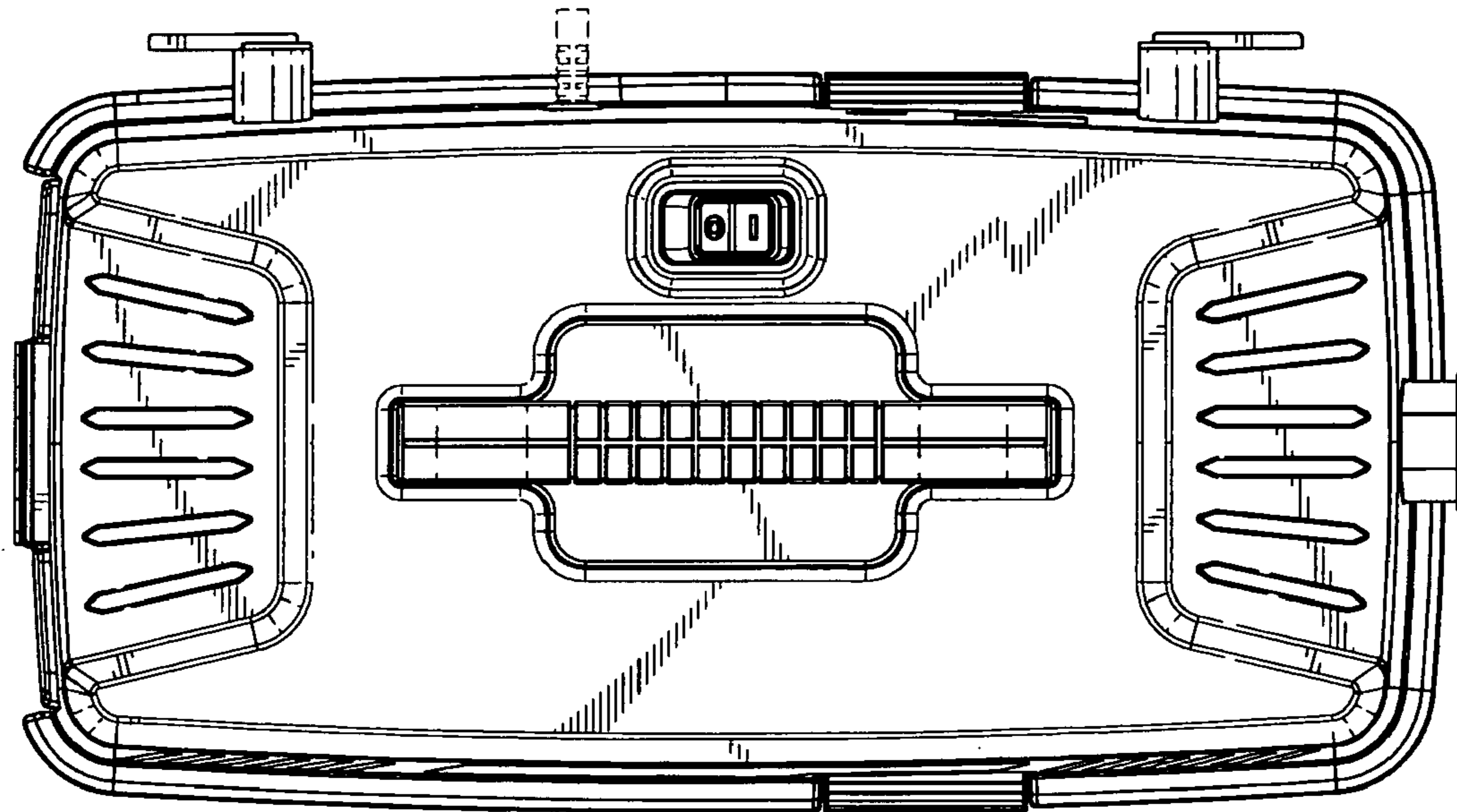


FIG. 7

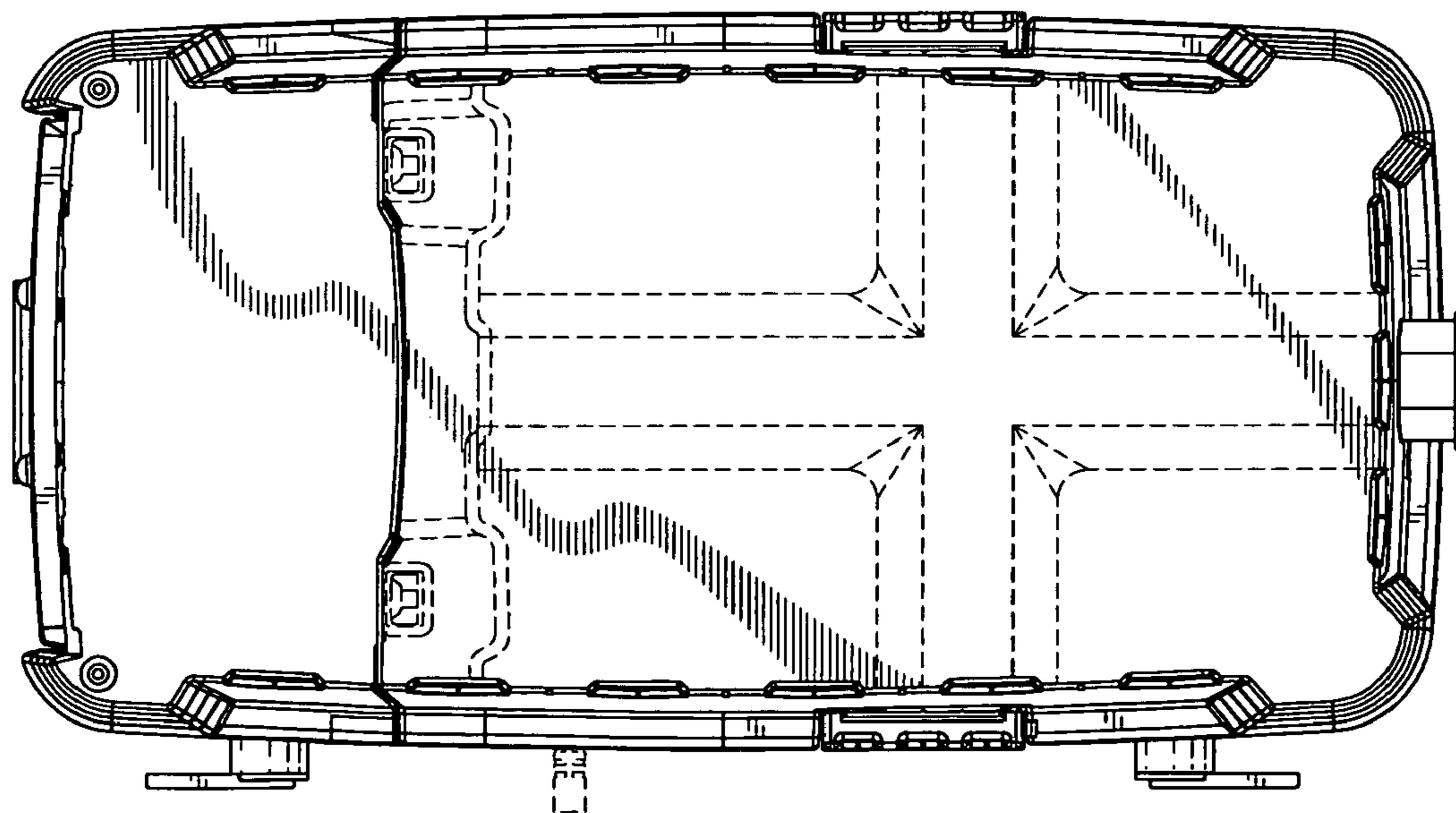


FIG. 8

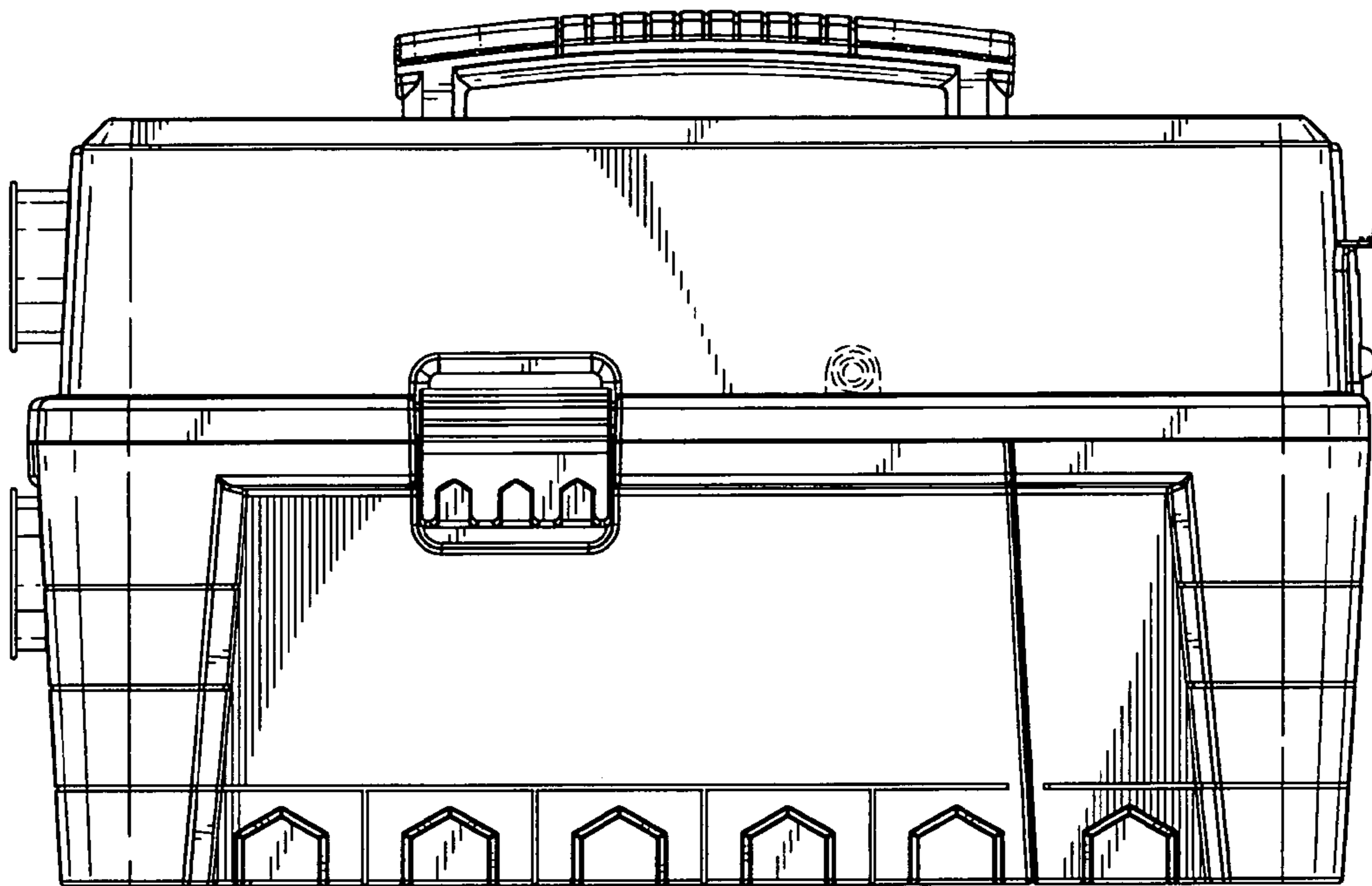


FIG. 9

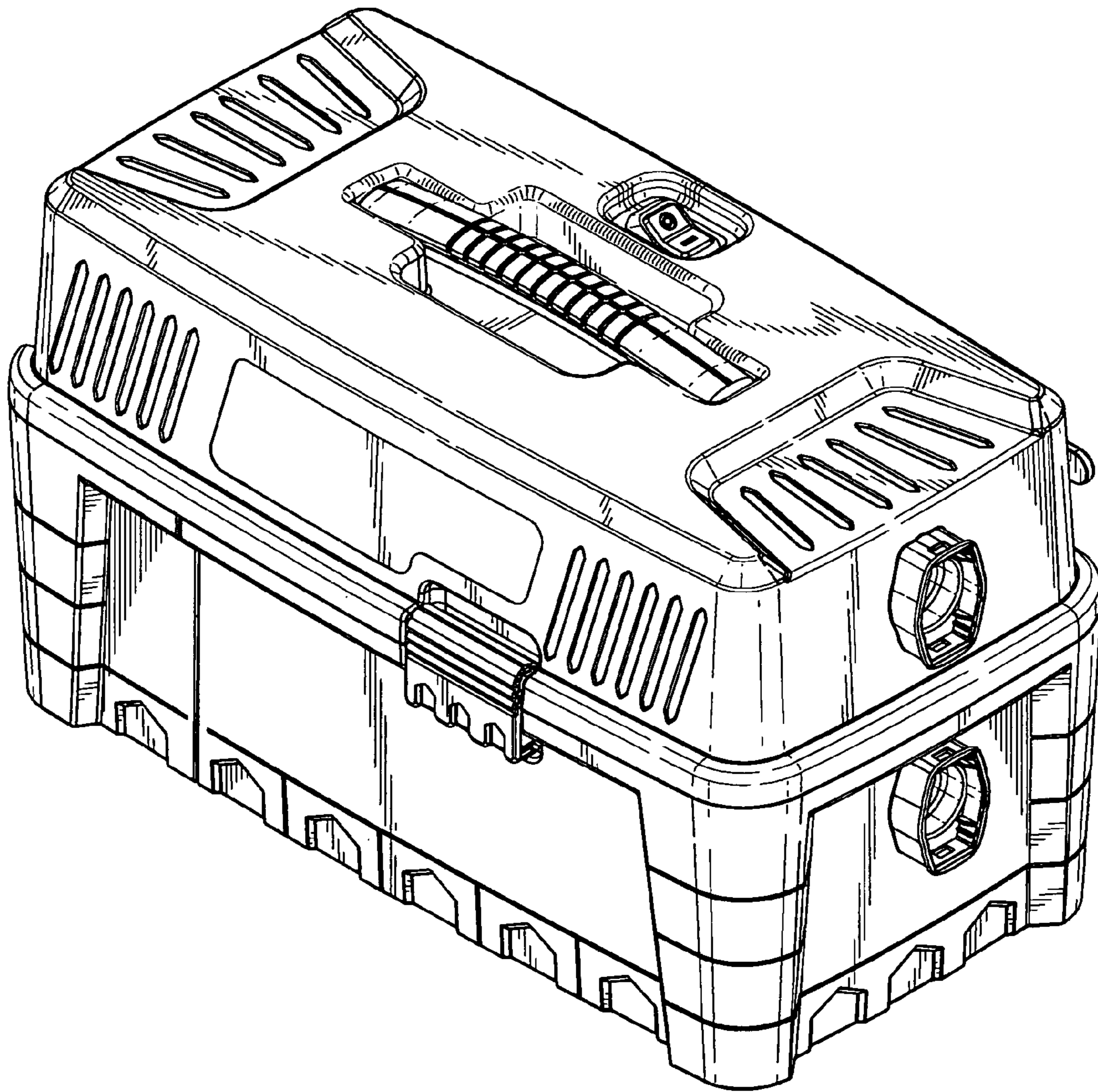


FIG. 10

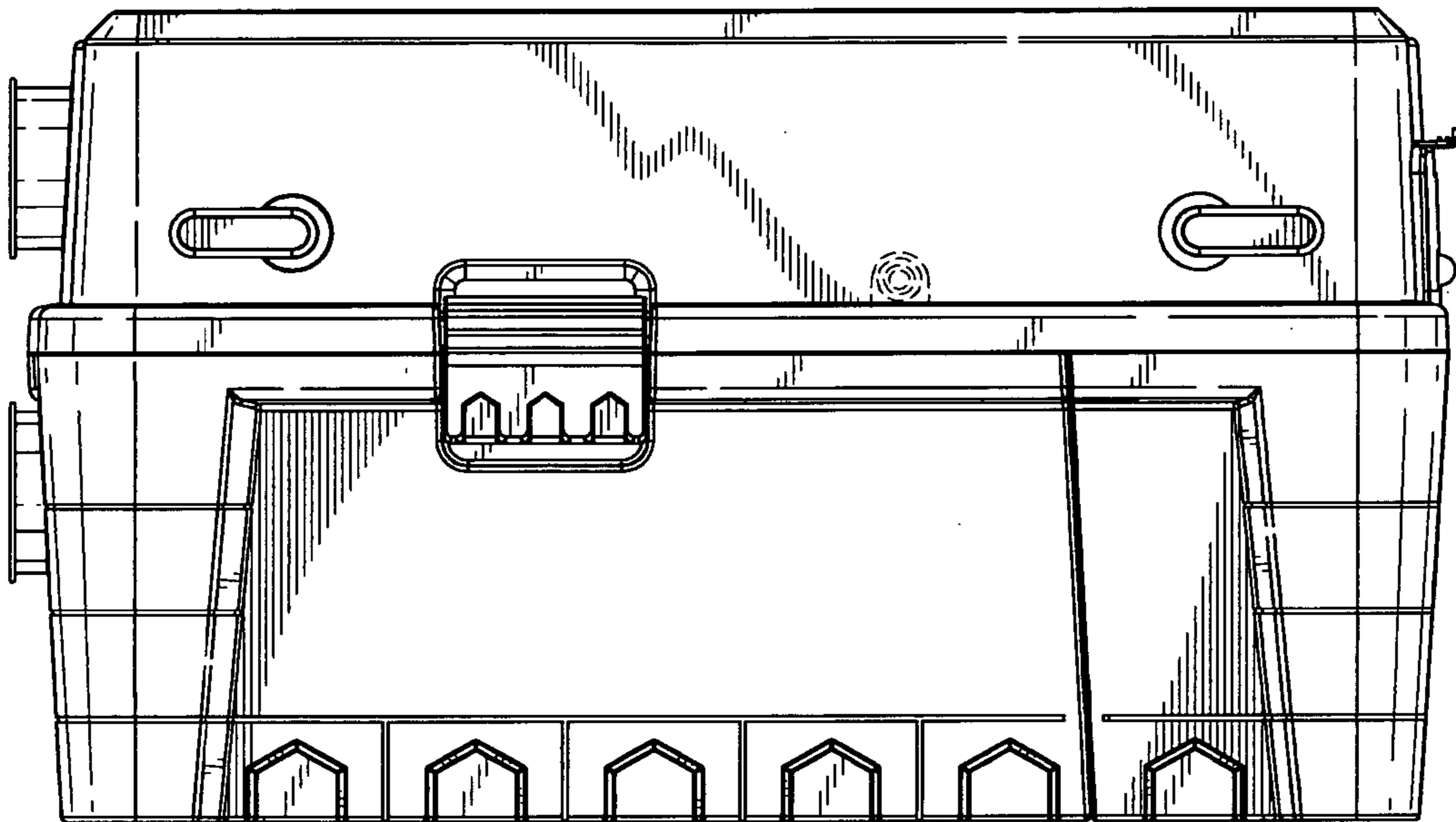


FIG. 11

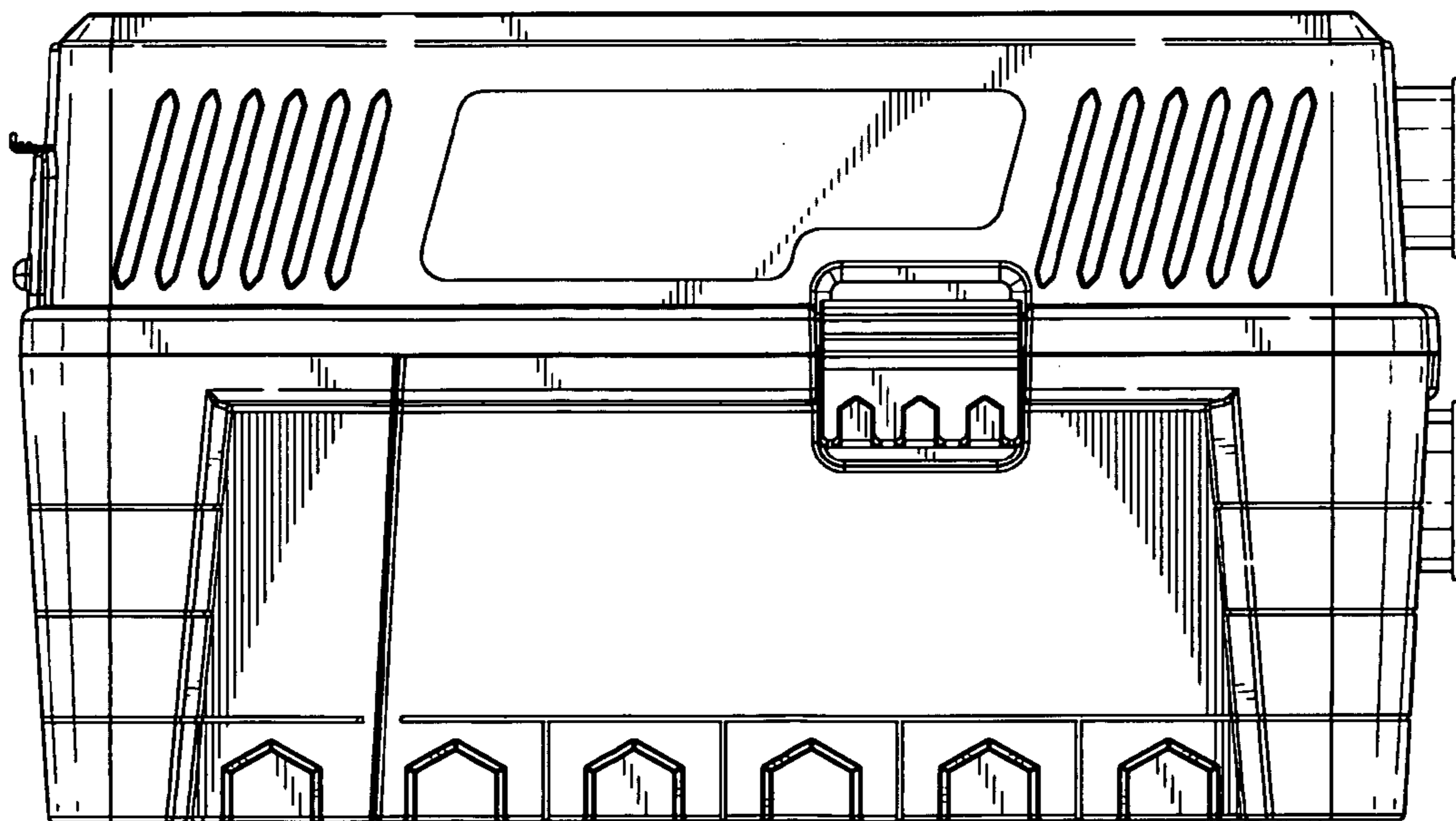


FIG. 12

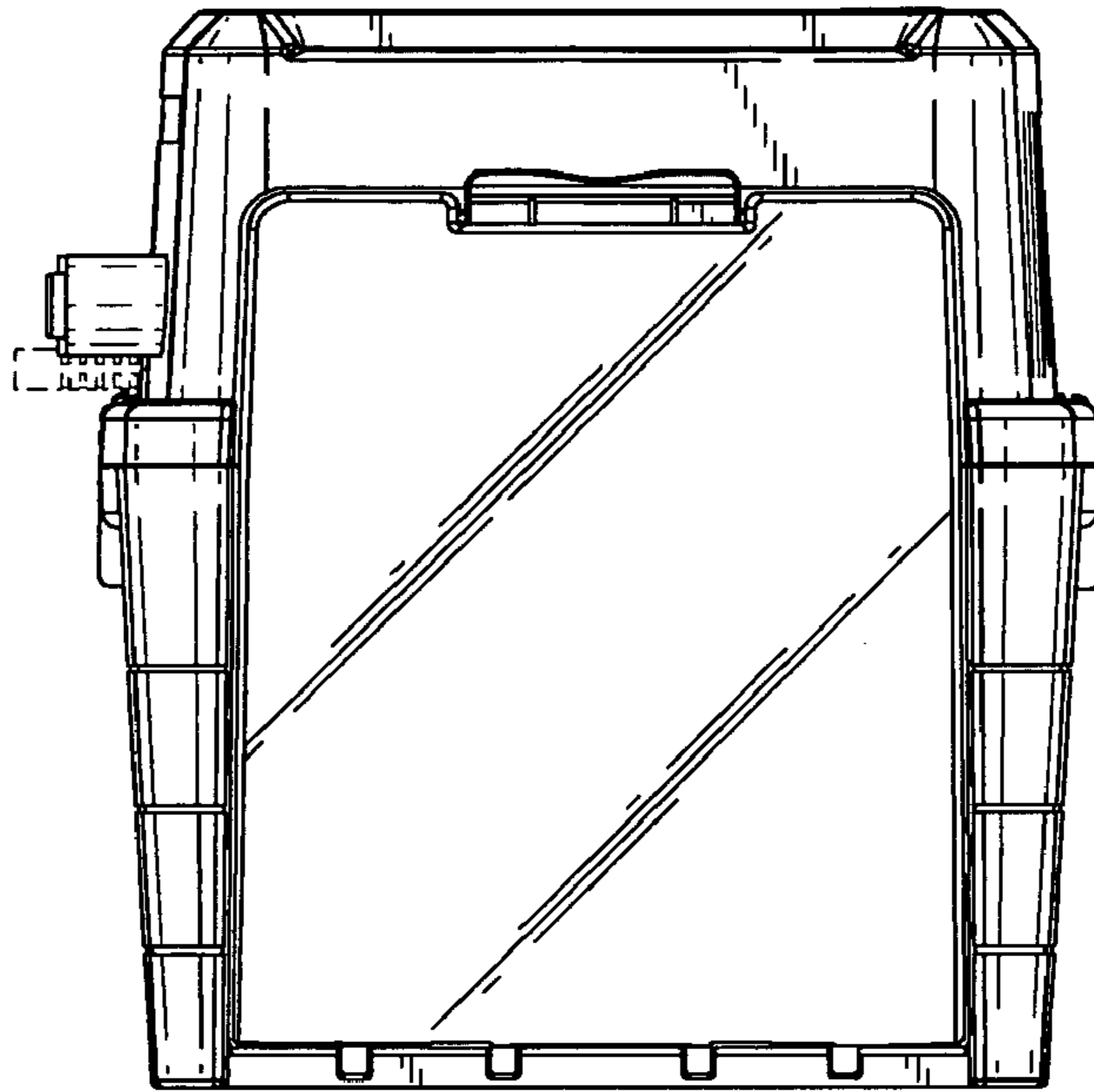


FIG. 13

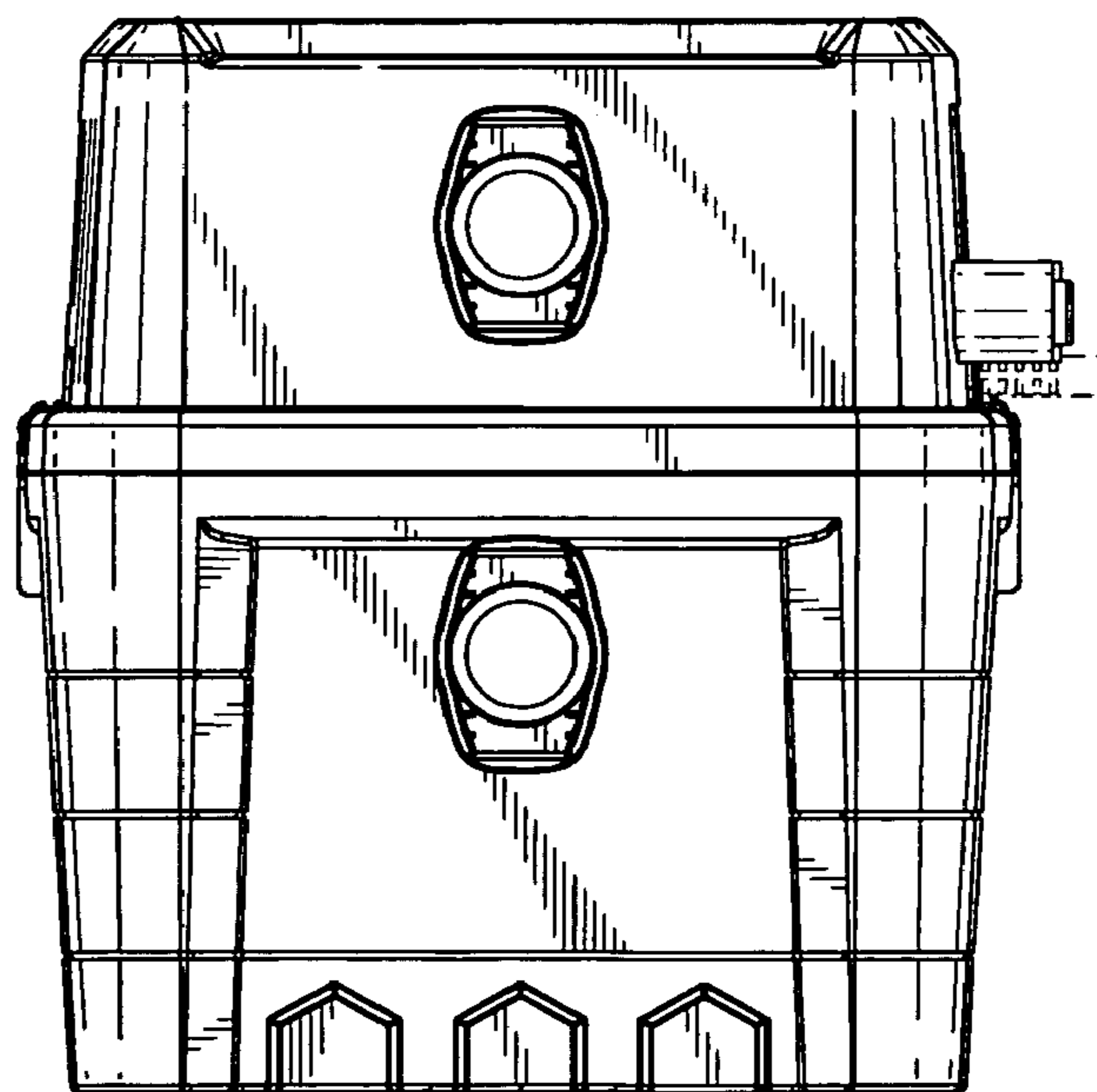


FIG. 14

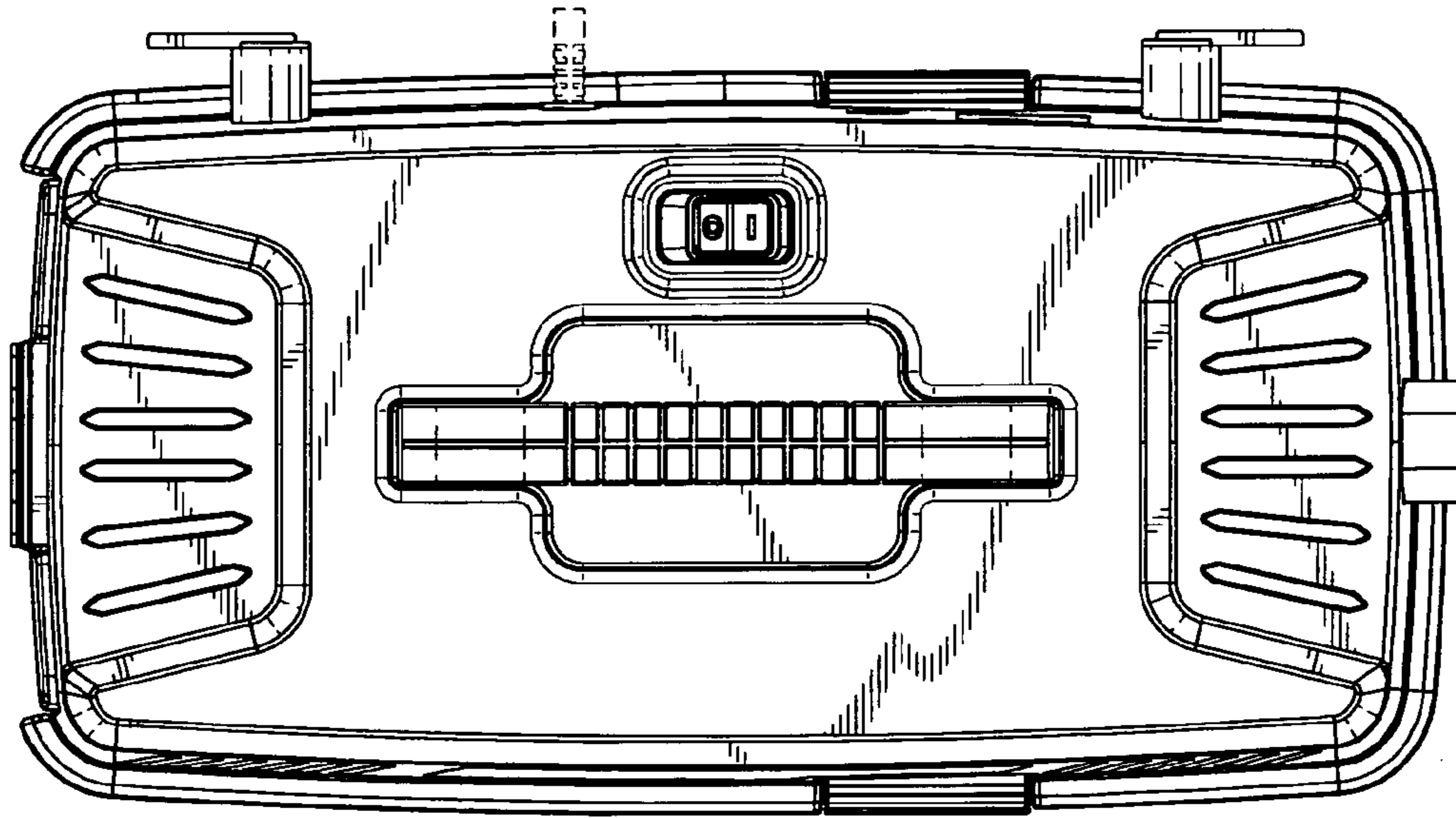


FIG. 15

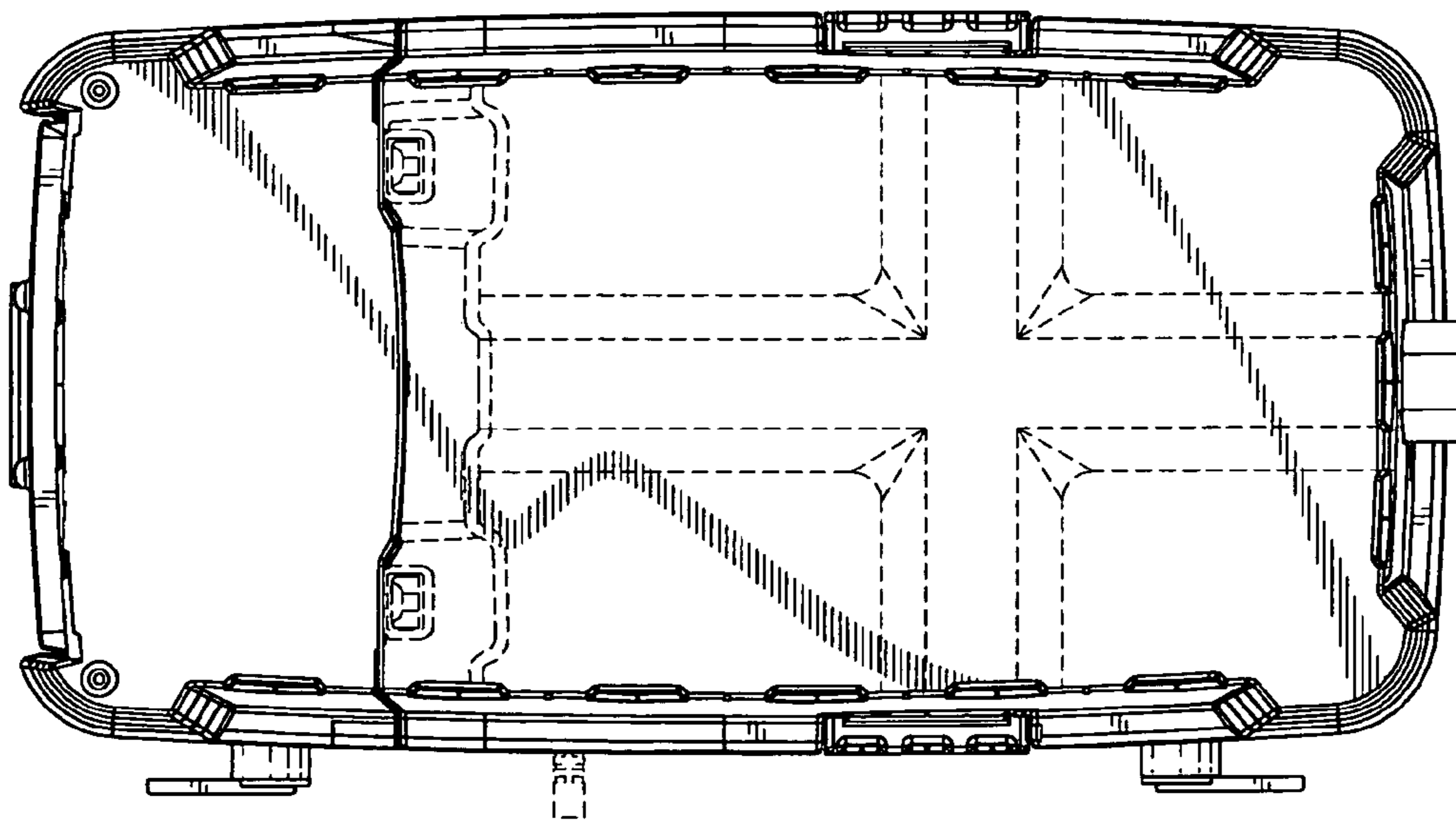


FIG. 16

