

US00D636545S

(12) **United States Design Patent**  
**Lawson et al.**

(10) **Patent No.:** **US D636,545 S**  
(45) **Date of Patent:** **\*\* Apr. 19, 2011**

(54) **CAT LITTER PAN**  
(75) Inventors: **Thomas Michael Lawson**, Rogers, AR (US); **Erin Elizabeth McCracken**, Bentonville, AR (US); **Christopher Eugene Chance**, Bella Vista, AR (US)  
(73) Assignee: **Stout Stuff, LLC**, Bentonville, AR (US)  
(\*\*) Term: **14 Years**

(21) Appl. No.: **29/364,918**  
(22) Filed: **Jun. 30, 2010**  
(51) **LOC (9) Cl.** ..... **30-99**  
(52) **U.S. Cl.** ..... **D30/161**  
(58) **Field of Classification Search** ..... D30/161;  
119/161, 163-170  
See application file for complete search history.

(56) **References Cited**

U.S. PATENT DOCUMENTS

3,310,031	A	3/1967	Lowe, Jr.	
3,771,493	A *	11/1973	Chandor	119/170
D274,757	S	7/1984	Beaty, Sr.	
4,505,226	A	3/1985	Carlson	
4,539,935	A *	9/1985	Meyer	119/28.5
4,766,845	A	8/1988	Bavas	
D300,965	S	5/1989	Conner	
D300,966	S	5/1989	Conner	
D300,967	S	5/1989	Conner	
D300,968	S	5/1989	Conner	
5,218,930	A *	6/1993	Casmira	119/165
5,402,751	A	4/1995	De La Chevrotiere	
D388,560	S	12/1997	Savicki	
6,223,688	B1	5/2001	Engel	
D455,239	S	4/2002	McLaughlin	
6,401,660	B1	6/2002	Wolff	
D502,576	S	3/2005	Miller et al.	
D513,817	S	1/2006	Miller et al.	
D528,252	S	9/2006	Van Skiver et al.	
7,150,242	B2	12/2006	Schuster et al.	

7,380,519	B2 *	6/2008	Ikegami et al.	119/167
D579,158	S	10/2008	Gillis et al.	
D591,463	S *	4/2009	Plante	D30/161
D605,369	S *	12/2009	Petersen	D30/161
D608,959	S *	1/2010	Kim	D30/161
D612,113	S *	3/2010	Petersen	D30/161
2003/0188690	A1	10/2003	Zabik	
2005/0211179	A1 *	9/2005	Lewis, II	119/168
2007/0277740	A1	12/2007	Delman et al.	
2009/0000558	A1	1/2009	Matsuo et al.	
2009/0260578	A1 *	10/2009	Yamamoto et al.	119/166
2009/0301923	A1 *	12/2009	Van Puijenbroek	206/518

FOREIGN PATENT DOCUMENTS

WO WO2009024793 2/2009  
\* cited by examiner

*Primary Examiner* — Cathy Anne MacCormac  
(74) *Attorney, Agent, or Firm* — Larkin Hoffman Daly & Lindgren Ltd.; Thomas J. Oppold

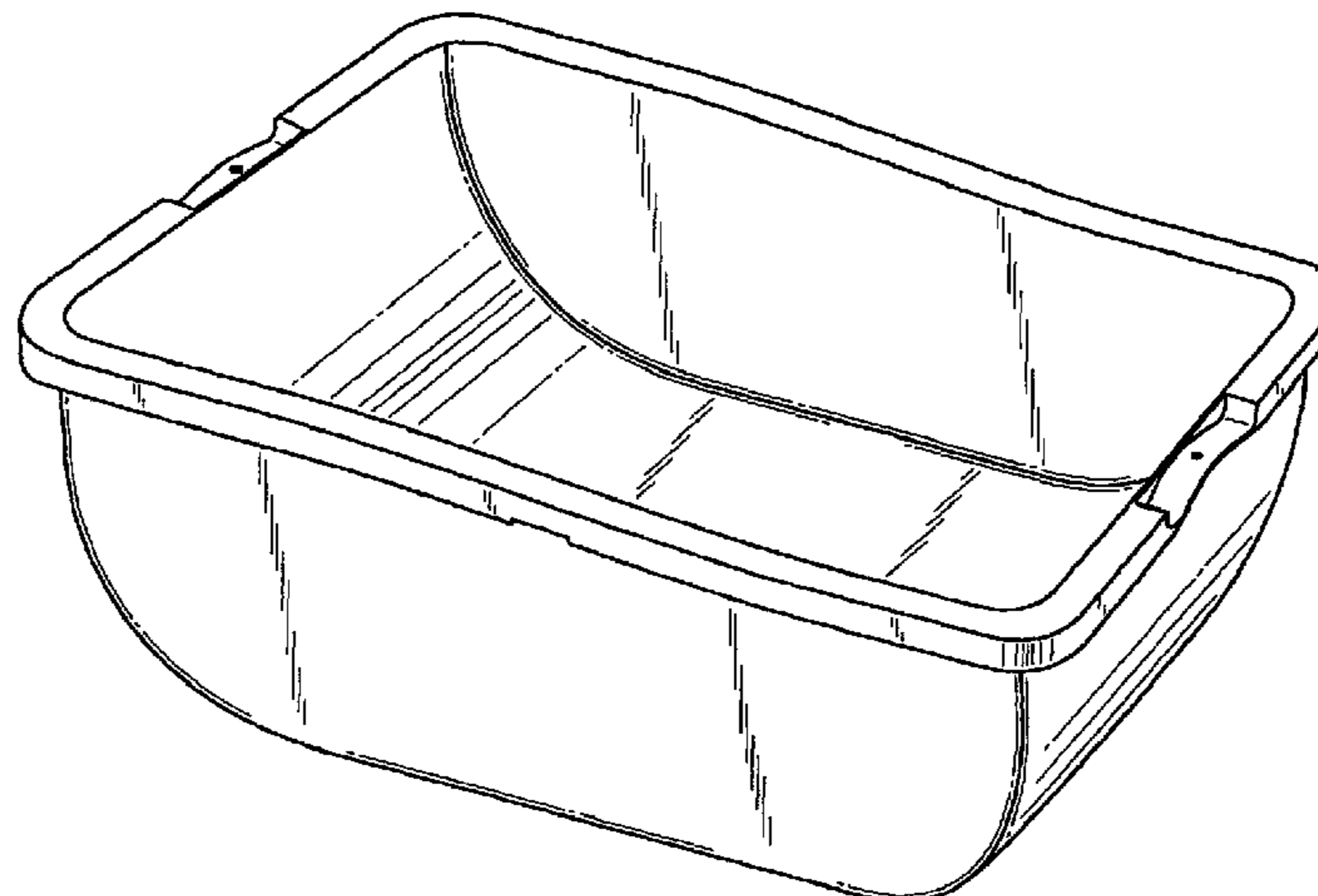
(57) **CLAIM**

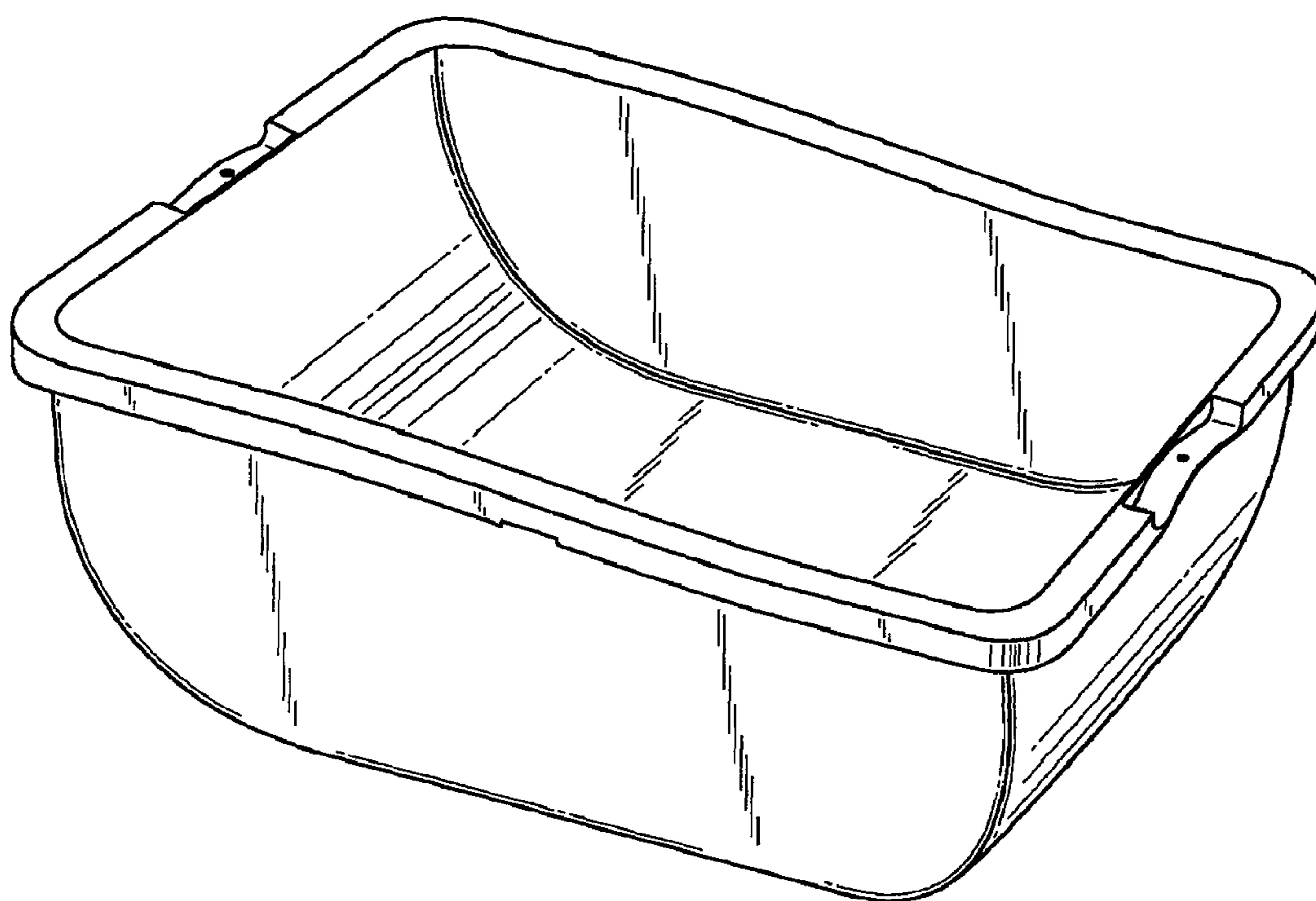
The ornamental design of a cat litter pan, as shown and described.

**DESCRIPTION**

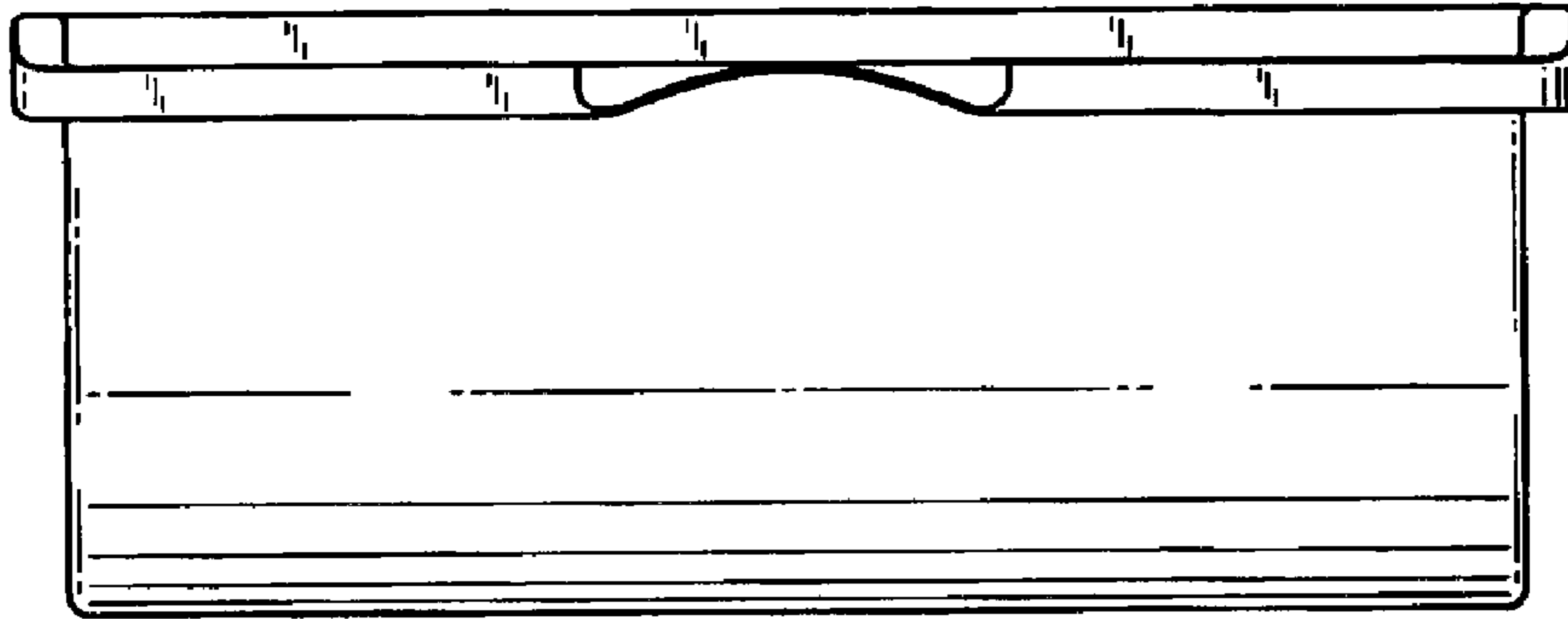
FIG. 1 is a front perspective view of the cat litter pan of the present design.  
FIG. 2 is a front elevation view of the cat litter pan of FIG. 1.  
FIG. 3 is a rear elevation view of the cat litter pan of FIG. 1.  
FIG. 4 is a left side elevation view of the cat litter pan of FIG. 1.  
FIG. 5 is a right side elevation view of the cat litter pan of FIG. 1.  
FIG. 6 is a top plan view of the cat litter pan of FIG. 1; and, FIG. 7 is a bottom plan view of the cat litter pan of FIG. 1.  
The broken lines showing the structural reinforcement ribs on the bottom surface of the cat litter pan form no part of the claimed design.

**1 Claim, 4 Drawing Sheets**

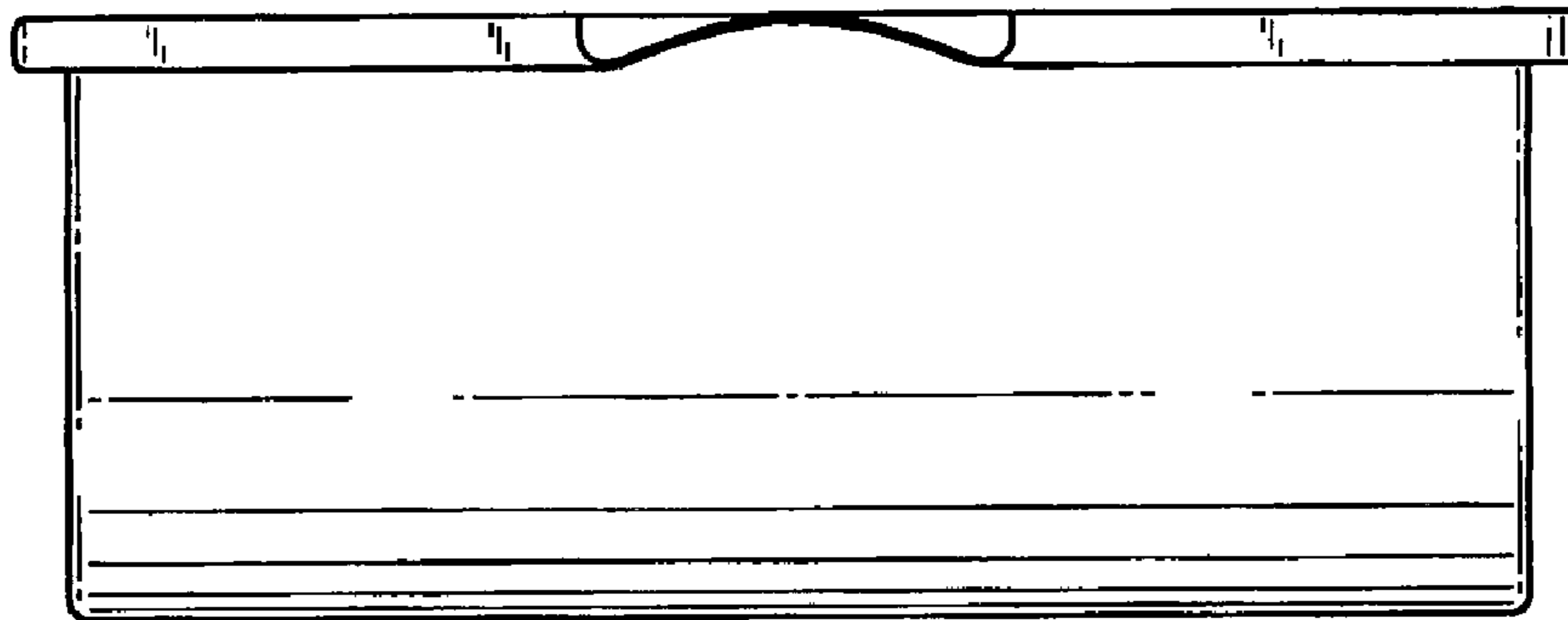




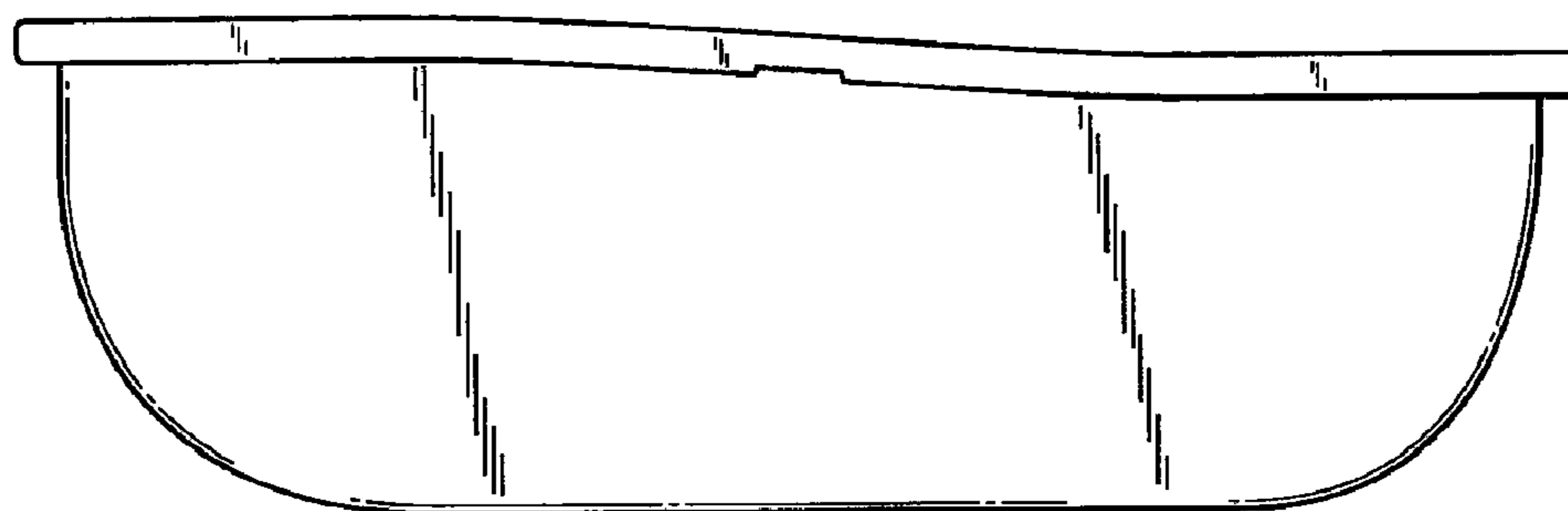
**Fig. 1**



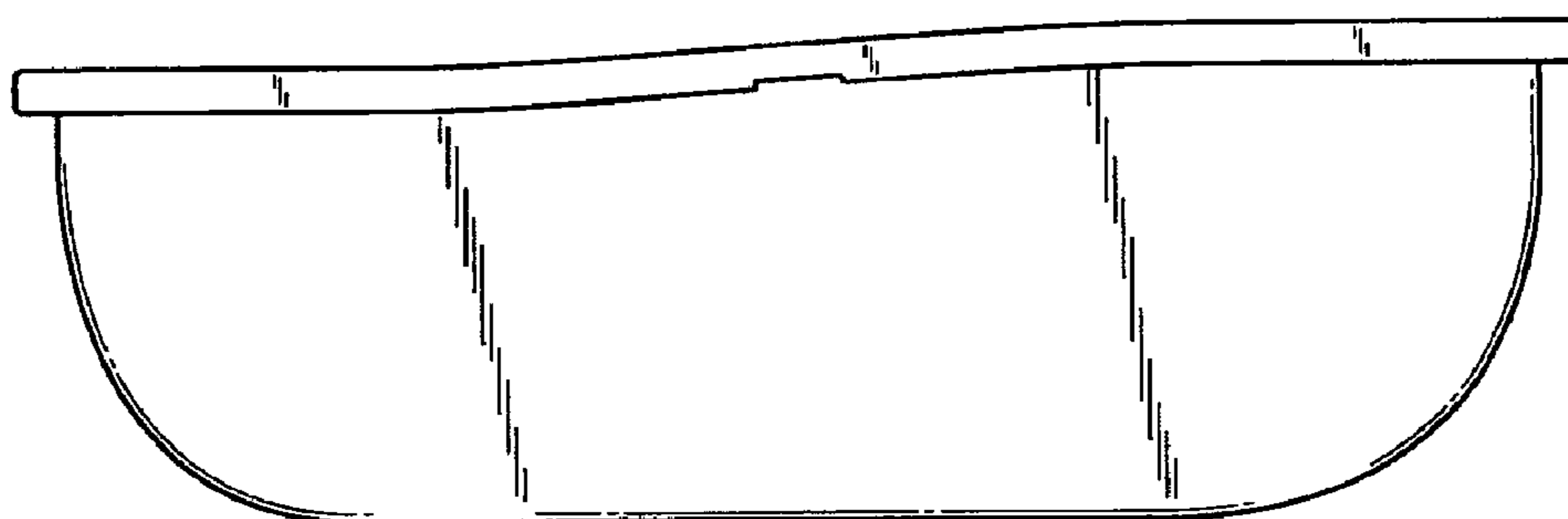
**Fig. 2**



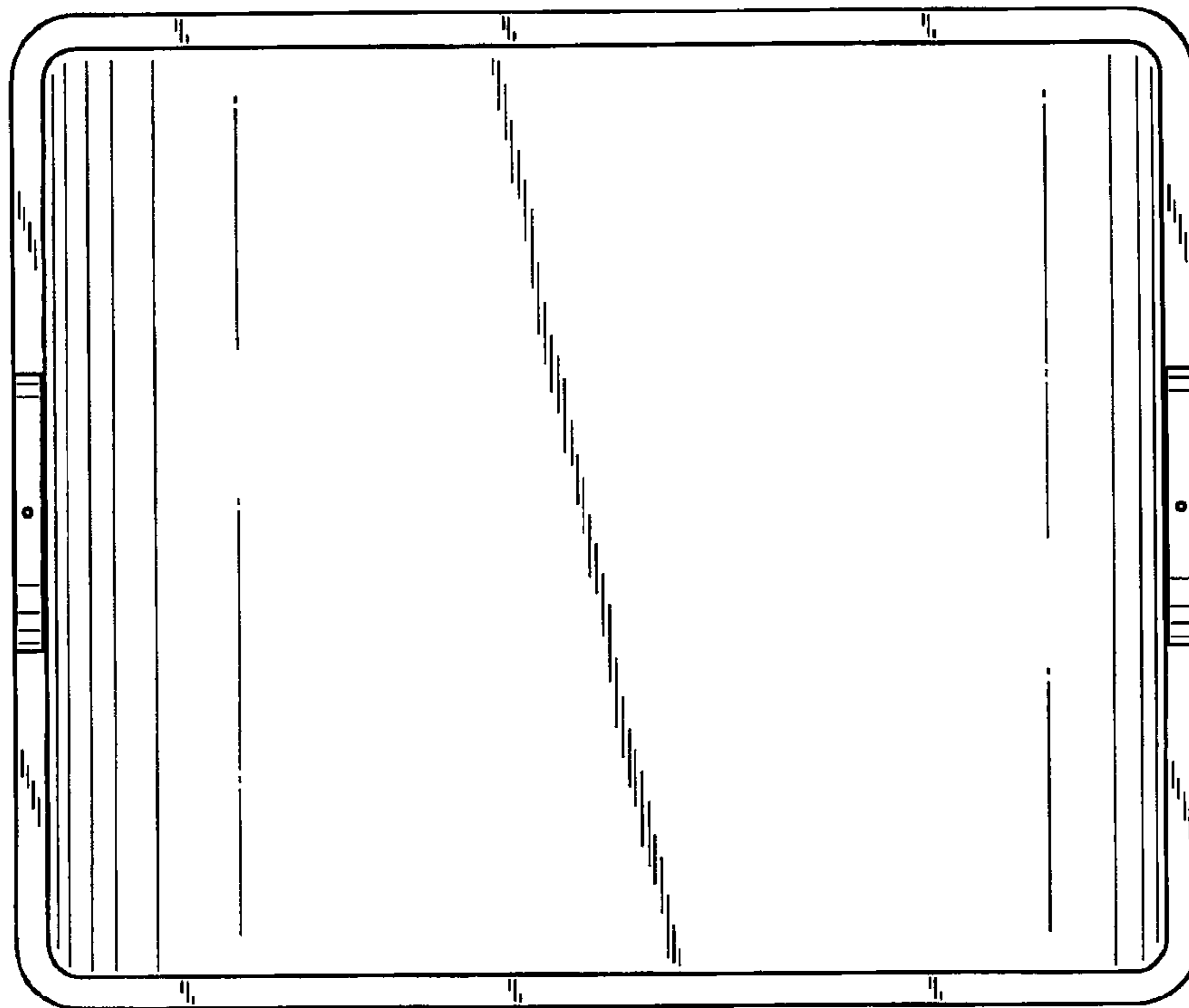
**Fig. 3**



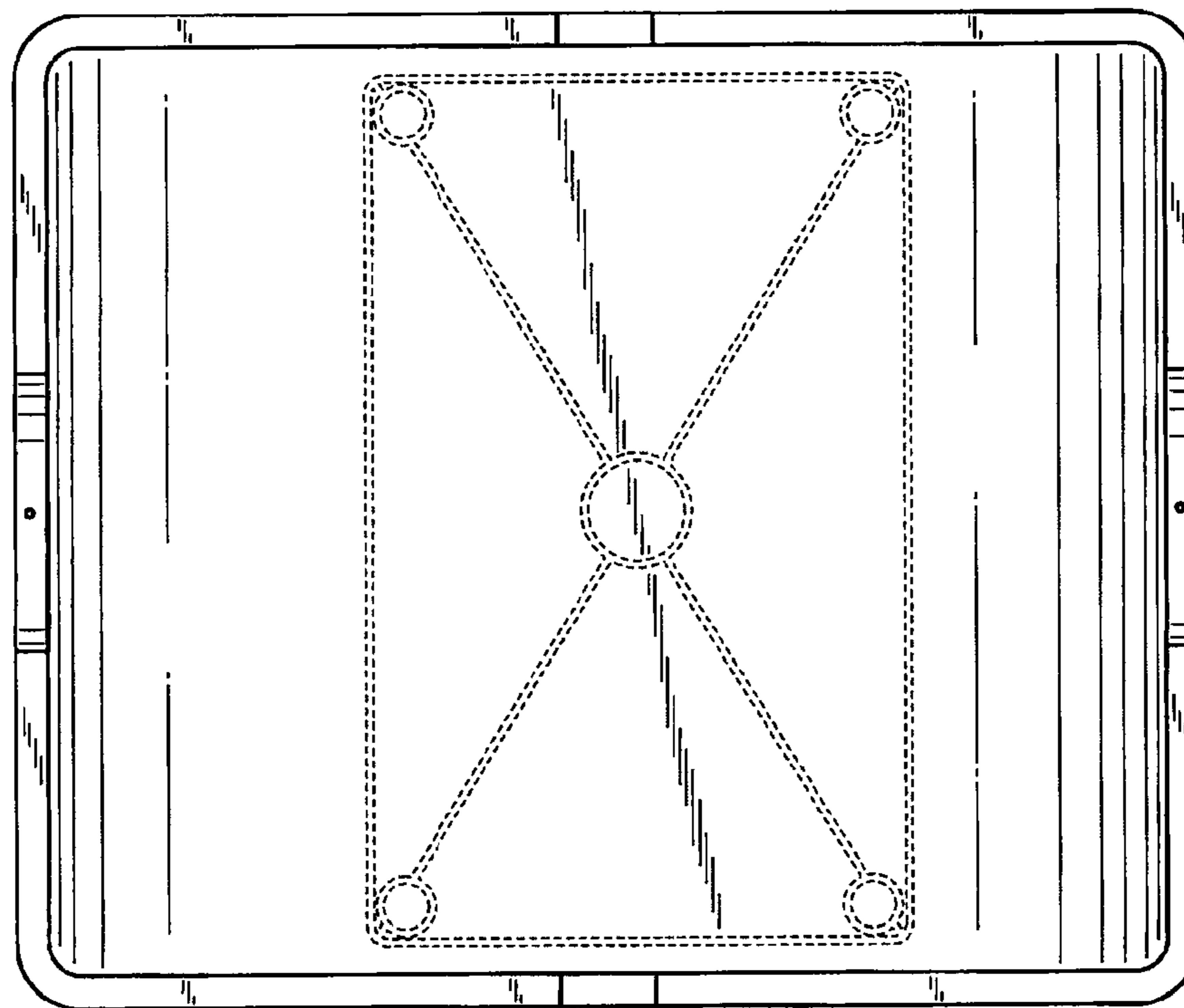
**Fig. 4**



**Fig. 5**



**Fig. 6**



**Fig. 7**