



US00D636538S

(12) **United States Design Patent**  
**Ragonetti et al.**

(10) **Patent No.:** **US D636,538 S**

(45) **Date of Patent:** **\*\* Apr. 19, 2011**

(54) **SMALL ANIMAL HABITAT**

(75) Inventors: **Peter Ragonetti**, Brooklyn, NY (US);  
**Ryan Rutherford**, Belville, NJ (US)

(73) Assignee: **J. W. Pet Company, Inc.**, Teterboro, NJ  
(US)

(\*\*) **Term:** **14 Years**

(21) **Appl. No.:** **29/363,347**

(22) **Filed:** **Jun. 8, 2010**

D246,914 S *	1/1978	Dinnerstein et al. ....	D30/112
4,386,787 A	6/1983	Maplethorpe et al.	
4,505,346 A	3/1985	Mueller	
4,735,173 A *	4/1988	Dubreuil .....	119/452
5,078,094 A	1/1992	Hoover	
5,092,269 A *	3/1992	Phillips et al. ....	119/452
D335,554 S	5/1993	Conner	
D347,913 S *	6/1994	Wellington et al. ....	D30/108
5,572,955 A	11/1996	Boshears	
D409,802 S *	5/1999	Baker et al. ....	D30/114
5,960,744 A *	10/1999	Rutman .....	119/498
6,067,939 A *	5/2000	Tominaga .....	119/500
6,074,305 A	6/2000	Schnapp	
D443,956 S *	6/2001	Rudnick .....	D30/108

(Continued)

**Related U.S. Application Data**

(63) Continuation-in-part of application No. 12/089,336,  
filed on Apr. 4, 2008, which is a continuation of  
application No. PCT/US2006/046080, filed on Dec. 1,  
2006.

(51) **LOC (9) Cl.** ..... **30-02**

(52) **U.S. Cl.** ..... **D30/108**

(58) **Field of Classification Search** ..... D30/108-113;  
119/452-153, 482, 496-498, 500-501, 700-706  
See application file for complete search history.

(56) **References Cited**

**U.S. PATENT DOCUMENTS**

80,561 A *	8/1868	Osborn .....	119/459
320,960 A	6/1885	Peirano	
620,415 A	2/1899	Campbell	
815,211 A	3/1906	Pattee et al.	
1,399,577 A	12/1921	Riehl	
2,499,470 A	3/1950	Duncan	
3,195,505 A *	7/1965	Hauth et al. ....	119/474
3,537,726 A	11/1970	Conover	
3,682,477 A	8/1972	Harkins	
3,718,342 A	2/1973	Freed	
D231,371 S *	4/1974	Willinger et al. ....	D30/108
D232,036 S *	7/1974	Willinger et al. ....	D30/108
3,869,119 A	3/1975	Oxley	
D235,111 S *	5/1975	Lovitz et al. ....	D30/108
4,027,626 A	6/1977	DeSousa	

**OTHER PUBLICATIONS**

International Search Report and Written Opinion of the International  
Searching Authority dated Oct. 7, 2008, from corresponding Inter-  
national Application No. PCT/US2006/046080.

(Continued)

*Primary Examiner* — Cathy Anne MacCormac

(74) *Attorney, Agent, or Firm* — Katten Muchin Rosenman  
LLP

(57) **CLAIM**

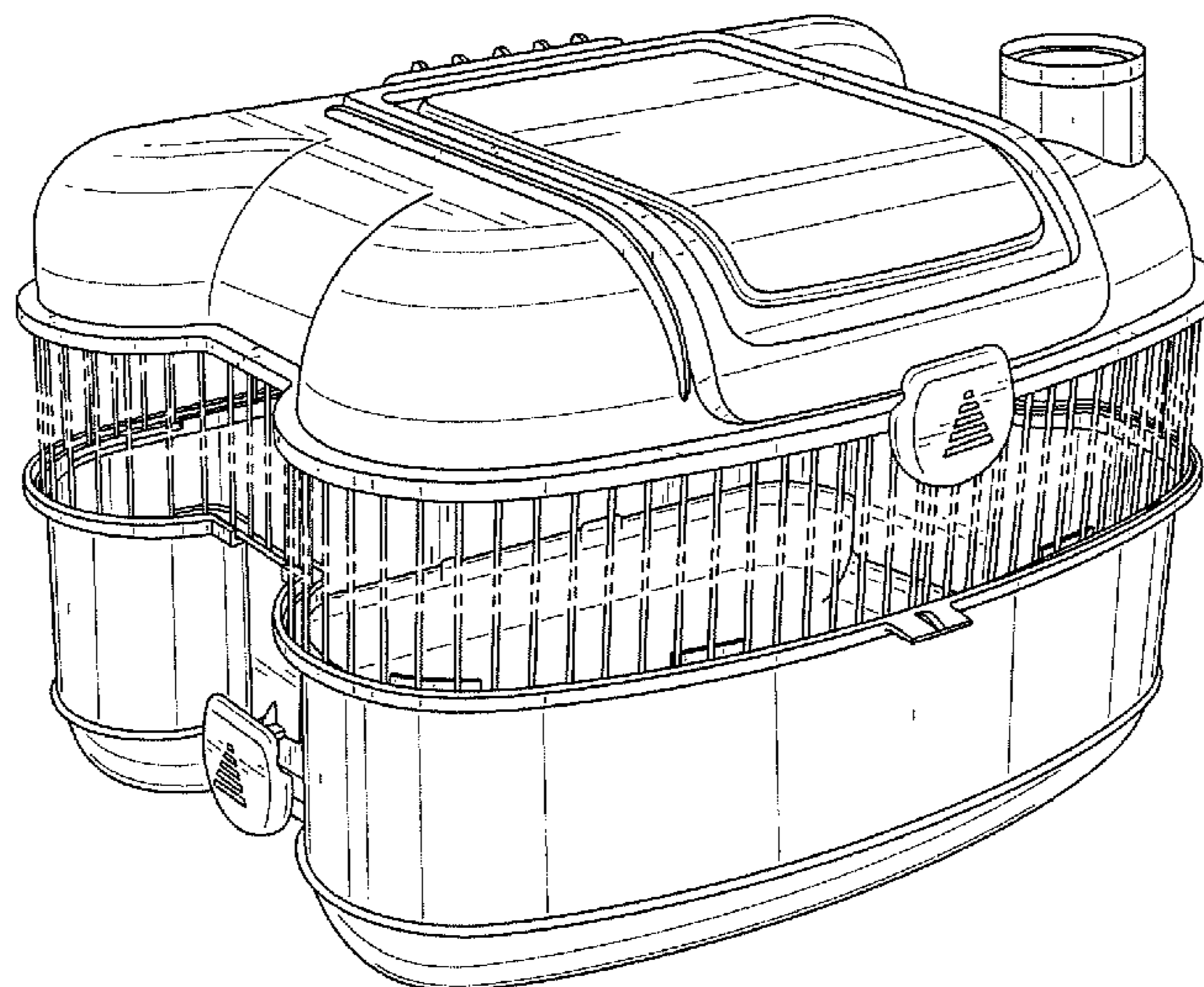
The ornamental design for a small animal habitat, as shown  
and described.

**DESCRIPTION**

FIG. 1 is a perspective view of the small animal habitat;  
FIG. 2 is a rear view thereof;  
FIG. 3 is a front view thereof;  
FIG. 4 is a left side view thereof;  
FIG. 5 is a right side view thereof;  
FIG. 6 is a top view thereof; and,  
FIG. 7 is a bottom view thereof.

The portions of the design that are shown in broken lines do  
not form part of the claimed design.

**1 Claim, 7 Drawing Sheets**



# US D636,538 S

Page 2

---

## U.S. PATENT DOCUMENTS

6,405,682	B1	6/2002	Simon	
7,093,564	B1 *	8/2006	Plante et al. ....	119/461
7,584,720	B1 *	9/2009	Jackson .....	119/452
D611,201	S *	3/2010	Jakubowski et al. ....	D30/108
D611,202	S *	3/2010	Jakubowski et al. ....	D30/108
2008/0230012	A1 *	9/2008	Woltmann et al. ....	119/702
2010/0206241	A1 *	8/2010	Ragonetti et al. ....	119/452

## OTHER PUBLICATIONS

Talvet P., "Human Powered Elevator", Popular Science/Core 77, Oct. 20, 2003, retrieve from [http://www.core77.com/challenge/humanpower/pages/1925\\_2.htm](http://www.core77.com/challenge/humanpower/pages/1925_2.htm).

U.S. Office Action dated Apr. 9, 2010 for U.S. Appl. No. 12/089,336.

\* cited by examiner

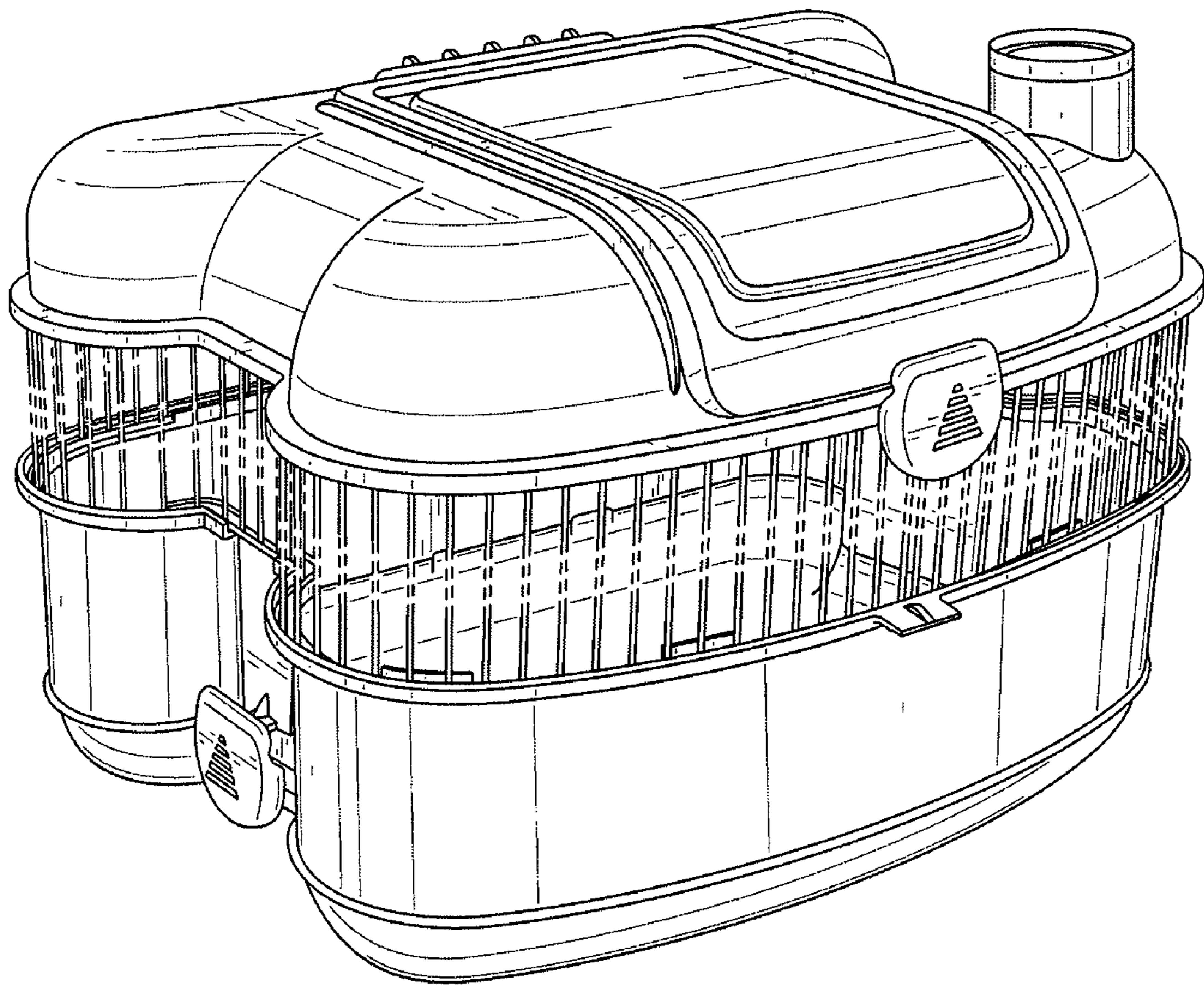


FIG. 1

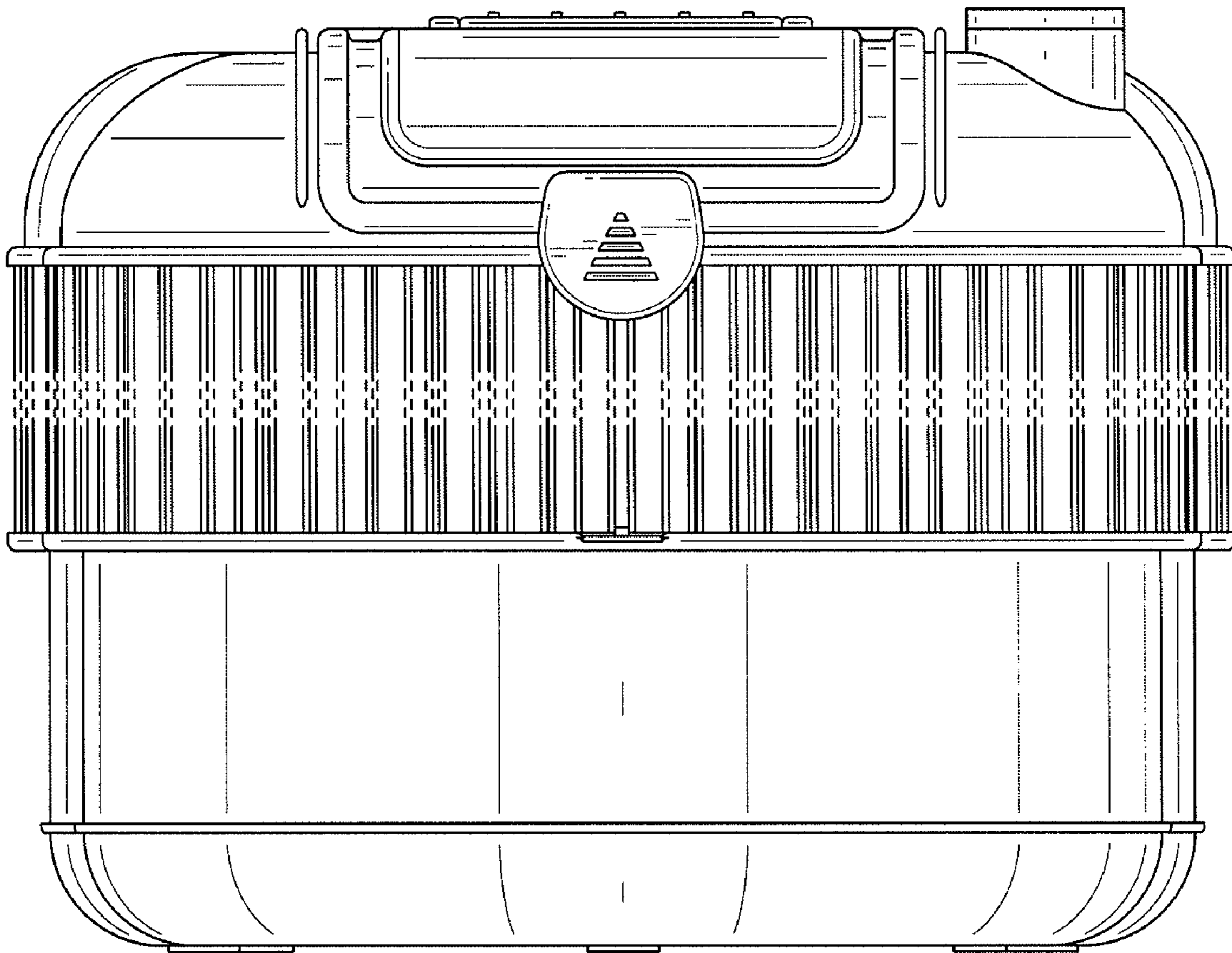


FIG. 2



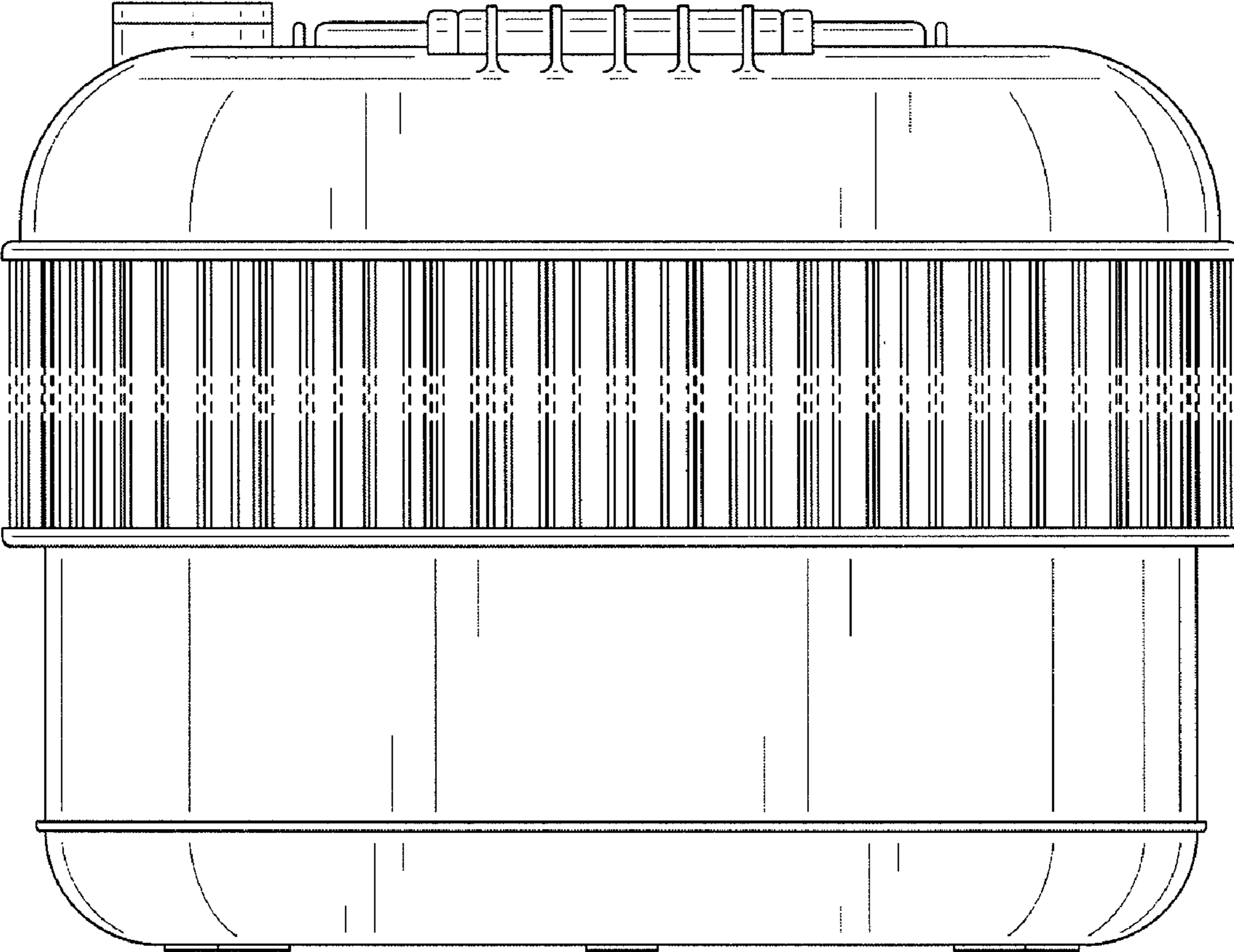


FIG. 3

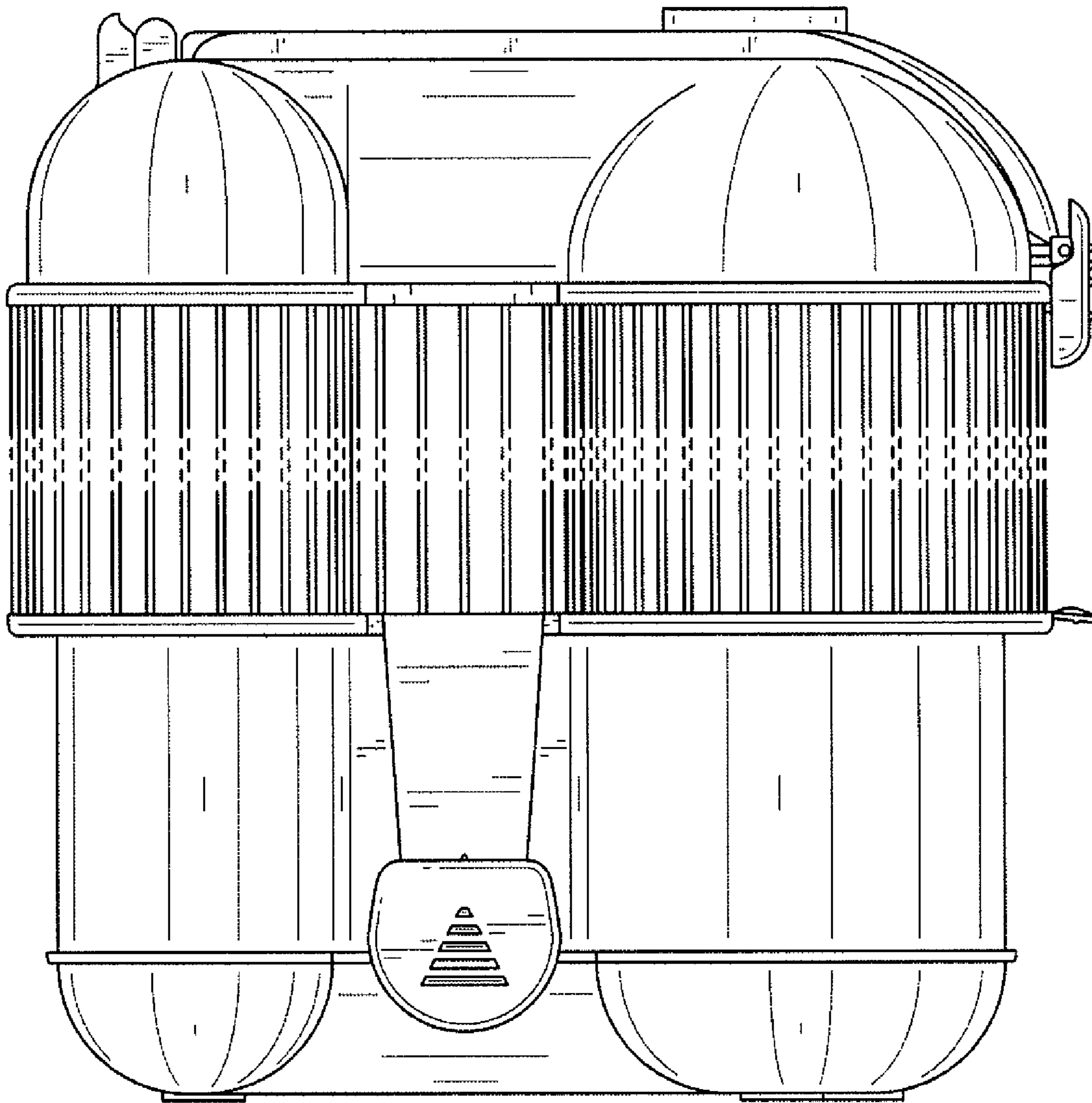


FIG. 4

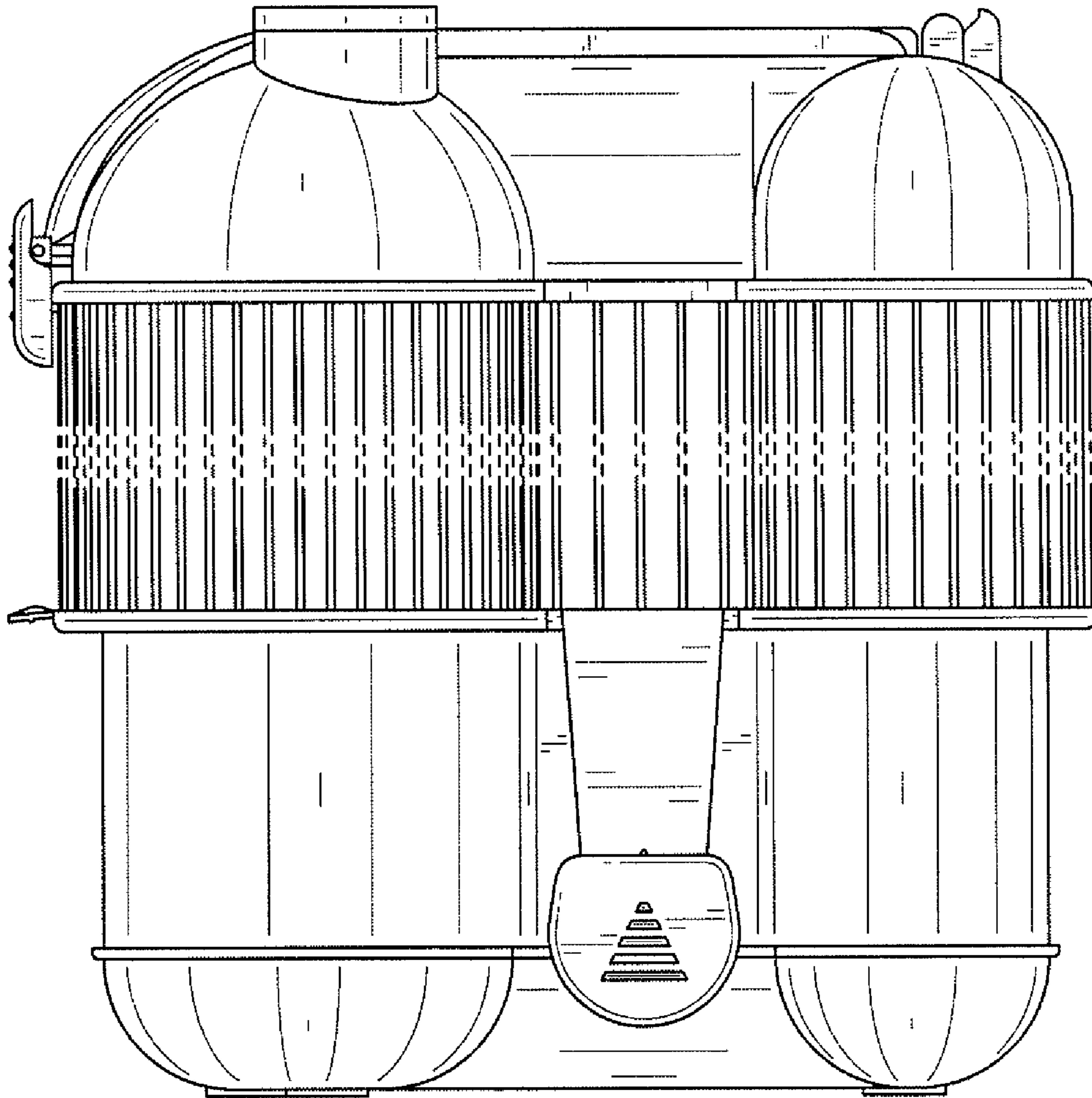


FIG. 5

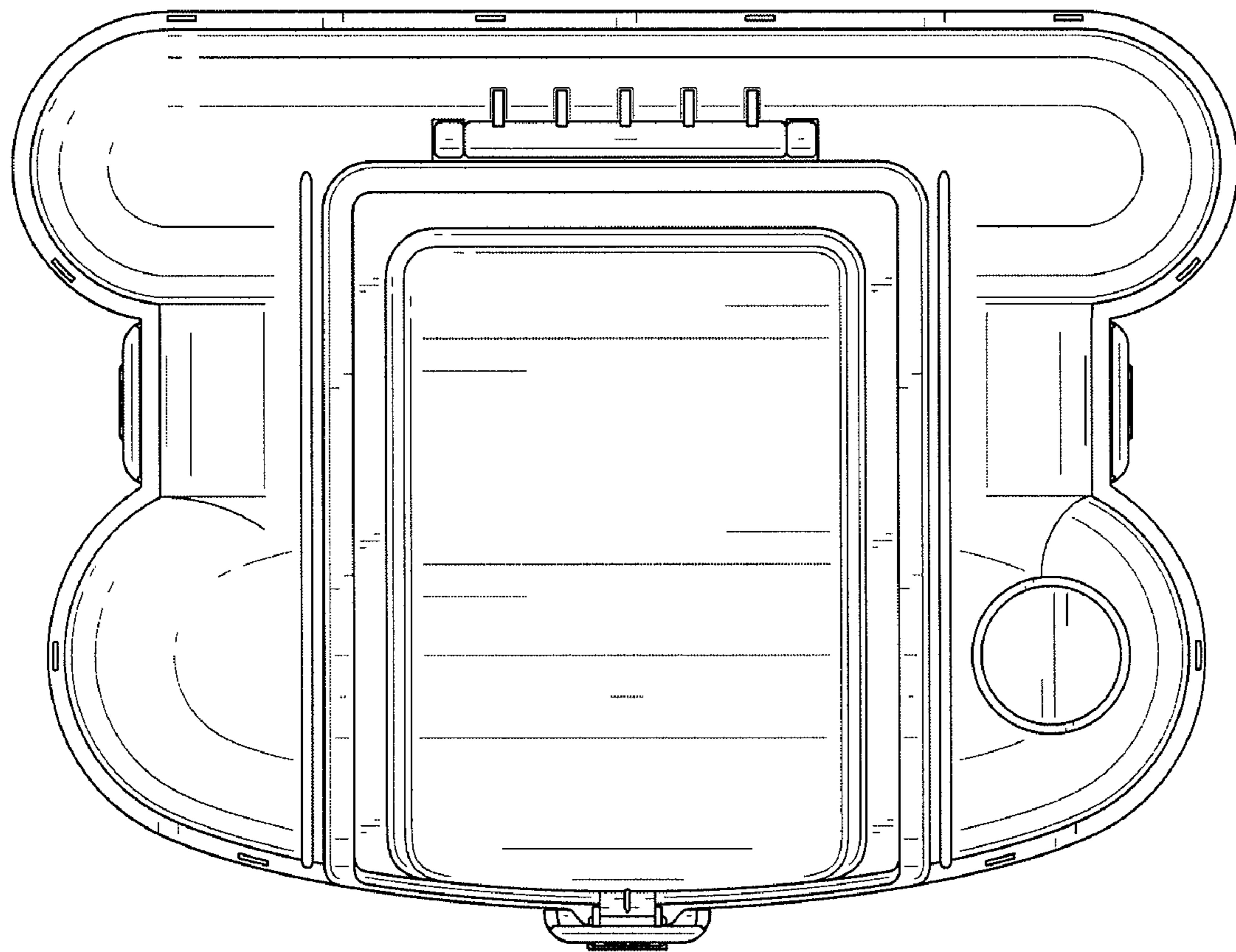


FIG. 6



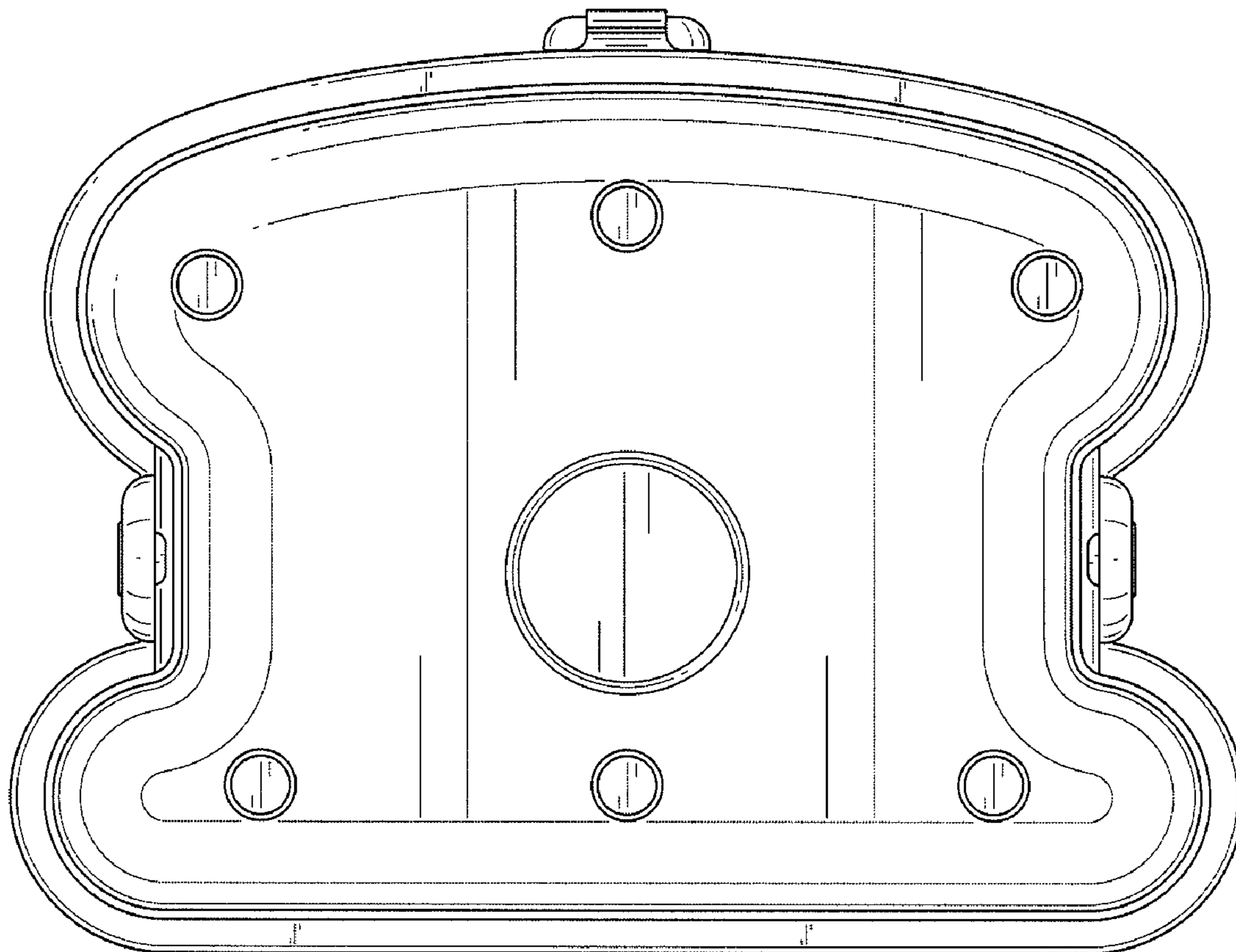


FIG. 7

UNITED STATES PATENT AND TRADEMARK OFFICE  
**CERTIFICATE OF CORRECTION**

PATENT NO. : D636,538 S  
APPLICATION NO. : 29/363347  
DATED : April 19, 2011  
INVENTOR(S) : Peter Ragonetti et al.

Page 1 of 1

It is certified that error appears in the above-identified patent and that said Letters Patent is hereby corrected as shown below:

On the Title Page:

Related U.S. Application Data

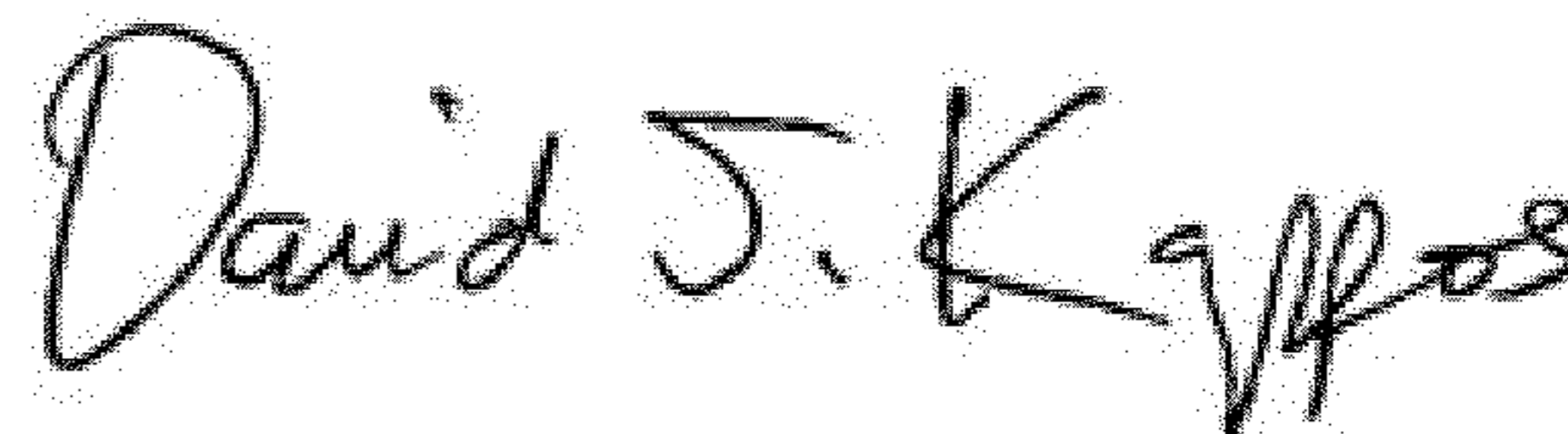
Item (63) "Continuation-in-part of application No. 12/089,336 filed on Apr. 4, 2008, which is a continuation of application No. PCT/US2006/046080, filed on Dec. 1, 2006."

should be changed to:

Related U.S. Application Data

Item (63) "Continuation-in-part of application No. 12/089,336 filed on Apr. 4, 2008, which is a continuation of application No. PCT/US2006/046080, filed on Dec. 1, 2006 --which claims the benefit of 60/741,253 filed on Dec. 1, 2005 and claims benefit of 60/850,779 filed on Oct. 11, 2006."--

Signed and Sealed this  
Twenty-fifth Day of September, 2012



David J. Kappos  
*Director of the United States Patent and Trademark Office*