



US00D636532S

(12) **United States Design Patent**  
**Jessemey et al.**

(10) **Patent No.:** **US D636,532 S**

(45) **Date of Patent:** **\*\* Apr. 19, 2011**

(54) **HAIR REMOVAL CARTRIDGE**

(75) Inventors: **Paul Michael Jessemey**, Lambourn (GB); **Kevin James Wain**, Reading (GB)

(73) Assignee: **The Gillette Company**, Boston, MA (US)

(\*\*) Term: **14 Years**

(21) Appl. No.: **29/377,964**

(22) Filed: **Oct. 28, 2010**

(51) **LOC (9) Cl.** ..... **28-03**

(52) **U.S. Cl.** ..... **D28/47**

(58) **Field of Classification Search** ..... D28/44-48;  
30/32, 32.05, 34.1-34.2, 41, 44-46, 47-51,  
30/57-58, 77-84, 526-539, 346.5-346.56,  
30/346.61

See application file for complete search history.

(56) **References Cited**

**U.S. PATENT DOCUMENTS**

1,497,647	A	6/1924	Smith
1,651,917	A	12/1927	Connolly
4,069,580	A	1/1978	Cartwright et al.
D467,387	S	12/2002	Wonderley
D499,511	S	12/2004	Wakayama
7,200,942	B2	4/2007	Richard

D552,795	S	10/2007	Wonderley	
D601,753	S	*	10/2009	Cataudella et al. .... D28/47
D611,199	S	*	3/2010	Kwiecien et al. .... D28/47
D617,947	S	*	6/2010	Lukan et al. .... D28/47
D622,905	S	*	8/2010	Wain ..... D28/47
D625,049	S	*	10/2010	Bridges et al. .... D28/47

\* cited by examiner

*Primary Examiner* — Jennifer Rivard

(74) *Attorney, Agent, or Firm* — John N. Lipchitz; Kevin C. Johnson; Steven W. Miller

(57) **CLAIM**

We claim the ornamental design for a hair removal cartridge, as shown and described.

**DESCRIPTION**

FIG. 1 is a perspective view of a hair removal cartridge of the present invention;

FIG. 2 is a front view thereof;

FIG. 3 is a rear view thereof;

FIG. 4 is a right side view thereof;

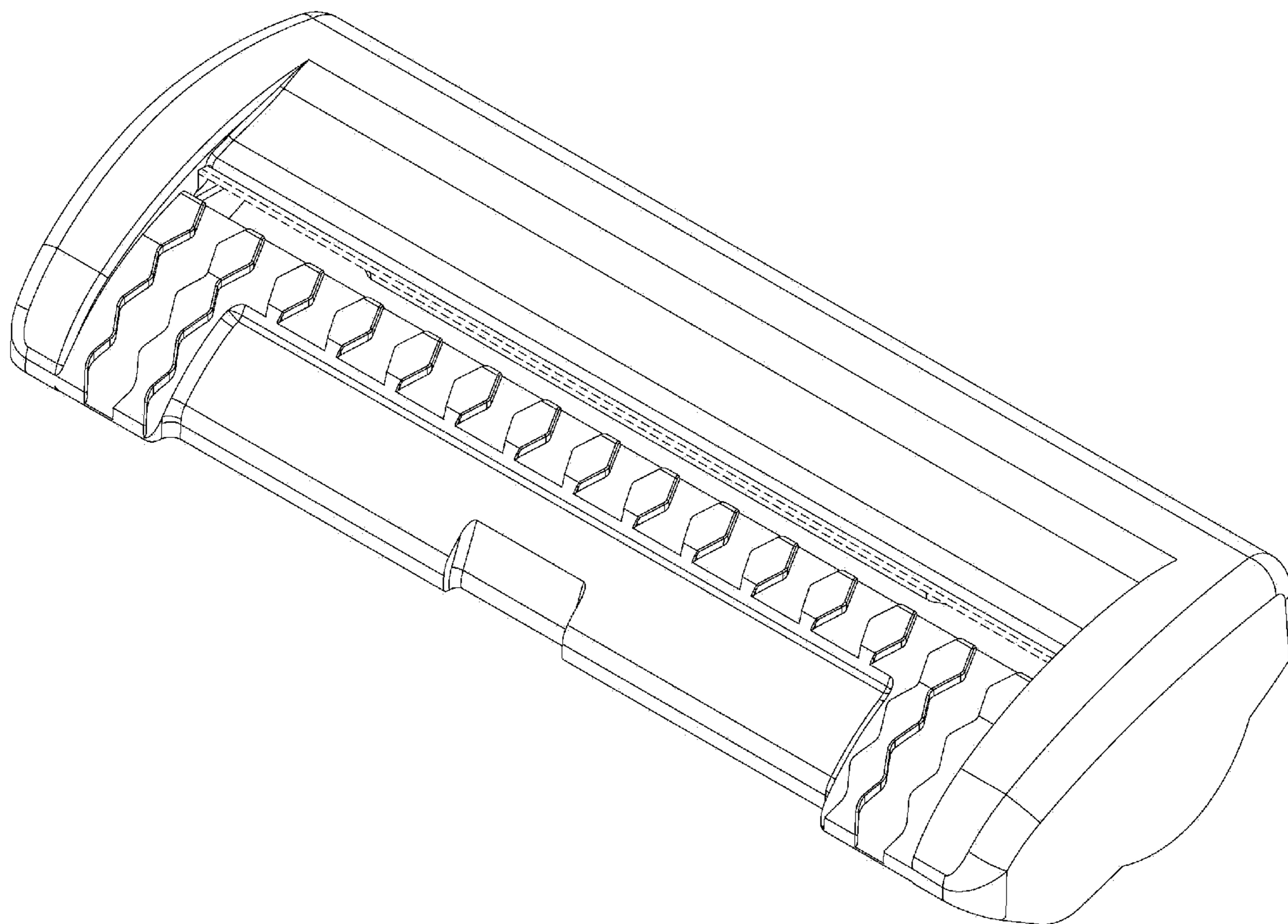
FIG. 5 is a left side view thereof;

FIG. 6 is a top view thereof; and,

FIG. 7 is a bottom view thereof.

The broken lines shown in the drawings illustrate portions of the article and form no part of the claimed design.

**1 Claim, 5 Drawing Sheets**



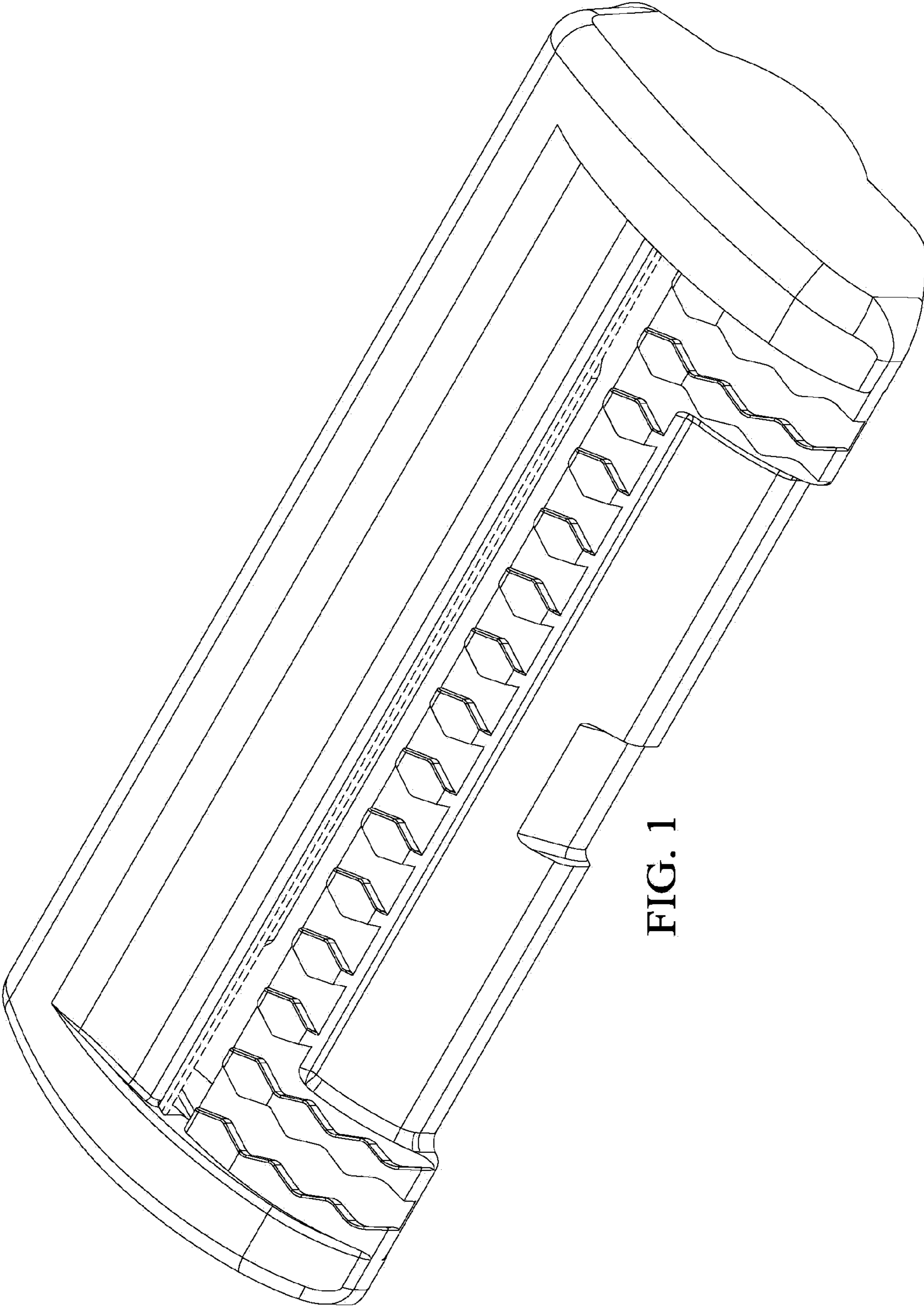


FIG. 1

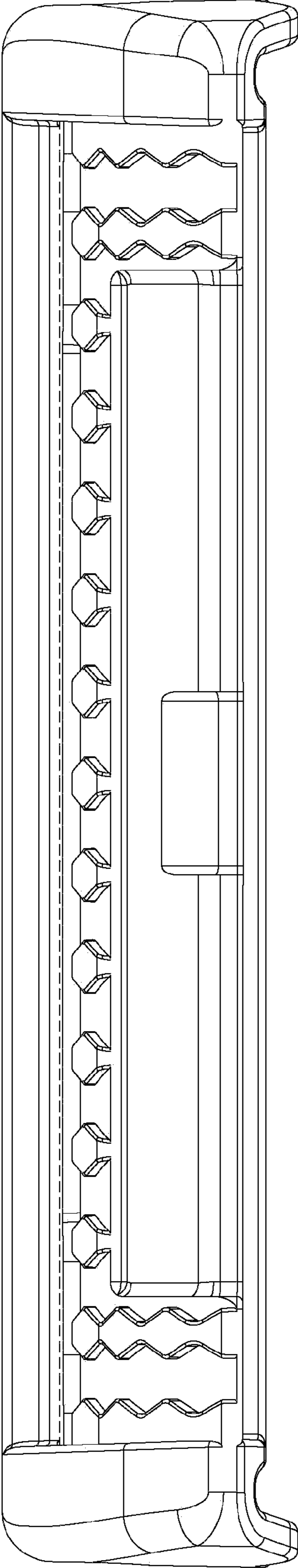


FIG. 2

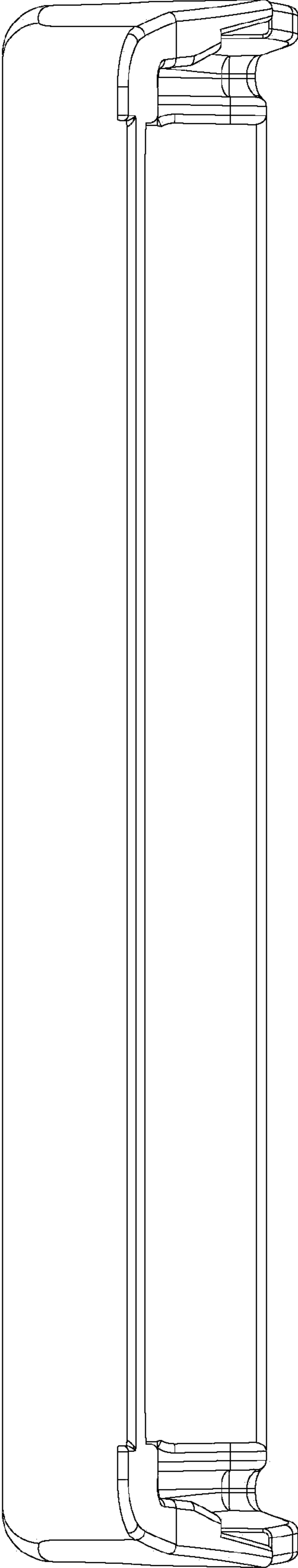


FIG. 3

FIG. 5

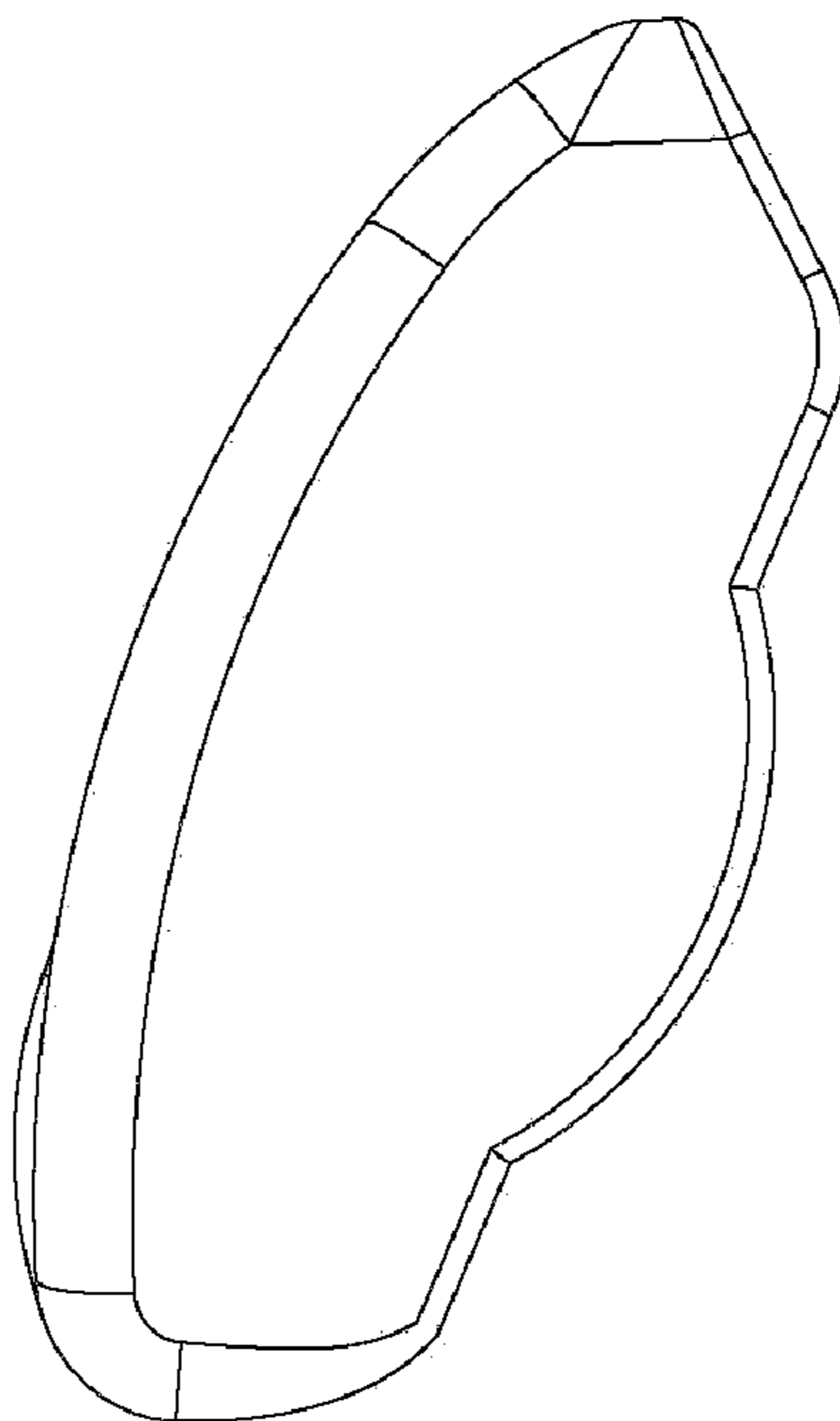


FIG. 4

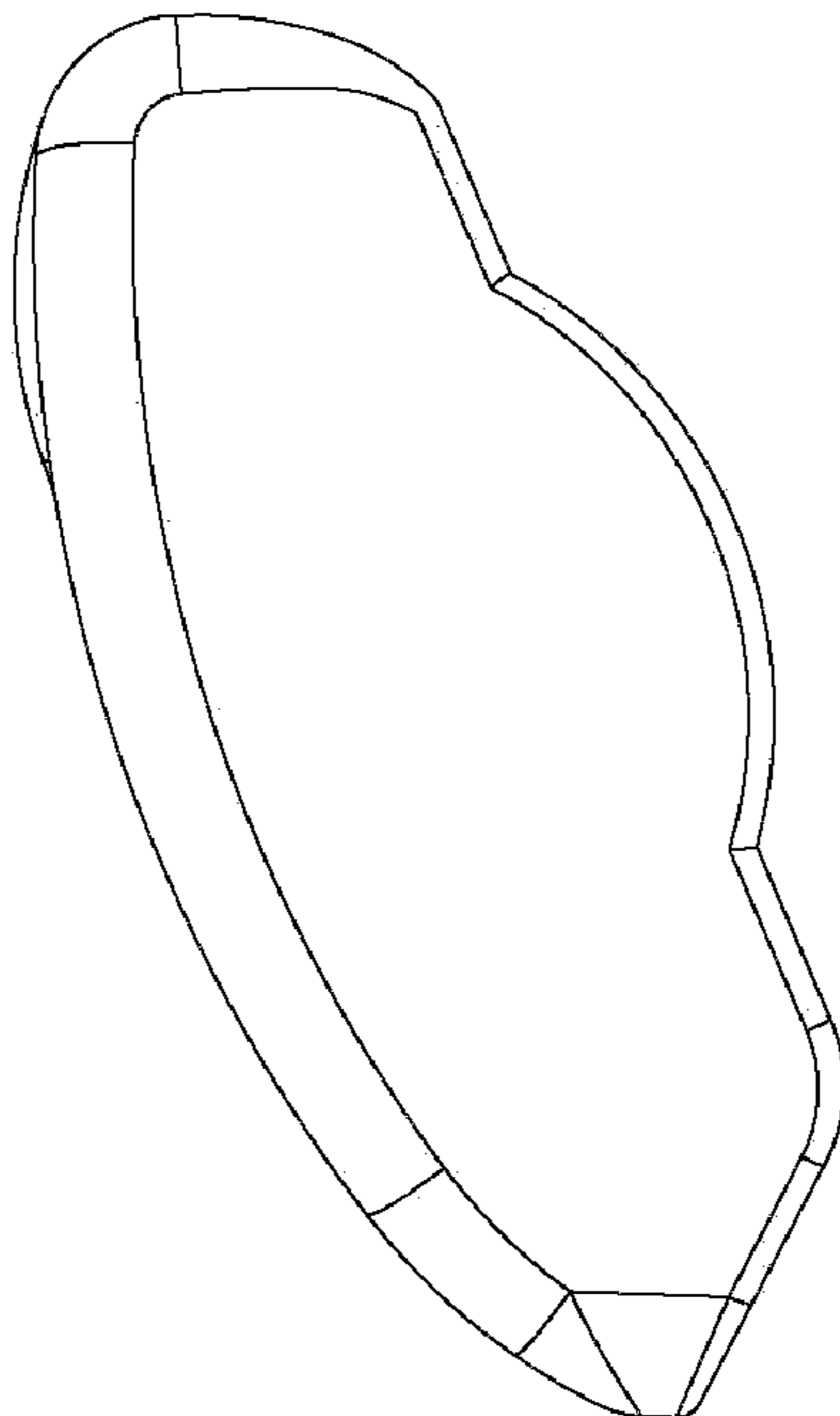




FIG. 6

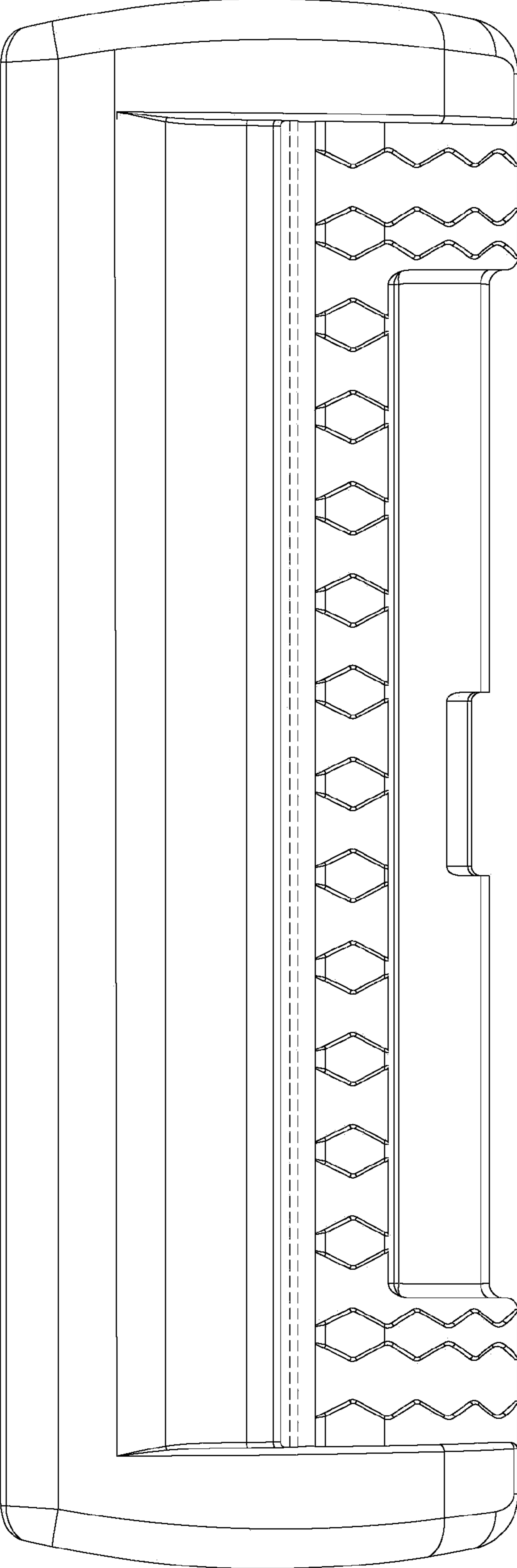


FIG. 7

