



US00D636528S

(12) **United States Design Patent**
Düster

(10) **Patent No.:** **US D636,528 S**
(45) **Date of Patent:** **** Apr. 19, 2011**

(54) **END CAP FOR LUMINAIRE**

(75) Inventor: **Thomas Düster**, Eindhoven (NL)

(73) Assignee: **Koninklijke Philips Electronics N.V.**,
Eindhoven (NL)

(**) Term: **14 Years**

(21) Appl. No.: **29/357,108**

(22) Filed: **Mar. 8, 2010**

(30) **Foreign Application Priority Data**

Sep. 9, 2009 (EM) 001609231-0002

(51) **LOC (9) Cl.** **26-99**

(52) **U.S. Cl.** **D26/138**

(58) **Field of Classification Search** D26/63,
D26/67, 136, 87, 92, 142, 145, 155, 1, 2,
D26/134, 154, 3, 138, 123, 118, 133, 129,
D26/130, 131, 28, 124, 144, 81, 84, 85, 120,
D26/128, 140, 141, 143; 362/291, 294, 414,
362/352, 260, 220, 218, 219, 221, 241, 147,
362/277, 326, 351, 355, 356, 357, 370, 405,
362/432; 439/235, 226, 239; D13/110, 179,
D13/180

See application file for complete search history.

(56) **References Cited**

U.S. PATENT DOCUMENTS

4,229,780 A * 10/1980 Nelson 362/218
4,376,966 A * 3/1983 Tieszen 362/249.01
D280,025 S * 8/1985 Waters D26/24

5,023,762 A * 6/1991 Tieszen 362/223
D363,359 S * 10/1995 Henrici et al. D26/28
D371,858 S * 7/1996 Waldmann D26/76
D377,005 S * 12/1996 Lin D13/134
D381,734 S * 7/1997 Murphy D22/134
D405,415 S * 2/1999 Henrici et al. D13/134
D440,941 S * 4/2001 Parekh D13/134
D465,038 S * 10/2002 Bragg et al. D26/27
D514,516 S * 2/2006 Wiskerke D13/134
D521,451 S * 5/2006 Wiskerke D13/134
D603,085 S * 10/2009 Kovacs et al. D26/113
D603,086 S * 10/2009 Zayas D26/113
7,621,782 B1 * 11/2009 Chen et al. 439/619
2003/0011308 A1 * 1/2003 Crawford et al. 313/623
2007/0183160 A1 * 8/2007 Tufano et al. 362/441

* cited by examiner

Primary Examiner — Cathron C Brooks

Assistant Examiner — Kevin K Rudzinski

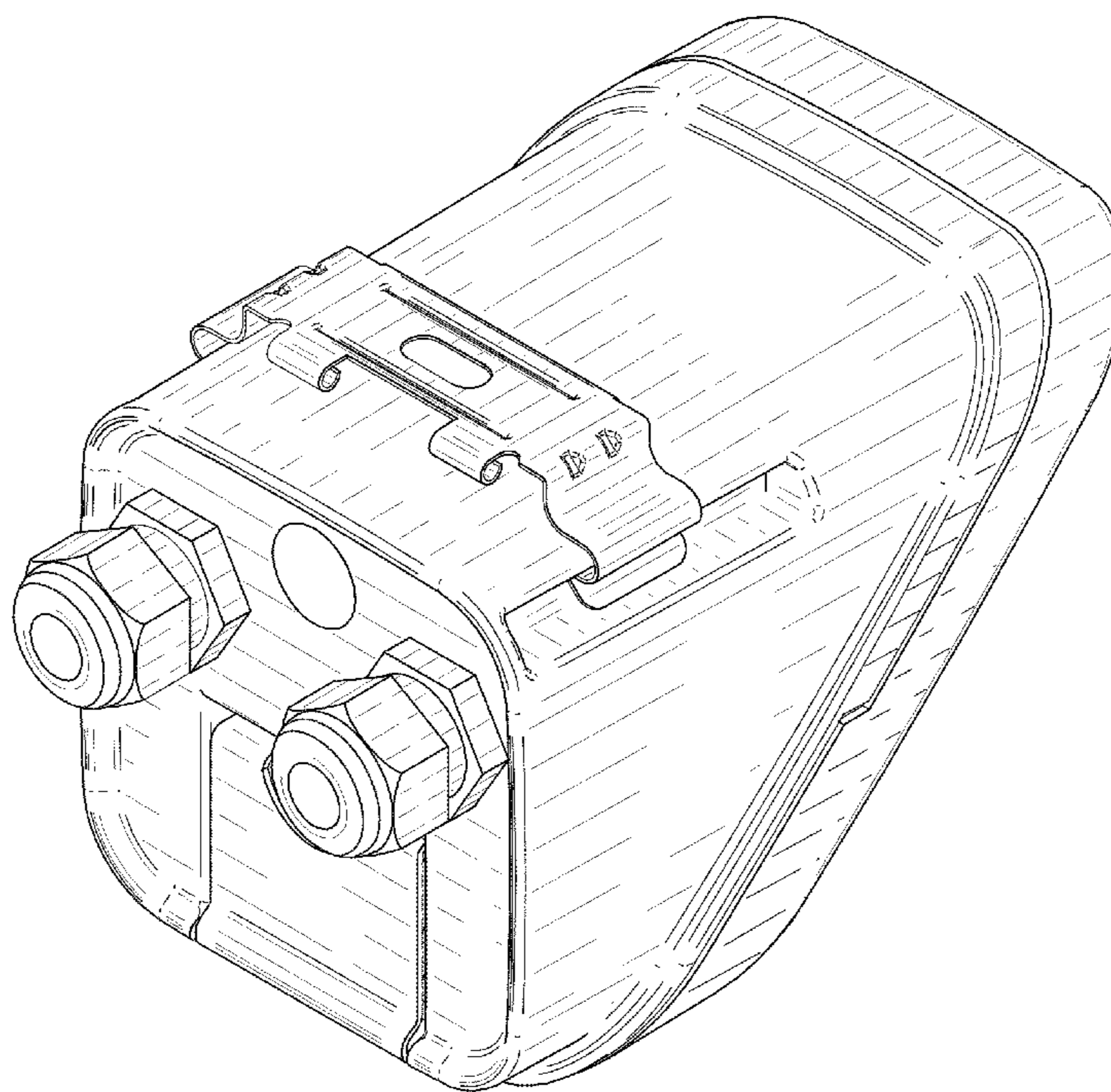
(57) **CLAIM**

The ornamental design for a end cap for luminaire, as shown and described.

DESCRIPTION

FIG. 1 is a perspective view showing my design;
FIG. 2 is a front elevational view thereof;
FIG. 3 is a rear elevational view thereof;
FIG. 4 is a right side elevational view thereof;
FIG. 5 is a left side elevational view thereof;
FIG. 6 is a top plan view thereof; and,
FIG. 7 is a bottom plan view thereof.
The broken lines shown are included for the purpose of illustrating environmental features and form no part of the claimed design.

1 Claim, 5 Drawing Sheets



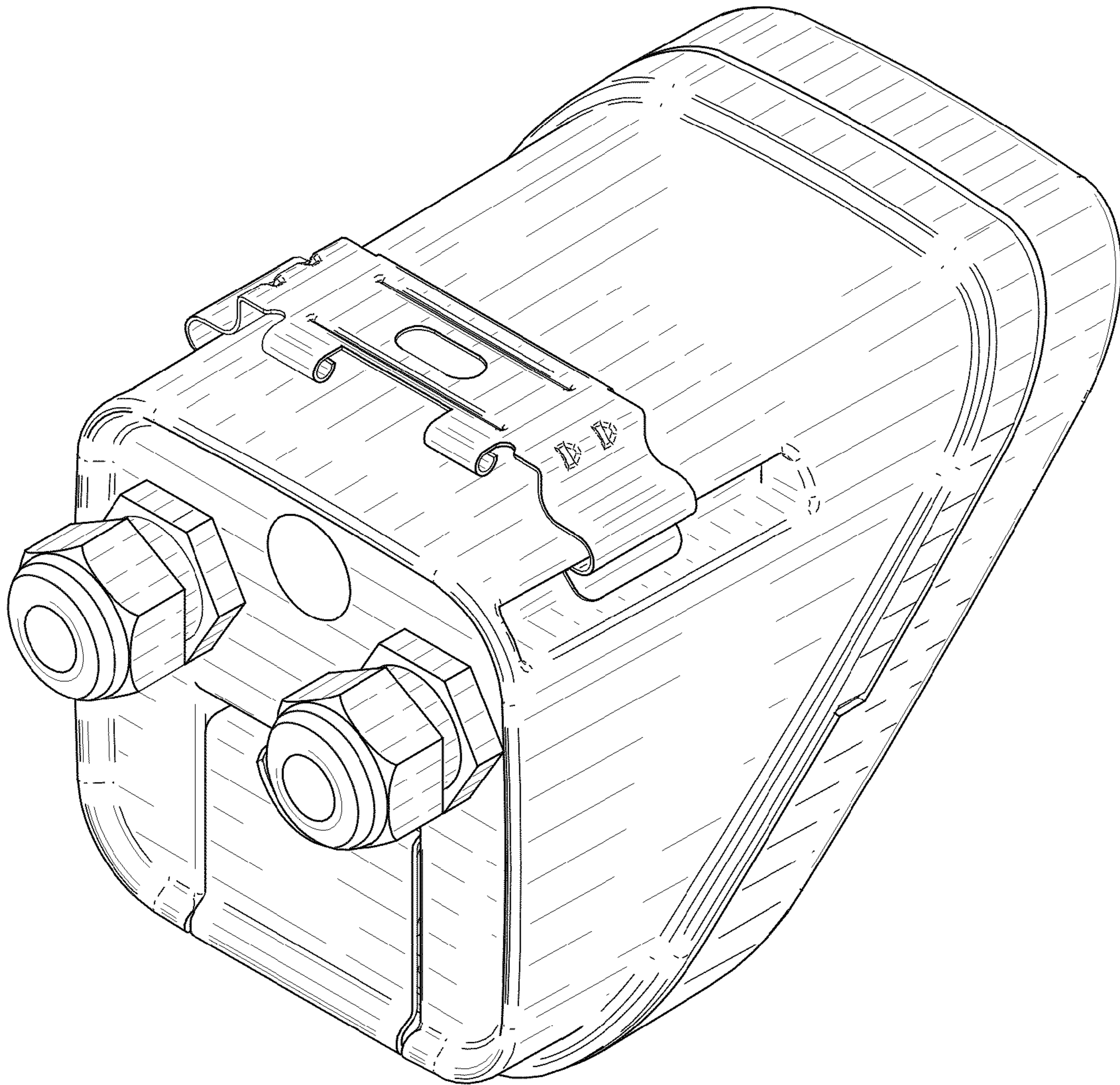


FIG. 1

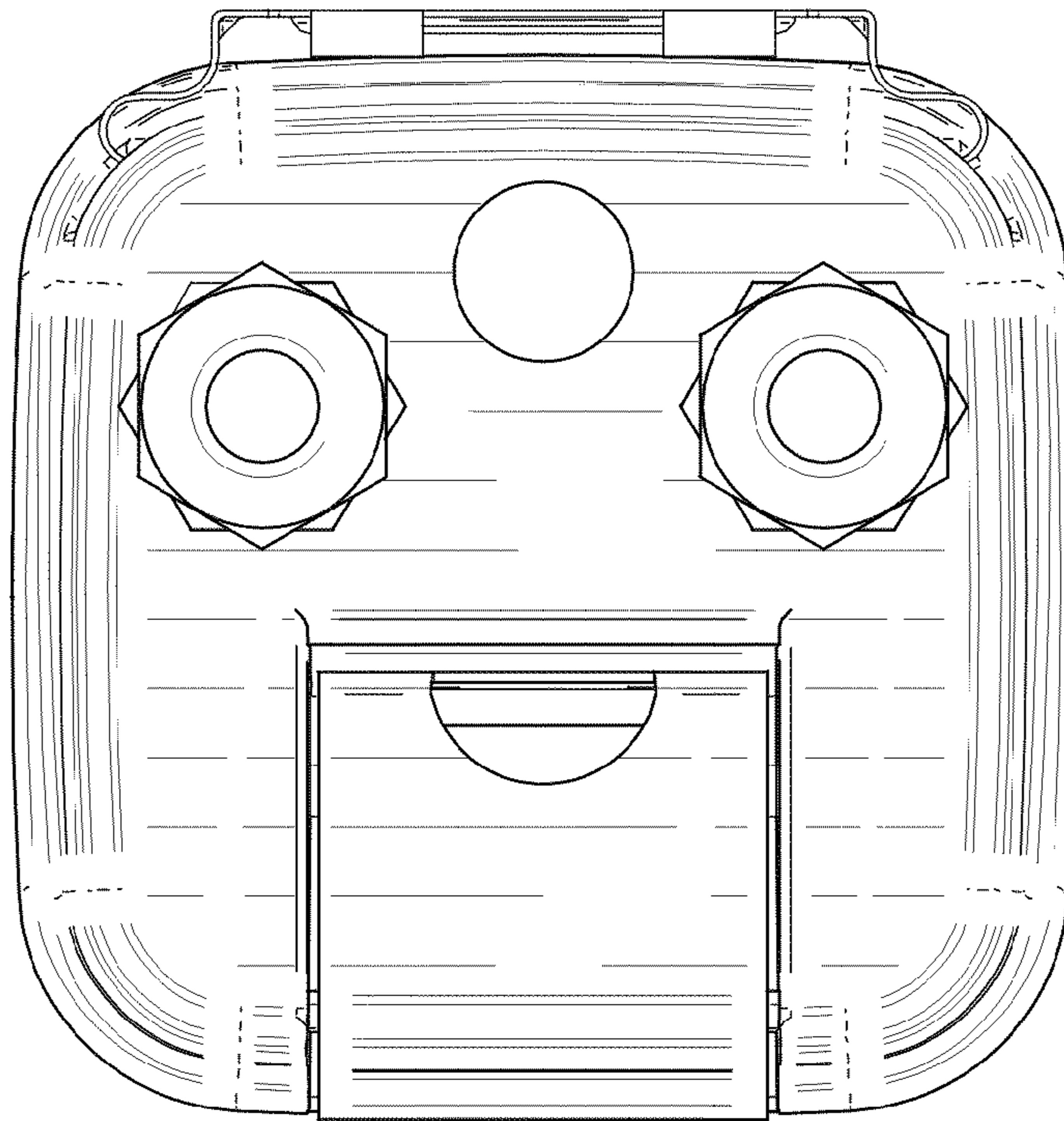


FIG. 2

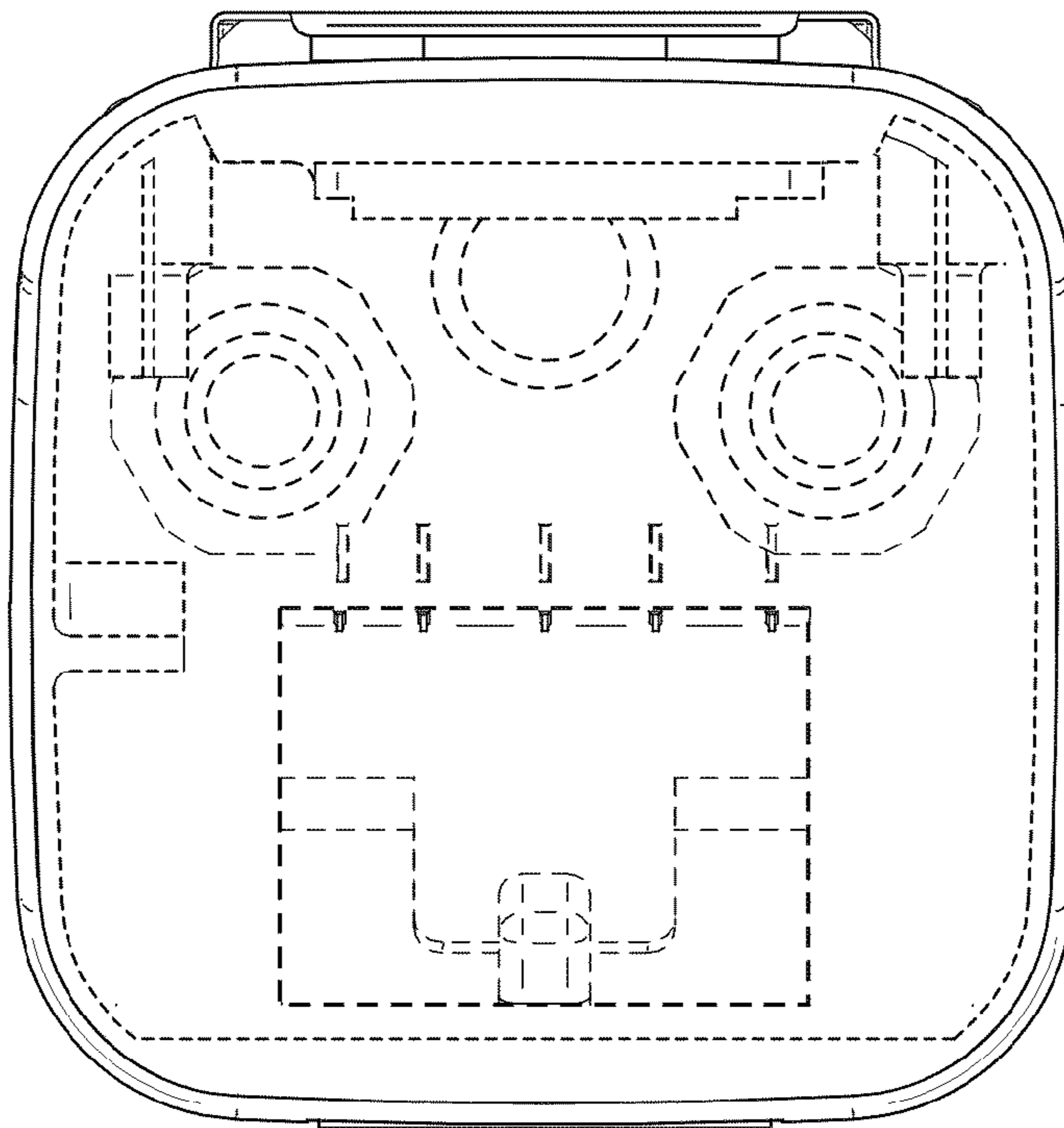


FIG. 3

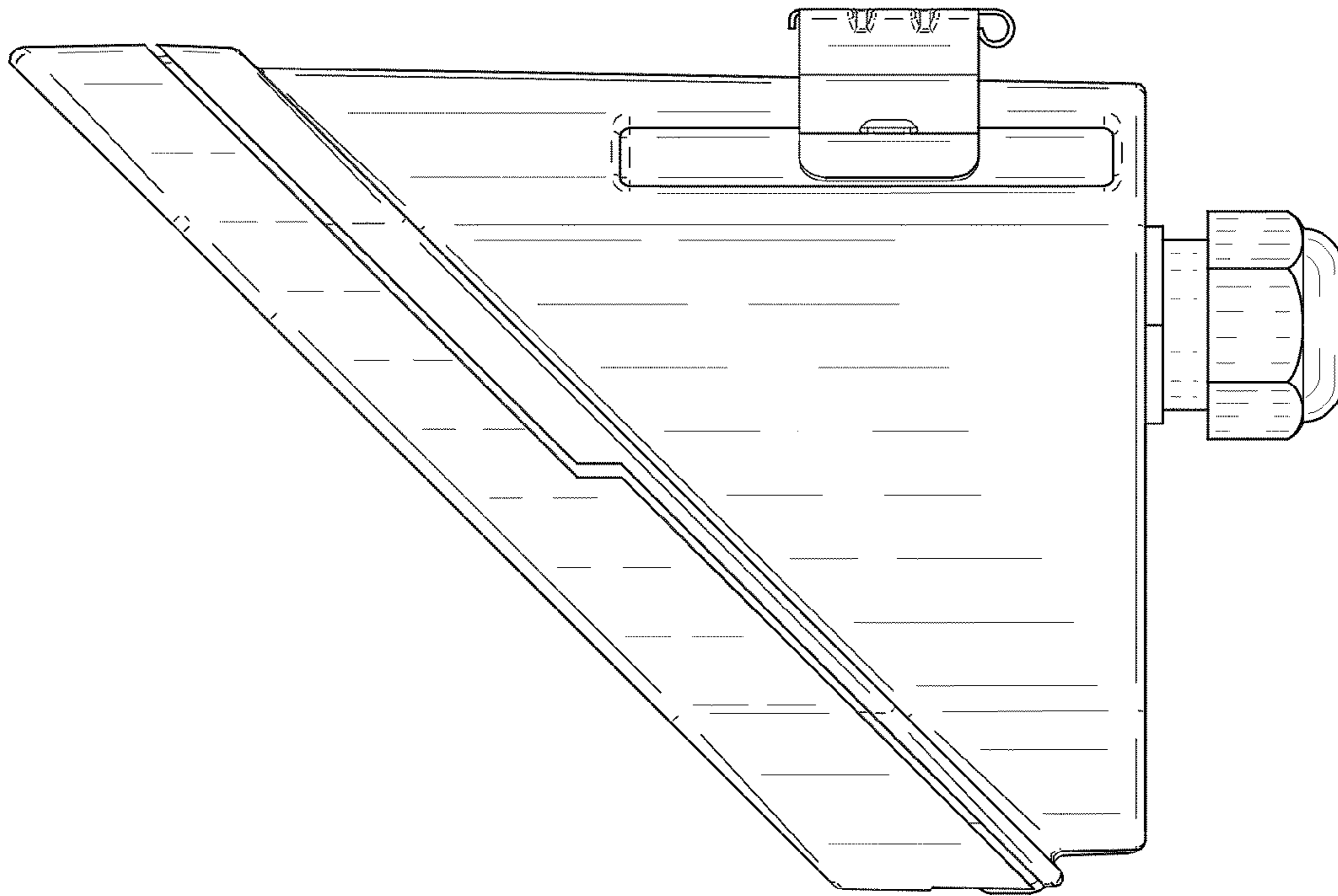


FIG. 4

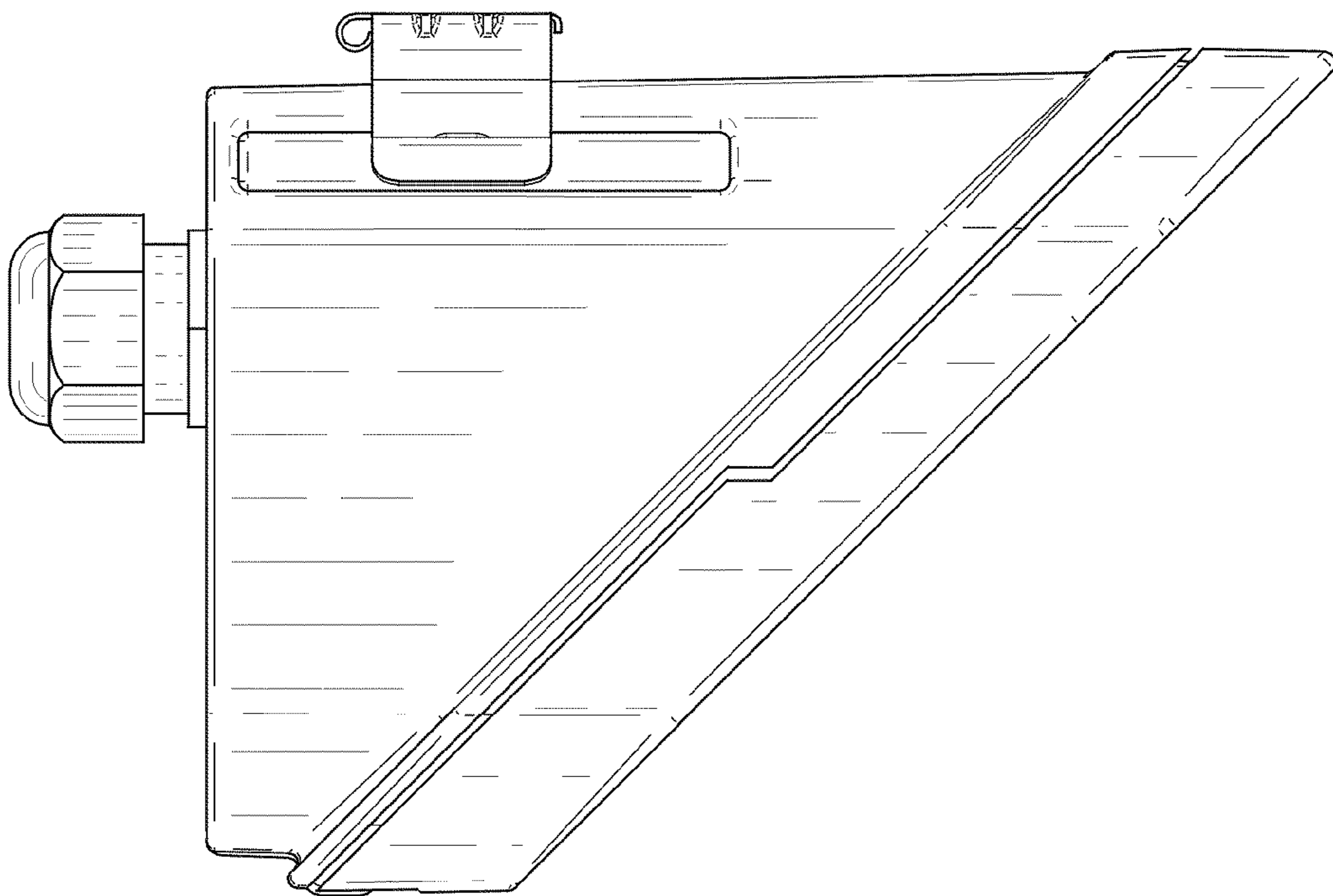


FIG. 5

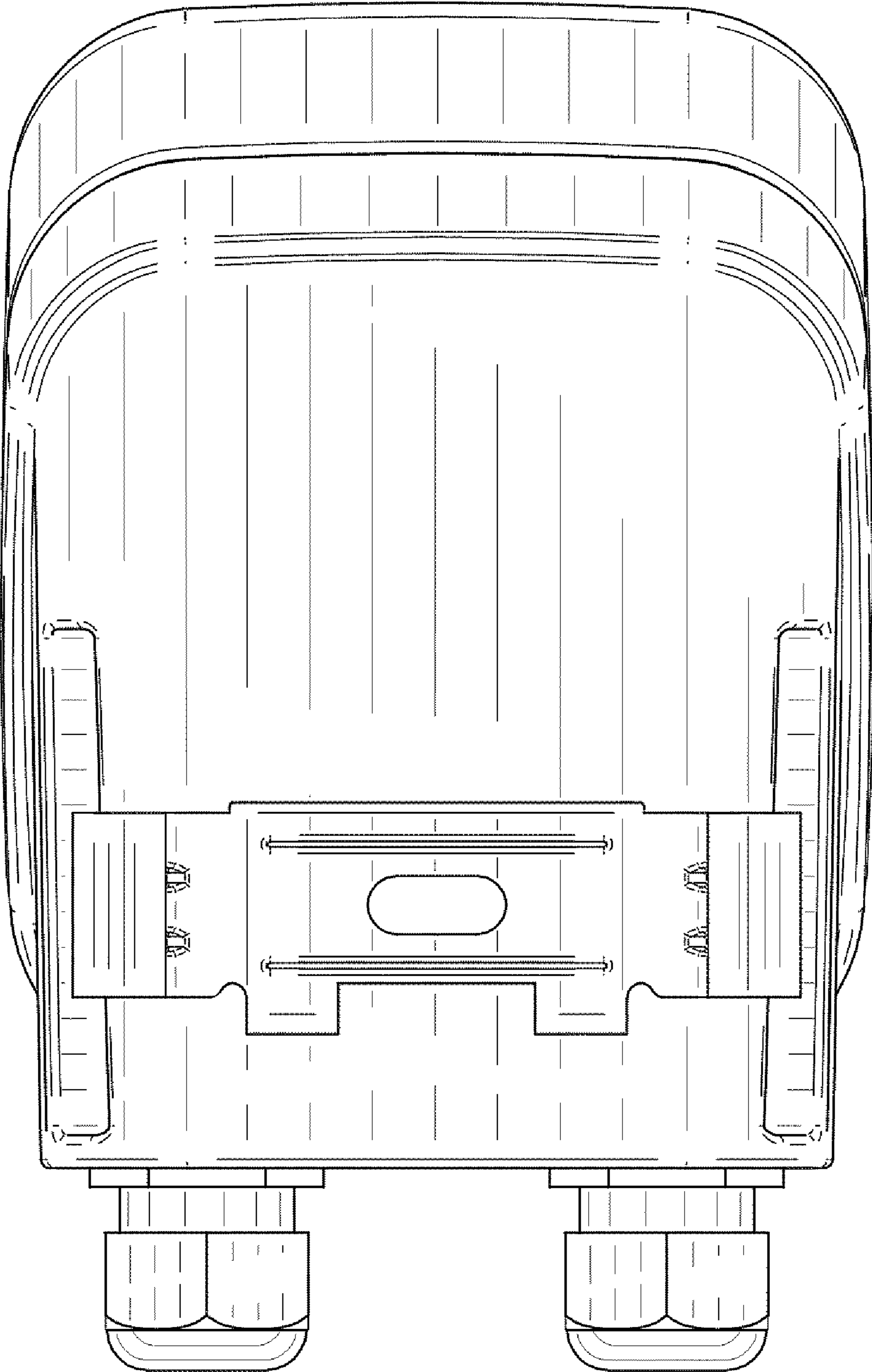


FIG. 6

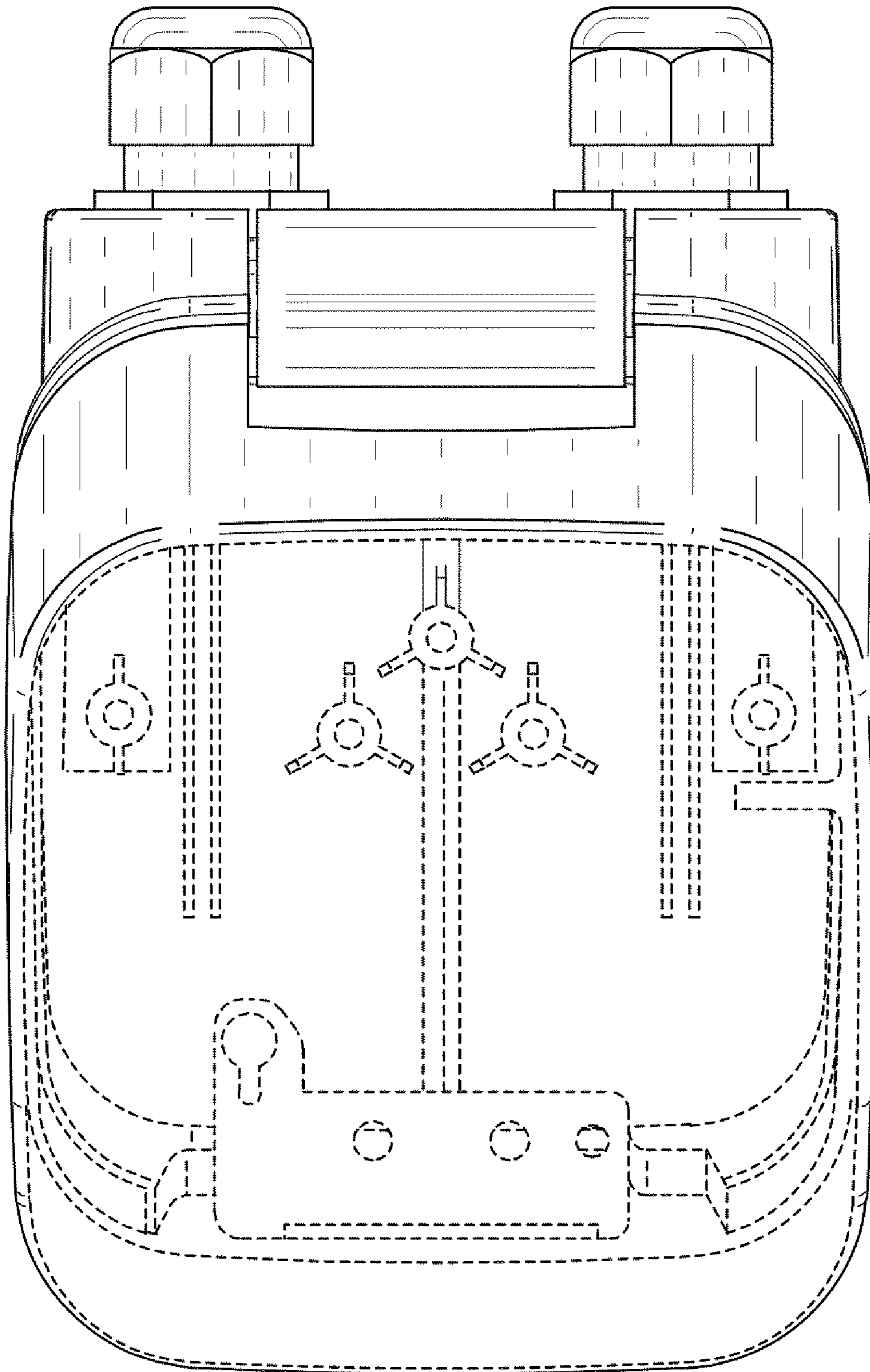


FIG. 7