



US00D636527S

(12) **United States Design Patent**
Yao

(10) **Patent No.:** **US D636,527 S**

(45) **Date of Patent:** **** Apr. 19, 2011**

(54) **LAMPSHADE**

(76) **Inventor:** **Yihui Yao, Shantou (CN)**

(**) **Term:** **14 Years**

(21) **Appl. No.:** **29/351,807**

(22) **Filed:** **Dec. 11, 2009**

(51) **LOC (9) Cl.** **26-99**

(52) **U.S. Cl.** **D26/134**

(58) **Field of Classification Search** D26/28,
D26/30, 31, 118, 2, 74, 152, 38, 26, 142,
D26/123, 122, 120, 128, 131, 133, 134, 119,
D26/121, 124, 129, 138, 139, 140, 141, 61,
D26/63, 107, 67, 71, 70, 72; 362/294, 373,
362/493, 496, 509, 147, 257, 296, 317, 326,
362/331, 335, 340, 350, 364, 384, 365; D23/411;
D13/180; 40/572, 592; D20/10, 17, 42;
248/343, 323; 174/58; D8/16, 354, 355,
D8/366, 373, 380, 381, 382, 383

See application file for complete search history.

(56) **References Cited**

U.S. PATENT DOCUMENTS

D19,279 S *	8/1889	Webb	D26/133
D39,662 S *	11/1908	Hopton	D26/133
D44,721 S *	10/1913	Booth	D26/133
D68,345 S *	9/1925	Price	D26/133
D69,586 S *	3/1926	Johnston	D26/133

D73,003 S *	7/1927	Magnussen	D26/20
D98,886 S *	3/1936	Petzold	D26/105
D368,321 S *	3/1996	Dolan	D26/133
D380,579 S *	7/1997	Dolan	D26/133
D392,767 S *	3/1998	Dolan	D26/133
D394,127 S *	5/1998	Dolan	D26/134
D415,308 S *	10/1999	Hsu	D26/134
D424,737 S *	5/2000	Hsu	D26/134
D426,669 S *	6/2000	Nicholas	D26/131
D452,748 S *	1/2002	Dolan	D26/134
D462,134 S *	8/2002	Cheong	D26/67

* cited by examiner

Primary Examiner — Cathron C Brooks

Assistant Examiner — Kevin K Rudzinski

(74) *Attorney, Agent, or Firm* — Christie, Parker & Hale, LLP

(57) **CLAIM**

The ornamental design for a lampshade, as shown and described.

DESCRIPTION

FIG. 1 is perspective view of the lampshade;

FIG. 2 is a front view thereof;

FIG. 3 is a side view thereof;

FIG. 4 is a top view thereof; and,

FIG. 5 is a bottom view thereof.

The broken lines shown in the drawings form no part of the claimed design.

1 Claim, 5 Drawing Sheets

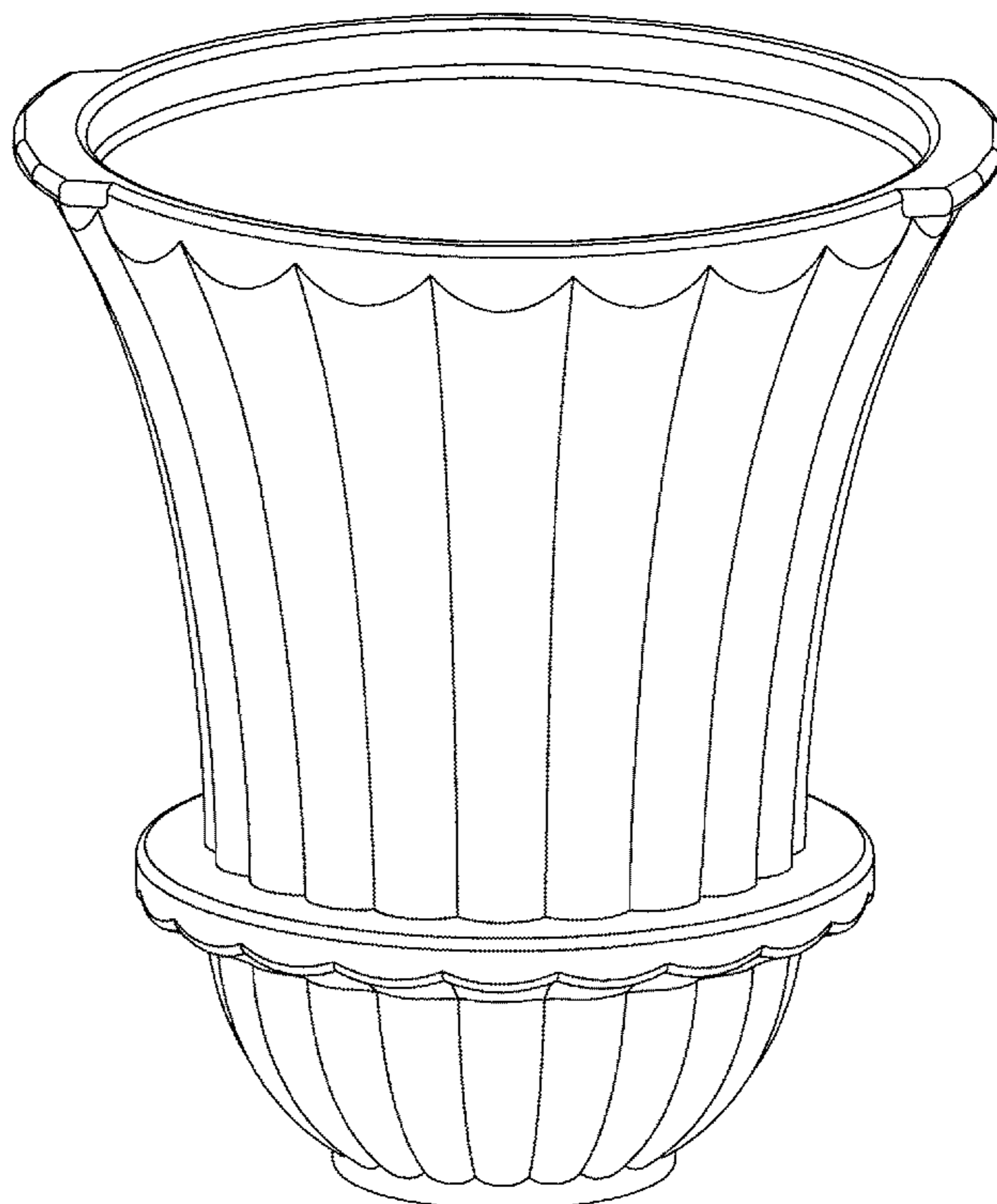


FIG. 1

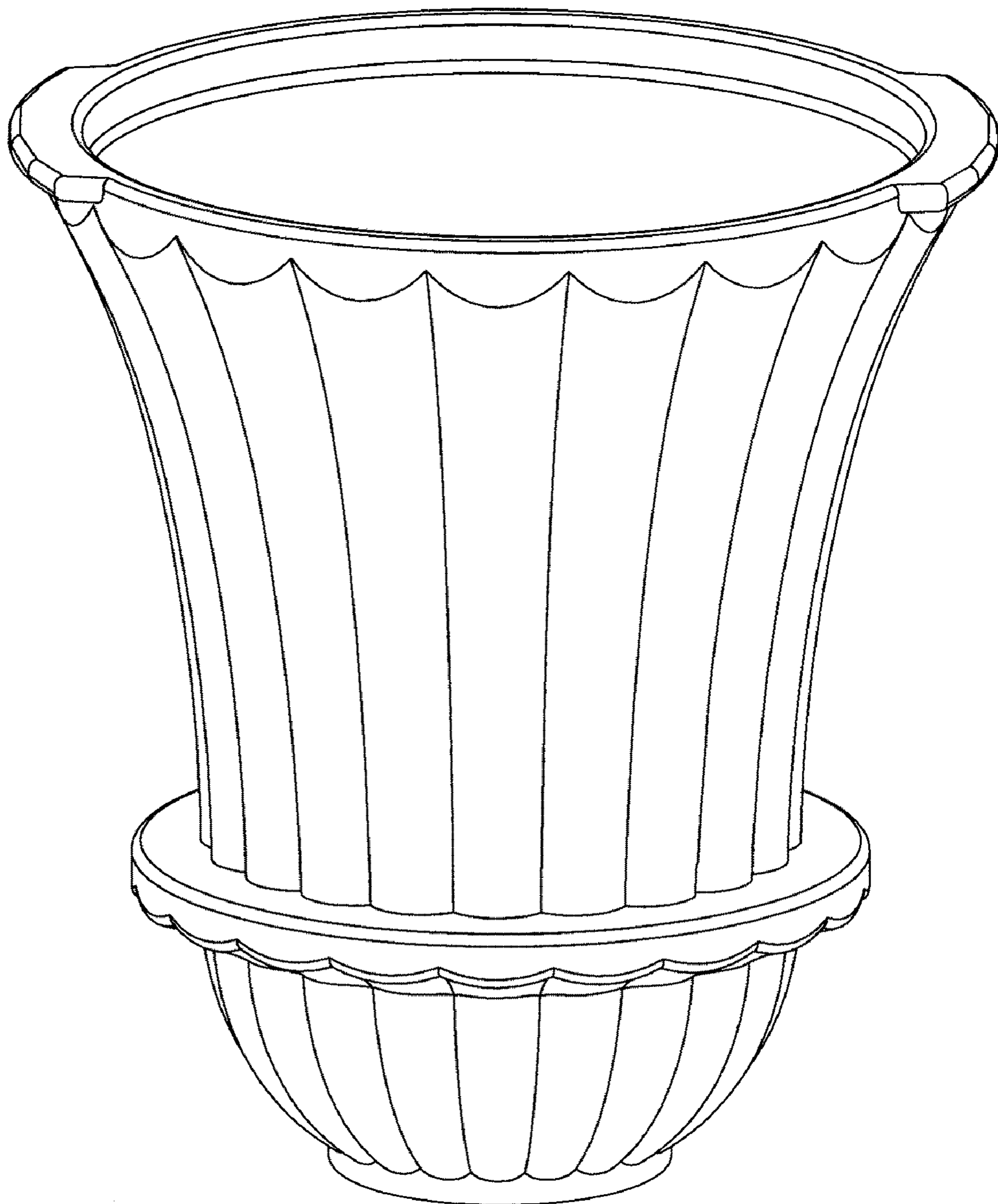


FIG. 2

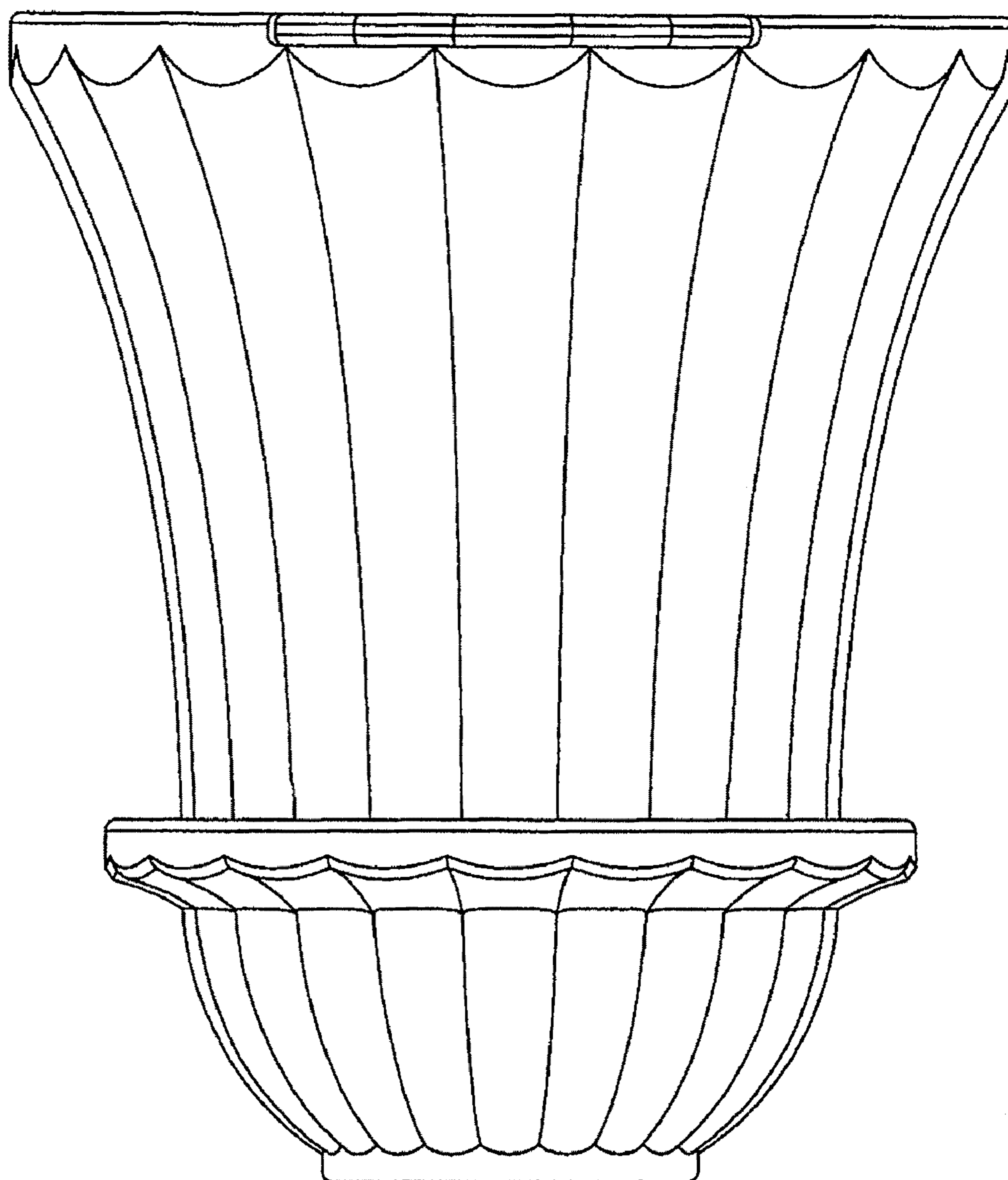


FIG. 3

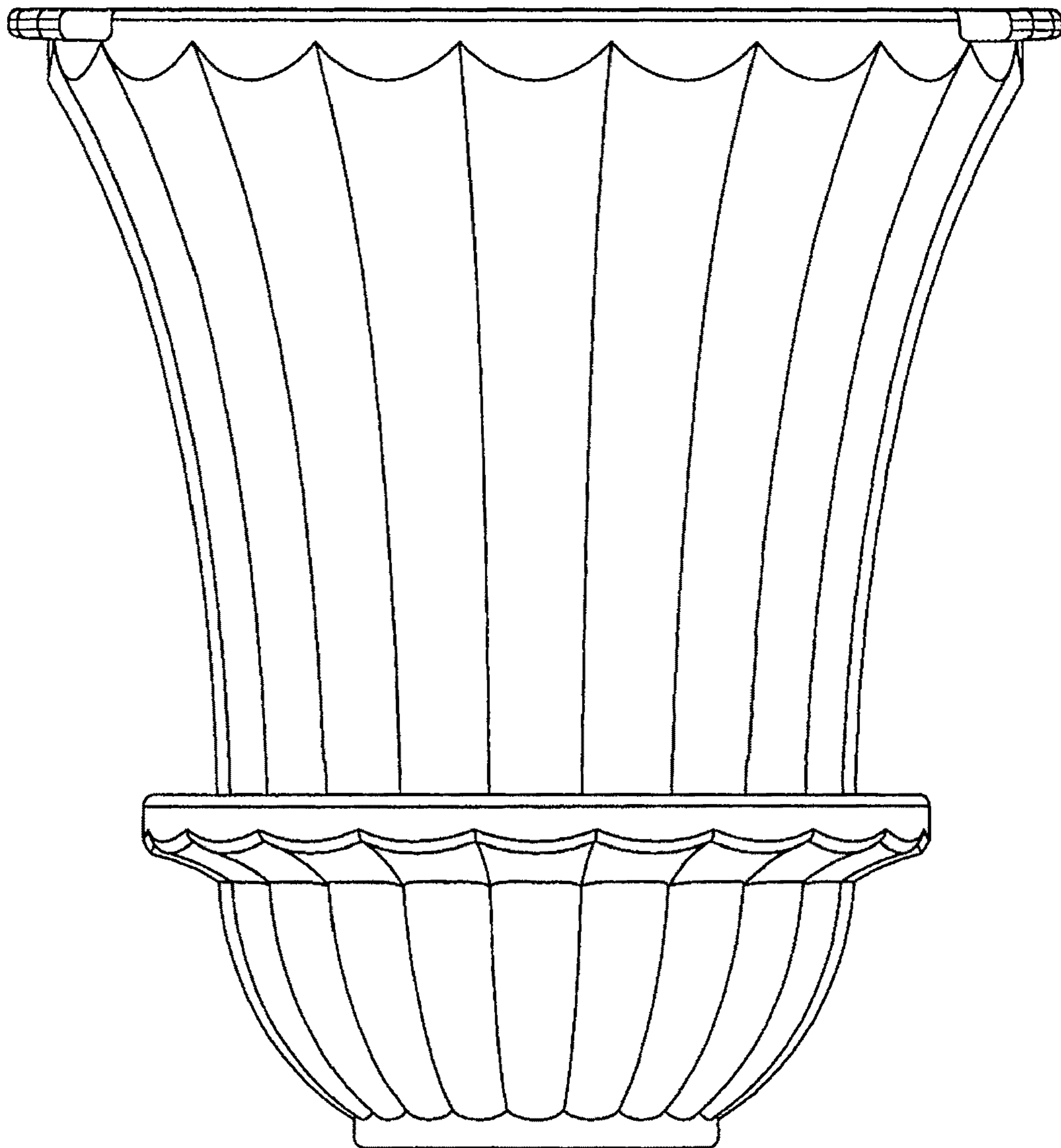


FIG. 4

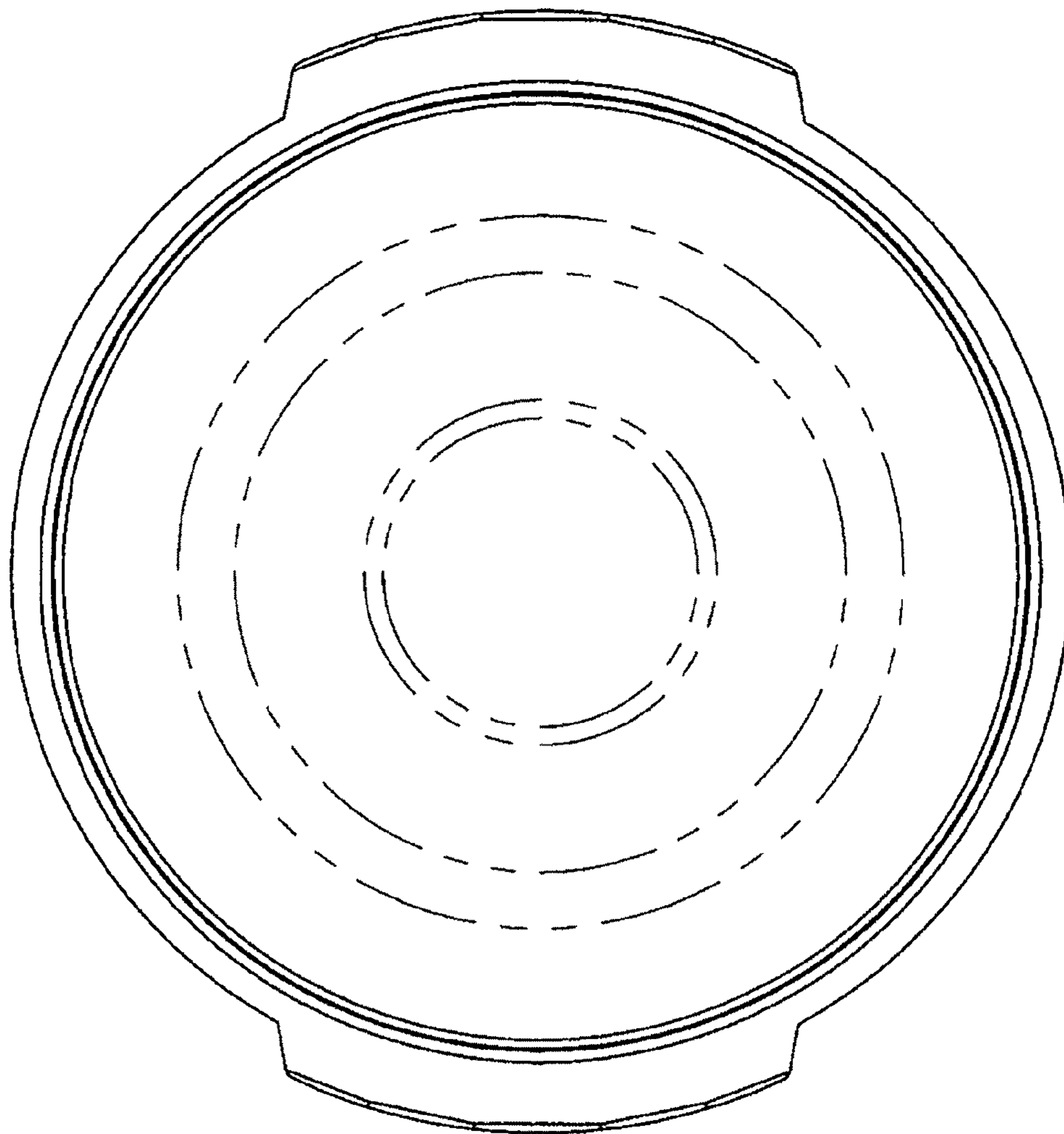


FIG. 5

