



US00D636524S

(12) **United States Design Patent**
Lin

(10) **Patent No.:** **US D636,524 S**

(45) **Date of Patent:** **** Apr. 19, 2011**

(54) **LED LAMP OF STREET LIGHT**

(76) **Inventor:** **Chiu-Min Lin**, Guishan Township,
Taoyuan County (TW)

(**) **Term:** **14 Years**

(21) **Appl. No.:** **29/369,009**

(22) **Filed:** **Sep. 1, 2010**

(51) **LOC (9) Cl.** **26-99**

(52) **U.S. Cl.** **D26/118; D26/71**

(58) **Field of Classification Search** D26/67-71,
D26/85, 92, 118; 362/145, 183, 231, 240,
362/249.02, 249.03, 249.04, 249.06, 249.16,
362/373, 431, 432

See application file for complete search history.

(56) **References Cited**

U.S. PATENT DOCUMENTS

D191,062	S	*	8/1961	Gross	D26/71
D581,580	S	*	11/2008	Townsley	D26/118
D599,048	S	*	8/2009	Xiao et al.	D26/68
D608,927	S	*	1/2010	Hsu et al.	D26/71
D609,839	S	*	2/2010	Wang et al.	D26/71
D614,336	S	*	4/2010	Zheng et al.	D26/71
D615,233	S	*	5/2010	Josefowicz et al.	D26/71
D621,988	S	*	8/2010	Zheng et al.	D26/71

7,771,090	B2	*	8/2010	Chang et al.	362/294
2006/0250803	A1	*	11/2006	Chen	362/373
2007/0147095	A1	*	6/2007	Pursifull	362/640

* cited by examiner

Primary Examiner — Clare E Heflin

(74) *Attorney, Agent, or Firm* — The Weintraub Group,
P.L.C.

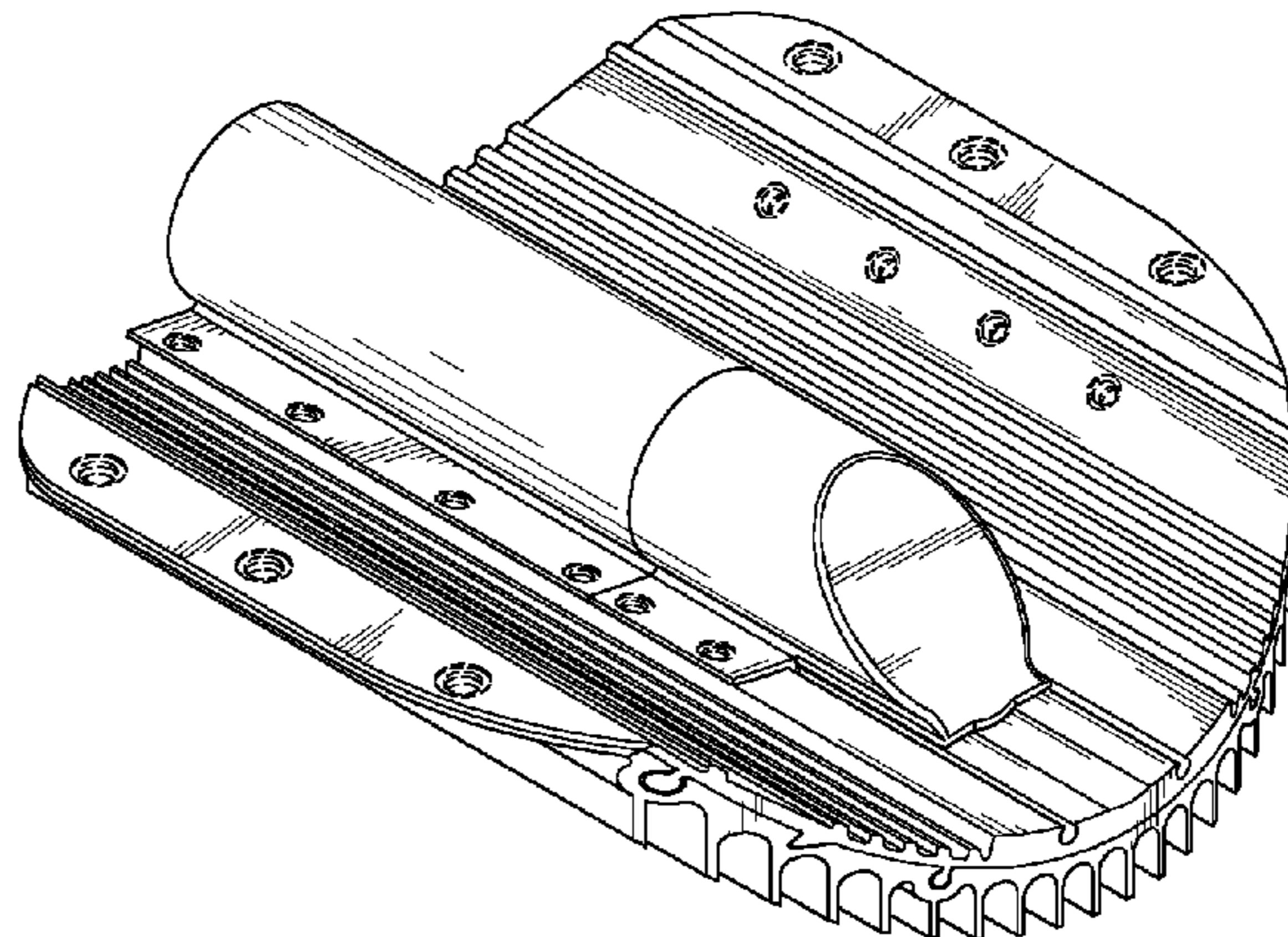
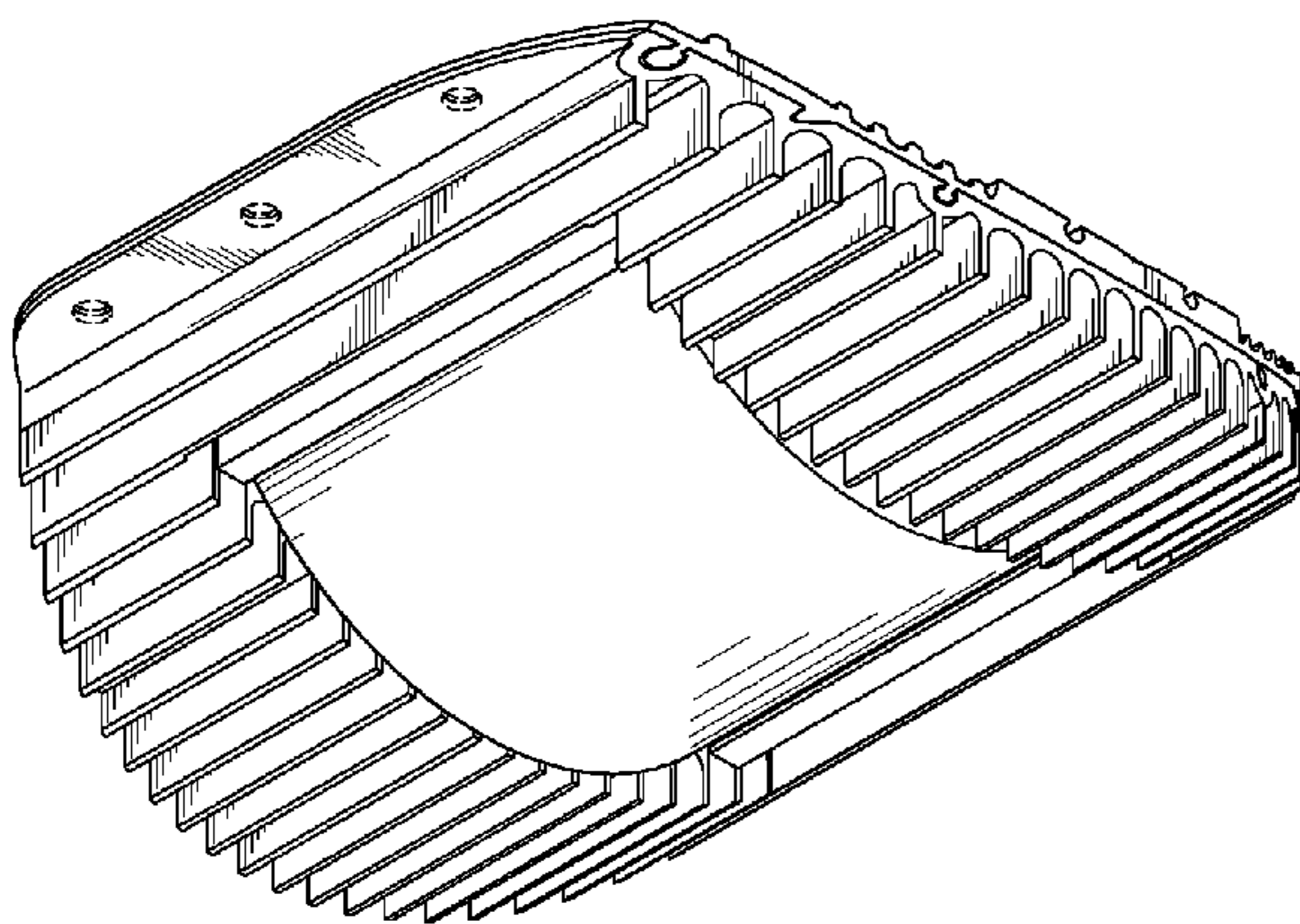
(57) **CLAIM**

The ornamental design for an LED lamp of street light, as shown and described.

DESCRIPTION

FIG. 1 is a bottom perspective view of an LED lamp of street light showing my new design;
FIG. 2 is a front view of FIG. 1;
FIG. 3 is a rear view of FIG. 1;
FIG. 4 is a left view of FIG. 1;
FIG. 5 is a right view of FIG. 1;
FIG. 6 is a top view of FIG. 1;
FIG. 7 is a bottom view of FIG. 1; and,
FIG. 8 is a top perspective view of FIG. 1.
The broken lines illustrate portions of the LED lamp of street light, which form no part of the claimed design.

1 Claim, 8 Drawing Sheets



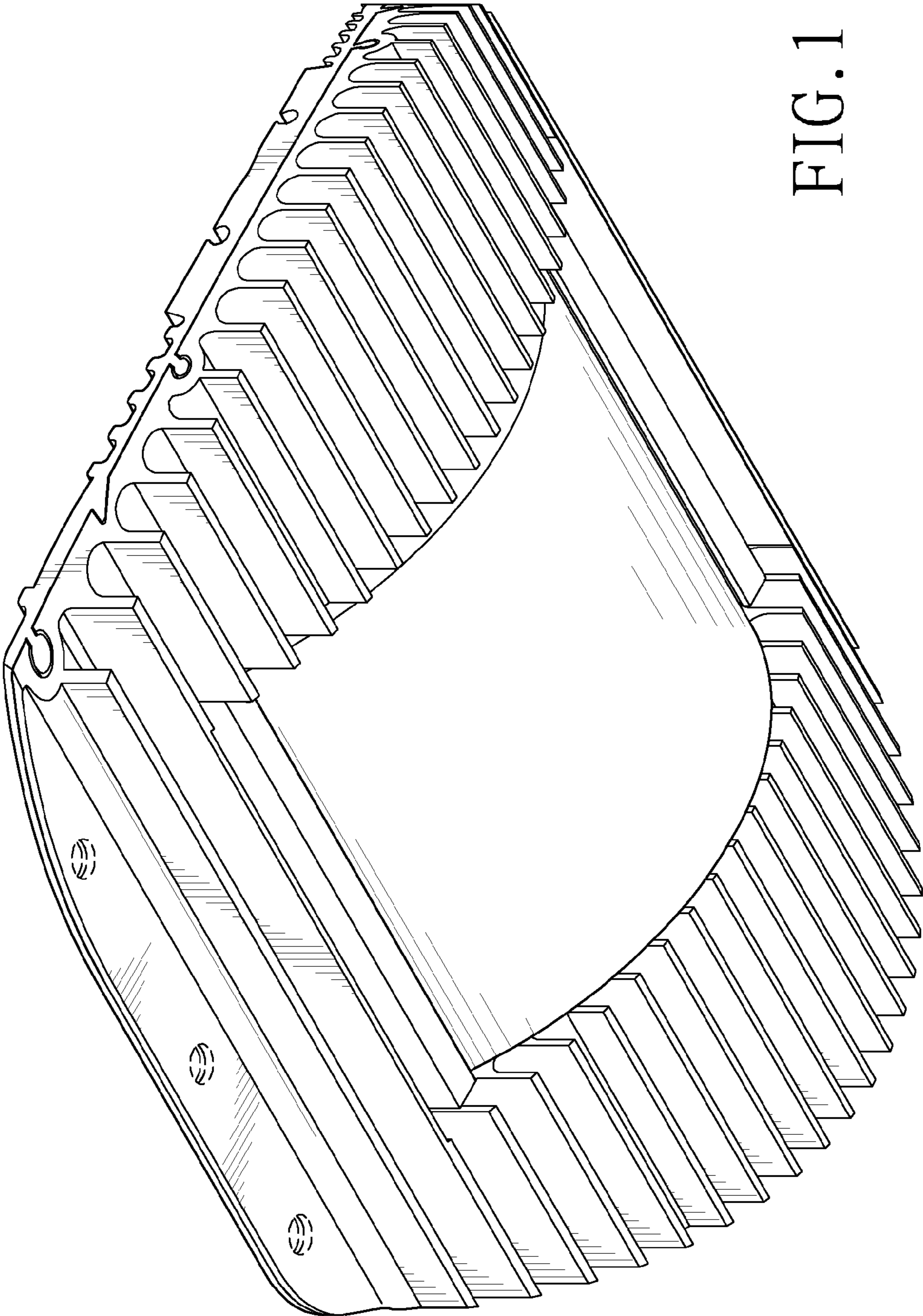


FIG. 1

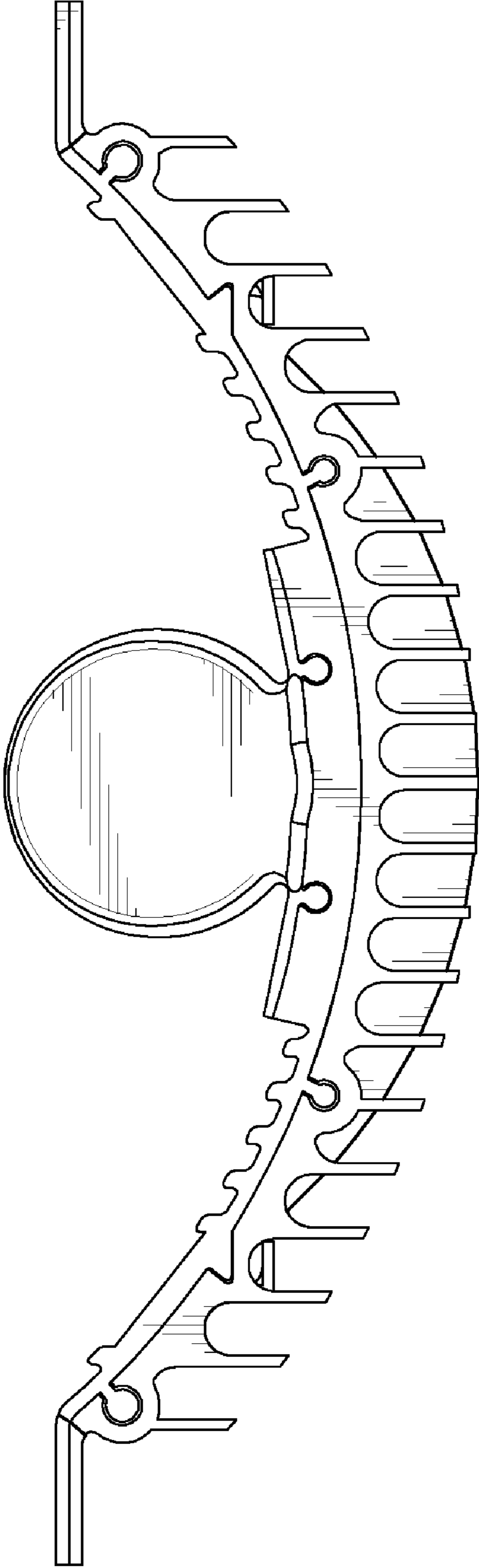


FIG. 2

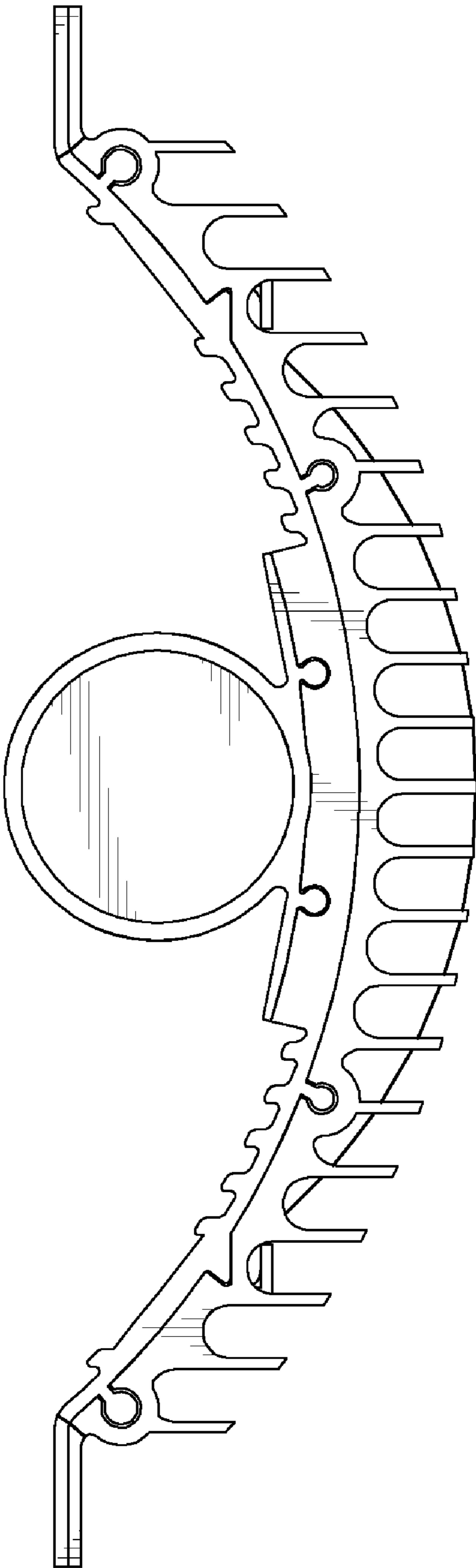


FIG. 3

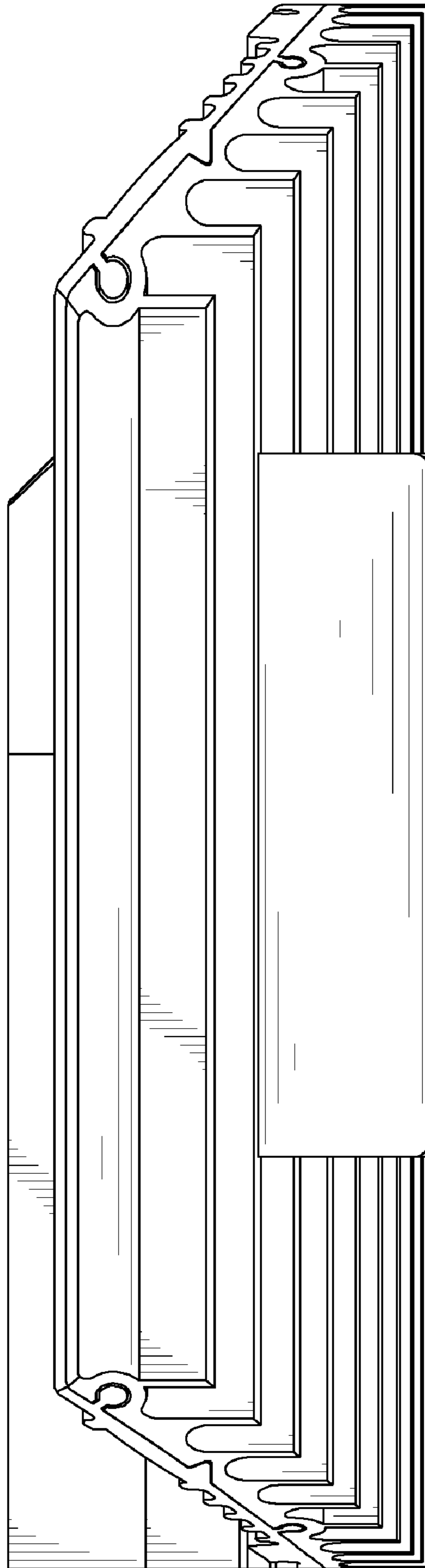


FIG. 4

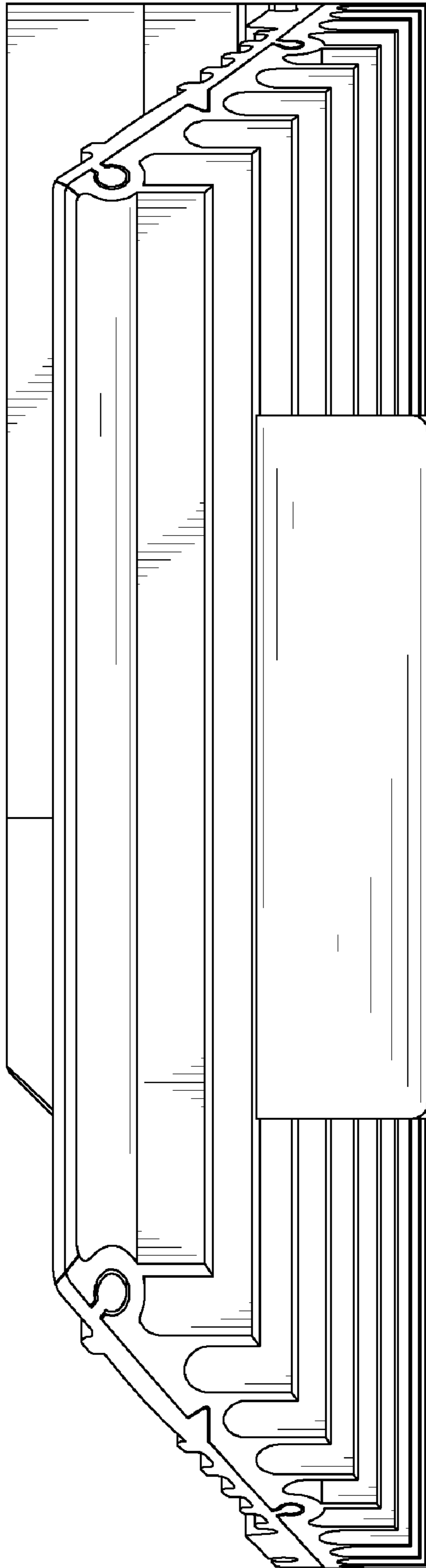


FIG. 5

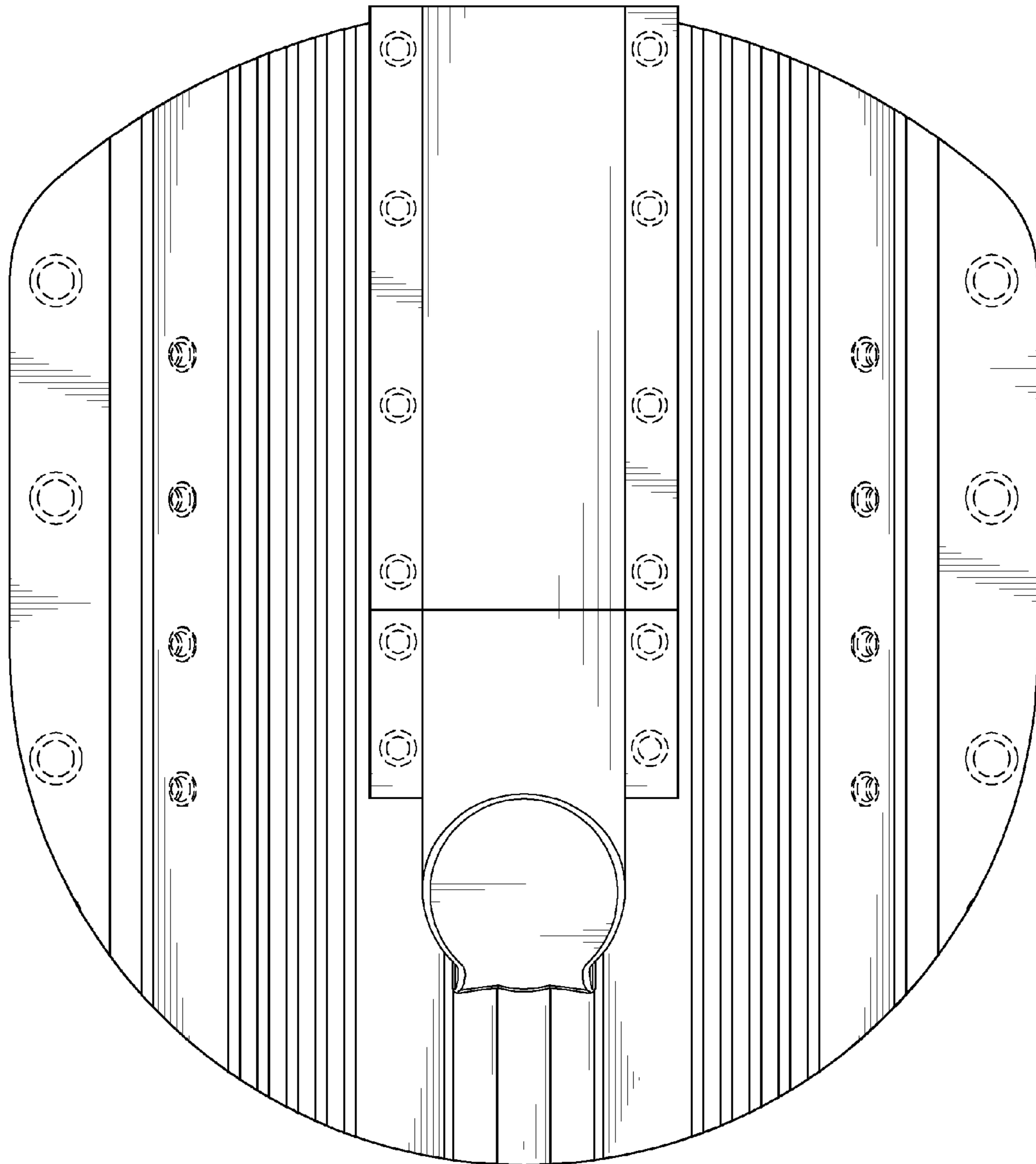


FIG. 6

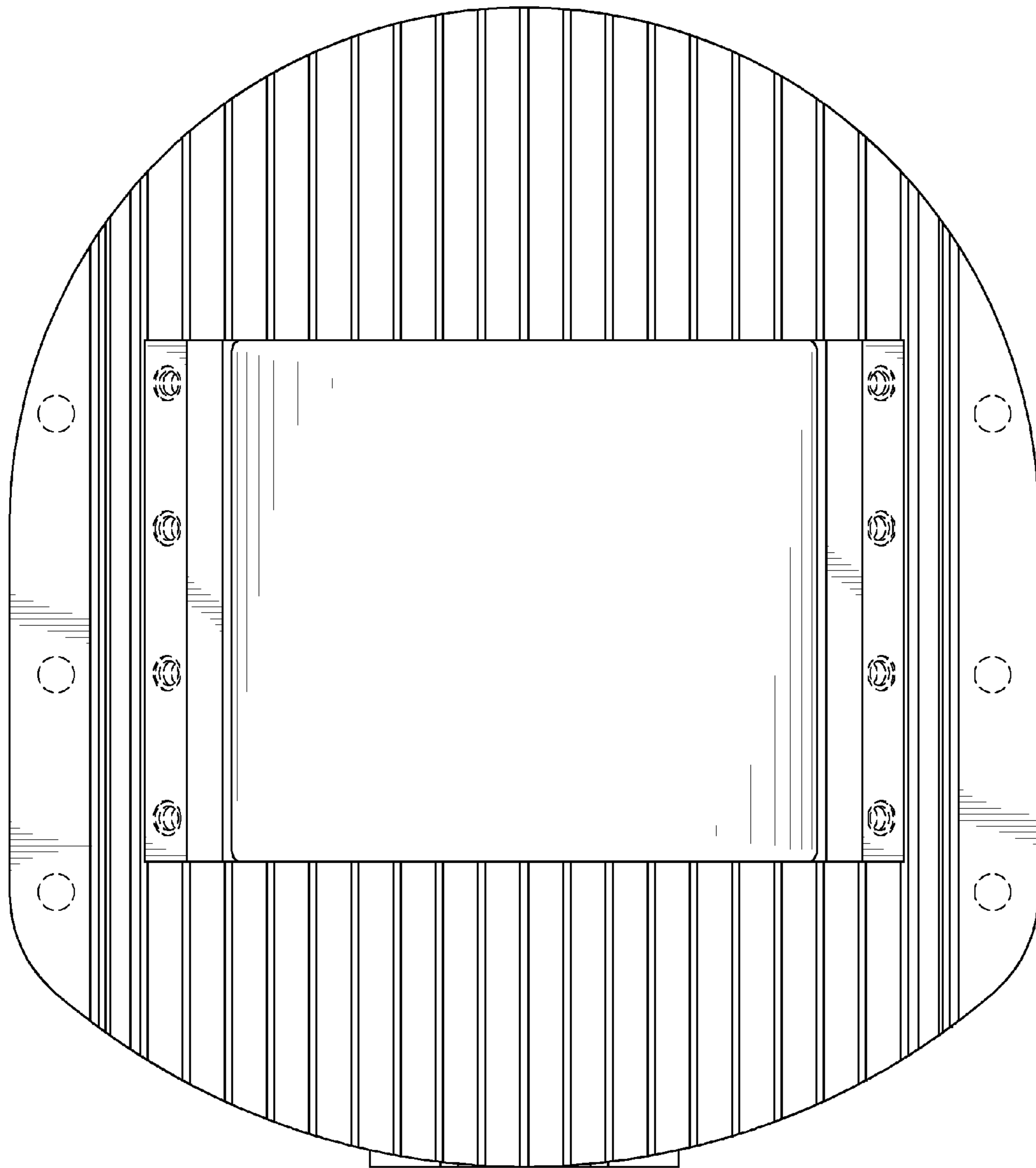


FIG. 7

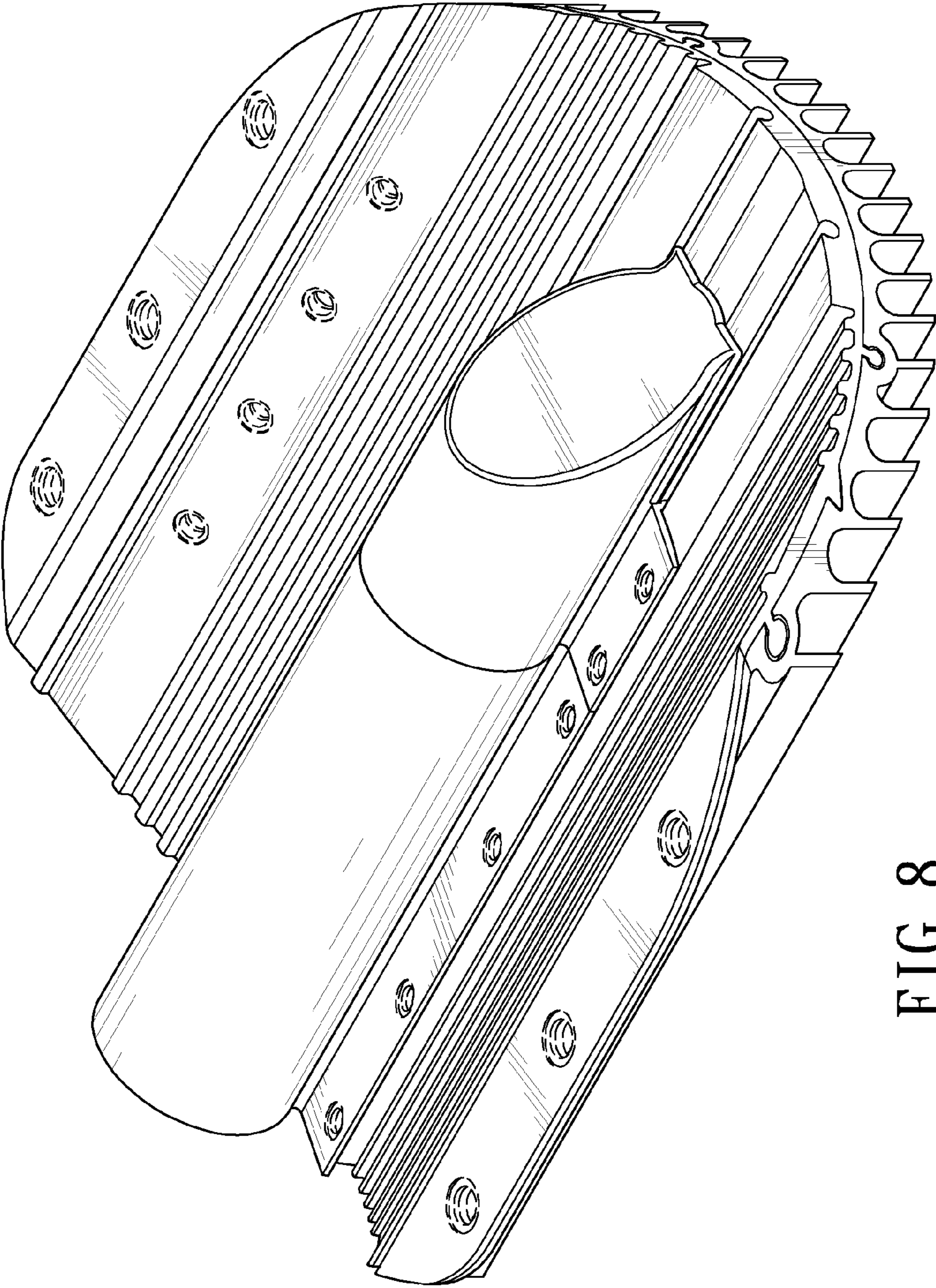


FIG. 8