



US00D636523S

(12) **United States Design Patent**
Chujo et al.

(10) **Patent No.:** **US D636,523 S**

(45) **Date of Patent:** **** Apr. 19, 2011**

(54) **LIGHT GUIDING MEMBER**

(56) **References Cited**

(75) Inventors: **Hideki Chujo**, Kyoto (JP); **Atsunobu Fujii**, Kyoto (JP); **Toshimitsu Fujiwara**, Kyoto (JP)

U.S. PATENT DOCUMENTS

2,140,972	A *	12/1938	Rylsky	362/26
D178,068	S *	6/1956	Katz	D11/17
4,367,519	A *	1/1983	Houghton et al.	362/477
D269,768	S *	7/1983	Terry	D11/47
5,349,504	A *	9/1994	Simms et al.	362/555
6,238,076	B1 *	5/2001	Pascale et al.	362/558
6,320,182	B1 *	11/2001	Hubble et al.	250/216
6,431,738	B1 *	8/2002	Kondo et al.	362/517
D464,907	S *	10/2002	Jacobs	D11/95
6,741,406	B2 *	5/2004	Kitamura et al.	359/819
7,046,230	B2 *	5/2006	Zadesky et al.	345/156
7,110,326	B2 *	9/2006	Besse	368/37
7,123,419	B1 *	10/2006	Simon	359/641
D546,363	S *	7/2007	Tokiwa et al.	D16/219

(73) Assignee: **Omron Corporation**, Kyoto (JP)

(**) Term: **14 Years**

(21) Appl. No.: **29/324,963**

(22) Filed: **Sep. 24, 2008**

(30) **Foreign Application Priority Data**

Mar. 28, 2008 (JP) D 2008-007816

(51) **LOC (9) Cl.** **26-99**

(52) **U.S. Cl.** **D26/113**

(58) **Field of Classification Search** D26/85,
D26/133, 134, 136, 122, 138, 118, 131, 137,
D26/124, 69, 68, 67, 71, 125, 149, 147, 156,
D26/94, 73, 32, 47, 57, 152, 74, 142, 2, 52,
D26/72, 113, 140, 60, 51, 38, 135, 119, 120,
D26/121, 123; D8/71, 72, 395, 328; D19/65,
D19/90; 248/206.5, 389, 229.13, 229.15;
D32/8, 55, 58; 211/106, 119.01, 119.09,
211/85.15; 439/540.1; 362/183, 249.01–249.11,
362/356, 365, 523, 190, 191, 351, 352, 357,
362/358, 615, 241, 246, 612, 613, 101; D24/99,
D24/327, 134, 227; D2/624; 24/316, 306,
24/339, 3.1, 3.11, 3.12; D6/557, 462; 52/19,
52/28; 8/38; D14/511, 496, 389, 507, 203.1,
D14/217, 299; D11/7, 9, 10, 15, 21, 43,
D11/45, 85, 89; D13/179, 180, 181; D16/213,
D16/218, 101, 317, 134; 40/546; 63/35;
D7/553.6, 554.2, 388, 624.1, 625; 313/491,
313/493, 584

See application file for complete search history.

Primary Examiner — Cathron C Brooks

Assistant Examiner — Kevin K Rudzinski

(74) *Attorney, Agent, or Firm* — Harness, Dickey & Pierce, P.L.C.

(57) **CLAIM**

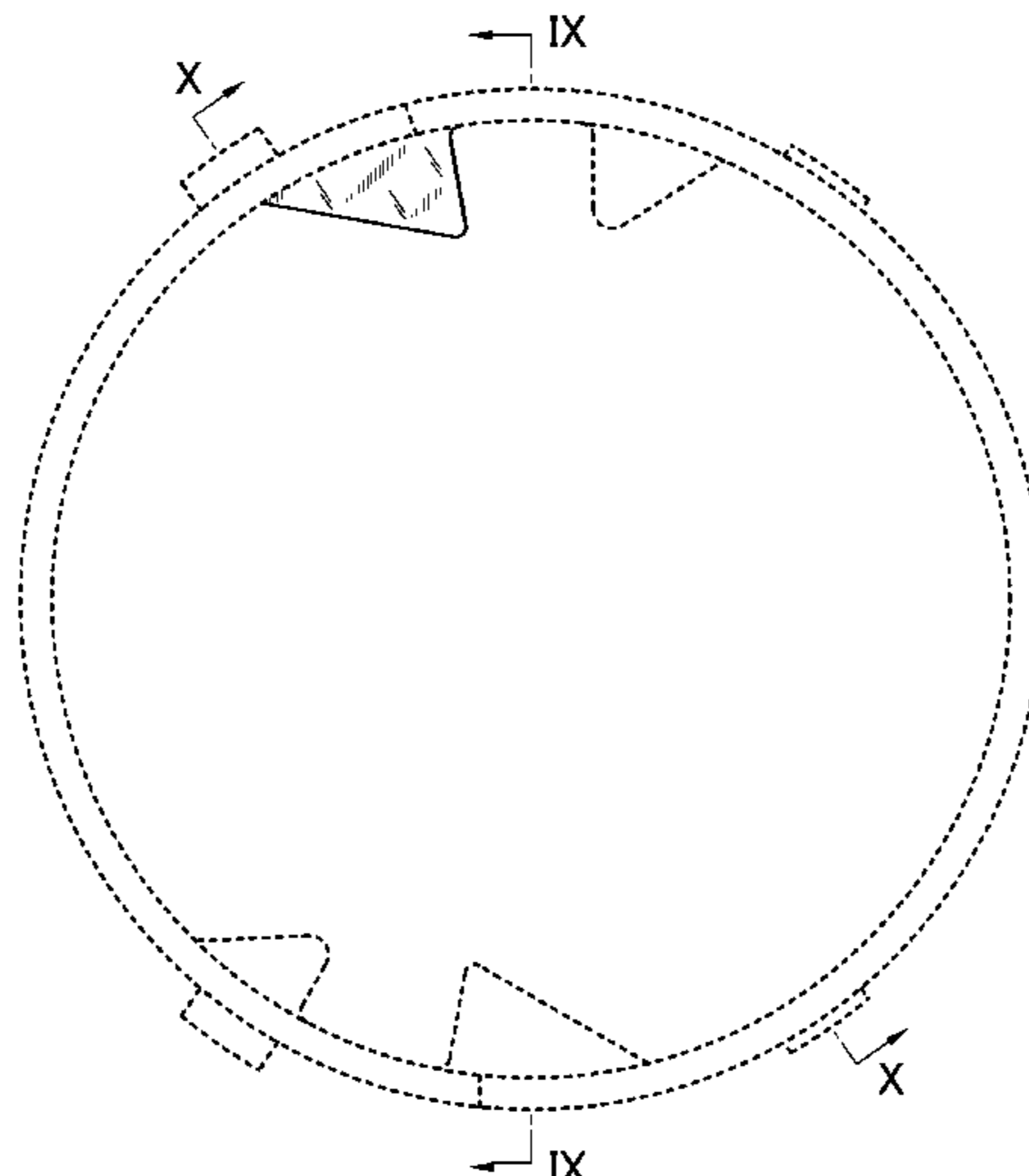
The ornamental design for a light guiding member, as shown and described.

DESCRIPTION

FIG. 1 is a front perspective view of a light guiding member showing our new design;
FIG. 2 is a rear perspective view thereof;
FIG. 3 is a front elevational view thereof;
FIG. 4 is a rear elevational view thereof;
FIG. 5 is a left side view thereof;
FIG. 6 is a right side view thereof;
FIG. 7 is a top plan view thereof;
FIG. 8 is a bottom plan view thereof;
FIG. 9 is a cross-sectional view taken along the line of IX—IX of FIG. 3; and,
FIG. 10 is a cross-sectional view taken along the line of X—X of FIG. 3.

The broken lines illustrate environmental structure and form no part of the claimed design. The oblique short lines in the drawings are intended to illustrate that the surface is transparent.

1 Claim, 7 Drawing Sheets



US D636,523 S

Page 2

U.S. PATENT DOCUMENTS

7,249,869	B2 *	7/2007	Takahashi et al.	362/300	2003/0184499	A1 *	10/2003	Miyashita	345/30
7,422,353	B2 *	9/2008	Tenmyo	362/551	2004/0252109	A1 *	12/2004	Trent et al.	345/174
7,433,272	B2 *	10/2008	Watanabe	368/37	2005/0007751	A1 *	1/2005	Tsai	362/23
D587,908	S *	3/2009	Carlson	D5/63	2008/0144313	A1 *	6/2008	Zhao et al.	362/241
7,524,091	B2 *	4/2009	King	362/311.01	2008/0205056	A1 *	8/2008	Fujiwara et al.	362/246

* cited by examiner

Fig. 1

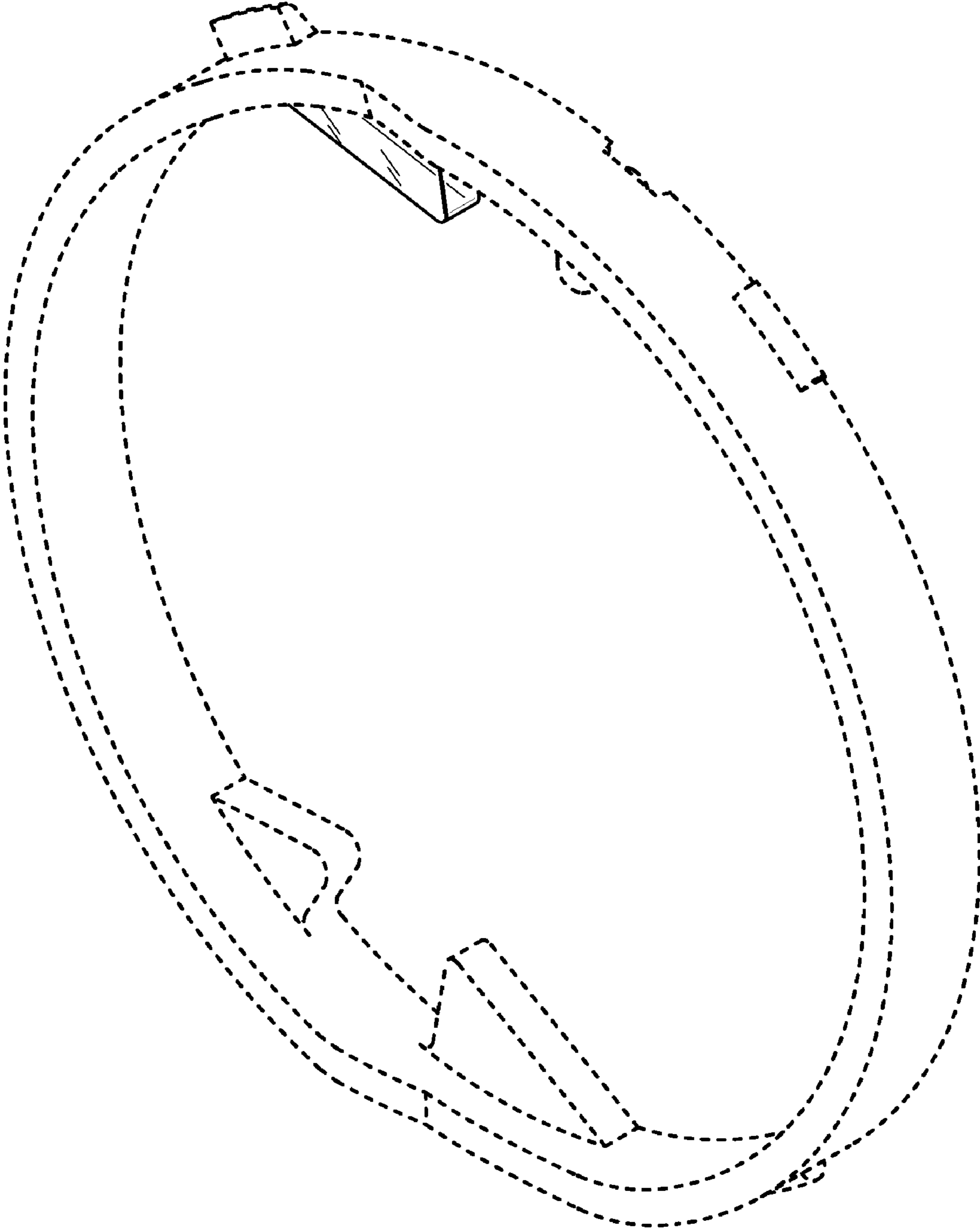


Fig. 2

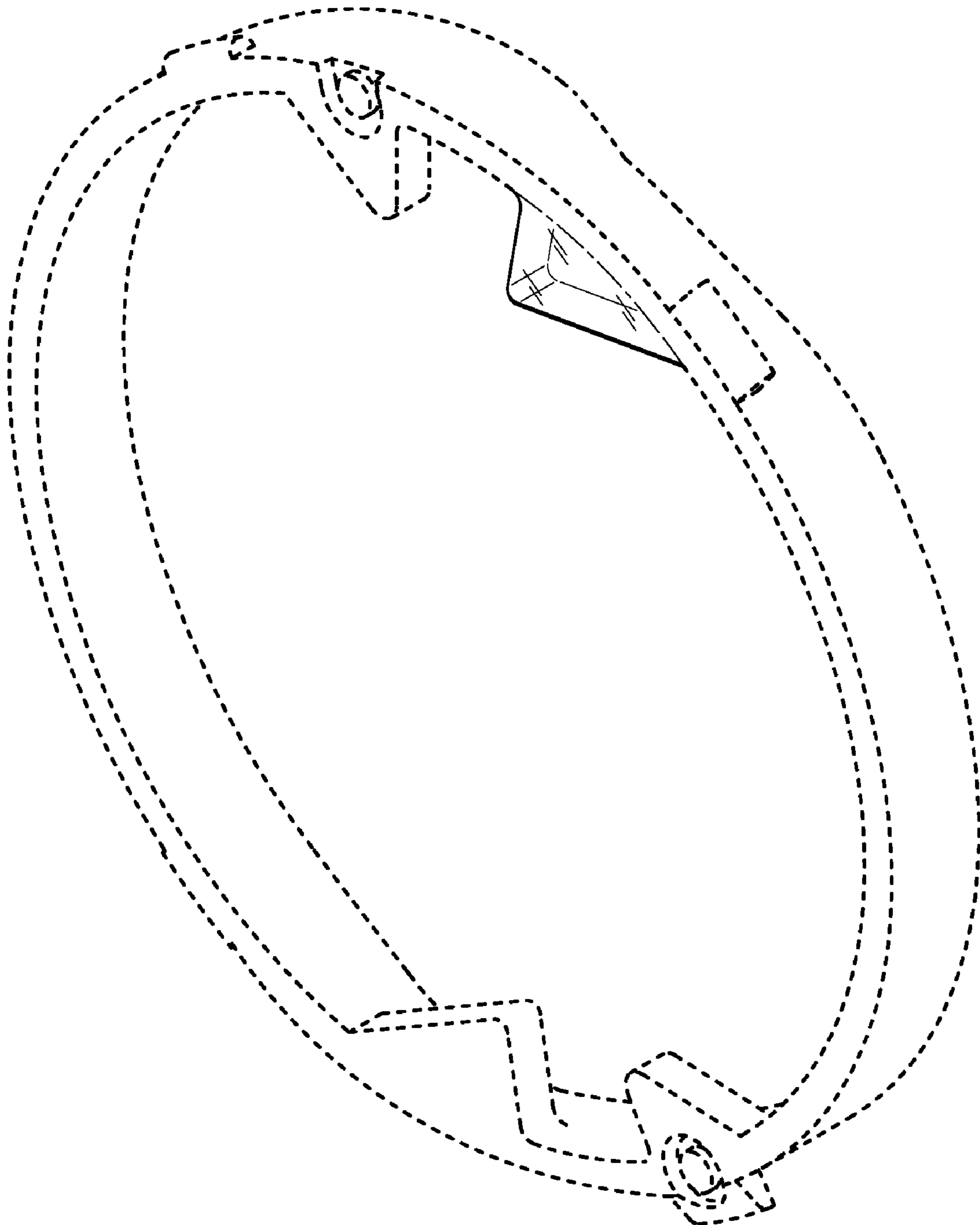


Fig. 3

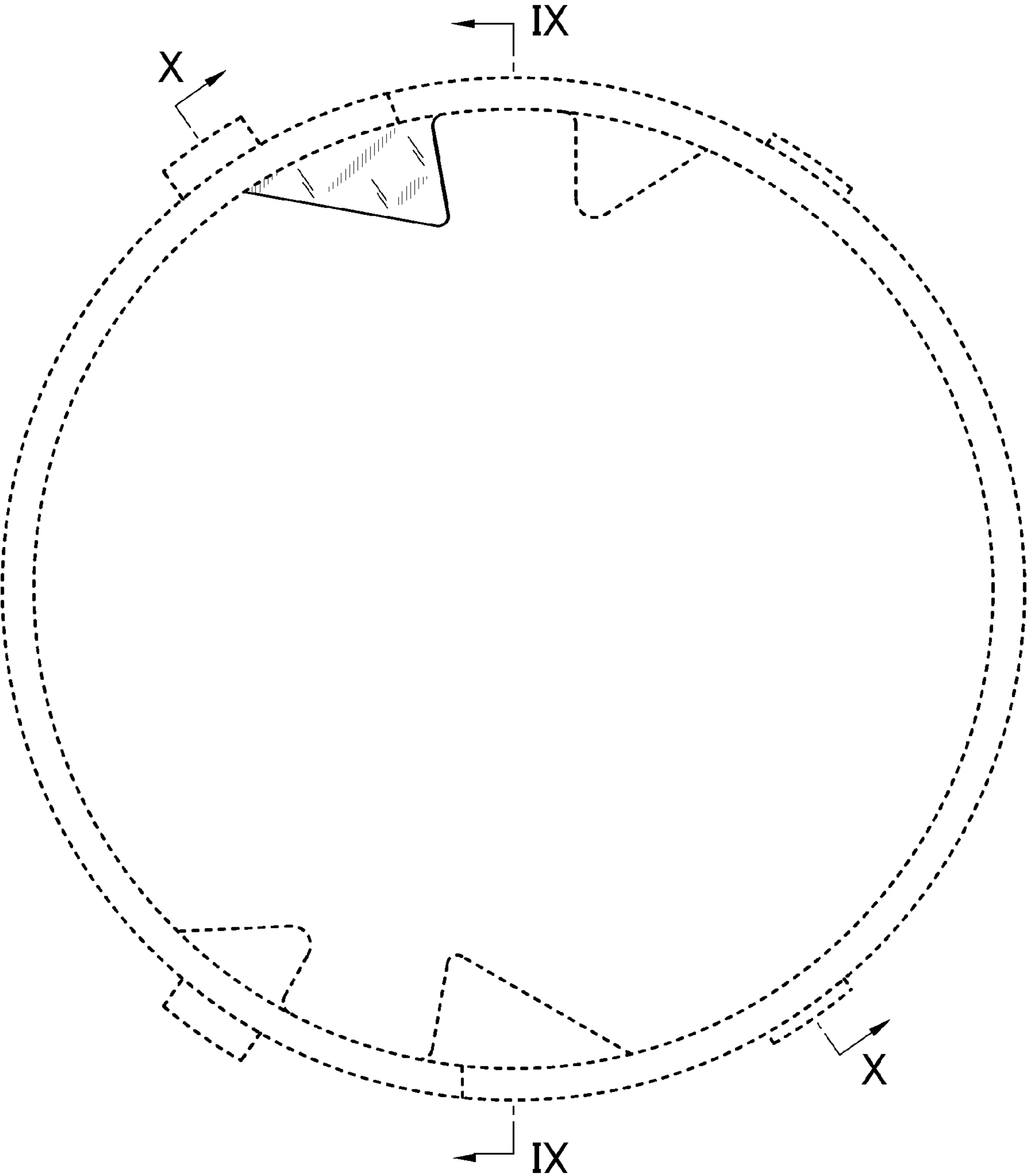


Fig. 4

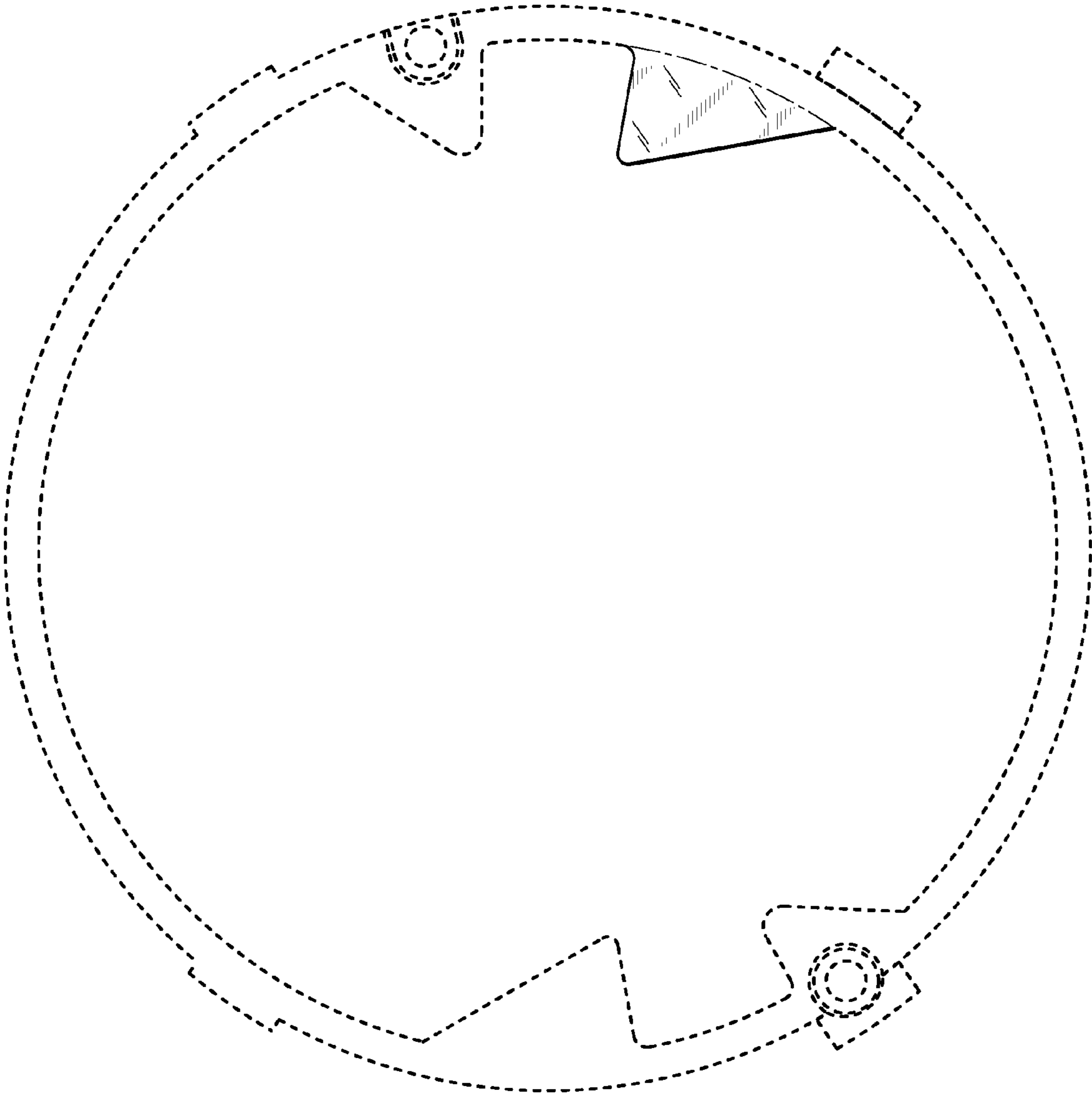


Fig. 5

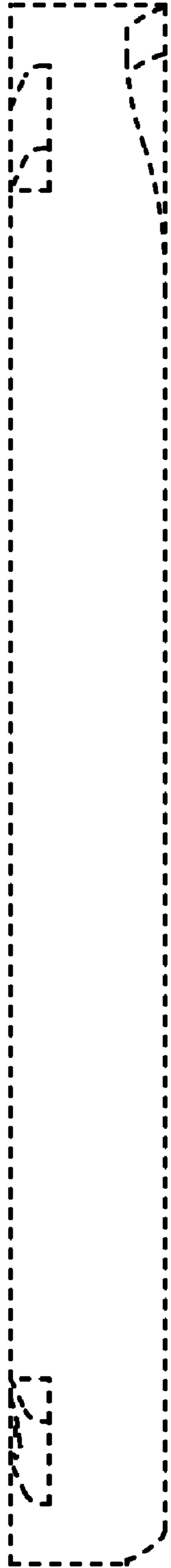


Fig. 6

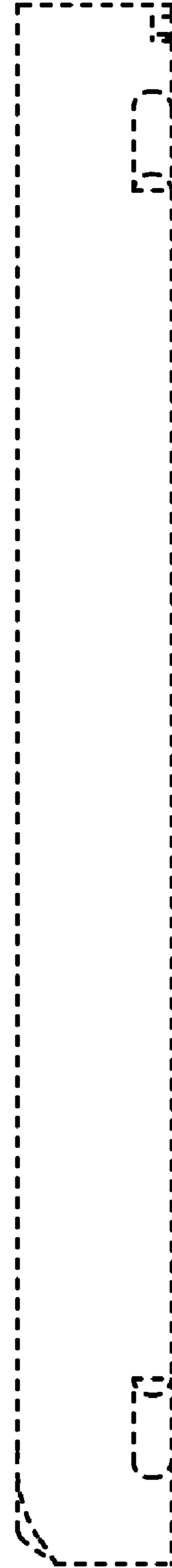


Fig. 7



Fig. 8

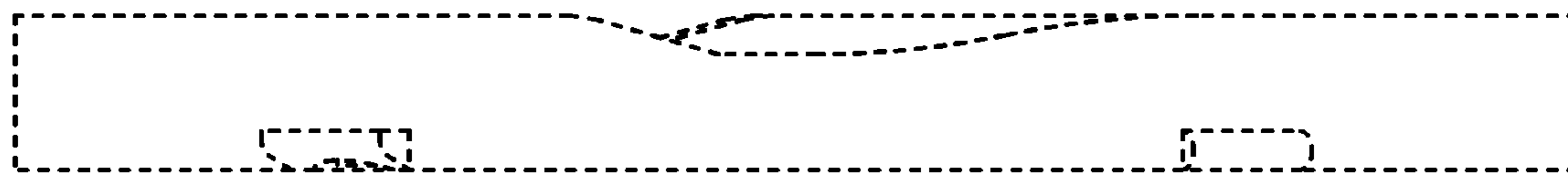


Fig. 9

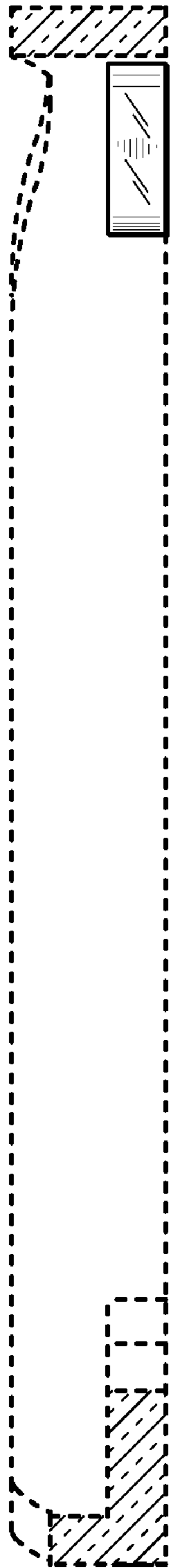


Fig. 10

