

US00D636518S

(12) **United States Design Patent**
Nevins

(10) **Patent No.:** **US D636,518 S**

(45) **Date of Patent:** **** Apr. 19, 2011**

(54) **LIGHT FIXTURE**

(76) Inventor: **Michael Olen Nevins**, Jackson, MI (US)

(**) Term: **14 Years**

(21) Appl. No.: **29/375,963**

(22) Filed: **Sep. 30, 2010**

Related U.S. Application Data

(62) Division of application No. 12/774,551, filed on May 5, 2010.

(51) **LOC (9) Cl.** **26-05**

(52) **U.S. Cl.** **D26/71**

(58) **Field of Classification Search** D26/67-71,
D26/85, 92; 362/145, 183, 231, 240, 249.02,
362/249.03, 249.04, 249.06, 249.16, 373,
362/431, 432

See application file for complete search history.

(56) **References Cited**

U.S. PATENT DOCUMENTS

D99,661	S	*	5/1936	Gosling	D26/68
D170,877	S	*	11/1953	Loehr	D26/71
D201,765	S	*	7/1965	Mos	D26/71
D206,240	S	*	11/1966	Hoy	D26/71
D210,239	S	*	2/1968	Bobrick	D26/68
4,160,286	A	*	7/1979	Merritt	362/311.04
D264,135	S	*	4/1982	Zwillich et al.	D26/71
D346,237	S	*	4/1994	Schreder	D26/71

D347,080	S	*	5/1994	Mehaffey et al.	D26/71
D570,521	S	*	6/2008	Belleau	D26/85
7,420,811	B2	*	9/2008	Chan	361/709
D588,292	S	*	3/2009	Sabernig	D26/71
D599,939	S	*	9/2009	Zheng et al.	D26/71
D611,181	S	*	3/2010	Tsai et al.	D26/71
D622,889	S	*	8/2010	Zheng	D26/71
2009/0310381	A1	*	12/2009	Chang et al.	362/555

* cited by examiner

Primary Examiner — Clare E Heflin

(74) *Attorney, Agent, or Firm* — Lowe Hauptman Ham & Berner, LLP

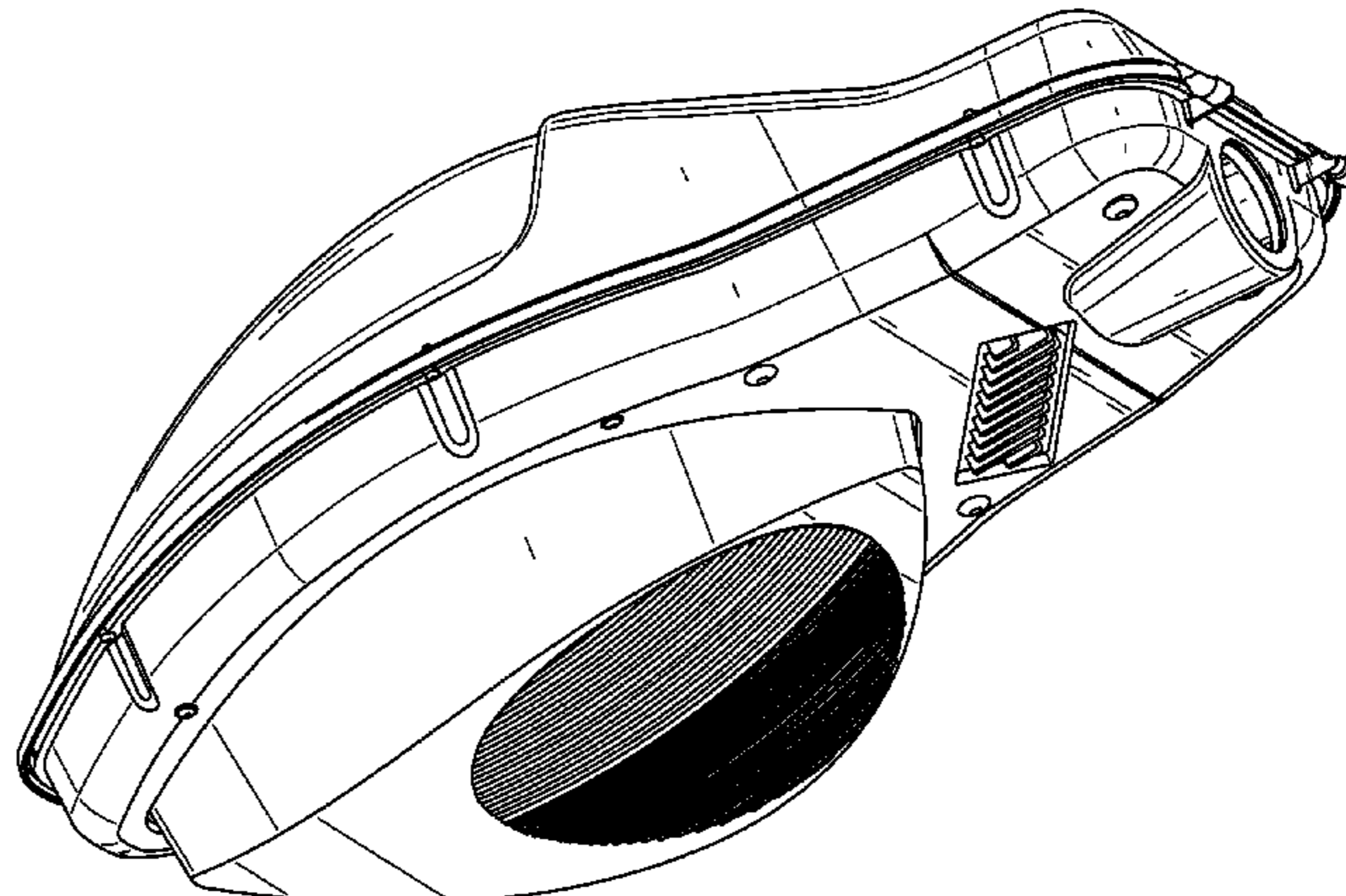
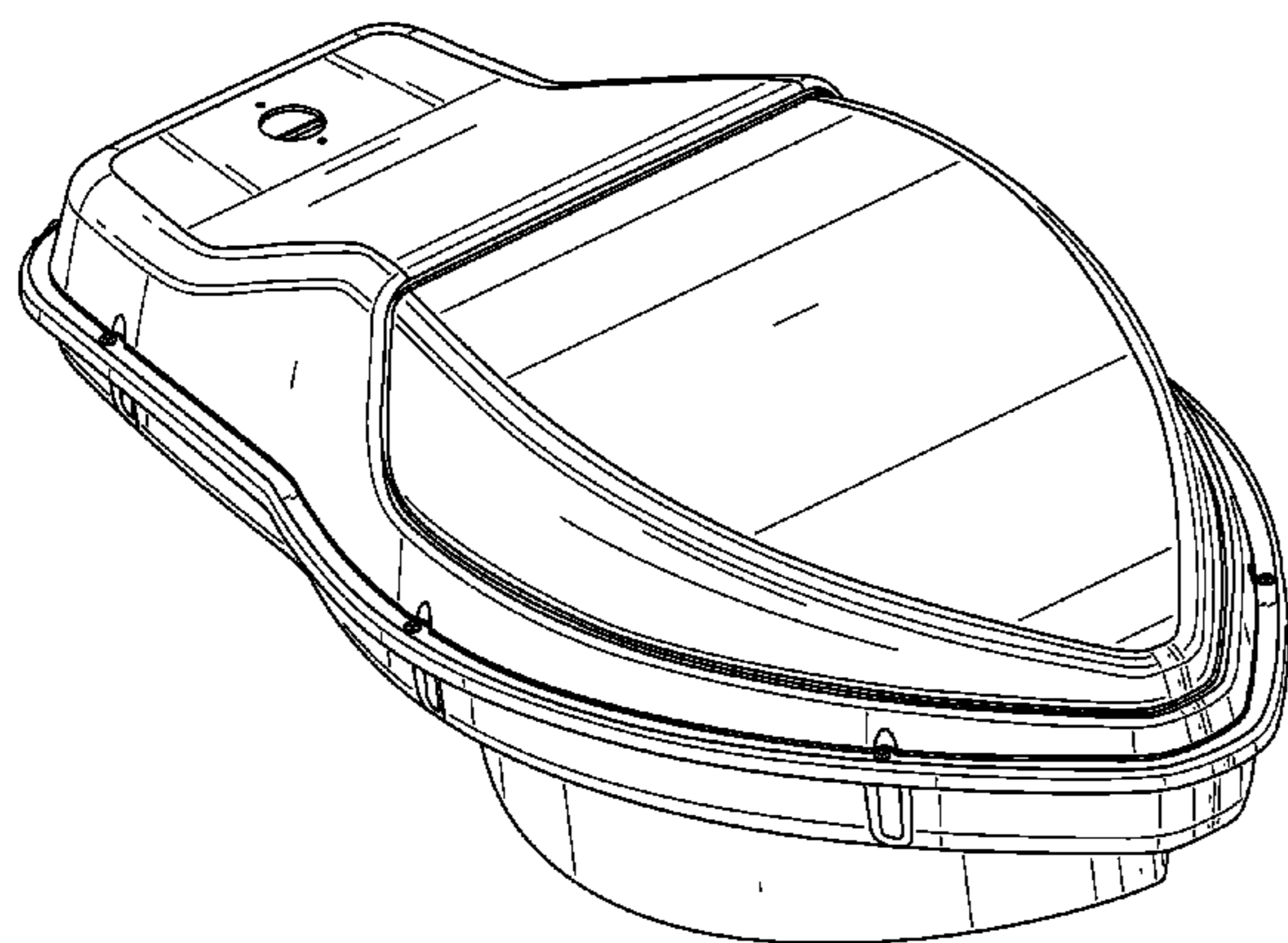
(57) **CLAIM**

The ornamental design for a light fixture, as shown.

DESCRIPTION

FIG. 1 is a front view of the light fixture;
 FIG. 2 is a rear view of the light fixture;
 FIG. 3 is a left side view of the fixture;
 FIG. 4 is a right side view of the light fixture;
 FIG. 5 is a rear perspective view of the light fixture;
 FIG. 6 is a top, left side, front perspective view of the light fixture;
 FIG. 7 is a rear, left side, front perspective view of the light fixture;
 FIG. 8 is a bottom, right side perspective view of the light fixture;
 FIG. 9 top view of the light fixture; and,
 FIG. 10 is a bottom view of the light fixture.

1 Claim, 10 Drawing Sheets



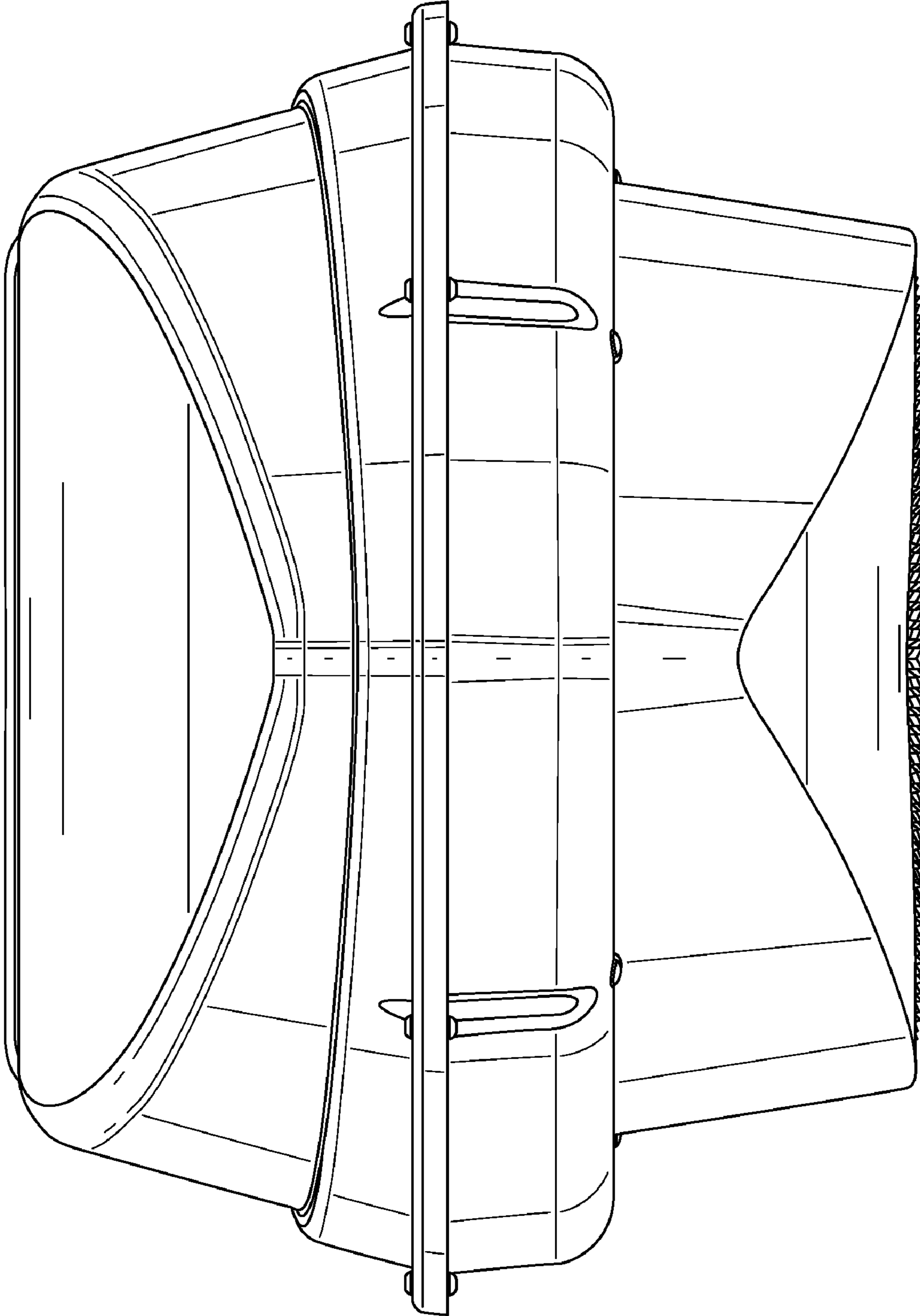


FIG. 1

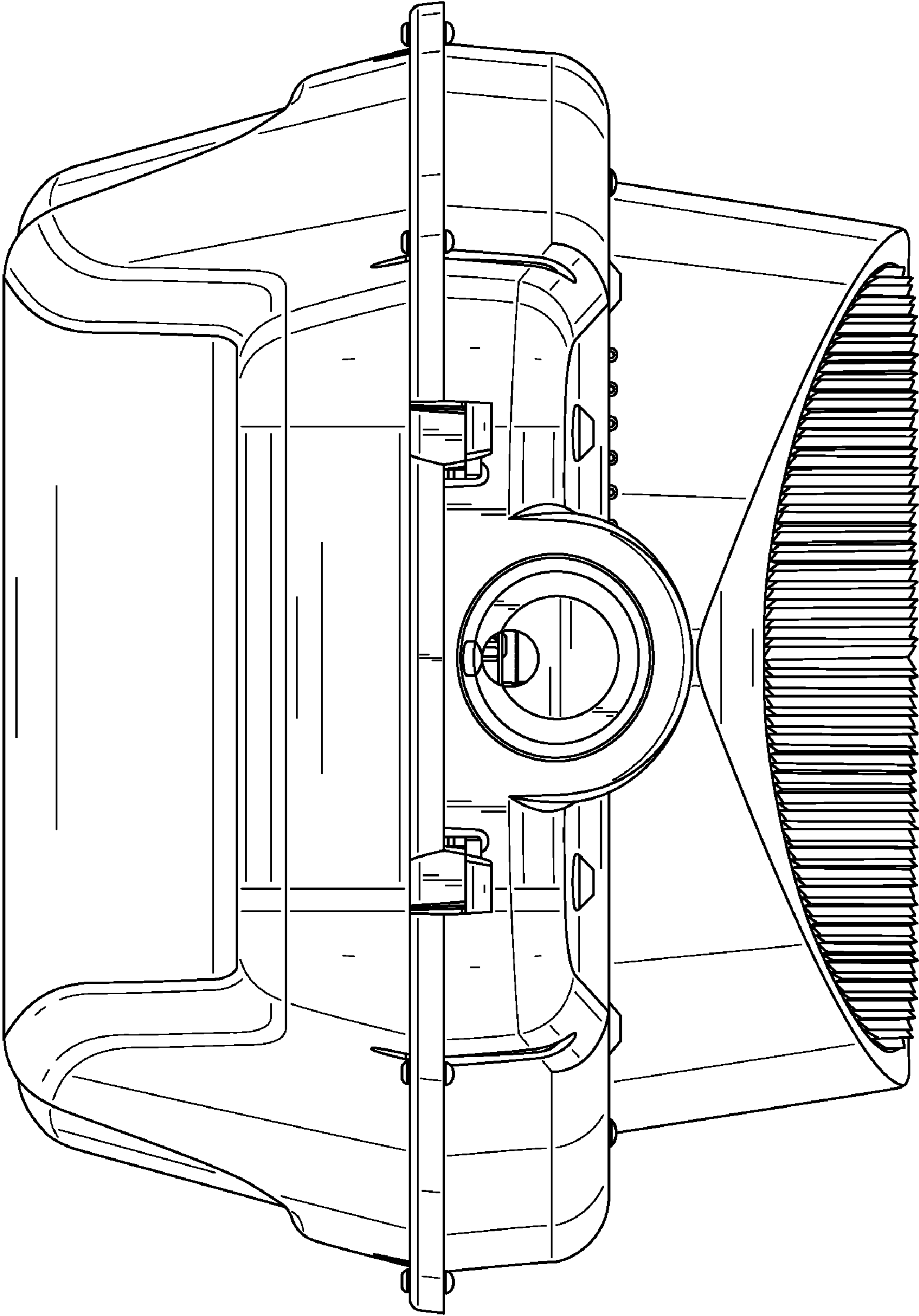


FIG. 2

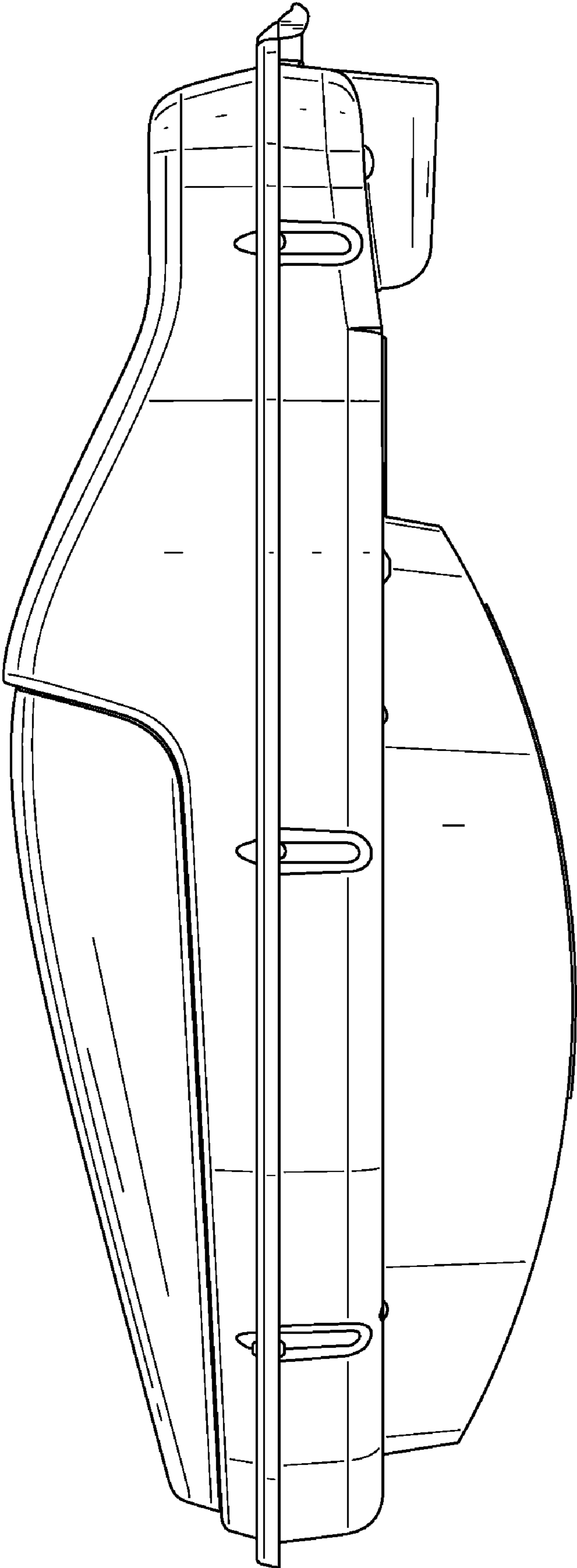


FIG. 3

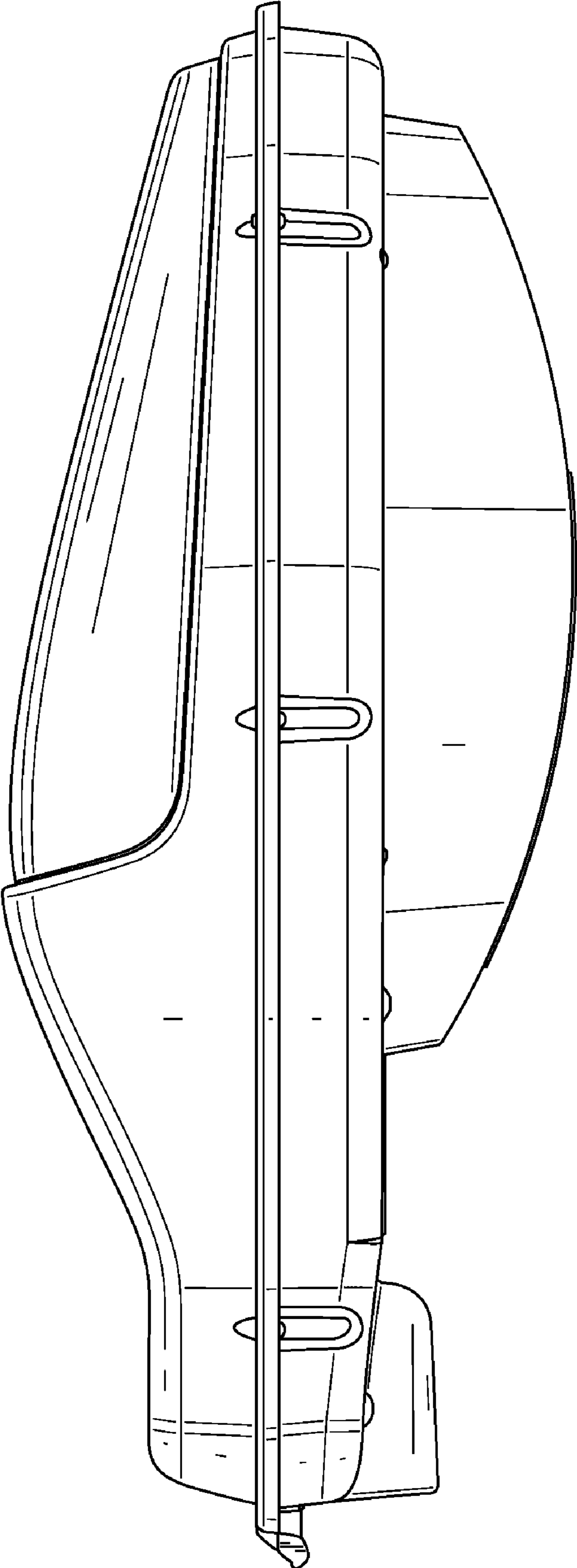


FIG. 4

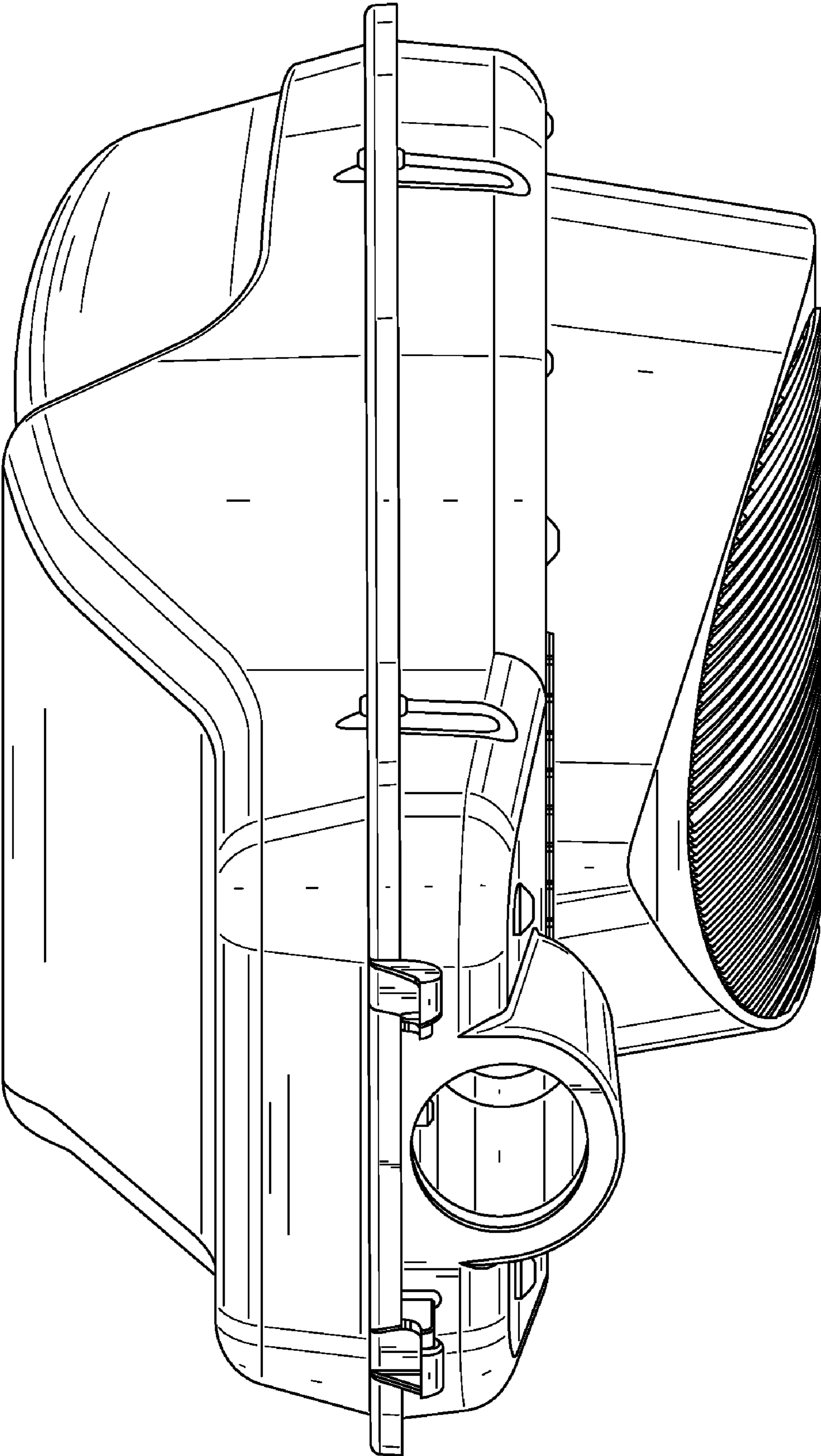


FIG. 5

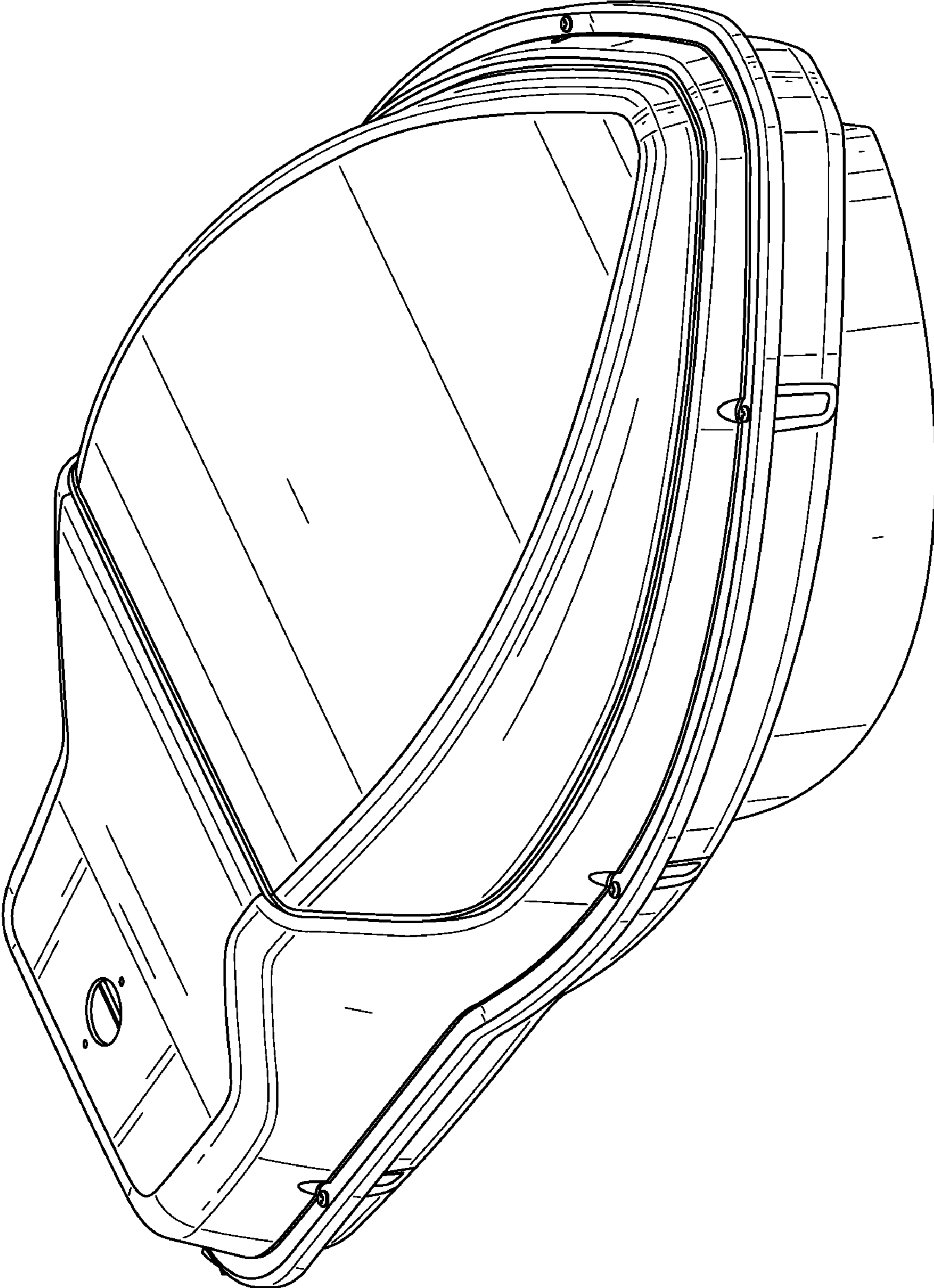


FIG. 6

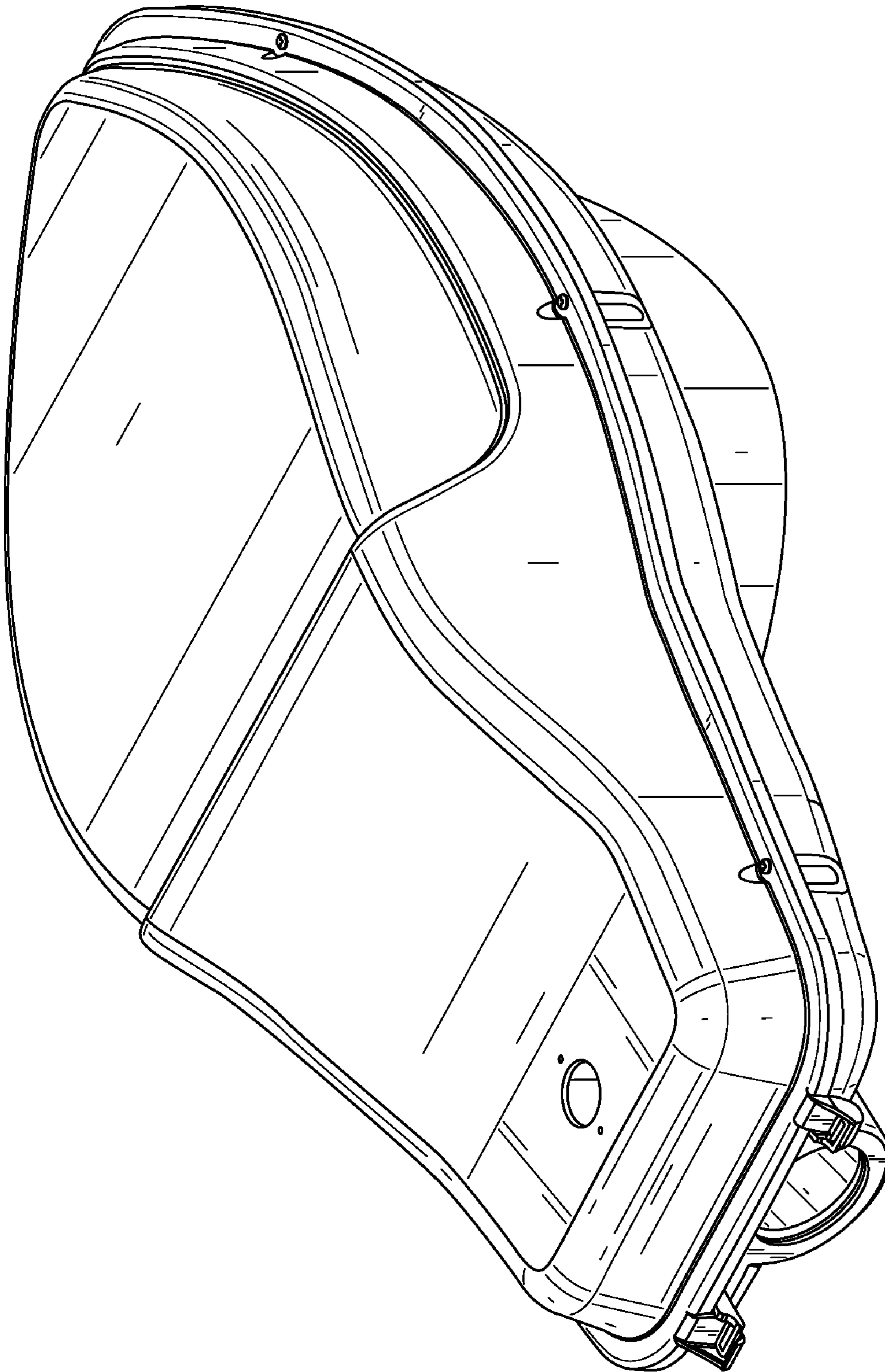


FIG. 7

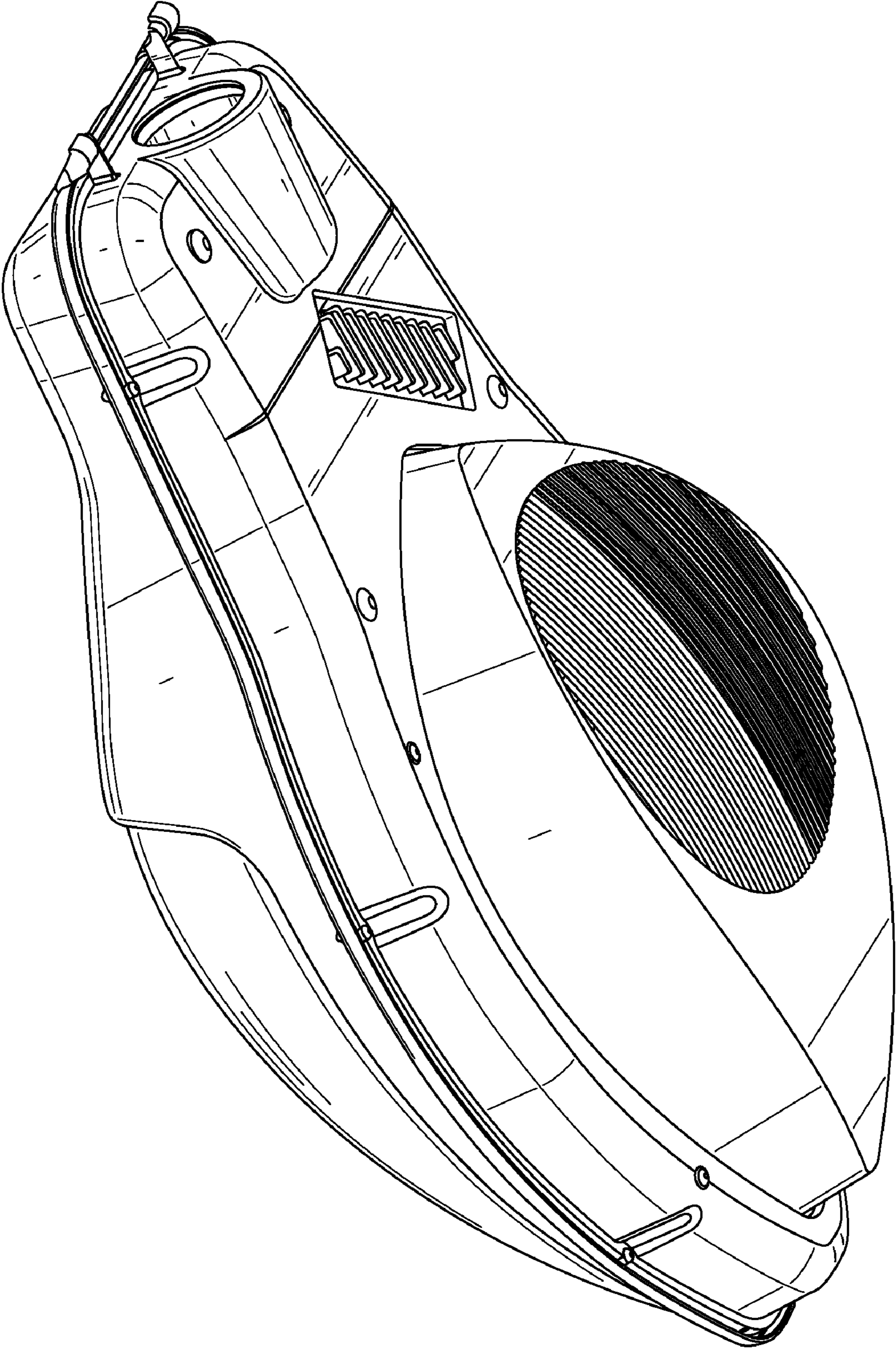


FIG. 8

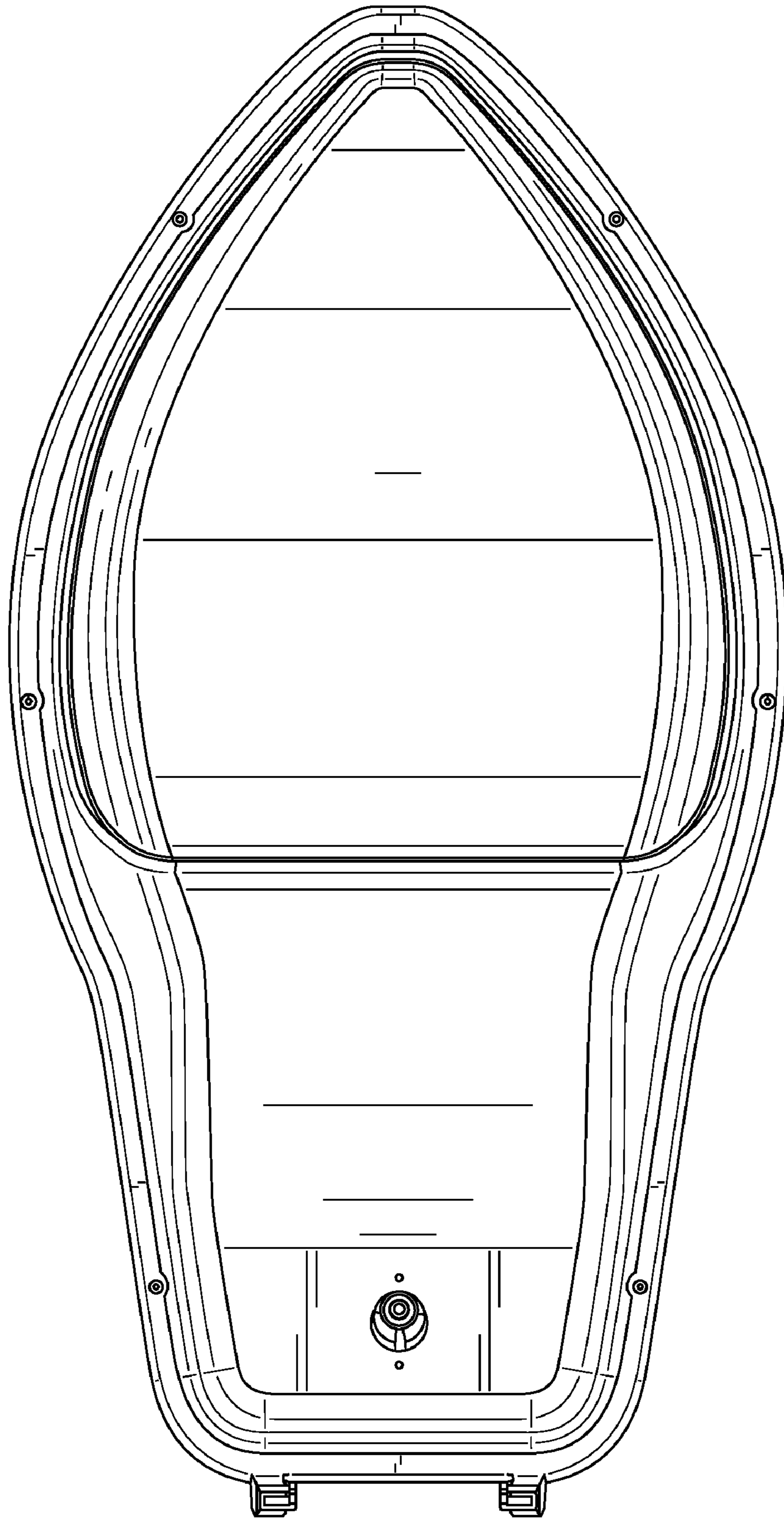


FIG. 9

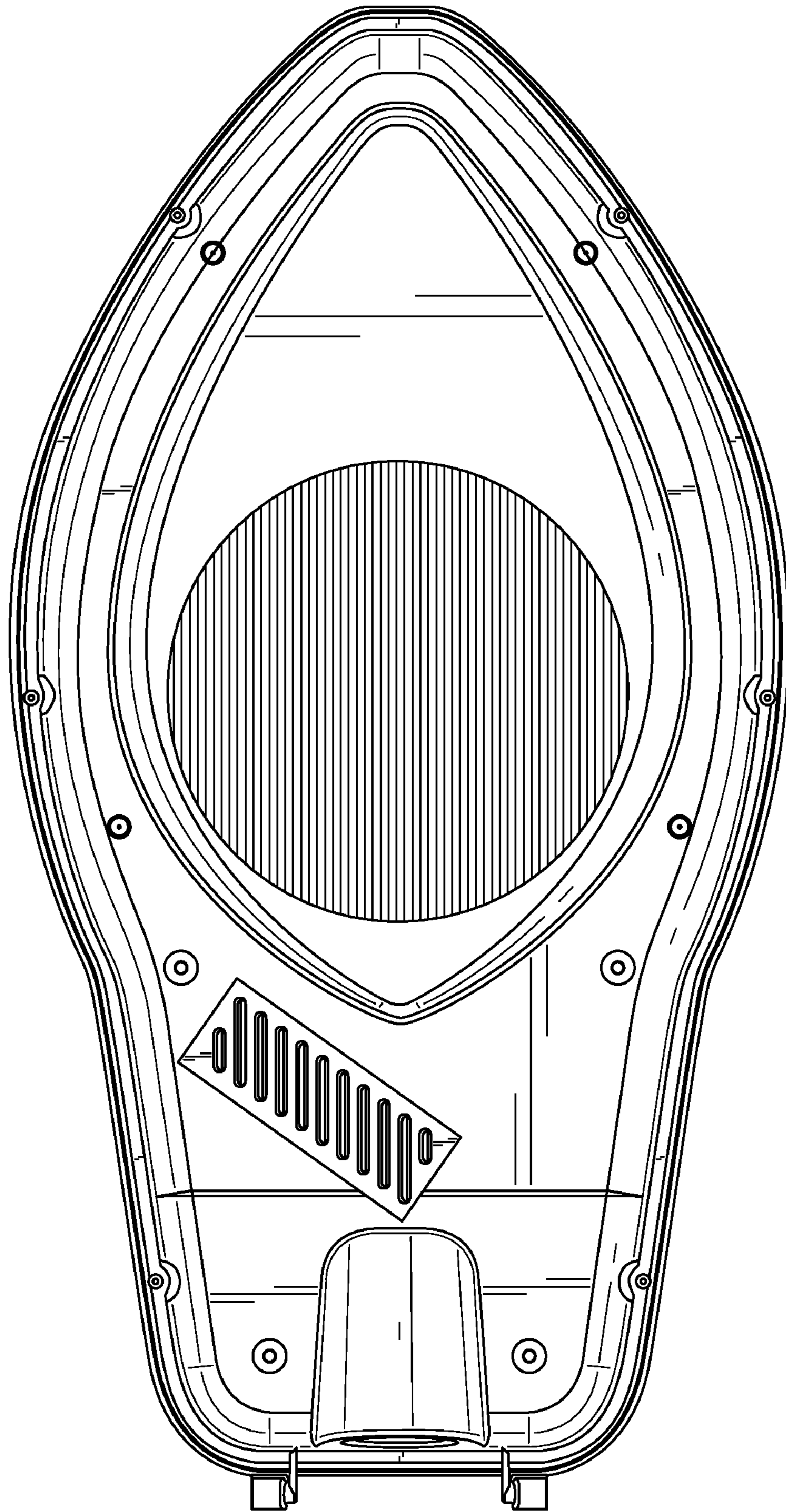


FIG. 10