



US00D636516S

(12) **United States Design Patent**
Ruud et al.

(10) **Patent No.:** **US D636,516 S**

(45) **Date of Patent:** **** Apr. 19, 2011**

(54) **LIGHTING FIXTURE WITH A FITTER PORTION**

(75) Inventors: **Alan J. Ruud**, Racine, WI (US); **Brian Kinnune**, Racine, WI (US); **Lisa Ruffalo Cooper**, Franksville, WI (US)

(73) Assignee: **Ruud Lighting, Inc.**, Racine, WI (US)

(**) Term: **14 Years**

(21) Appl. No.: **29/358,366**

(22) Filed: **Mar. 26, 2010**

(51) **LOC (9) Cl.** **26-05**

(52) **U.S. Cl.** **D26/63**

(58) **Field of Classification Search** D26/61,
D26/63-68, 71, 80, 85, 87, 92, 93, 106-109,
D26/102, 113, 118, 122, 134; 362/555, 581,
362/362, 147, 217.01, 220, 153, 153.1, 217.02,
362/207.03, 217.14-217.17, 269, 270, 277,
362/278, 282-285, 287, 290, 291, 218, 217.1,
362/217.04, 217.05, 279, 280, 323, 419,
362/294, 319, 322, 368, 373, 418, 427, 431,
362/413, 800

See application file for complete search history.

(56) **References Cited**

U.S. PATENT DOCUMENTS

D391,659	S *	3/1998	Gaskins et al.	D26/71
D566,872	S *	4/2008	Michel	D26/62
D571,943	S *	6/2008	Tragatschnig	D26/61
D586,943	S *	2/2009	Huang	D26/118
D603,077	S *	10/2009	Kinnune et al.	D26/71
7,637,638	B2 *	12/2009	Chen	362/294
D618,382	S *	6/2010	Huang	D26/118
D620,165	S *	7/2010	Huang	D26/63
7,758,207	B1 *	7/2010	Zhou et al.	362/218
D622,889	S *	8/2010	Zheng	D26/71

* cited by examiner

Primary Examiner — Philip S Hyder

Assistant Examiner — Linda G. Brooks

(74) *Attorney, Agent, or Firm* — Jansson, Shupe & Munger Ltd.

(57) **CLAIM**

The ornamental design for a lighting fixture with a fitter portion, as shown and described.

DESCRIPTION

FIG. 1 is a front perspective view from above the lighting fixture with a fitter portion, with the fitter portion substantially aligned with the main portion of the fixture, a pole being shown in broken lines;

FIG. 2 is a perspective view from below the lighting fixture with a fitter portion of FIG. 1, the details of the underside of the fixture being shown in broken lines;

FIG. 3 is a right-side elevation view of the lighting fixture with a fitter portion of FIG. 1, the left-side elevation view being a mirror image thereof;

FIG. 4 is a bottom plan view of the lighting fixture with a fitter portion of FIG. 1, the details of the underside of the fixture being shown in broken lines;

FIG. 5 is a top plan view of the lighting fixture with a fitter portion of FIG. 1;

FIG. 6 is a front elevation view of the lighting fixture with a fitter portion of FIG. 1;

FIG. 7 is a rear elevation view of the lighting fixture with a fitter portion of FIG. 1;

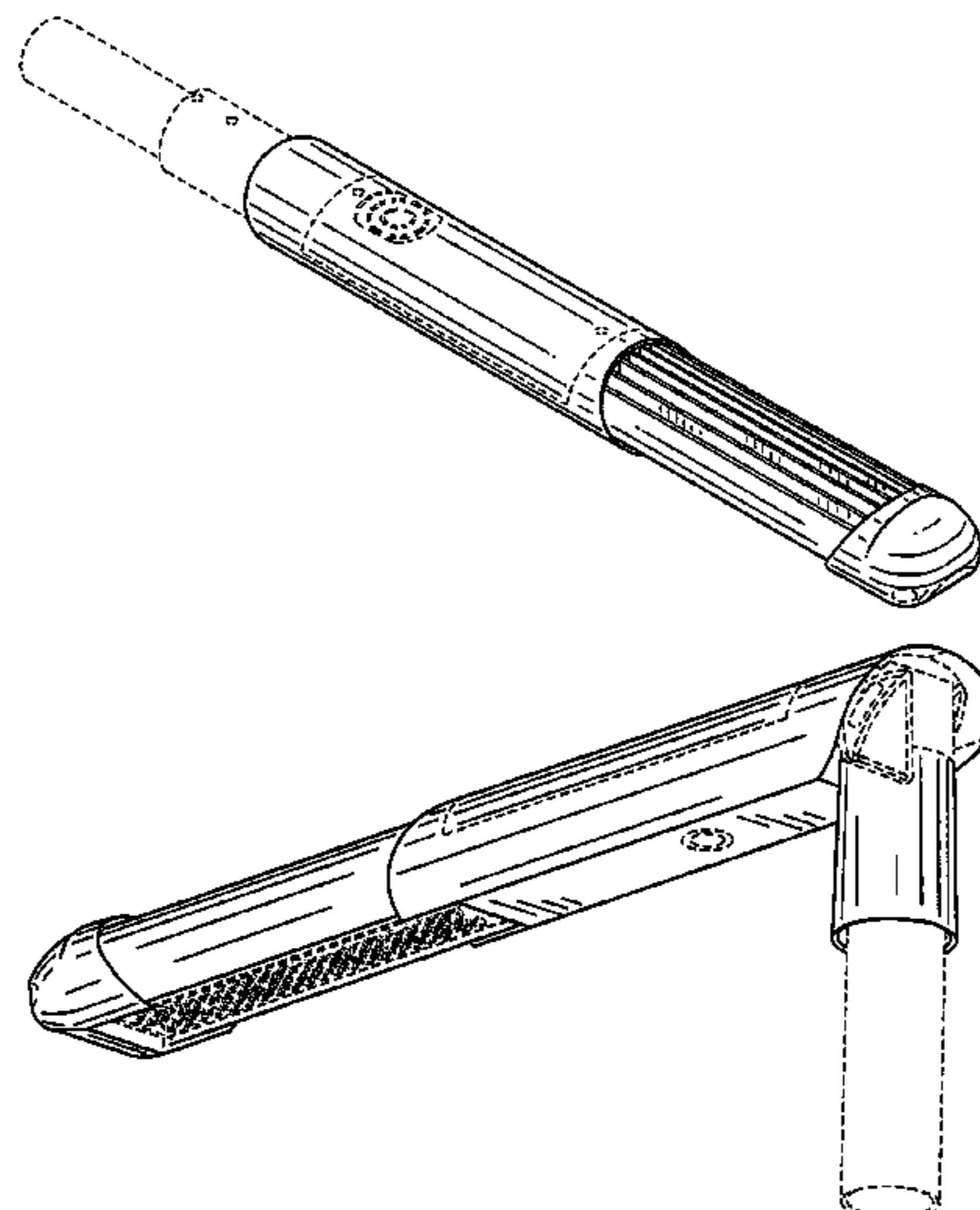
FIG. 8 is a rear perspective view from above the lighting fixture with a fitter portion of FIG. 1, but showing the fitter portion in a position at 90° with respect to the main portion of the fixture, the pole being shown in broken lines;

FIG. 9 is a rear perspective view from below the lighting fixture with a fitter portion of FIG. 8, the details of the underside of the fixture being shown in broken lines; and,

FIG. 10 is a right-side elevation view of the lighting fixture with a fitter portion of FIG. 8, the left-side elevation view being a mirror image thereof.

The broken lines illustrate unclaimed portions of the lighting fixture with a fitter portion and environmental structure that form no part of the claimed design.

1 Claim, 7 Drawing Sheets



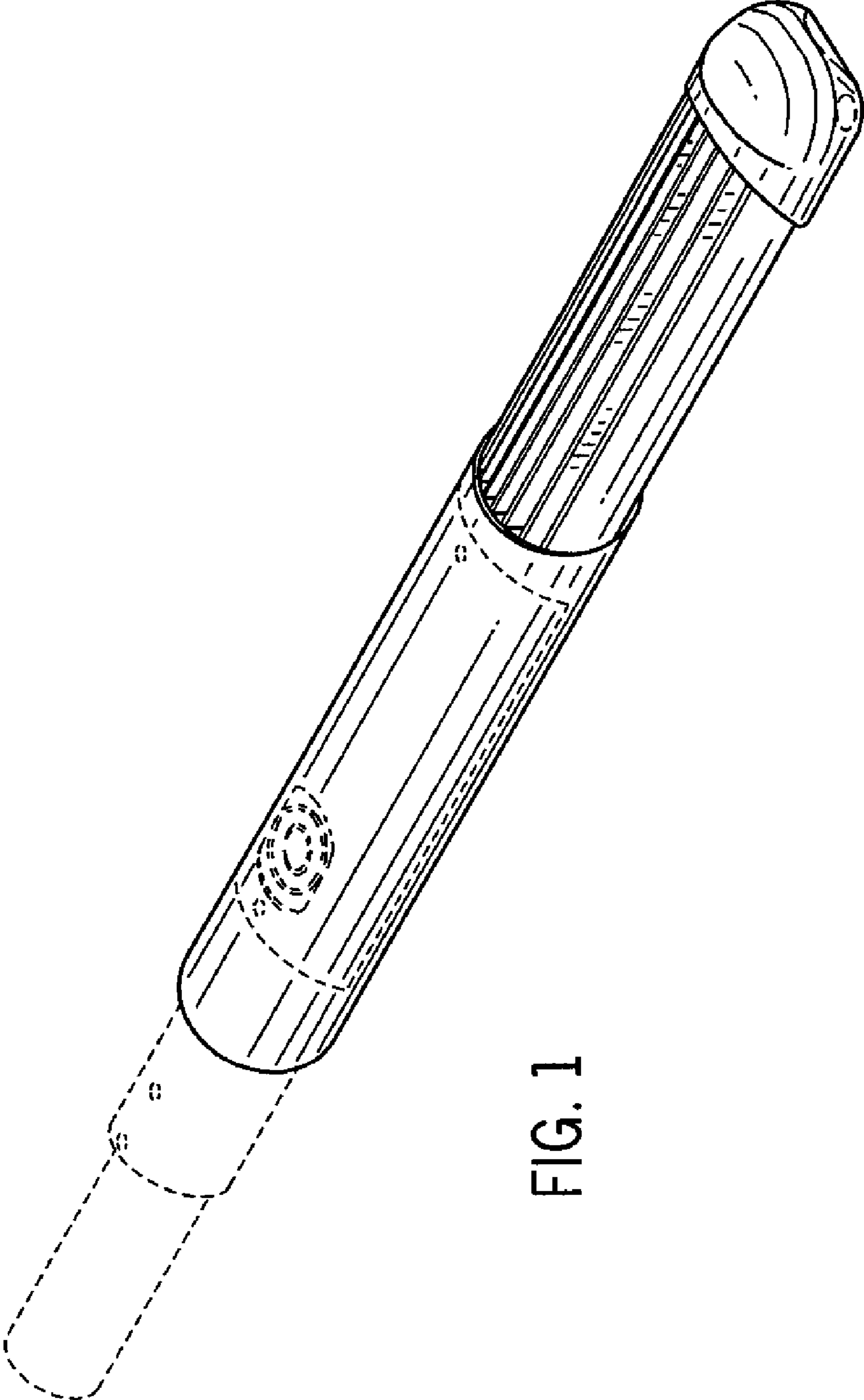


FIG. 1

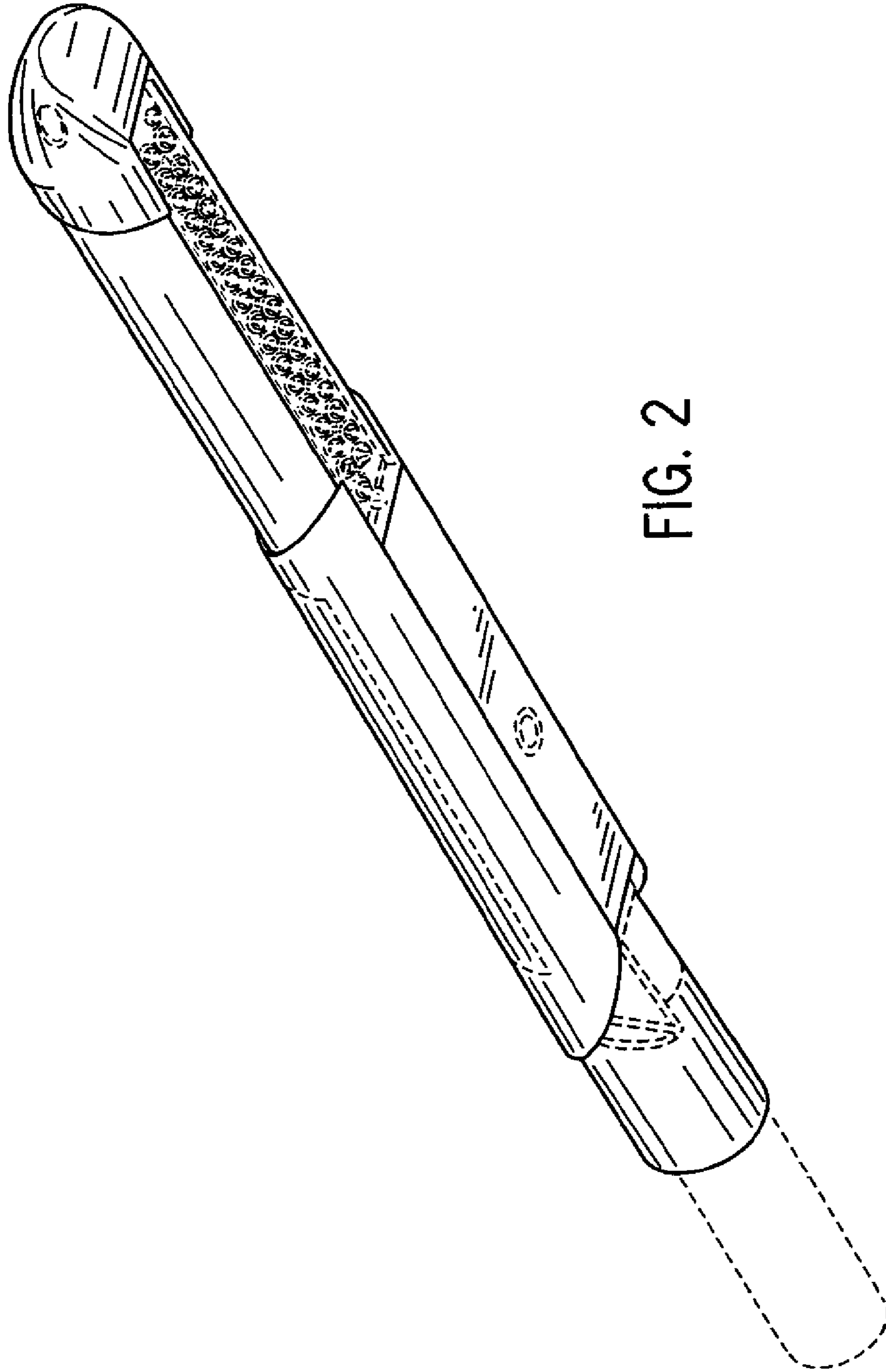


FIG. 2

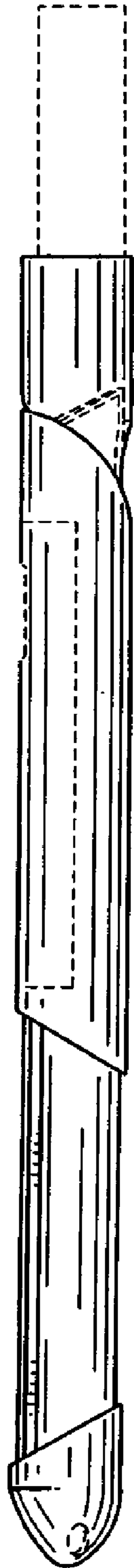


FIG. 3

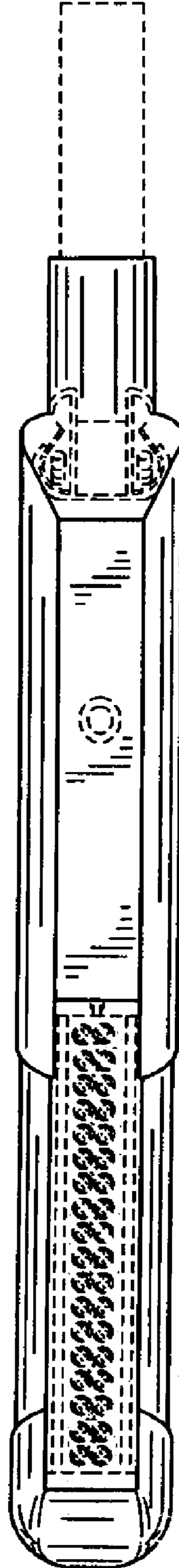


FIG. 4

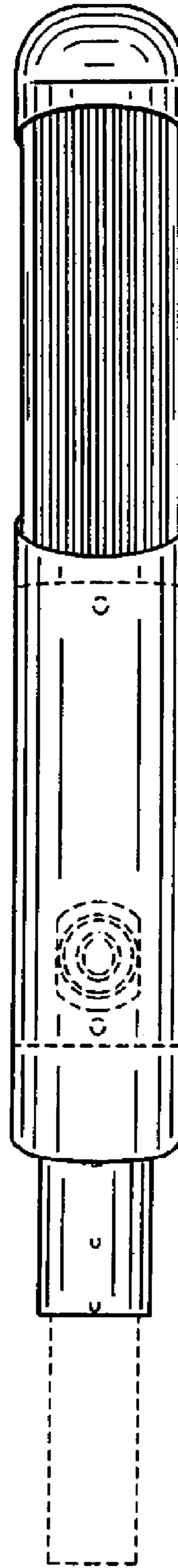


FIG. 5

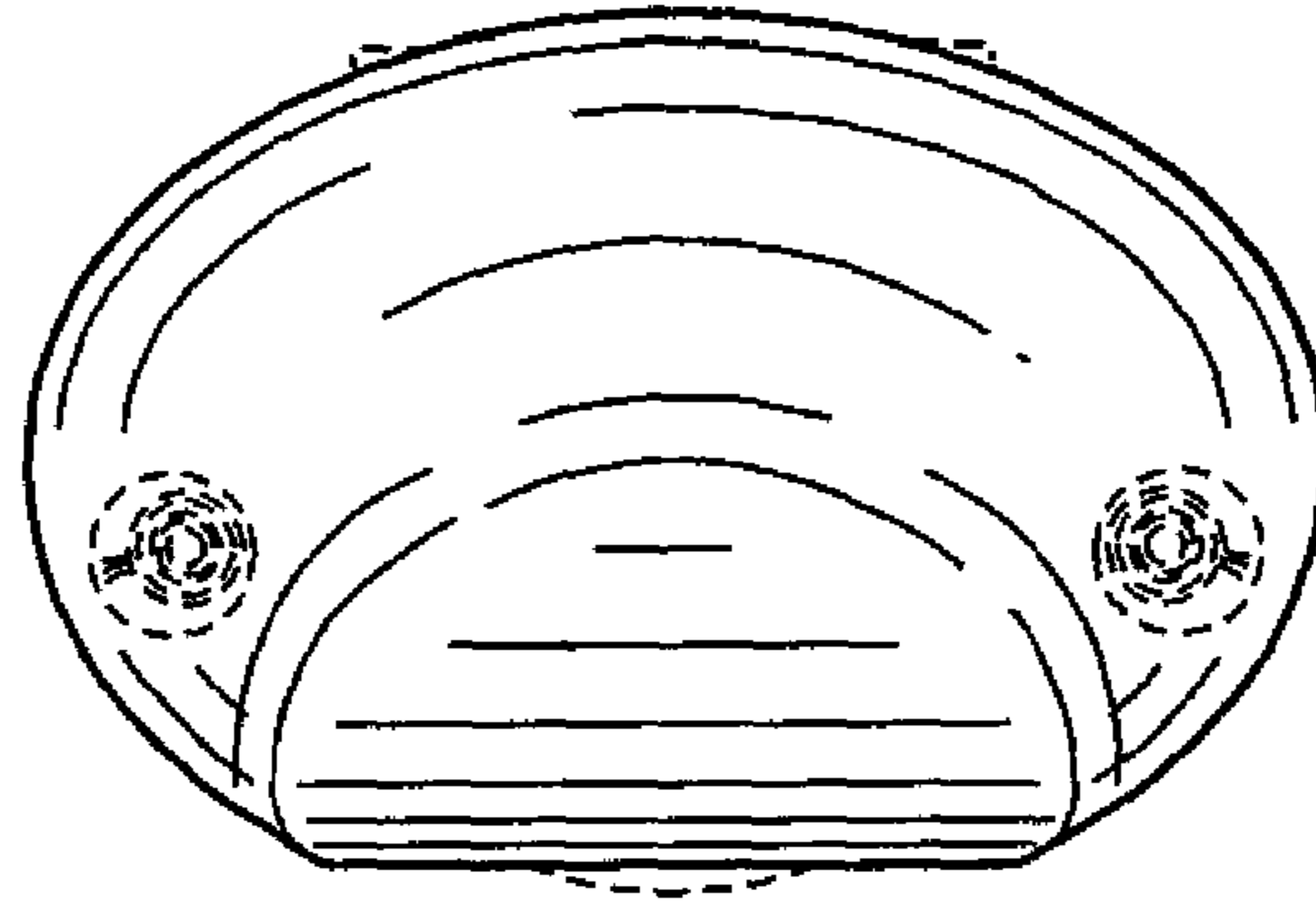


FIG. 6

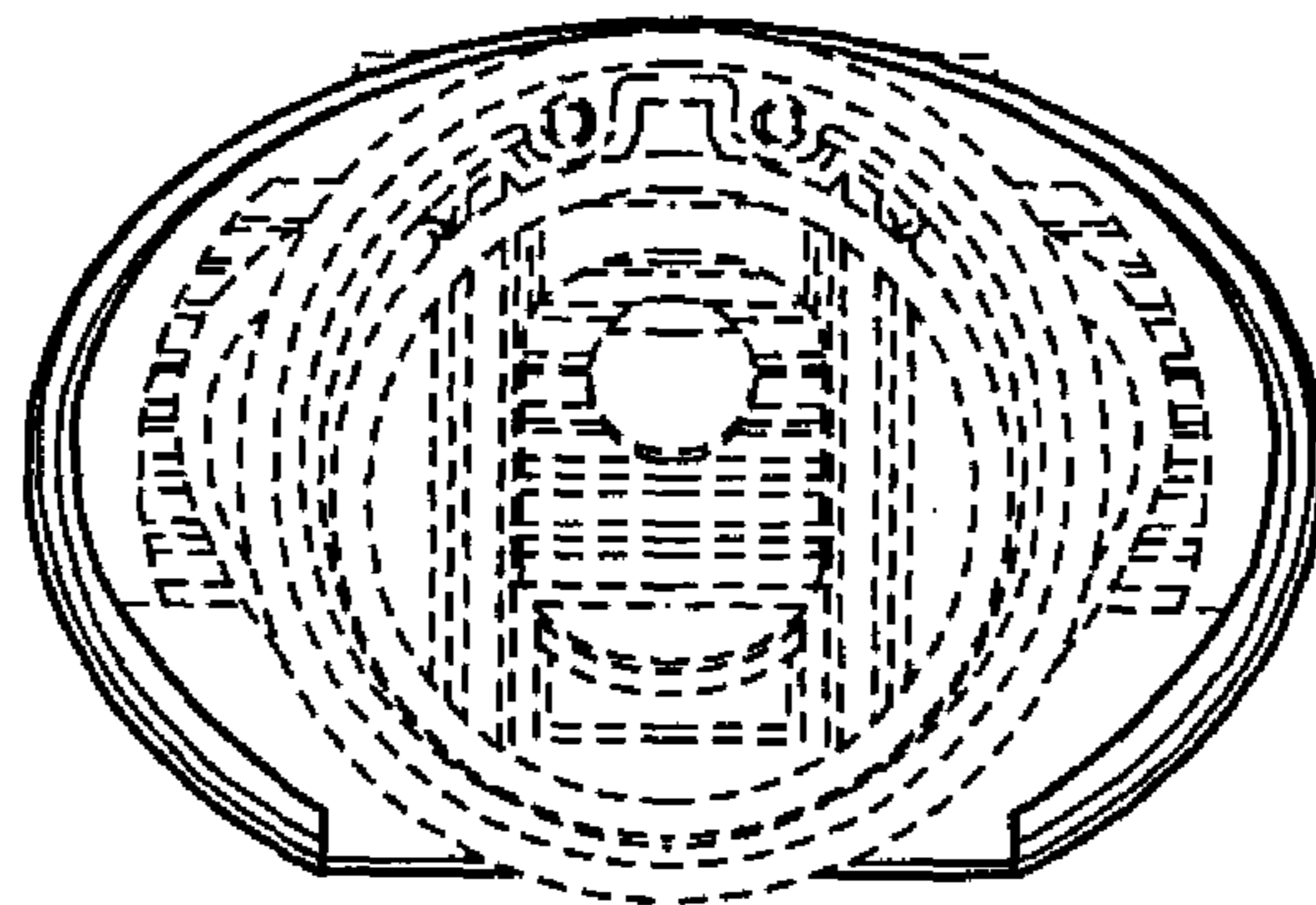


FIG. 7

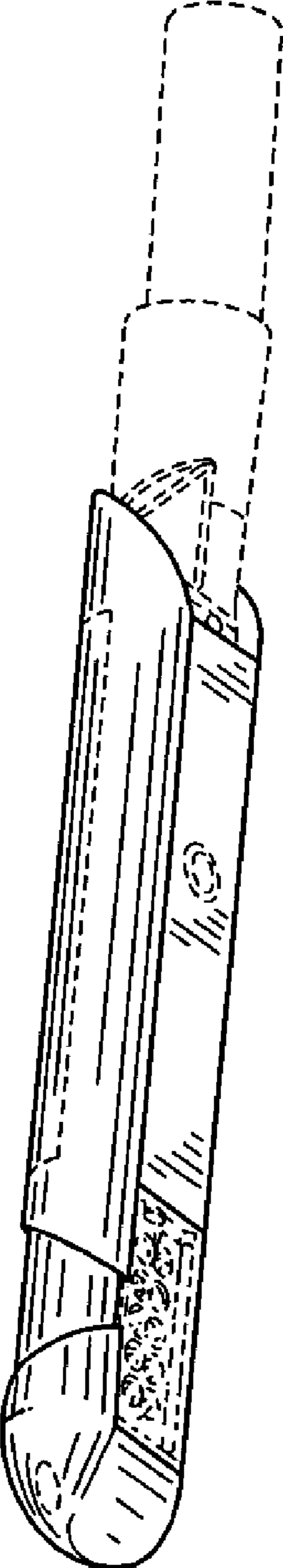


FIG. 8

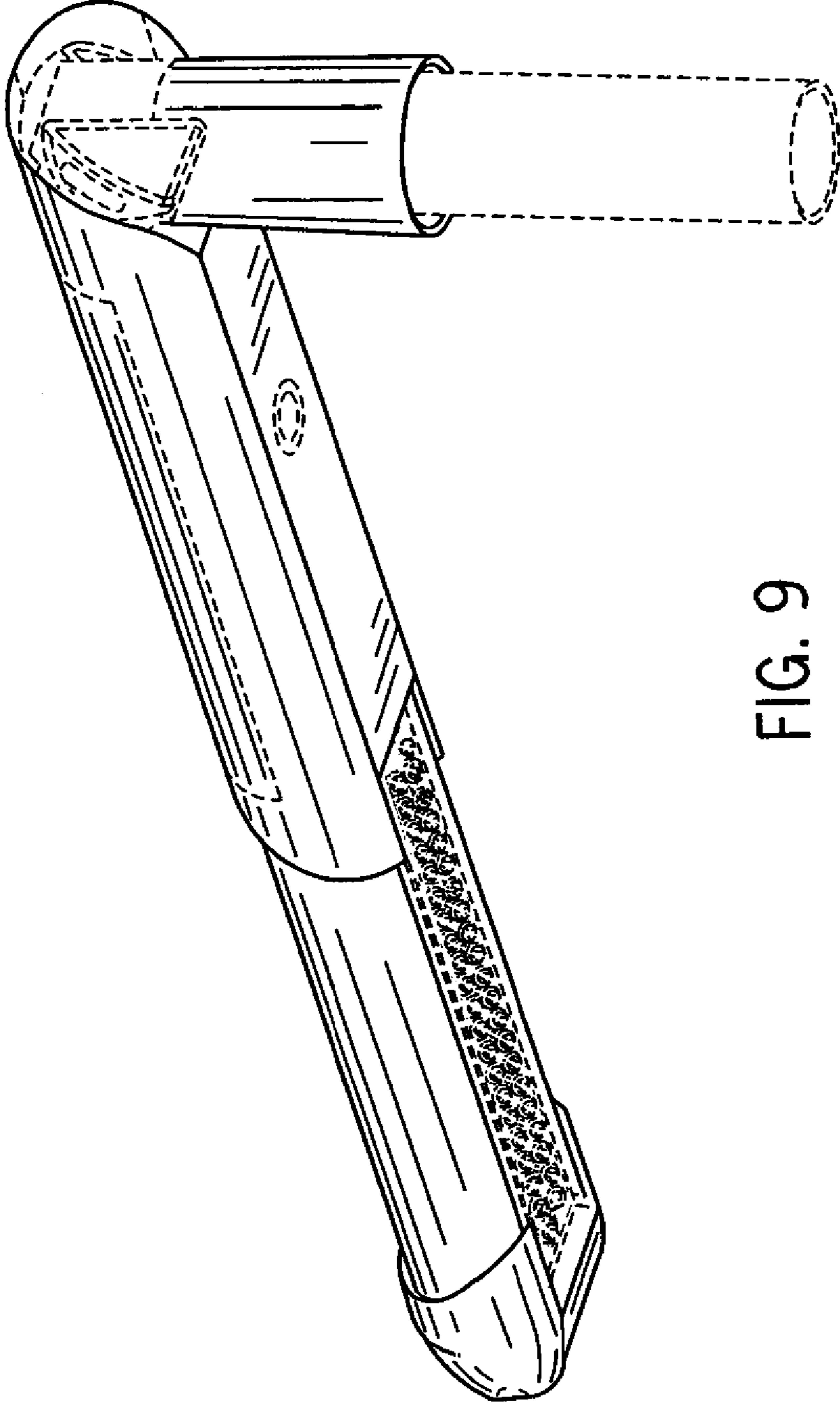


FIG. 9

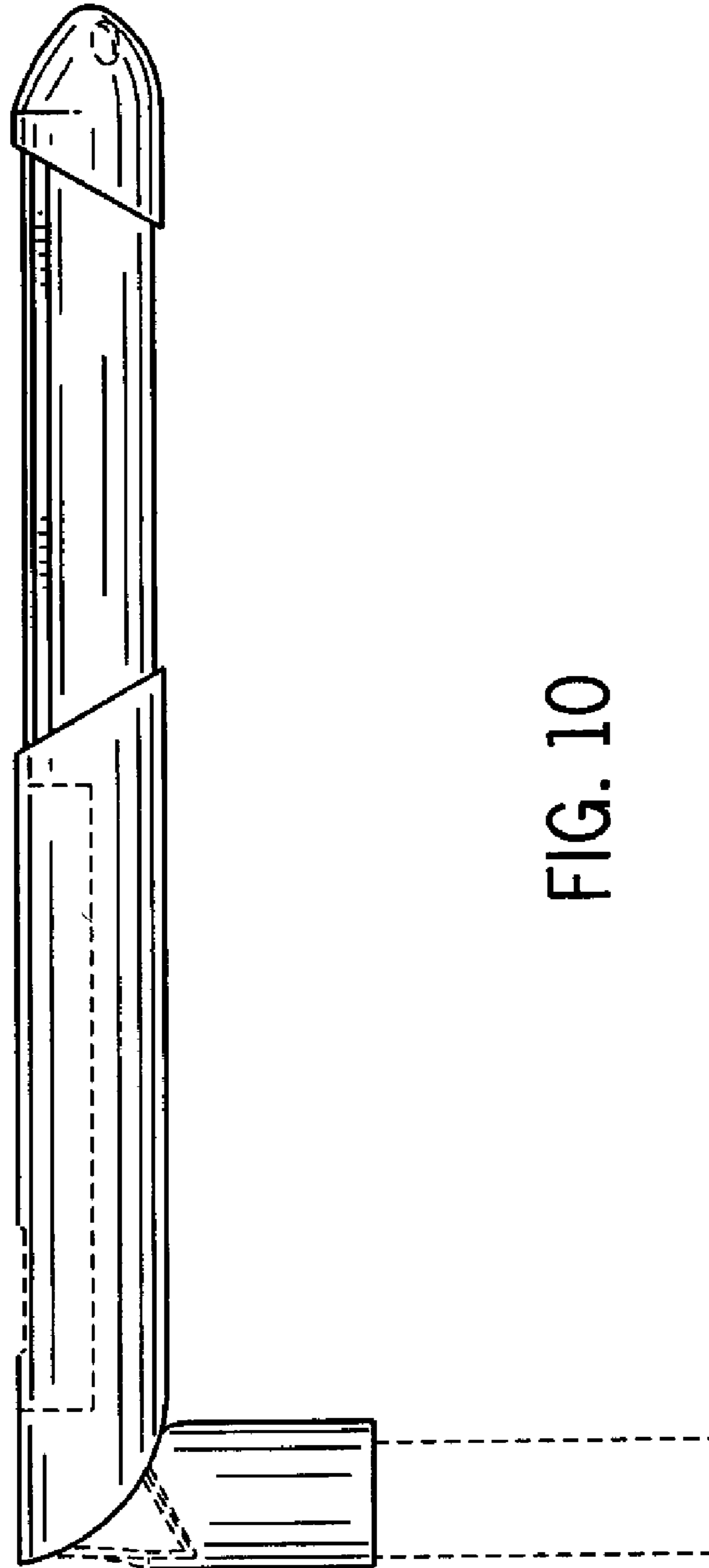


FIG. 10