



US00D636513S

(12) **United States Design Patent**
Fürtsch

(10) **Patent No.:** **US D636,513 S**
(45) **Date of Patent:** **** Apr. 19, 2011**

(54) **MAGNIFYING LAMP**

D526,340 S * 8/2006 Hodgson D16/135
D568,516 S * 5/2008 Hillard D26/60
D602,967 S * 10/2009 Hui D16/135

(75) Inventor: **Michael Fürtsch**, Pforzheim (DE)

(73) Assignee: **Herbert Waldmann GmbH & Co. KG**,
Villingen-Schwenningen (DE)

(**) Term: **14 Years**

(21) Appl. No.: **29/311,629**

(22) Filed: **May 6, 2009**

(30) **Foreign Application Priority Data**

Nov. 7, 2008 (DE) 40 2008 005 337

(51) **LOC (9) Cl.** **26-05**

(52) **U.S. Cl.** **D26/51; D16/135; D26/61; D26/38**

(58) **Field of Classification Search** D26/51,
D26/56, 61, 65, 63; D16/135; 362/275,
362/287, 401, 402, 410, 413, 414, 419, 427,
362/251

See application file for complete search history.

(56) **References Cited**

U.S. PATENT DOCUMENTS

D196,269 S * 9/1963 Mehr D16/135
D196,270 S * 9/1963 Mehr D16/135
D324,060 S * 2/1992 Huang D16/135
5,613,771 A * 3/1997 Siverling 362/401
D457,671 S * 5/2002 Jacquelin D26/51
D482,813 S * 11/2003 Waldmann D26/61
D490,553 S * 5/2004 Waldmann D26/61
D505,219 S * 5/2005 Jacquelin D26/51

FOREIGN PATENT DOCUMENTS

JP D1276845 7/2006
TW 053895 10/1983
TW 098776 4/1988
TW 116590 7/1989
TW D125432 10/2008
TW D125804 11/2008

* cited by examiner

Primary Examiner — Charles A Rademaker

Assistant Examiner — Carissa C Fitts

(74) *Attorney, Agent, or Firm* — The Nath Law Group;
Jerald L. Meyer

(57) **CLAIM**

The ornamental design for a magnifying lamp, as shown and described.

DESCRIPTION

FIG. 1 is a top perspective view of a magnifying Lamp showing my new design;

FIG. 2 is a left side elevation thereof;

FIG. 3 is a right side elevation thereof;

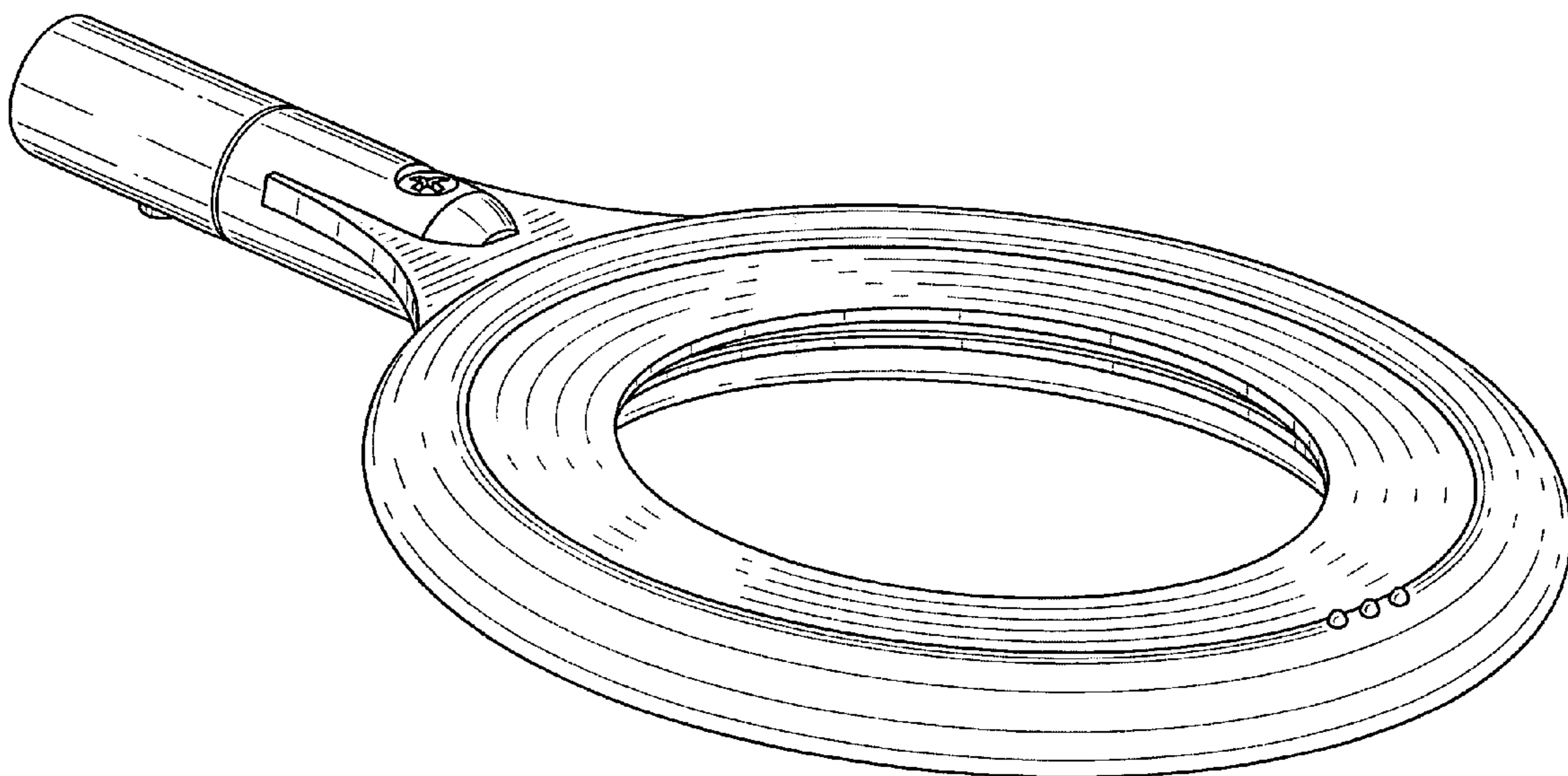
FIG. 4 is a front elevation thereof;

FIG. 5 is a rear elevation thereof;

FIG. 6 is a top plan view thereof; and,

FIG. 7 is a bottom plan view thereof.

1 Claim, 7 Drawing Sheets



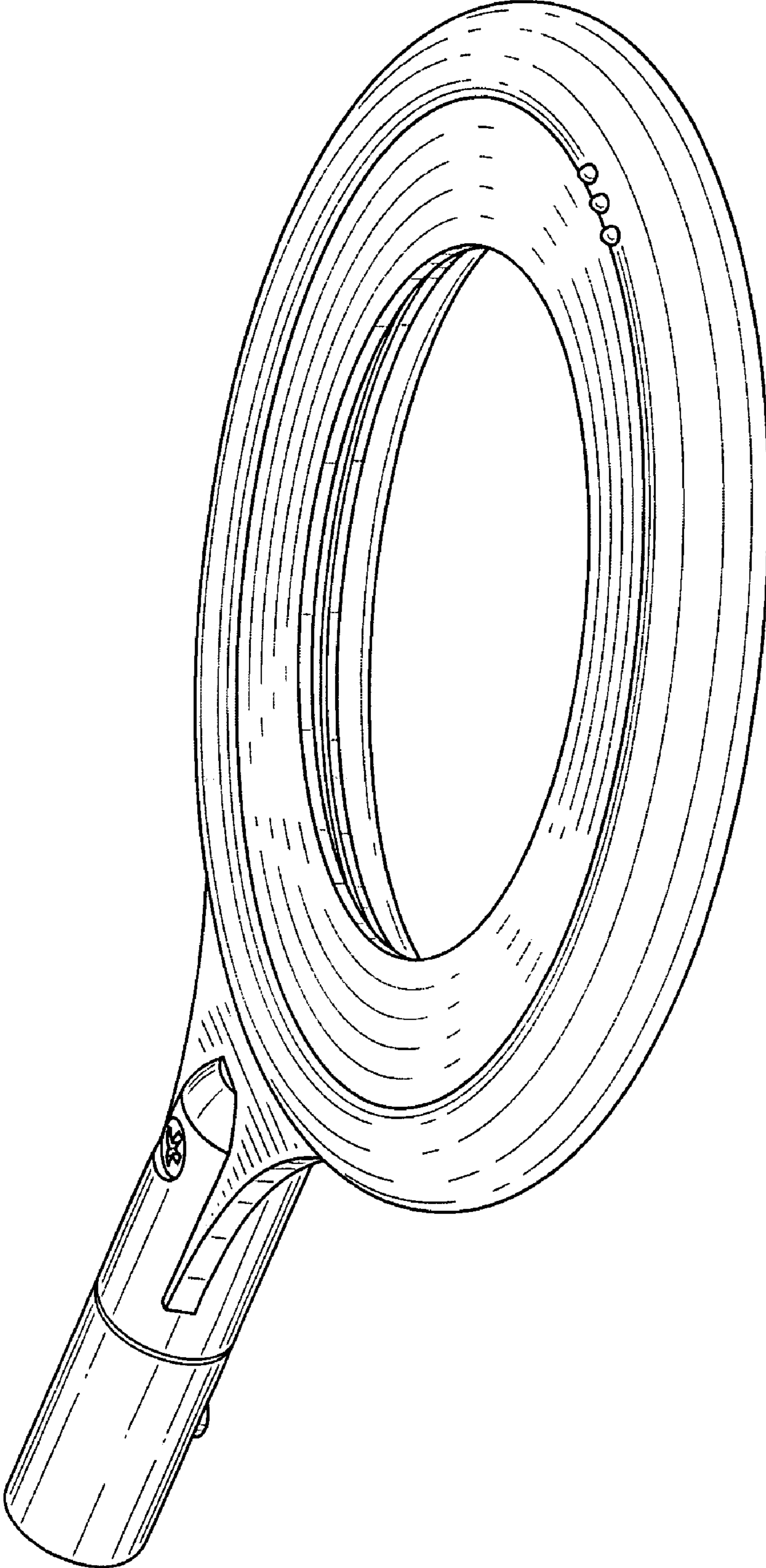


FIG. 1

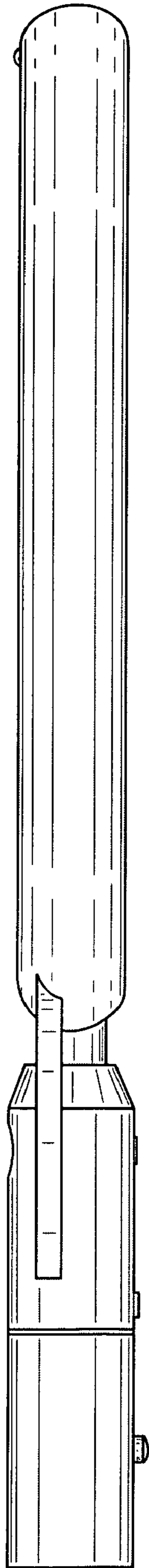


FIG. 2

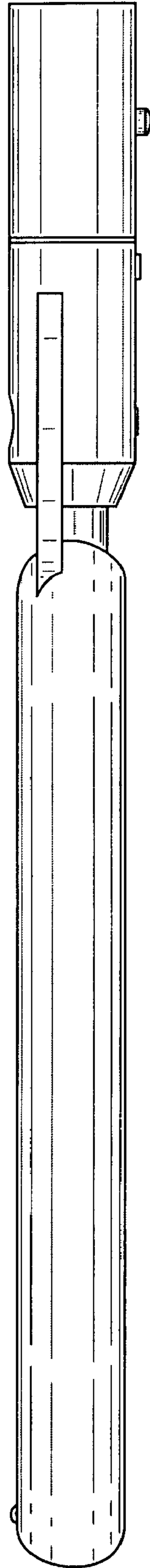


FIG. 3

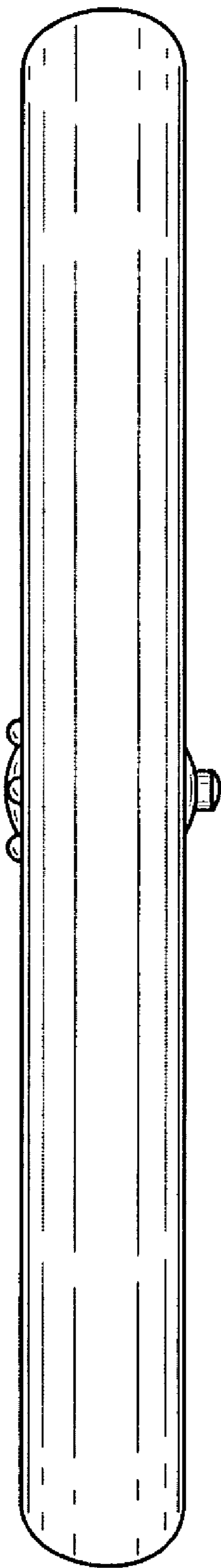


FIG. 4

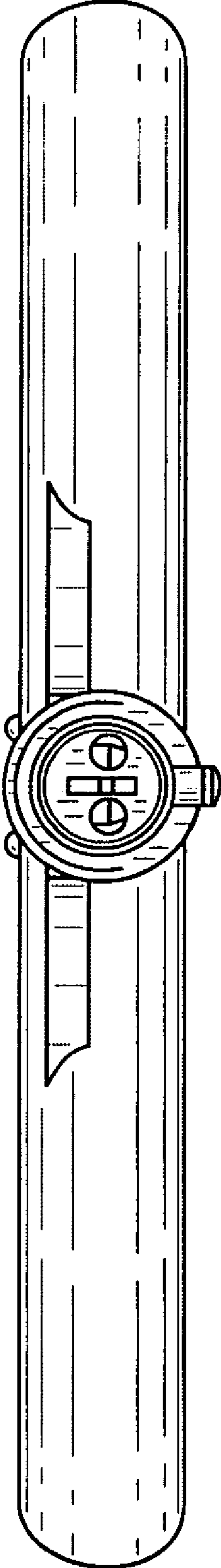


FIG. 5

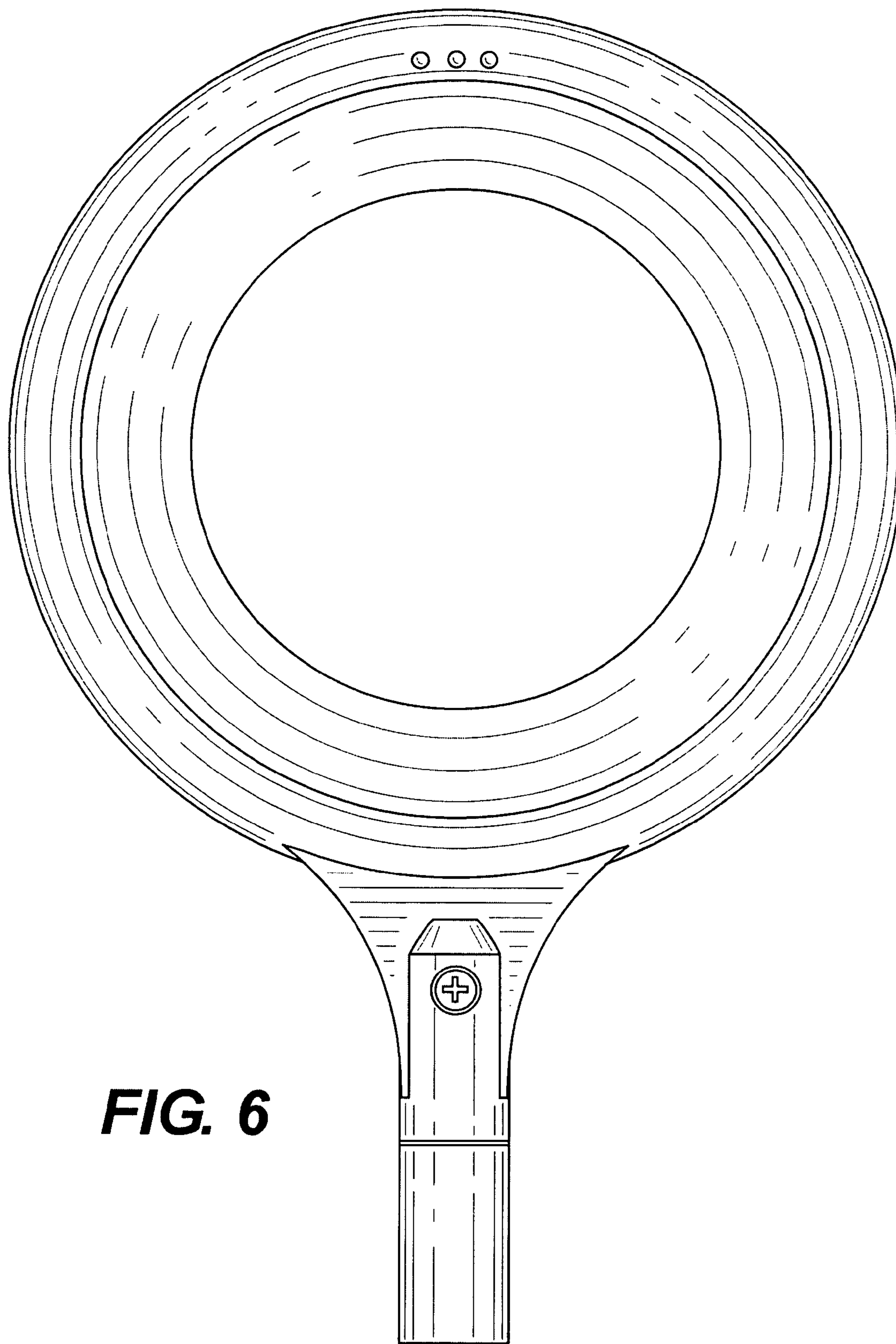


FIG. 6

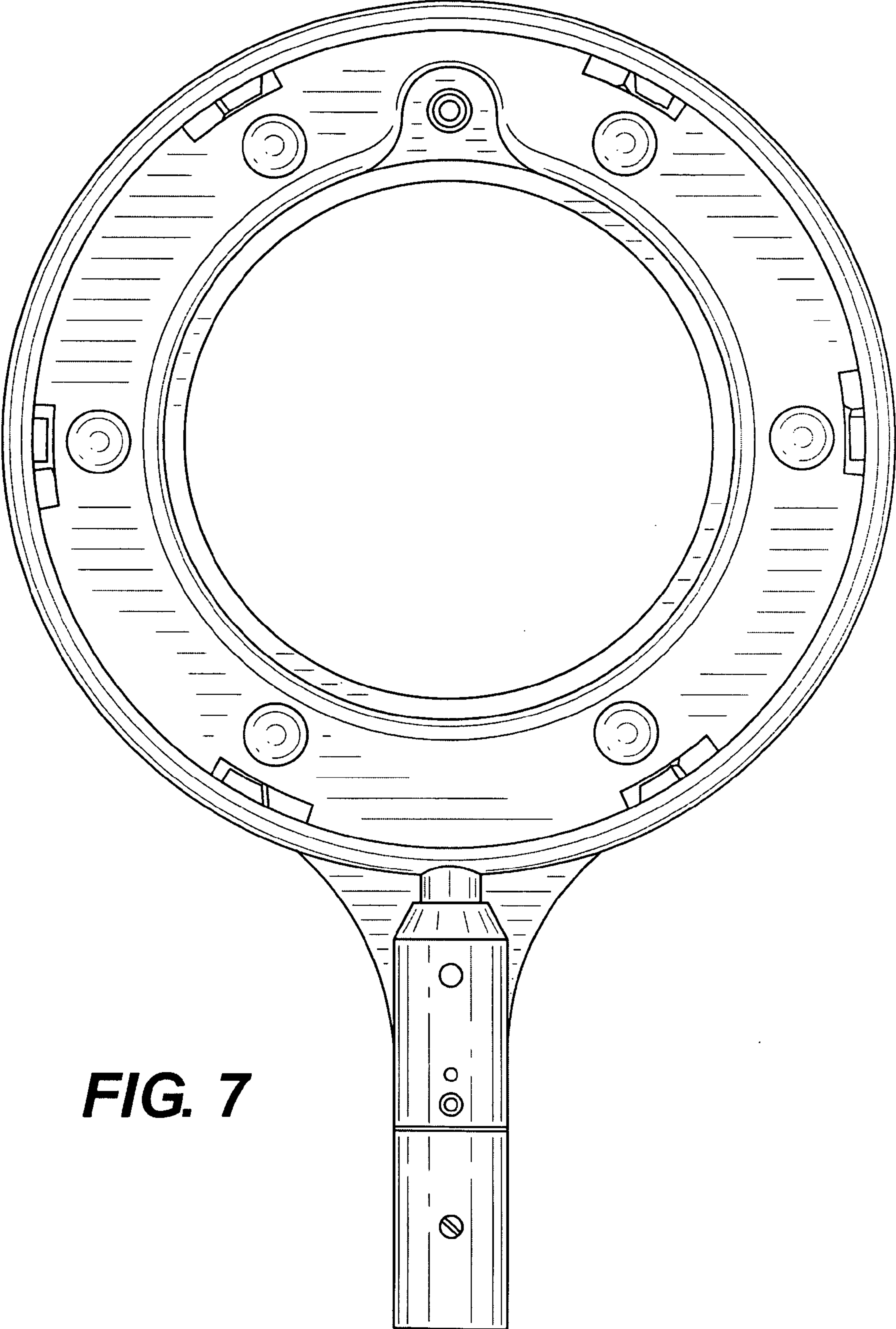


FIG. 7