



US00D636512S

(12) **United States Design Patent**  
**Heath et al.**

(10) **Patent No.:** **US D636,512 S**  
(45) **Date of Patent:** **\*\* Apr. 19, 2011**

(54) **FLASHLIGHT**

(75) Inventors: **Richard Anthony Heath**, Cheshire  
(GB); **Brett Michael Boydell**, Cheshire  
(GB)

(73) Assignee: **Bentley Motors Limited** (GB)

(\*\*) Term: **14 Years**

(21) Appl. No.: **29/366,625**

(22) Filed: **Jul. 28, 2010**

(30) **Foreign Application Priority Data**

Feb. 4, 2010 (EP) ..... 1665530

(51) **LOC (9) Cl.** ..... **26-02**

(52) **U.S. Cl.** ..... **D26/49**

(58) **Field of Classification Search** ..... D26/37,  
D26/46, 49, 38; 362/157, 158, 183, 184,  
362/194-196, 202-208

See application file for complete search history.

(56) **References Cited**

U.S. PATENT DOCUMENTS

D298,778	S	*	11/1988	Honjo	.....	D27/141
D544,622	S	*	6/2007	Cheng	.....	D26/46
D590,084	S	*	4/2009	Witte	.....	D26/46
D599,492	S	*	9/2009	Wang et al.	.....	D26/49
2006/0274541	A1	*	12/2006	Sheen	.....	362/488

\* cited by examiner

*Primary Examiner* — Ian Simmons

*Assistant Examiner* — Carissa C Fitts

(74) *Attorney, Agent, or Firm* — Salter & Michaelson

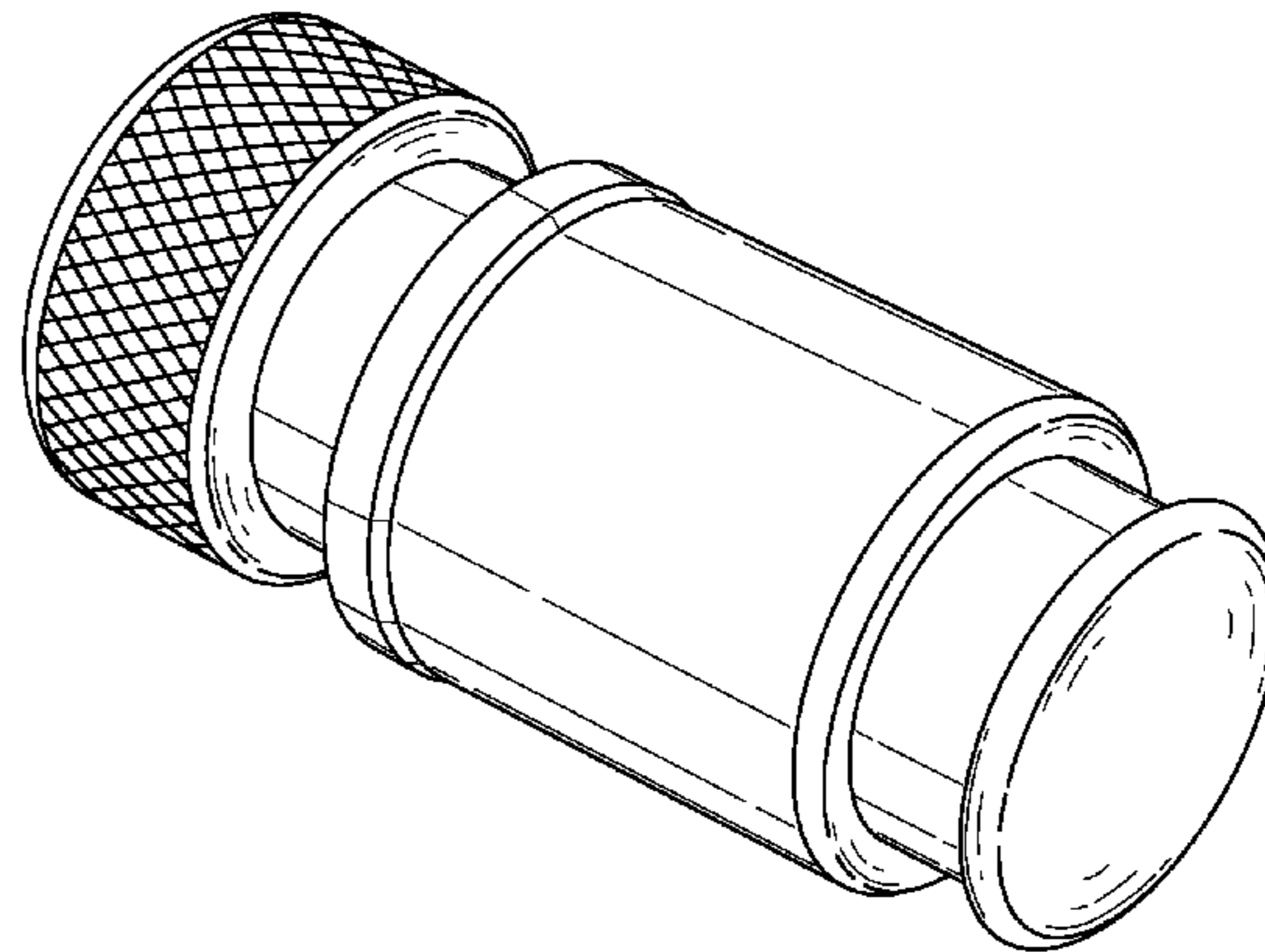
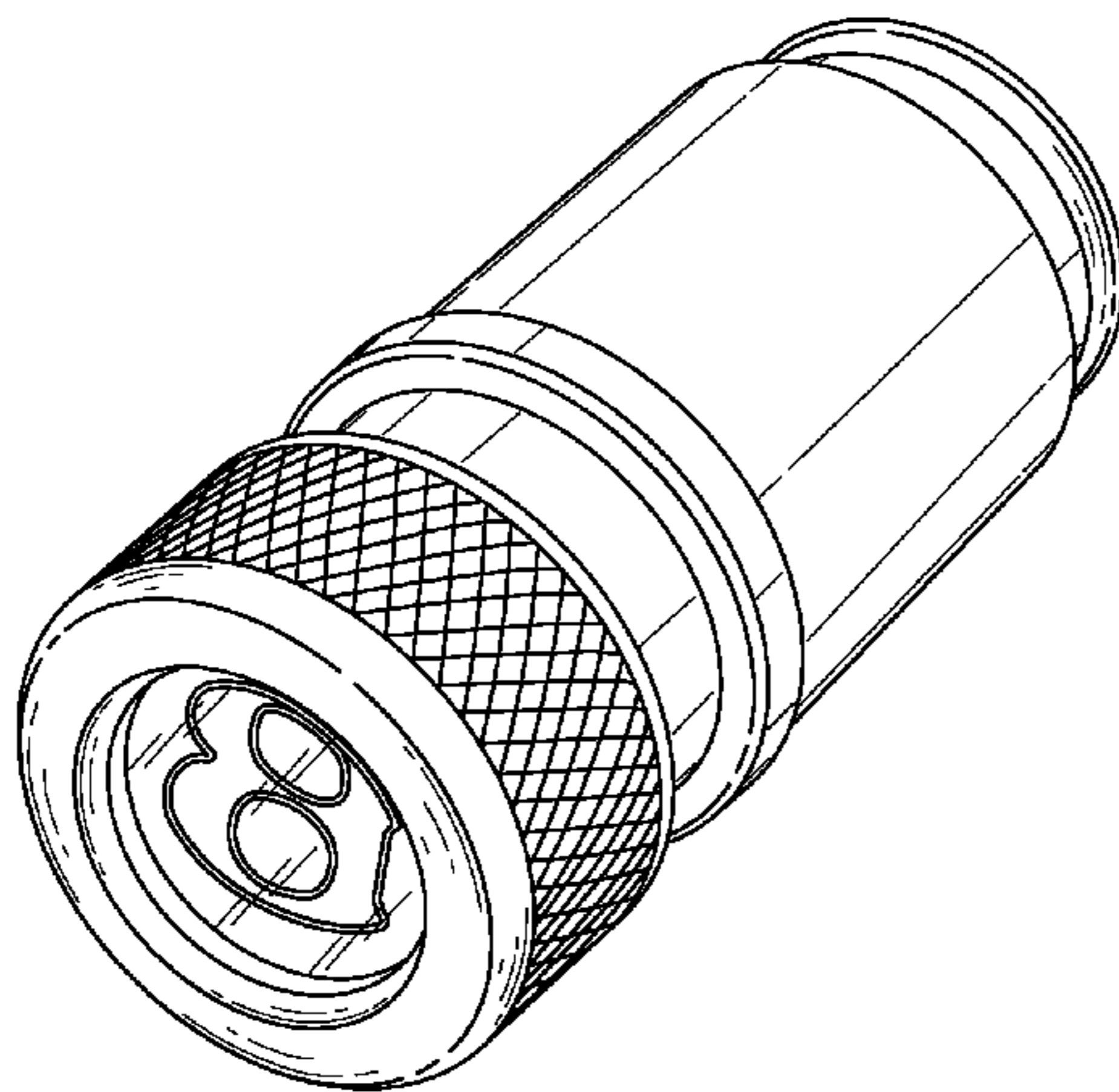
(57) **CLAIM**

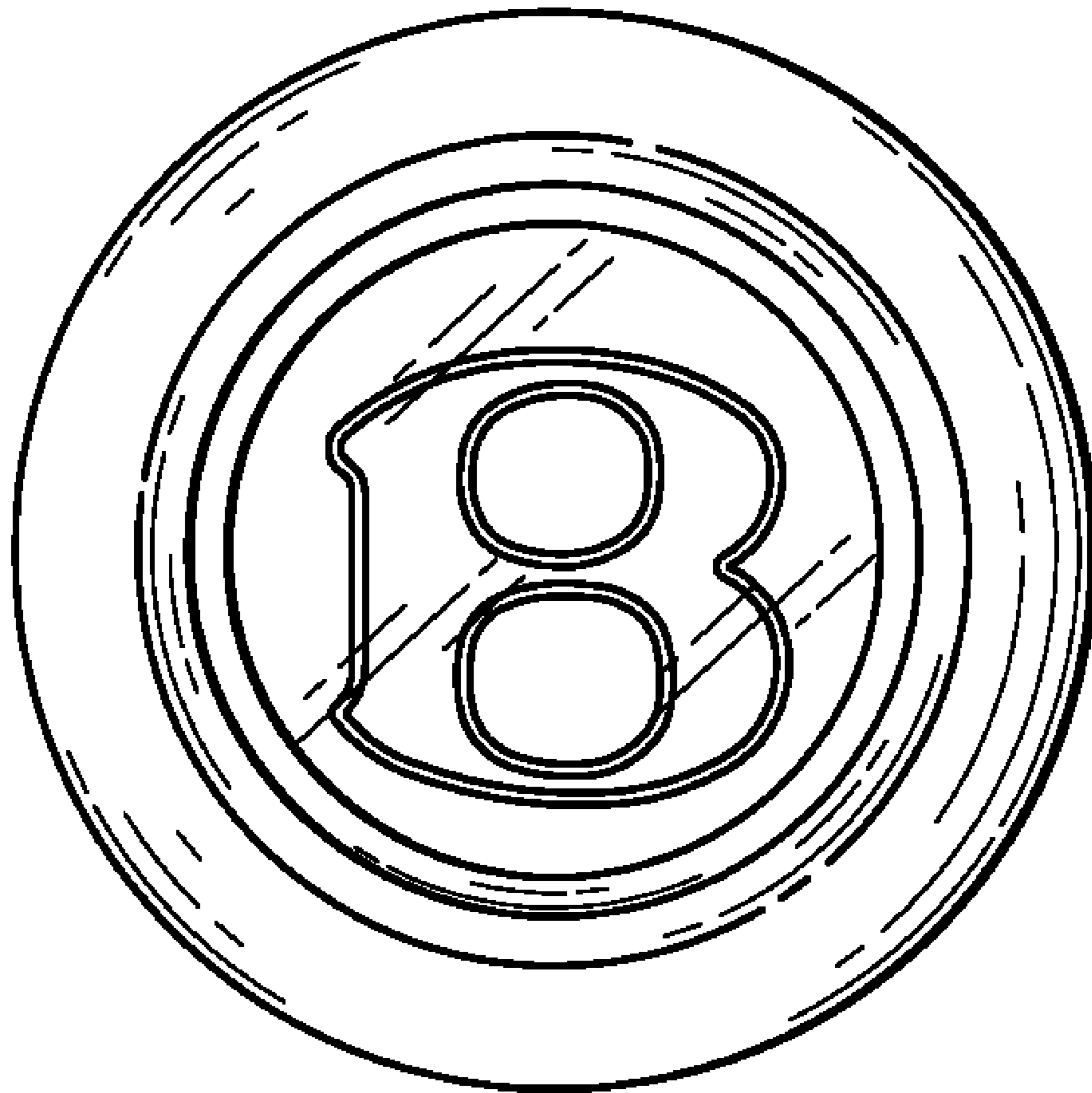
The ornamental design for a flashlight, as shown.

**DESCRIPTION**

FIG. 1 is a top plan view of our new design;  
FIG. 2 is a top perspective view thereof;  
FIG. 3 is a right side elevational view thereof;  
FIG. 4 is a bottom perspective view thereof; and,  
FIG. 5 is a bottom plan view.

**1 Claim, 5 Drawing Sheets**





**FIG. 1**

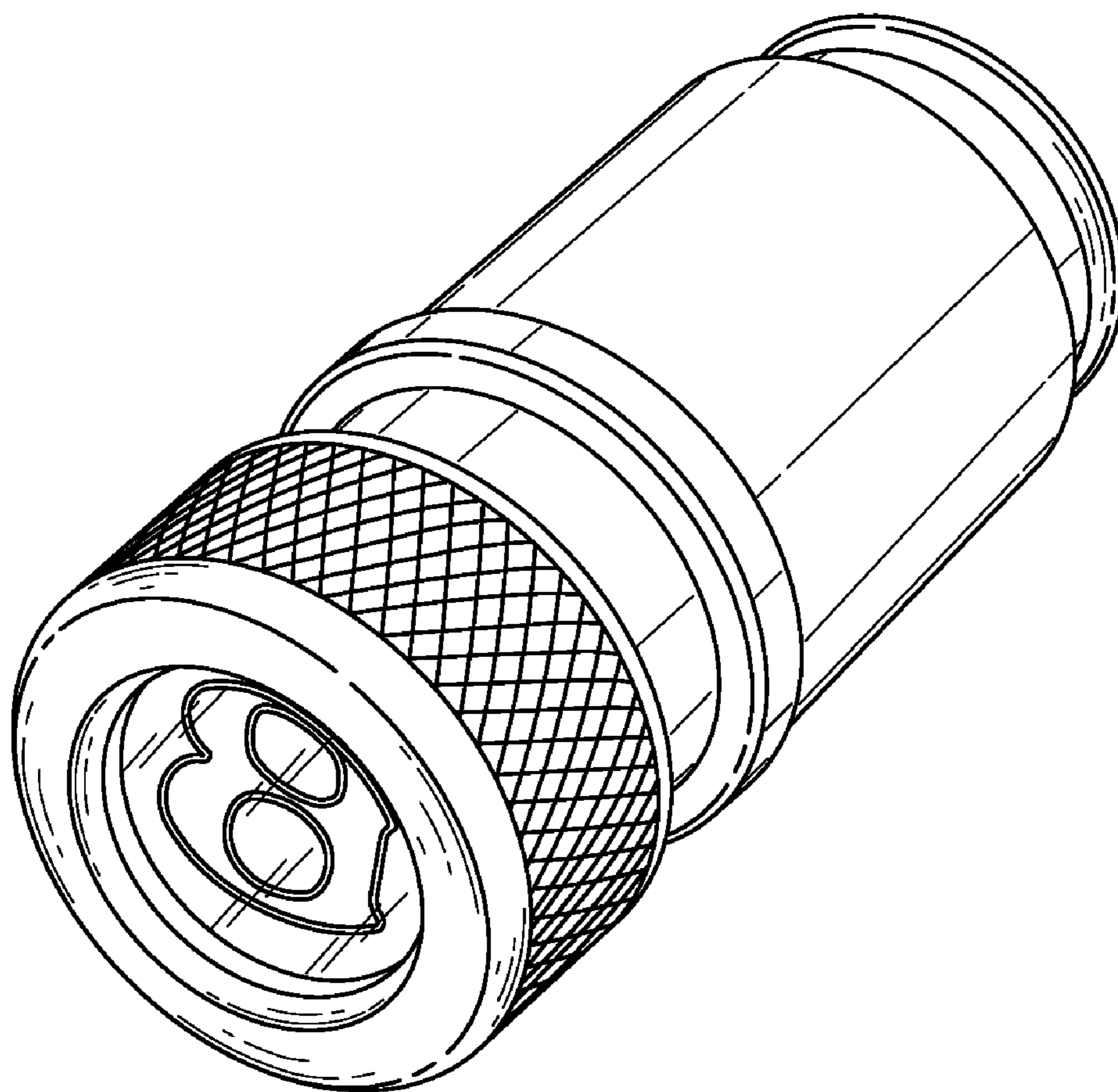


FIG. 2

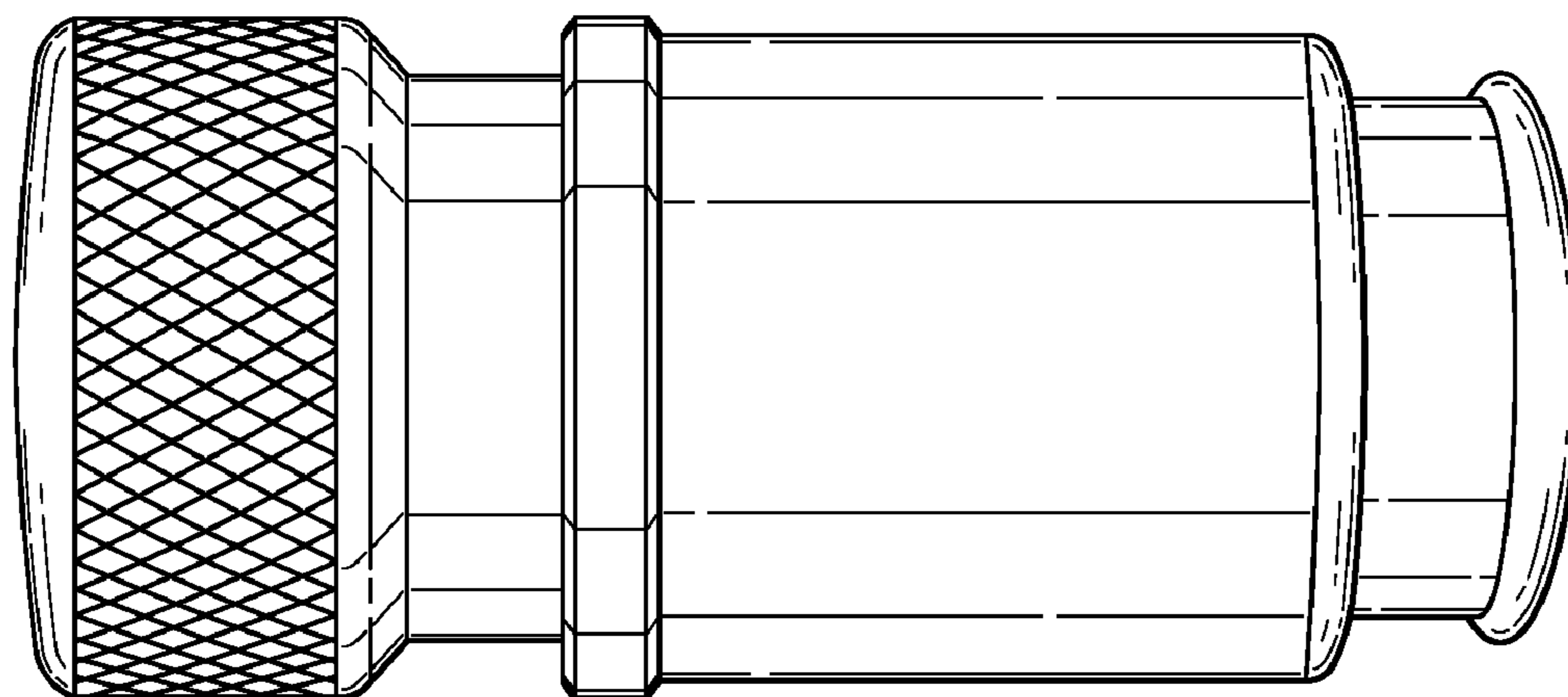


FIG. 3

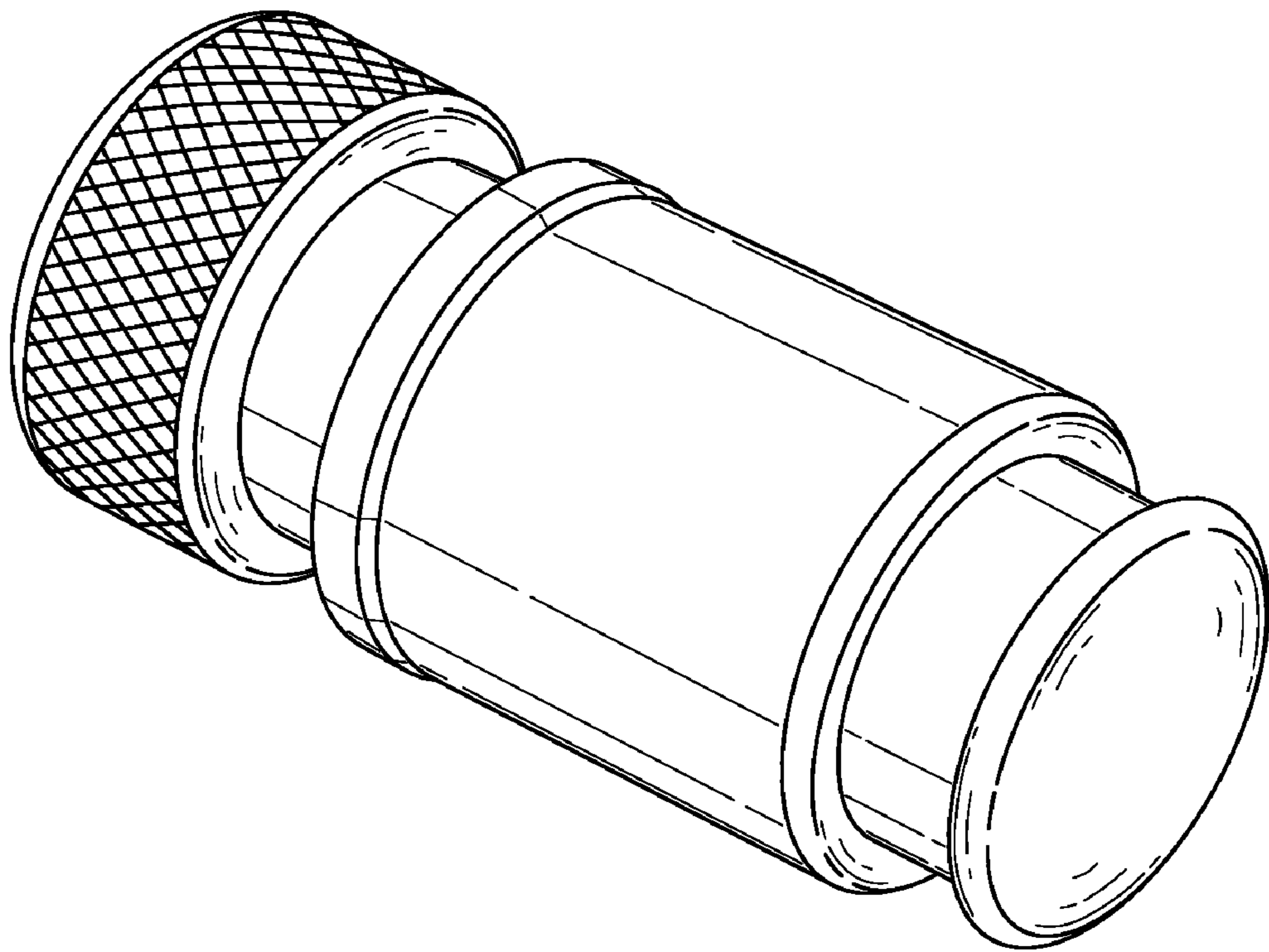
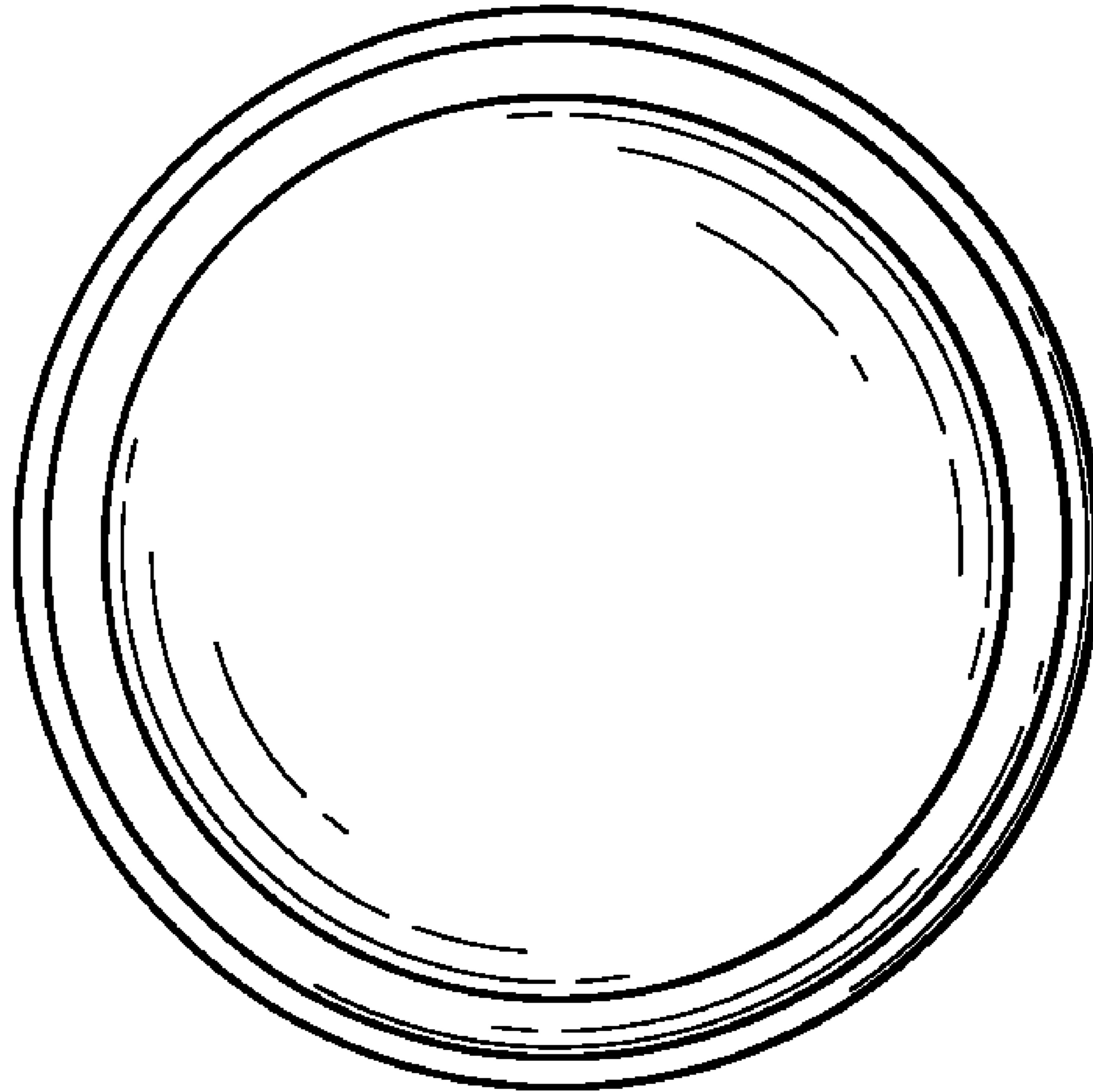


FIG. 4



**FIG. 5**