



US00D636511S

(12) **United States Design Patent**
Cen

(10) **Patent No.:** **US D636,511 S**

(45) **Date of Patent:** **** Apr. 19, 2011**

(54) **FLASHLIGHT**

(75) **Inventor:** **Liang Cen**, Shenzhen (CN)

(73) **Assignee:** **Shenzhen Langheng Electrical Co., Ltd**, Shenzhen (CN)

(**) **Term:** **14 Years**

(21) **Appl. No.:** **29/355,831**

(22) **Filed:** **Feb. 15, 2010**

(51) **LOC (9) Cl.** **26-02**

(52) **U.S. Cl.** **D26/49**

(58) **Field of Classification Search** D26/37,
D26/38, 39, 44, 45, 46, 49, 51; 362/157,
362/158, 183, 184, 187, 190, 194–198, 202–208
See application file for complete search history.

(56) **References Cited**

U.S. PATENT DOCUMENTS

D356,170 S *	3/1995	Ohtaka et al.	D26/49
D368,147 S *	3/1996	Bamber et al.	D26/49
D380,846 S *	7/1997	Kung	D26/49
D389,595 S *	1/1998	Hunter	D26/49
D463,593 S *	9/2002	Galli	D26/49
D505,218 S *	5/2005	Van Deursen	D26/49

D544,123 S *	6/2007	Galli	D26/49
D554,788 S *	11/2007	Chapman	D26/49
D576,757 S *	9/2008	Hesse et al.	D26/49
2010/0039801 A1 *	2/2010	Pelletier et al.	362/184
2010/0182777 A1 *	7/2010	Van Deursen	362/184

* cited by examiner

Primary Examiner — Ian Simmons

Assistant Examiner — Carissa C Fitts

(74) *Attorney, Agent, or Firm* — Babcock IP, PLLC

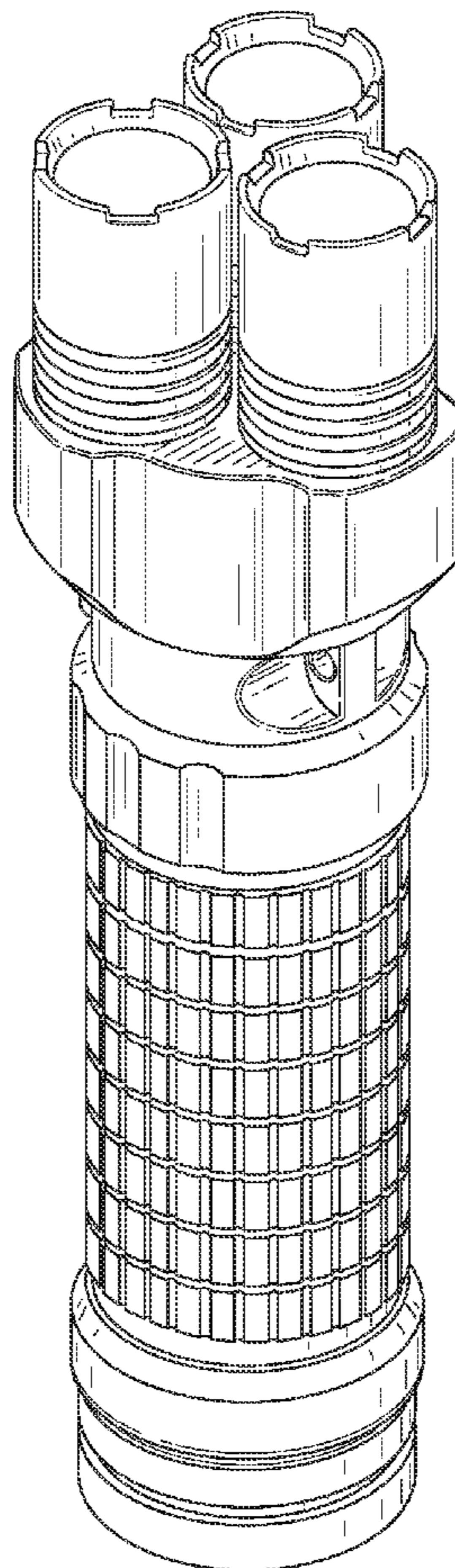
(57) **CLAIM**

I claim the ornamental design for a flashlight, as shown and described.

DESCRIPTION

FIG. 1 is a perspective view of the flashlight.
FIG. 2 is a front view of the flashlight.
FIG. 3 is a back view of the flashlight.
FIG. 4 is a bottom side view of the flashlight.
FIG. 5 is a top side view of the flashlight; and,
FIG. 6 is a right side view of the flashlight.
The broken line showing is for environmental purposes only and forms no part of the claimed design.

1 Claim, 5 Drawing Sheets



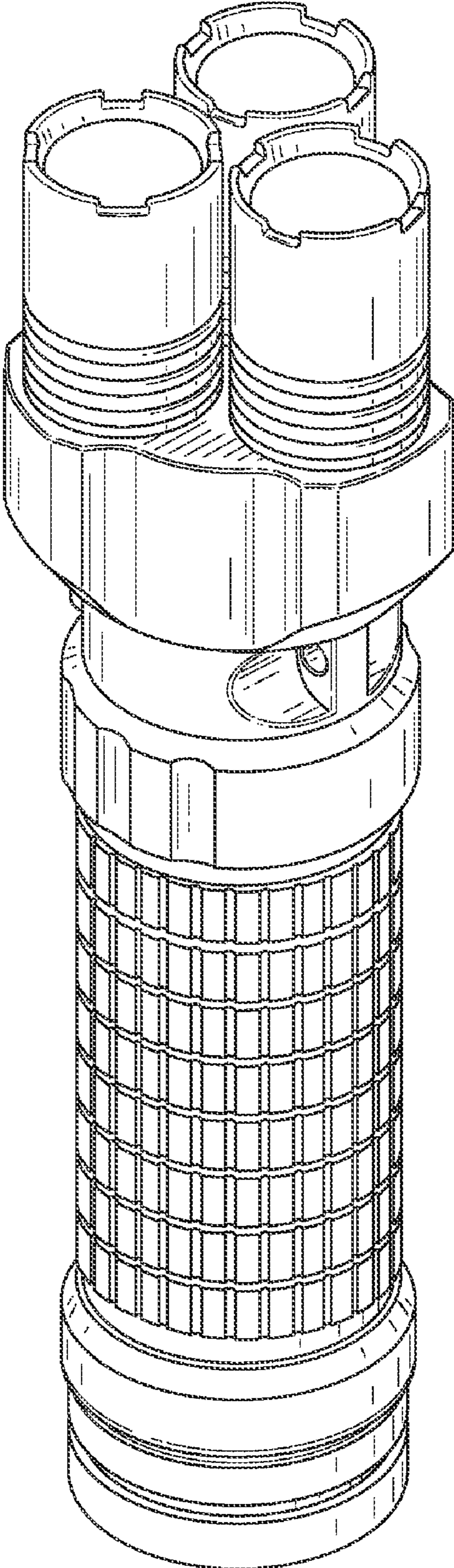


FIG. 1

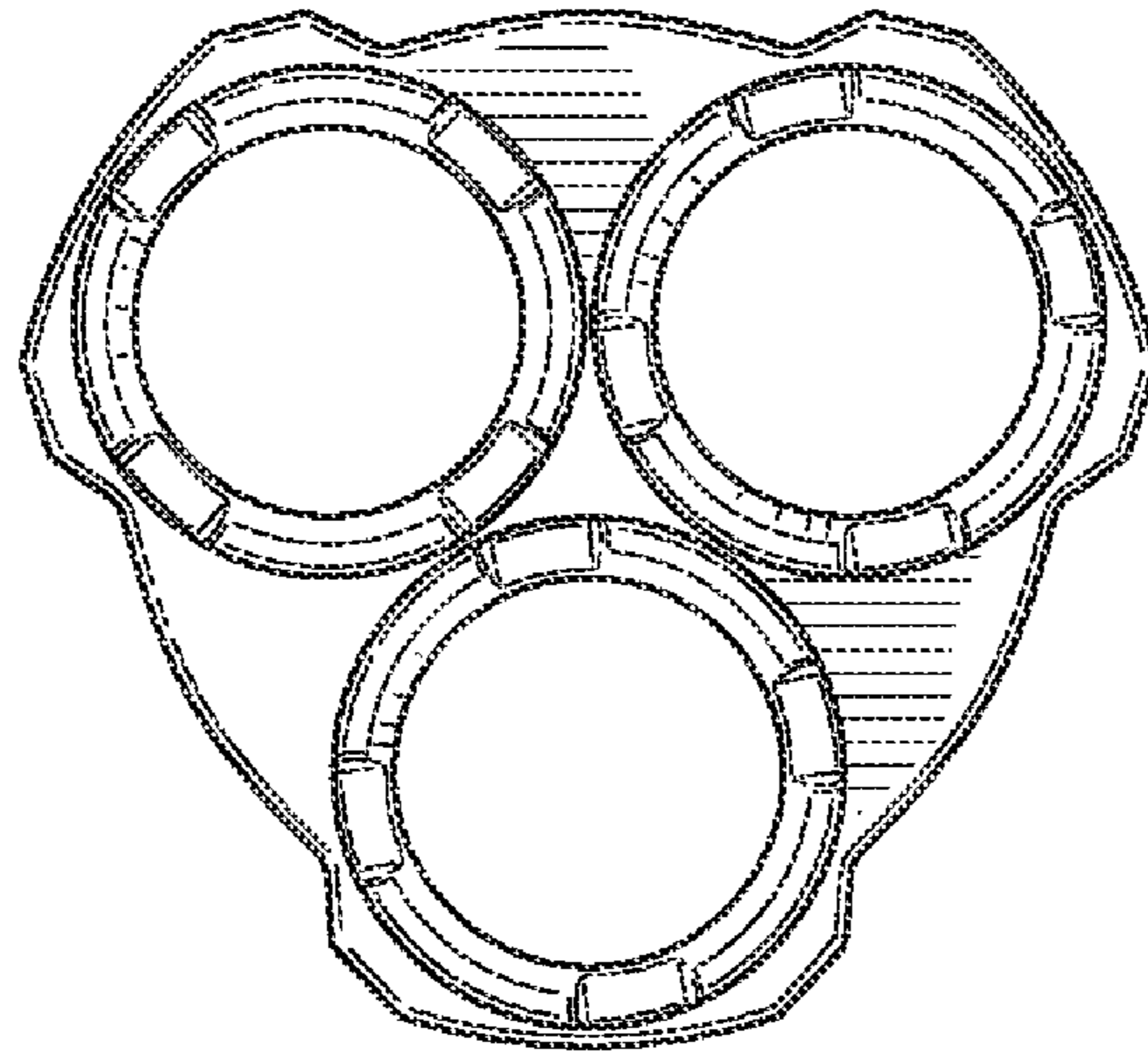


FIG. 2

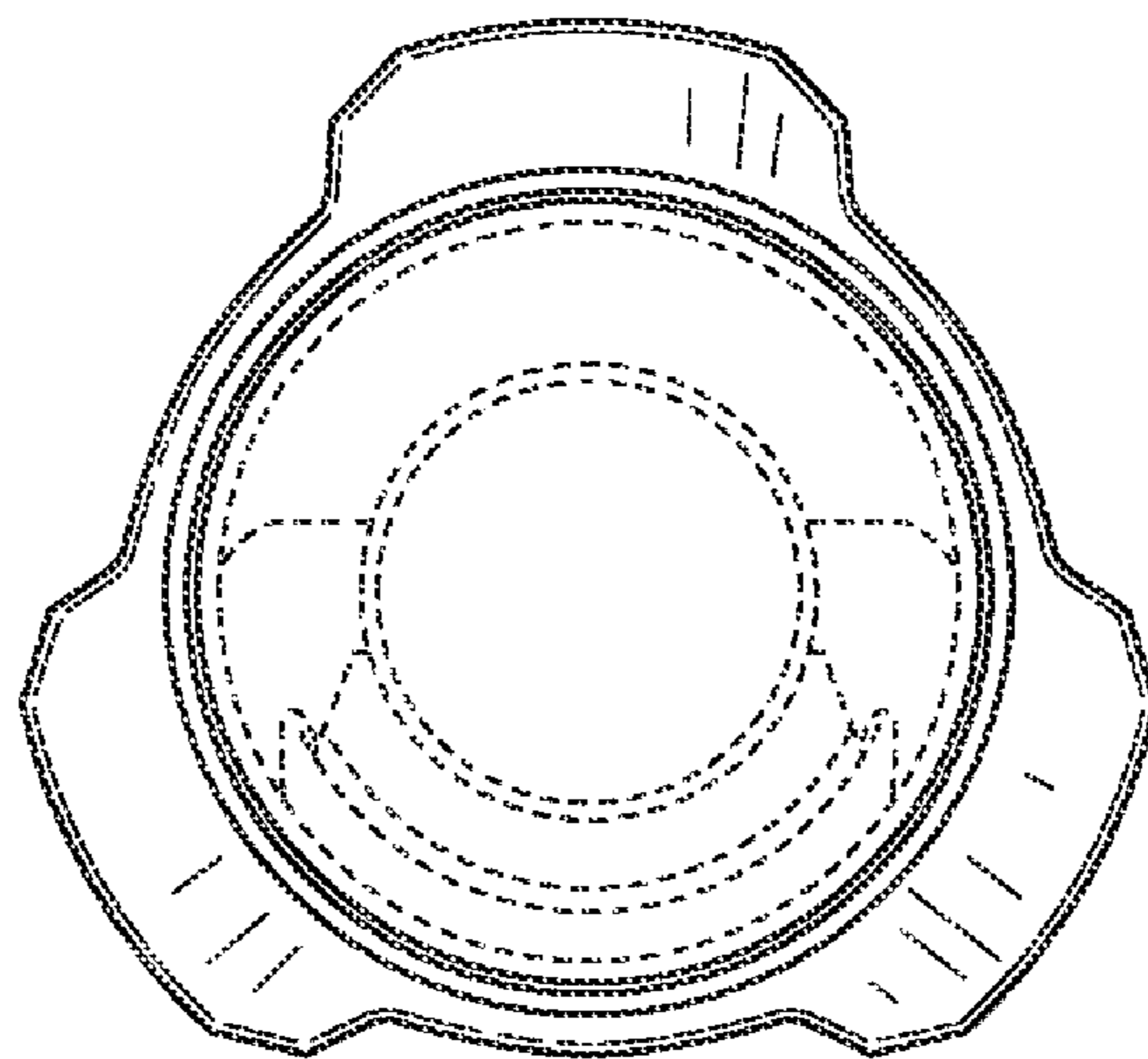


FIG. 3

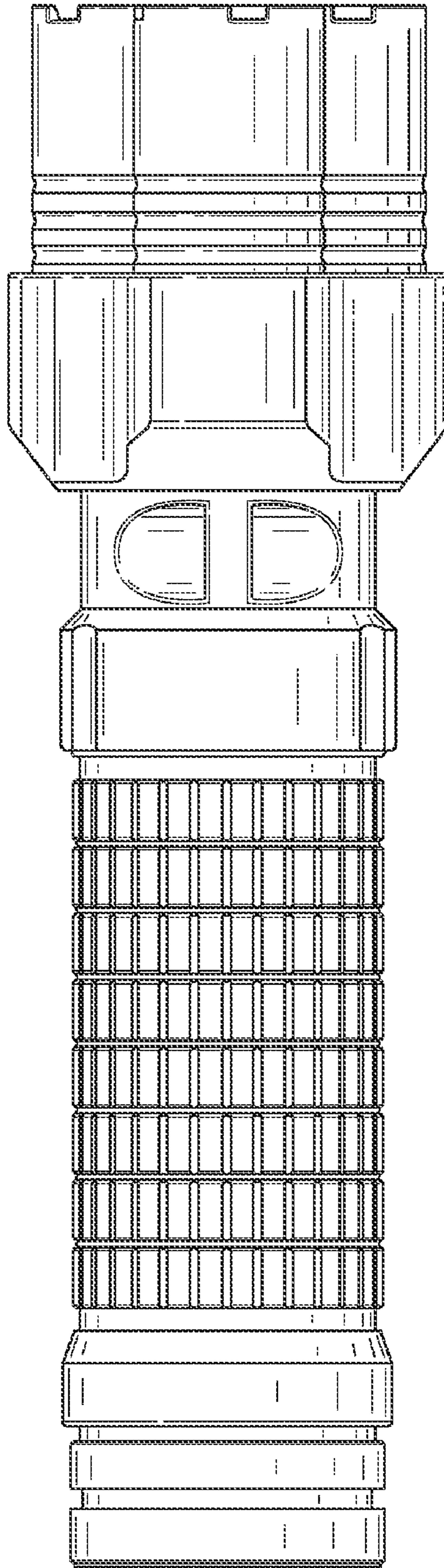


FIG. 4

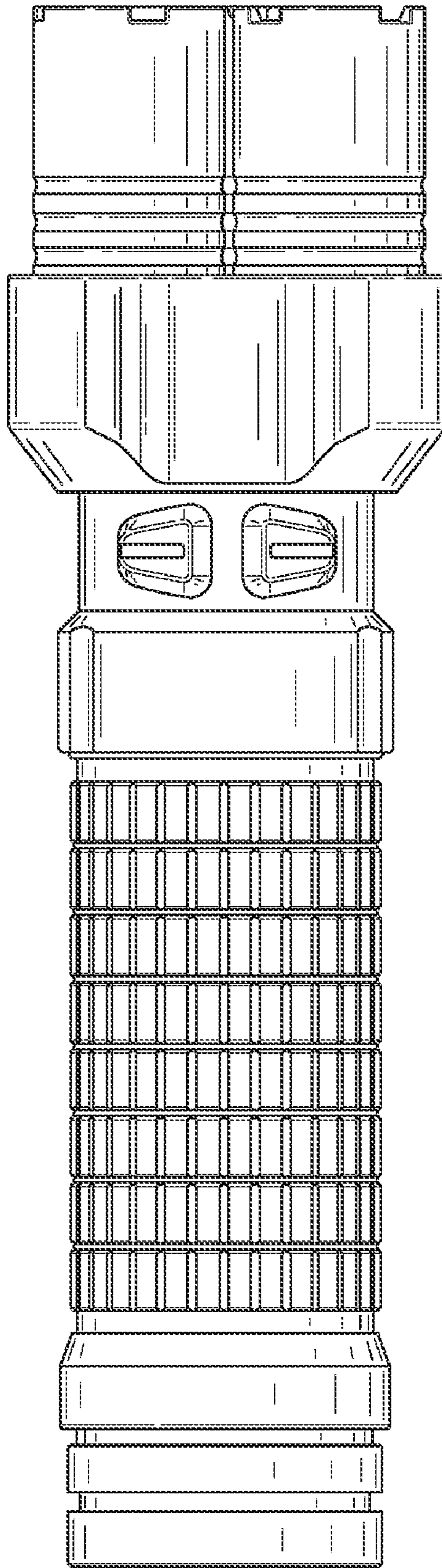


FIG. 5

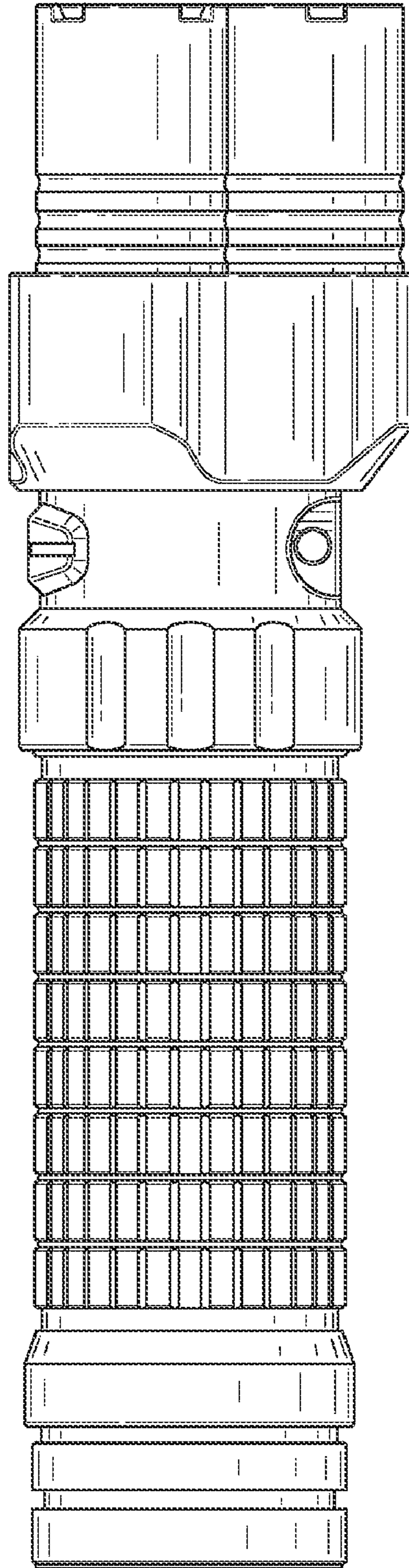


FIG. 6