



US00D636508S

(12) **United States Design Patent**  
**Nagano**

(10) **Patent No.:** **US D636,508 S**

(45) **Date of Patent:** **\*\* Apr. 19, 2011**

(54) **TAILLIGHT FOR A BICYCLE**

(75) **Inventor:** **Toshiyuki Nagano**, Osaka (JP)

(73) **Assignee:** **Cateye Co., Ltd.**, Osaka (JP)

(\*\*) **Term:** **14 Years**

(21) **Appl. No.:** **29/372,591**

(22) **Filed:** **Dec. 9, 2010**

(30) **Foreign Application Priority Data**

Jun. 18, 2010 (JP) ..... 2010-015043

(51) **LOC (9) Cl.** ..... **26-06**

(52) **U.S. Cl.** ..... **D26/28**

(58) **Field of Classification Search** ..... D26/28-36;  
362/459-468, 475-478, 485-487

See application file for complete search history.

(56) **References Cited**

U.S. PATENT DOCUMENTS

D540,481	S	*	4/2007	Okuda	.....	D26/28
D560,834	S	*	1/2008	Nagano	.....	D26/28
D569,016	S	*	5/2008	Tsukui et al.	.....	D26/28
D572,851	S	*	7/2008	Watanabe et al.	.....	D26/28

\* cited by examiner

*Primary Examiner* — Marcus A Jackson

(74) *Attorney, Agent, or Firm* — Olson & Cepuritis, Ltd.

(57) **CLAIM**

The ornamental design for a taillight for a bicycle, as shown.

**DESCRIPTION**

FIG. 1 is a perspective view of a taillight for a bicycle showing my new design;

FIG. 2 is a front view thereof;

FIG. 3 is a rear view thereof;

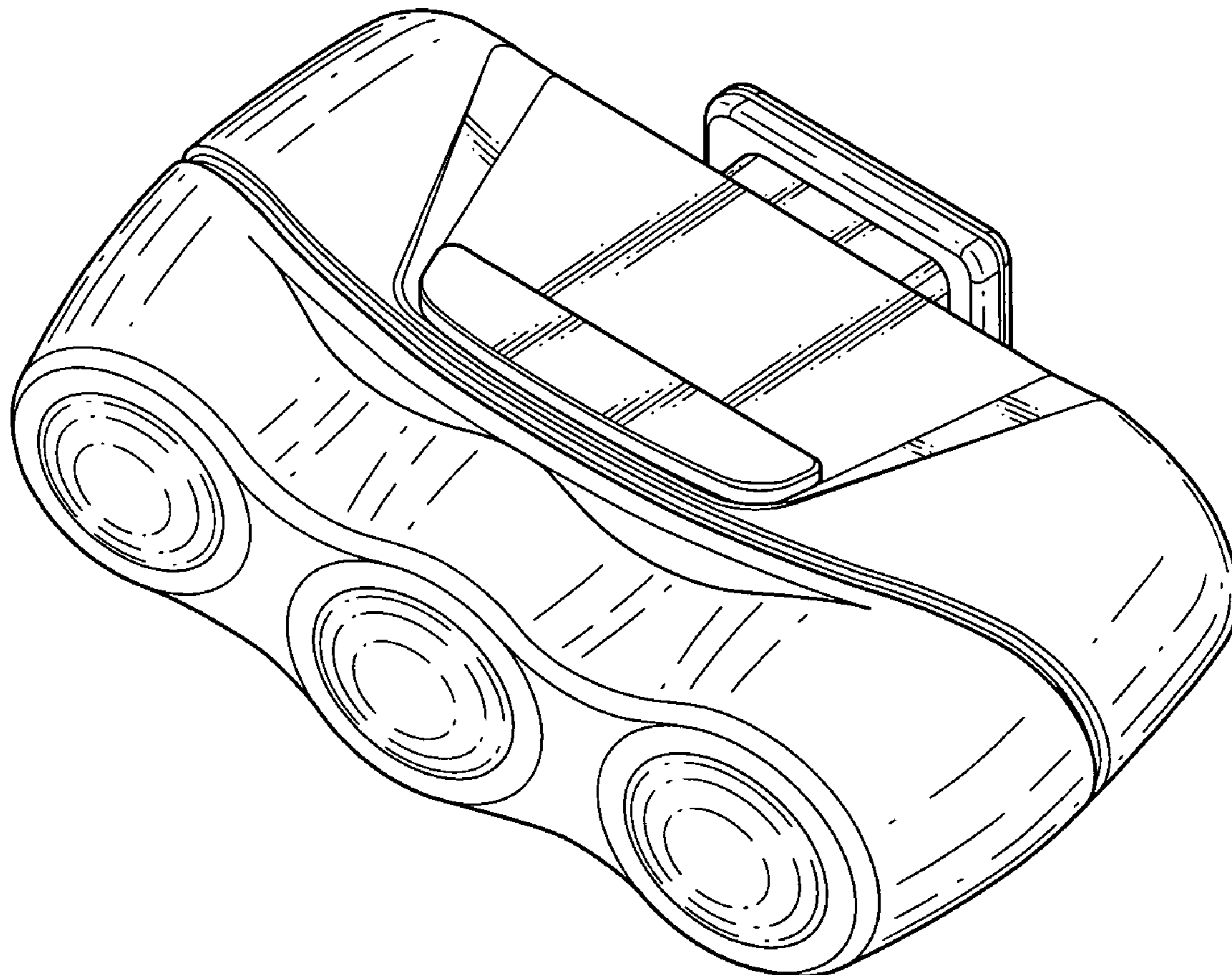
FIG. 4 is a top plan view thereof;

FIG. 5 is a bottom plan view thereof;

FIG. 6 is a right side view thereof; and,

FIG. 7 is a left side view thereof.

**1 Claim, 4 Drawing Sheets**



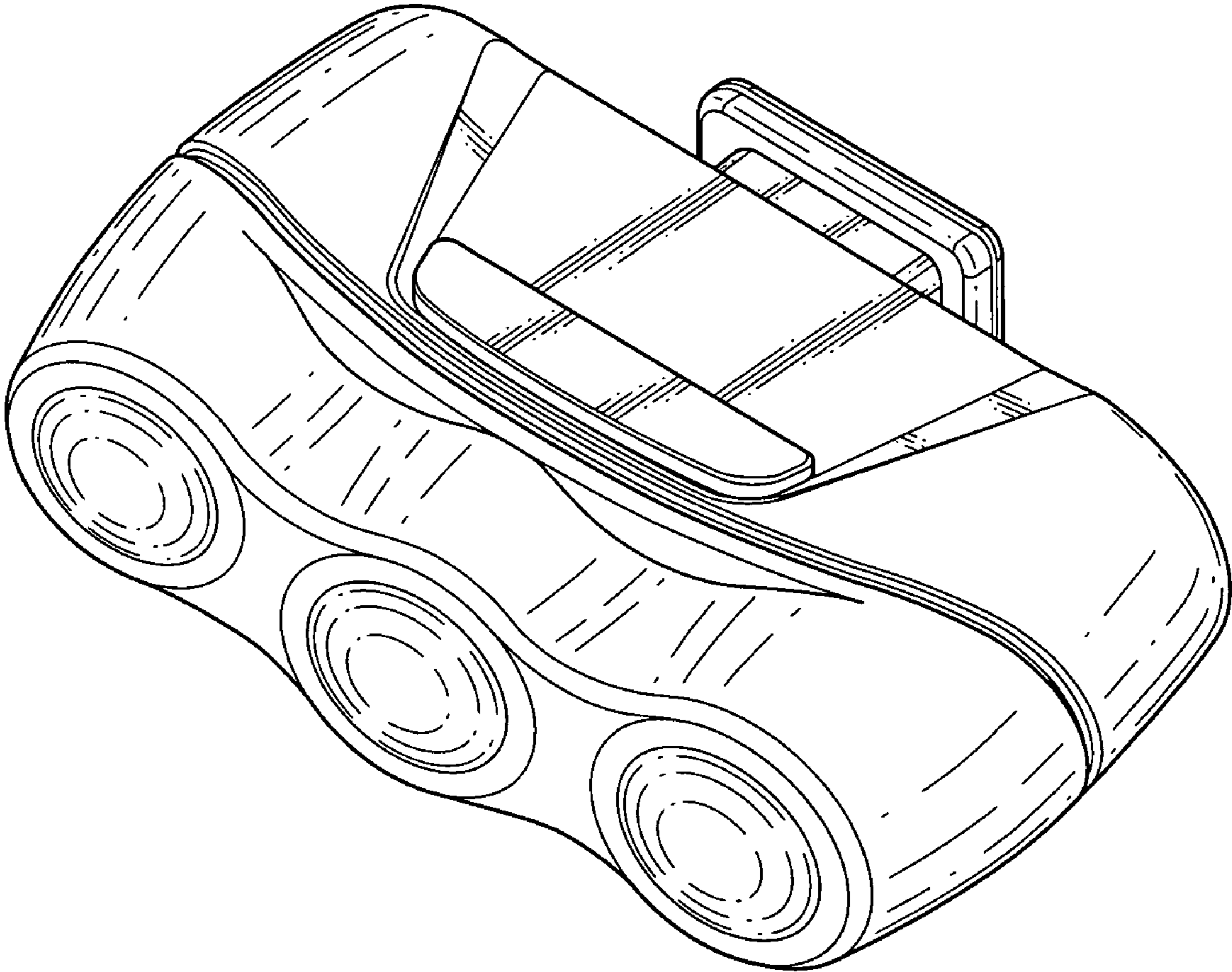


Fig. 1

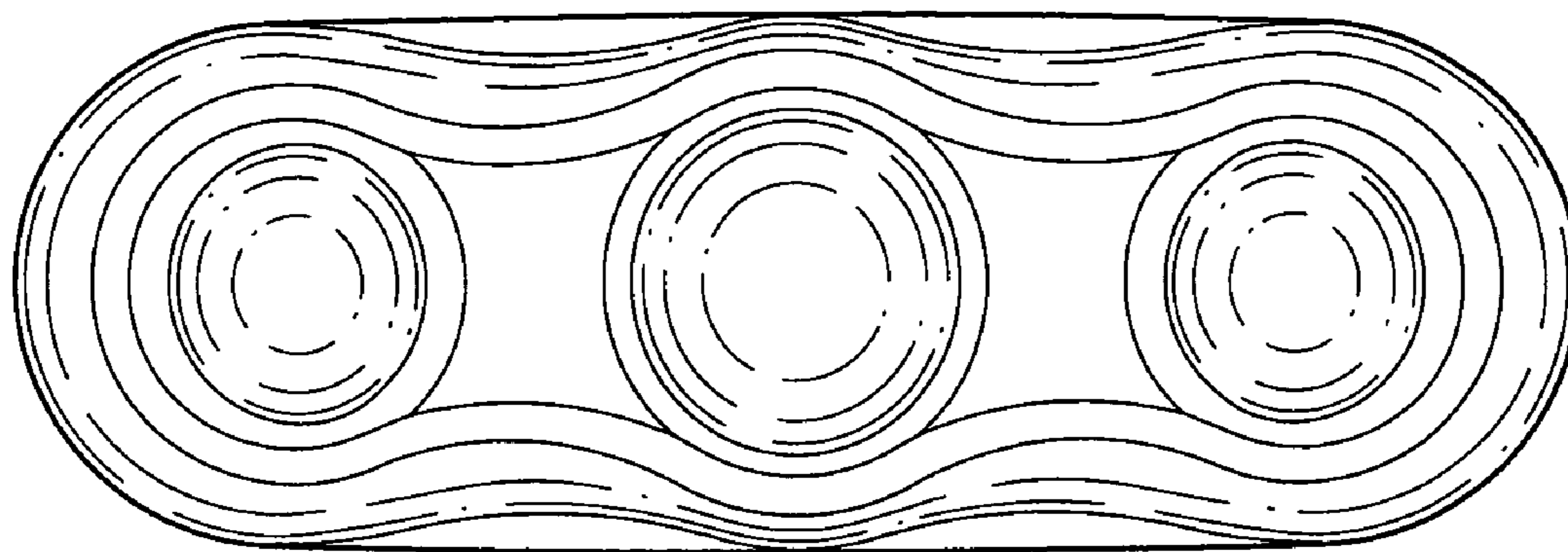


Fig. 2

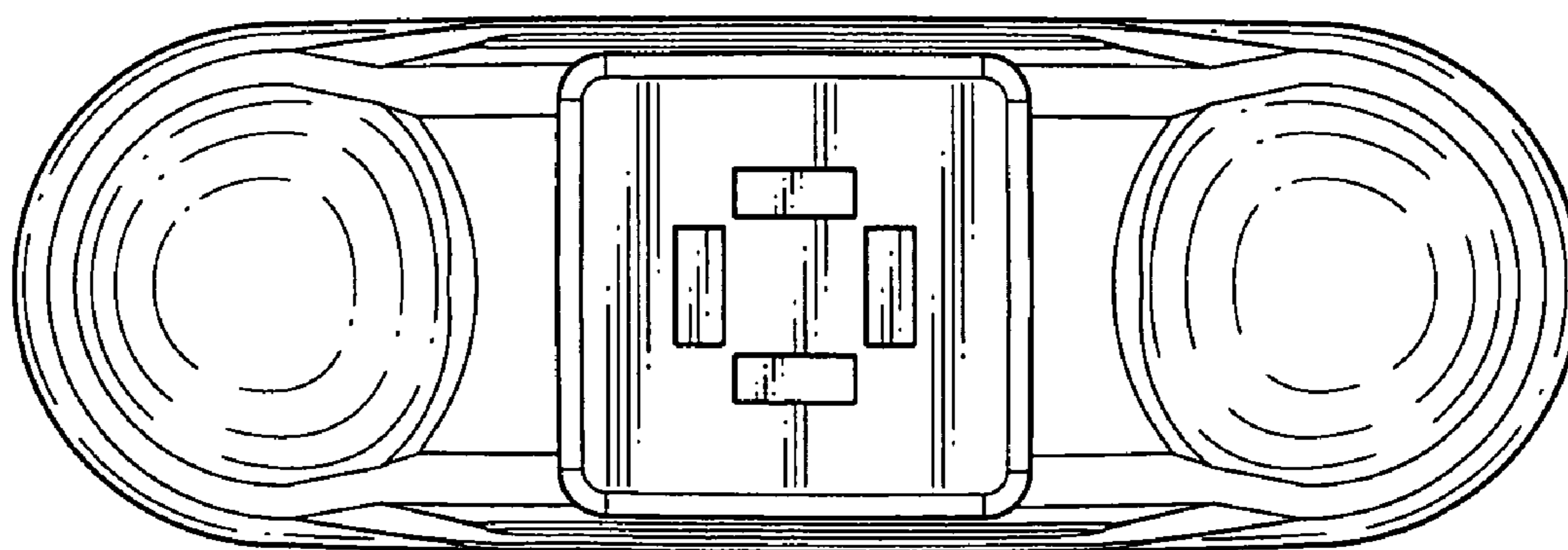


Fig. 3

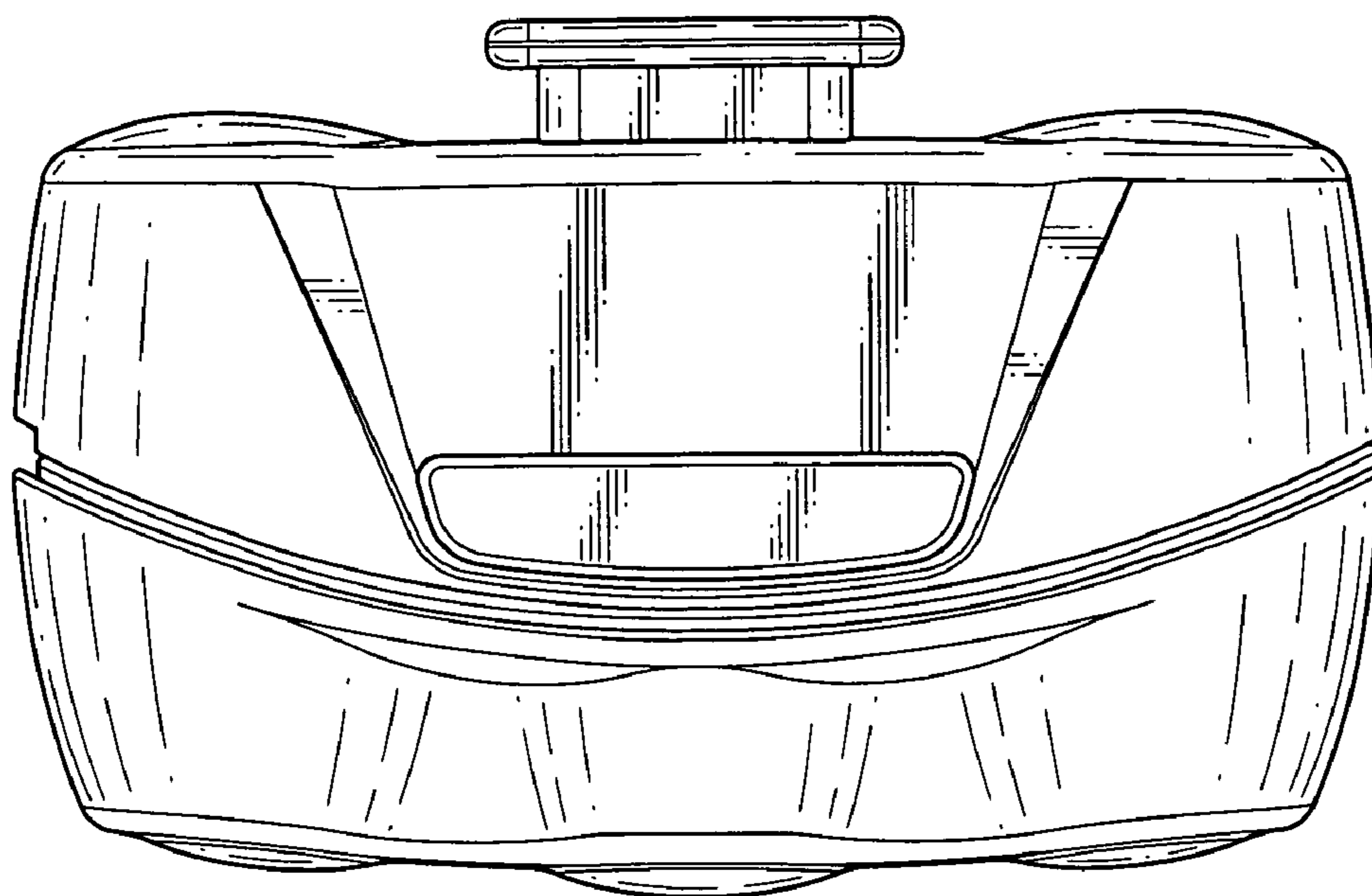


Fig. 4

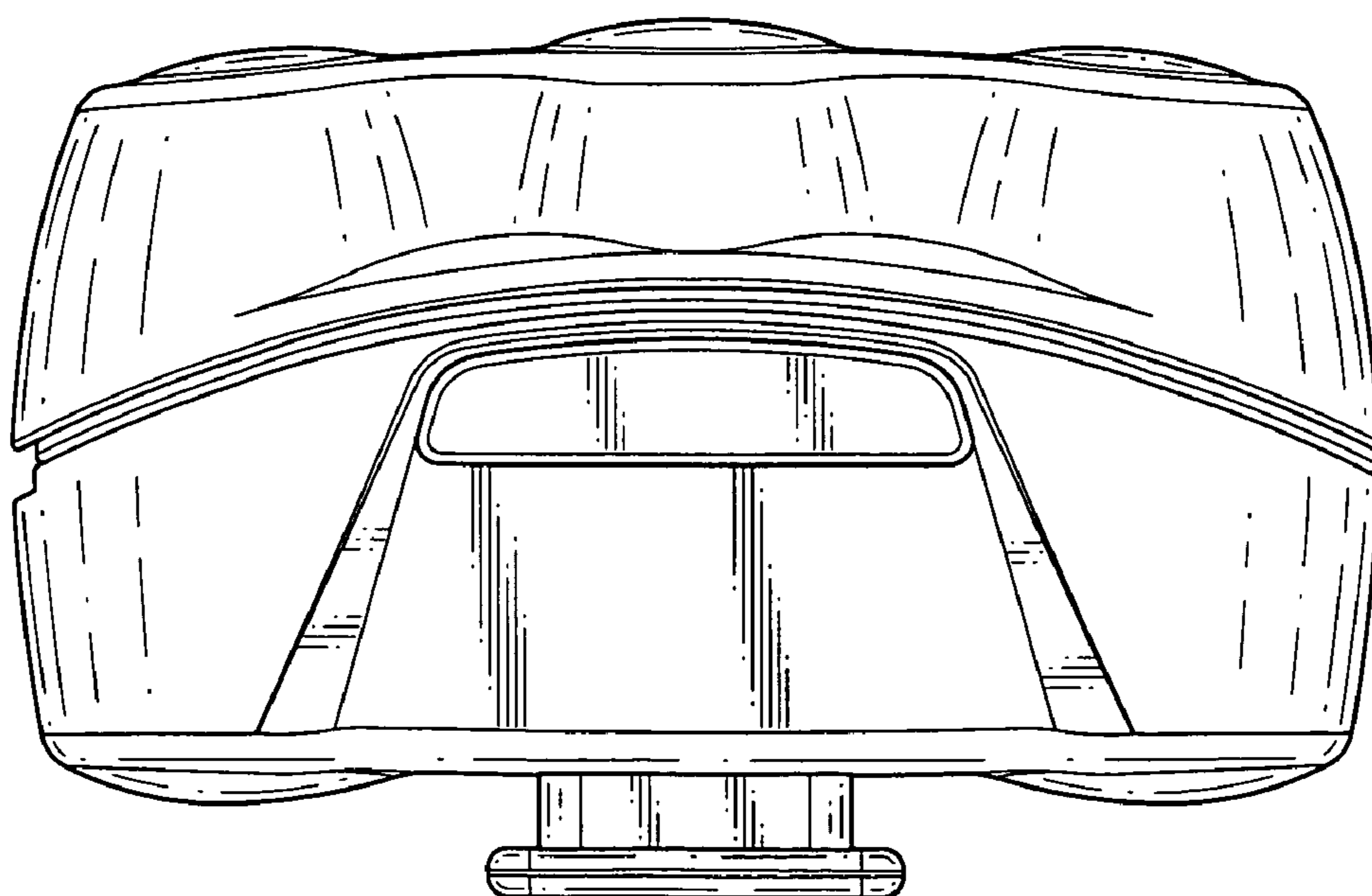


Fig. 5

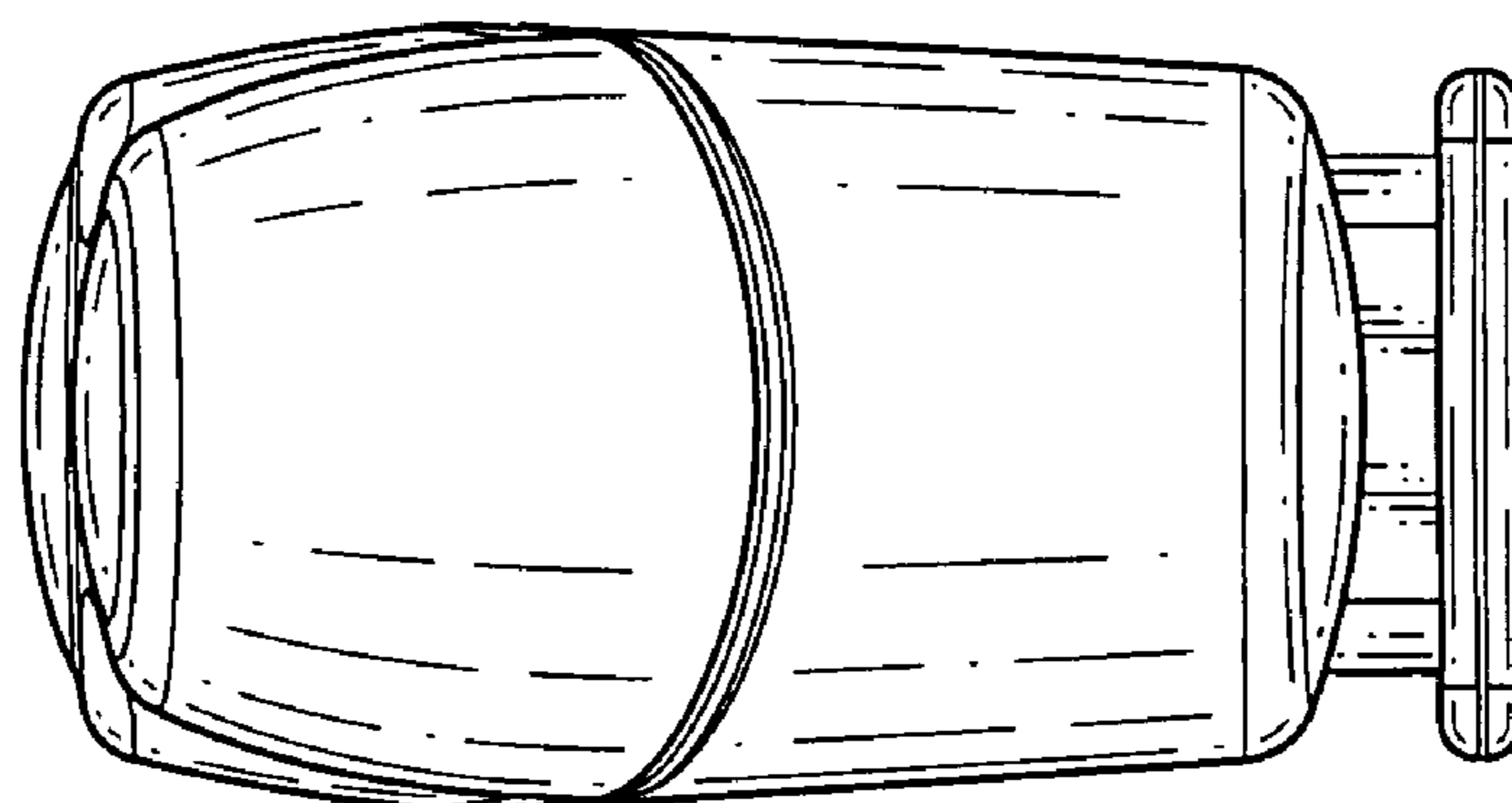


Fig. 6

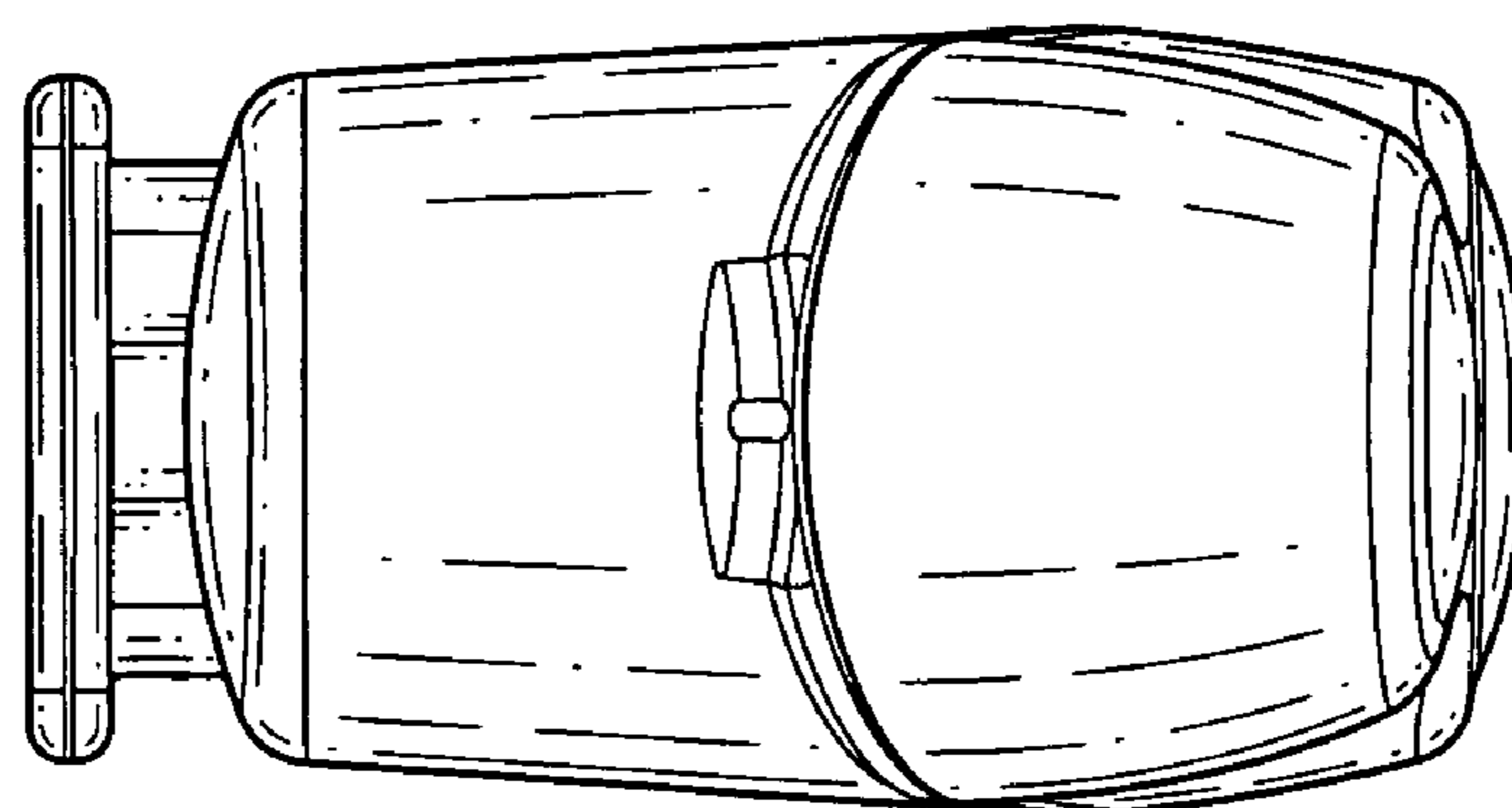


Fig. 7