



US00D636503S

(12) **United States Design Patent**  
**Parziale et al.**

(10) **Patent No.:** **US D636,503 S**  
(45) **Date of Patent:** **\*\* Apr. 19, 2011**

- (54) **ROOFING MEMBRANE SEAM PLATE**
- (75) Inventors: **Pat Parziale**, Elyria, OH (US); **Peter C. Garrigus**, Bryan, OH (US)
- (73) Assignee: **Talan Products, Inc.**, Cleveland, OH (US)
- (\*\*) Term: **14 Years**
- (21) Appl. No.: **29/304,329**
- (22) Filed: **Feb. 28, 2008**

4,900,208 A	2/1990	Kaiser et al.	
4,945,699 A	8/1990	Murphy	
4,987,714 A	1/1991	Lemke	
5,018,329 A *	5/1991	Hasan et al.	52/410
5,069,589 A	12/1991	Lemke	
5,102,275 A	4/1992	Hulsey	
5,217,339 A	6/1993	O'Connor et al.	
5,255,485 A	10/1993	Lemke et al.	
5,267,423 A	12/1993	Giznuzzi	
5,378,102 A	1/1995	Mossman	
5,709,059 A	1/1998	Murphy et al.	
5,803,693 A	9/1998	Choiniere et al.	
5,882,043 A	3/1999	Murphy et al.	
5,915,903 A	6/1999	Osterle et al.	
5,930,969 A	8/1999	Mayle et al.	
5,951,225 A	9/1999	Osterle et al.	
6,095,737 A *	8/2000	Barker et al.	411/359

**Related U.S. Application Data**

- (63) Continuation-in-part of application No. 11/971,748, filed on Jan. 9, 2008.
- (51) **LOC (9) Cl.** ..... **25-99**
- (52) **U.S. Cl.** ..... **D25/199**
- (58) **Field of Classification Search** ..... 52/410; 411/359; D8/330, 349, 359, 399, 499; D25/199  
See application file for complete search history.

(Continued)

**FOREIGN PATENT DOCUMENTS**

- CN 635907 4/1983
- (Continued)

*Primary Examiner* — T. Chase Nelson  
*Assistant Examiner* — Ania K Dworzecka  
 (74) *Attorney, Agent, or Firm* — Wells St. John P.S.

(56) **References Cited**

**U.S. PATENT DOCUMENTS**

1,435,134 A	11/1922	Boley	
2,334,406 A	11/1943	Gray	
4,361,997 A	12/1982	DeCaro	
4,380,413 A	4/1983	Dewey	
4,455,804 A	6/1984	Francovitch	
4,467,581 A	8/1984	Francovitch	
4,476,660 A	10/1984	Francovitch	
4,520,606 A	6/1985	Francovitch	
4,630,984 A	12/1986	Reinwall et al.	
4,631,433 A	12/1986	Stokes	
4,641,472 A	2/1987	Young et al.	
4,726,164 A	2/1988	Reinwall et al.	
4,744,187 A	5/1988	Tripp	
4,757,661 A *	7/1988	Hasan	52/410
4,763,456 A	8/1988	Giannuzzi	
4,787,188 A	11/1988	Murphy	
4,803,823 A	2/1989	Stenson	

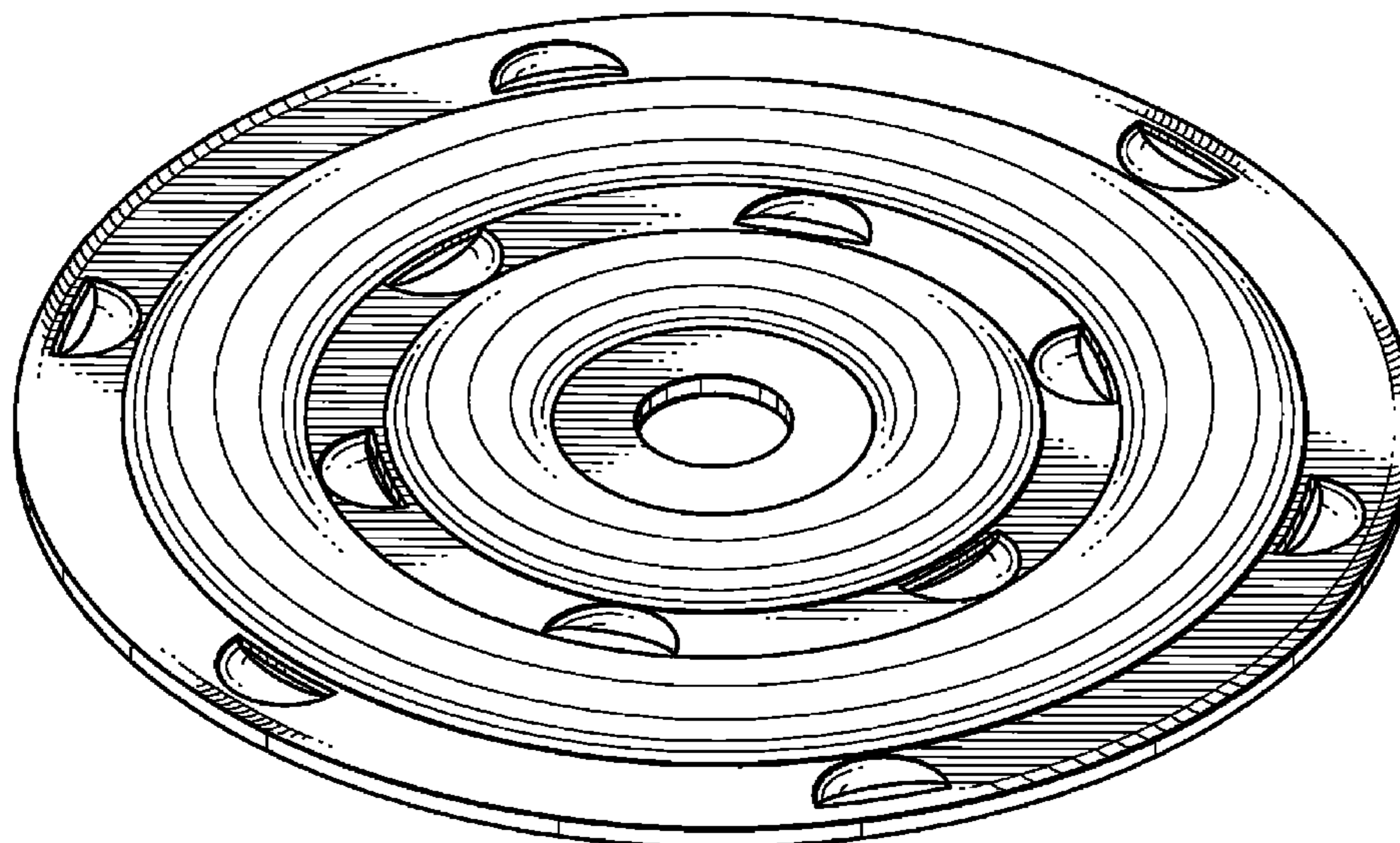
(57) **CLAIM**

The ornamental design for a roofing membrane seam plate, as shown and described.

**DESCRIPTION**

FIG. 1 is a top perspective view of a roofing membrane seam plate showing inventors' new design;  
 FIG. 2 is a top plan view;  
 FIG. 3 is a bottom plan view;  
 FIG. 4 is a rear elevational view;  
 FIG. 5 is a front elevational view;  
 FIG. 6 is a right side elevational view; and,  
 FIG. 7 is a left side elevational view.

**1 Claim, 5 Drawing Sheets**



# US D636,503 S

Page 2

---

## U.S. PATENT DOCUMENTS

6,205,730	B1	3/2001	Hasan et al.	
6,233,889	B1	5/2001	Hulsey	
6,250,034	B1	6/2001	Hulsey	
D446,319	S	8/2001	Rubenacker	
6,282,857	B1	9/2001	Rubenacker	
6,665,991	B2	12/2003	Hasan	
7,631,468	B2 *	12/2009	Gong et al.	52/410
2003/0033780	A1 *	2/2003	Hasan	52/410
2003/0126816	A1 *	7/2003	Hasan et al.	52/409

2004/0148888	A1 *	8/2004	Kuhn et al.	52/410
2006/0185289	A1 *	8/2006	Gong et al.	52/410

## FOREIGN PATENT DOCUMENTS

DE	85253588	1/1986
FR	1362380	4/1964
GB	2027786	2/1980
NL	7700937	1/1977

\* cited by examiner

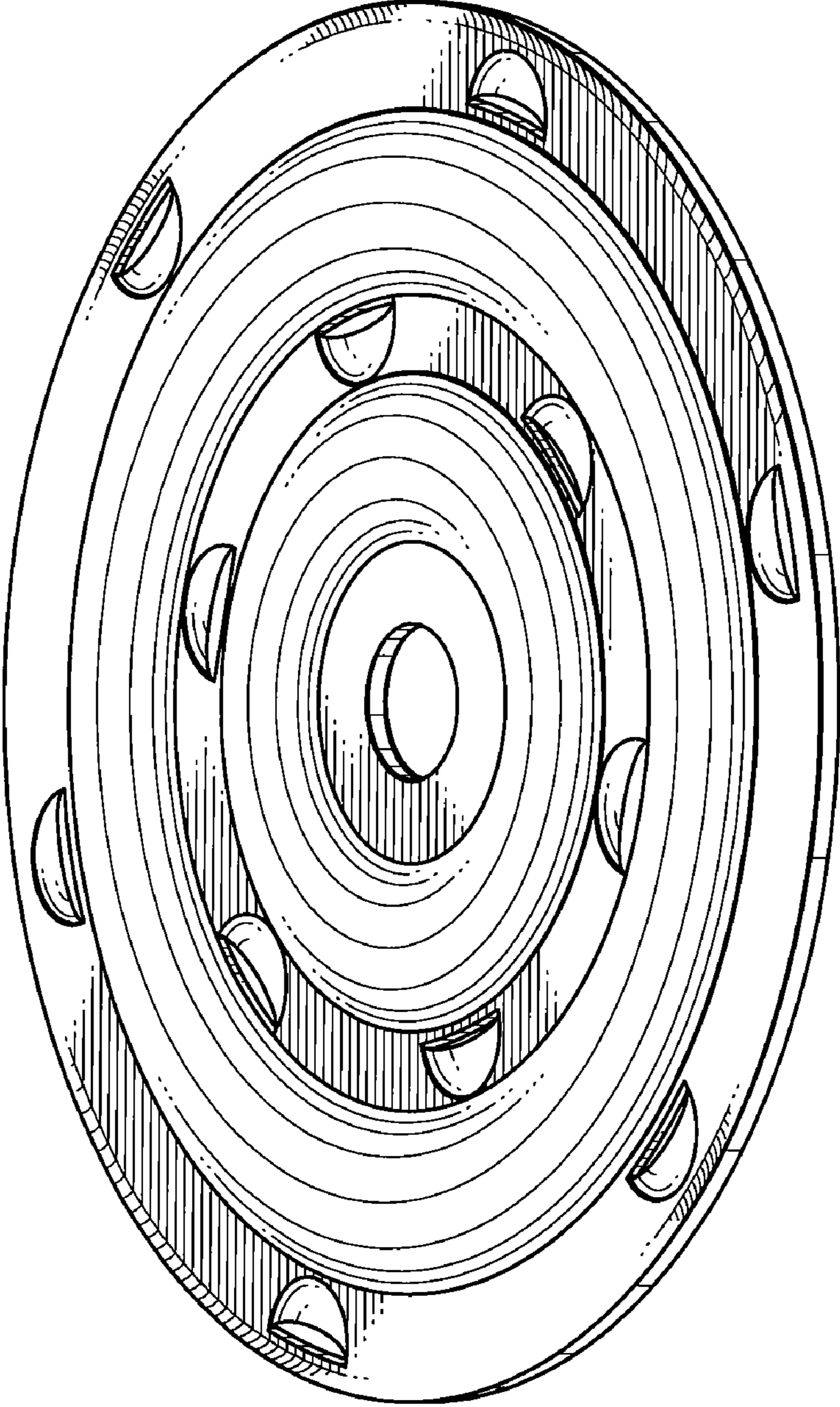
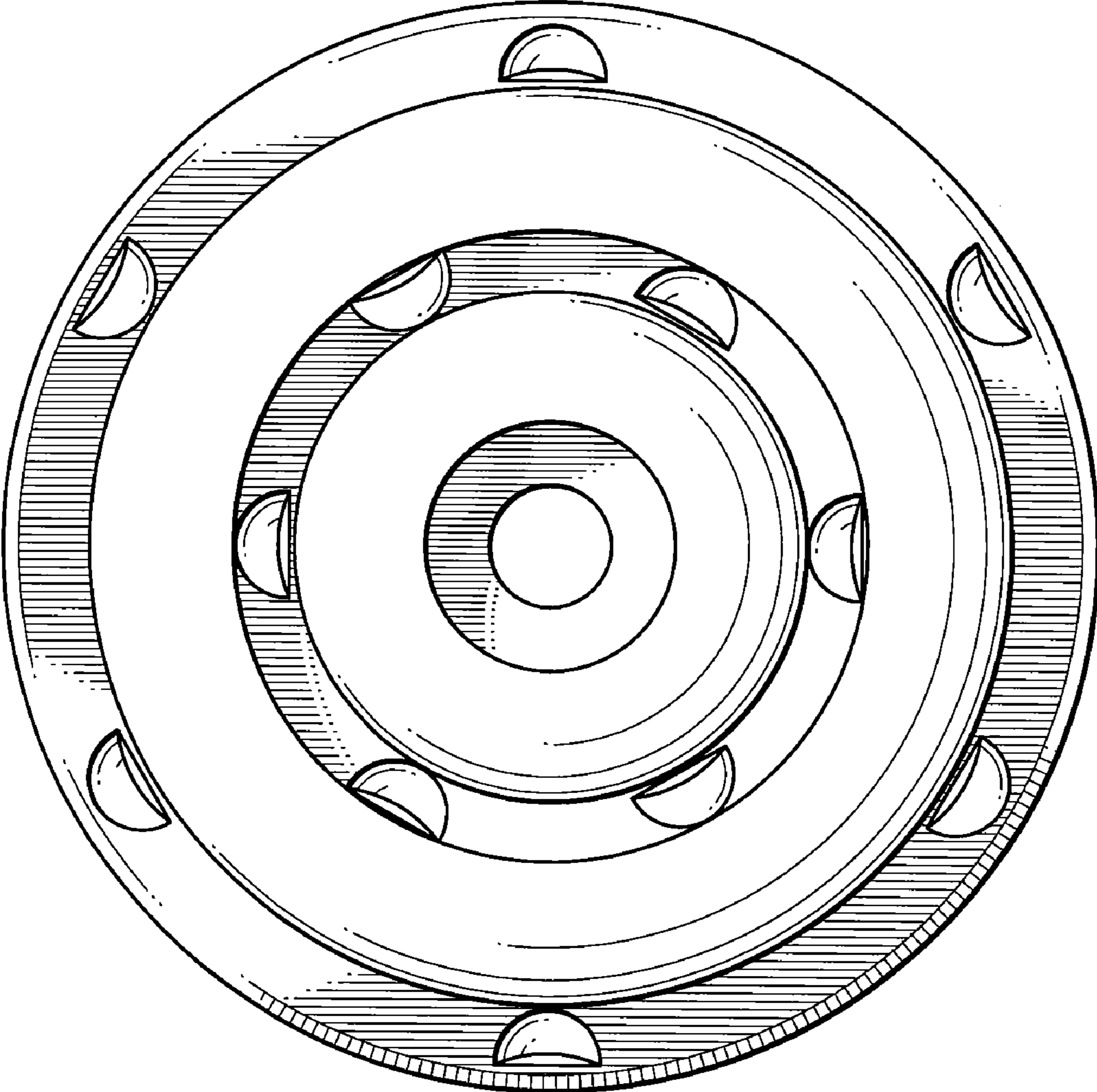
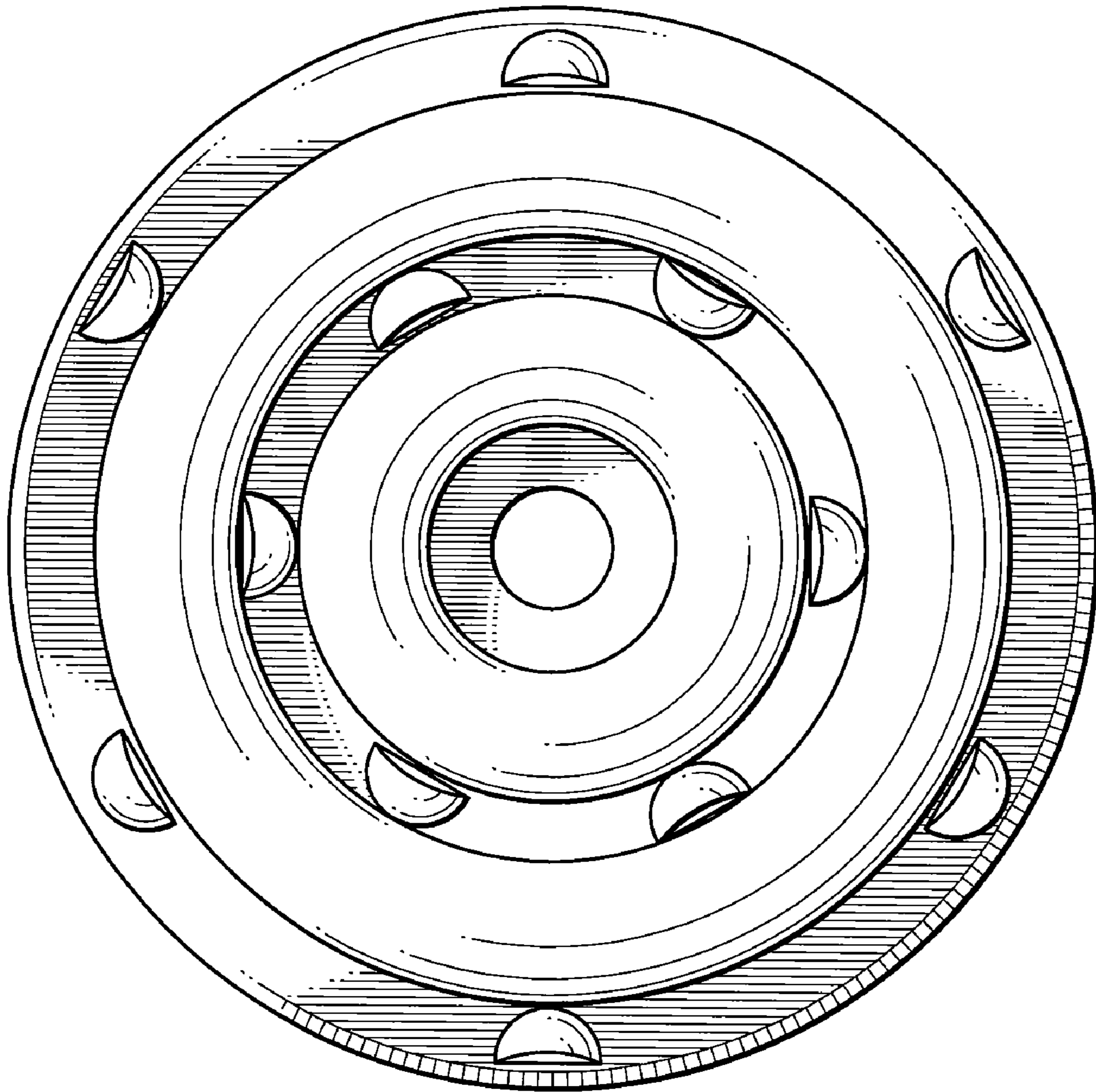


FIG. 1



*U.S. Pat. & TM Off.*





*Fig. 3*

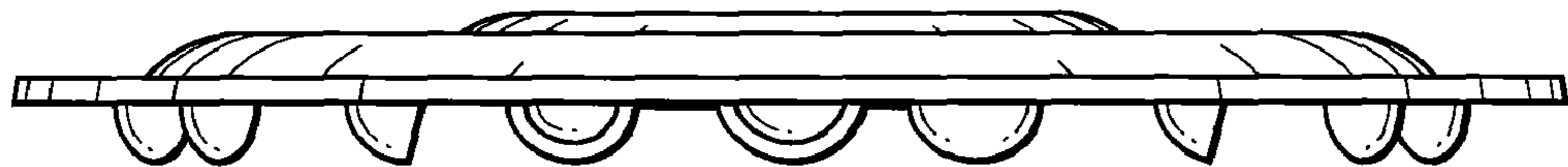


Fig. 4



Fig. 5

