



US00D636500S

(12) **United States Design Patent**  
**Gullicks et al.**

(10) **Patent No.:** **US D636,500 S**  
(45) **Date of Patent:** **\*\* Apr. 19, 2011**

(54) **DUAL CHAMBER CARTRIDGE**

(75) Inventors: **Scott D. Gullicks**, Apple Valley, MN (US); **Jeffrey R. Janssen**, Ho Chi Minh (VN); **Mark F. Schulz**, Lake Elmo, MN (US); **Ryan Patrick Simmers**, Cottage Grove, MN (US)

(73) Assignee: **3M Innovative Properties Company**, St. Paul, MN (US)

(\*\*) Term: **14 Years**

(21) Appl. No.: **29/325,462**

(22) Filed: **Oct. 1, 2008**

(51) **LOC (9) Cl.** ..... **28-03**

(52) **U.S. Cl.** ..... **D24/221; D24/130**

(58) **Field of Classification Search** ..... D9/414, D9/711, 723, 730, 734, 740, 434, 436, 455, D9/457, 501, 517; D24/130, 133, 216, 221, D24/224; D7/706; D8/14.1

See application file for complete search history.

(56) **References Cited**

**U.S. PATENT DOCUMENTS**

3,933,273	A	1/1976	Cox	
D251,104	S *	2/1979	Sanchez et al.	D7/706
4,691,845	A	9/1987	Schwartz	
D309,015	S *	7/1990	Fechtner et al.	D24/224
D349,054	S *	7/1994	Cross et al.	D9/455
D353,995	S *	1/1995	Foster	D9/734
6,047,861	A	4/2000	Vidal et al.	
6,129,244	A	10/2000	Horth	
6,244,740	B1	6/2001	Wagner et al.	
6,311,871	B1	11/2001	Binder	

6,352,177	B1	3/2002	Bublewitz et al.	
D458,369	S *	6/2002	Helmholz et al.	D24/133
6,457,609	B1	10/2002	Keller	
6,523,992	B1	2/2003	Bublewitz et al.	
6,631,829	B1	10/2003	Wagner et al.	
D510,769	S *	10/2005	Bublewitz et al.	D24/224
D514,705	S *	2/2006	Bublewitz et al.	D24/224
D544,610	S *	6/2007	Ouchi et al.	D24/224
D581,044	S *	11/2008	Sudo et al.	D24/130
D594,131	S *	6/2009	Nguyen	D24/216
D601,250	S *	9/2009	Haunschild	D24/133
D603,668	S *	11/2009	Gullicks et al.	D8/14.1
D603,721	S *	11/2009	Masucci	D9/734
2005/0232073	A1	10/2005	Wagner et al.	
2008/0144426	A1	6/2008	Janssen et al.	

\* cited by examiner

*Primary Examiner* — Thomas J Johannes

(74) *Attorney, Agent, or Firm* — Philip P. Soo

(57) **CLAIM**

The ornamental design for a dual chamber cartridge, as shown and described.

**DESCRIPTION**

FIG. 1 is a perspective view showing our new design for a dual chamber cartridge;

FIG. 2 is a front elevation view thereof;

FIG. 3 is a back elevation view thereof;

FIG. 4 is a left side elevation view thereof;

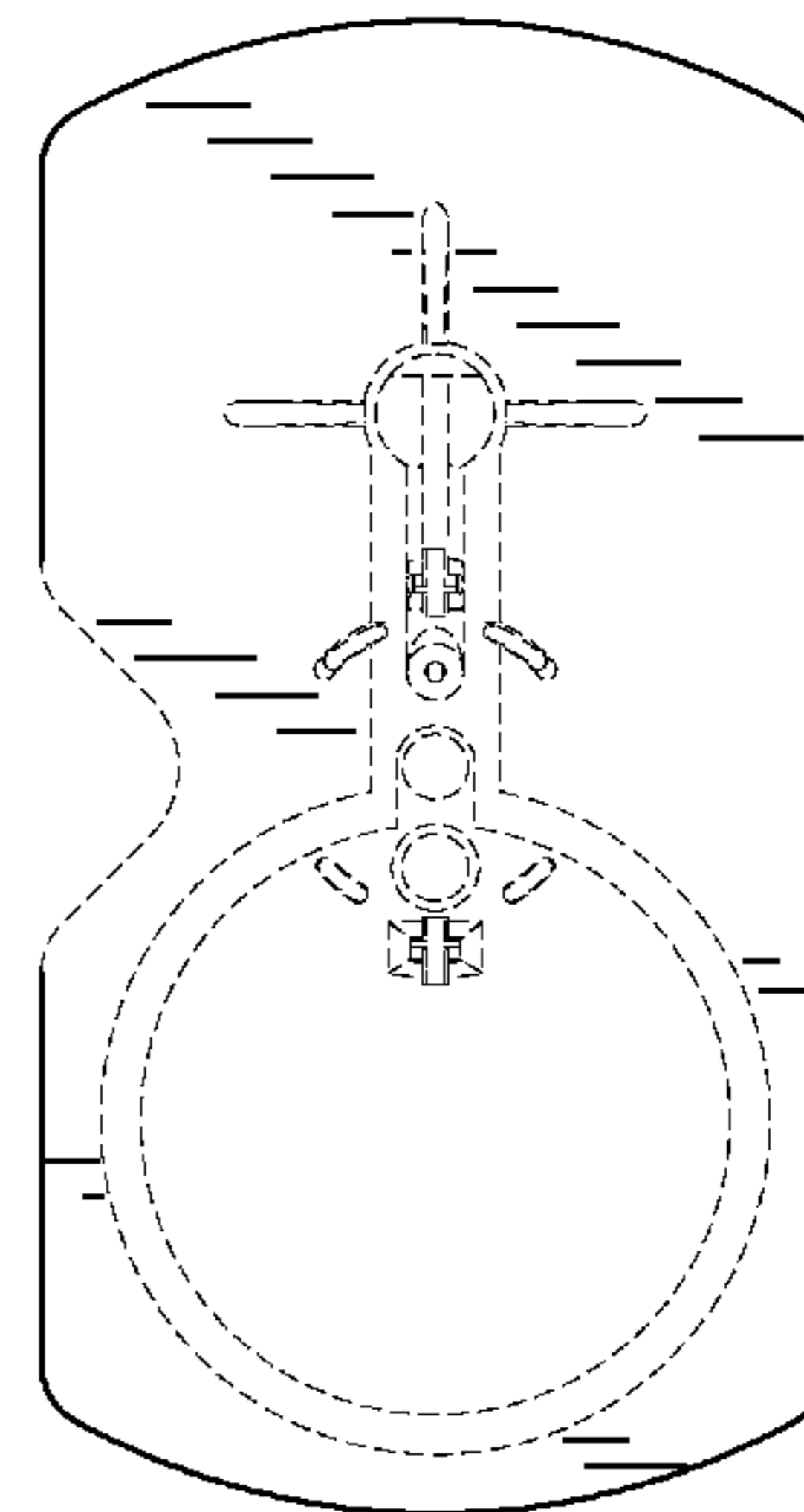
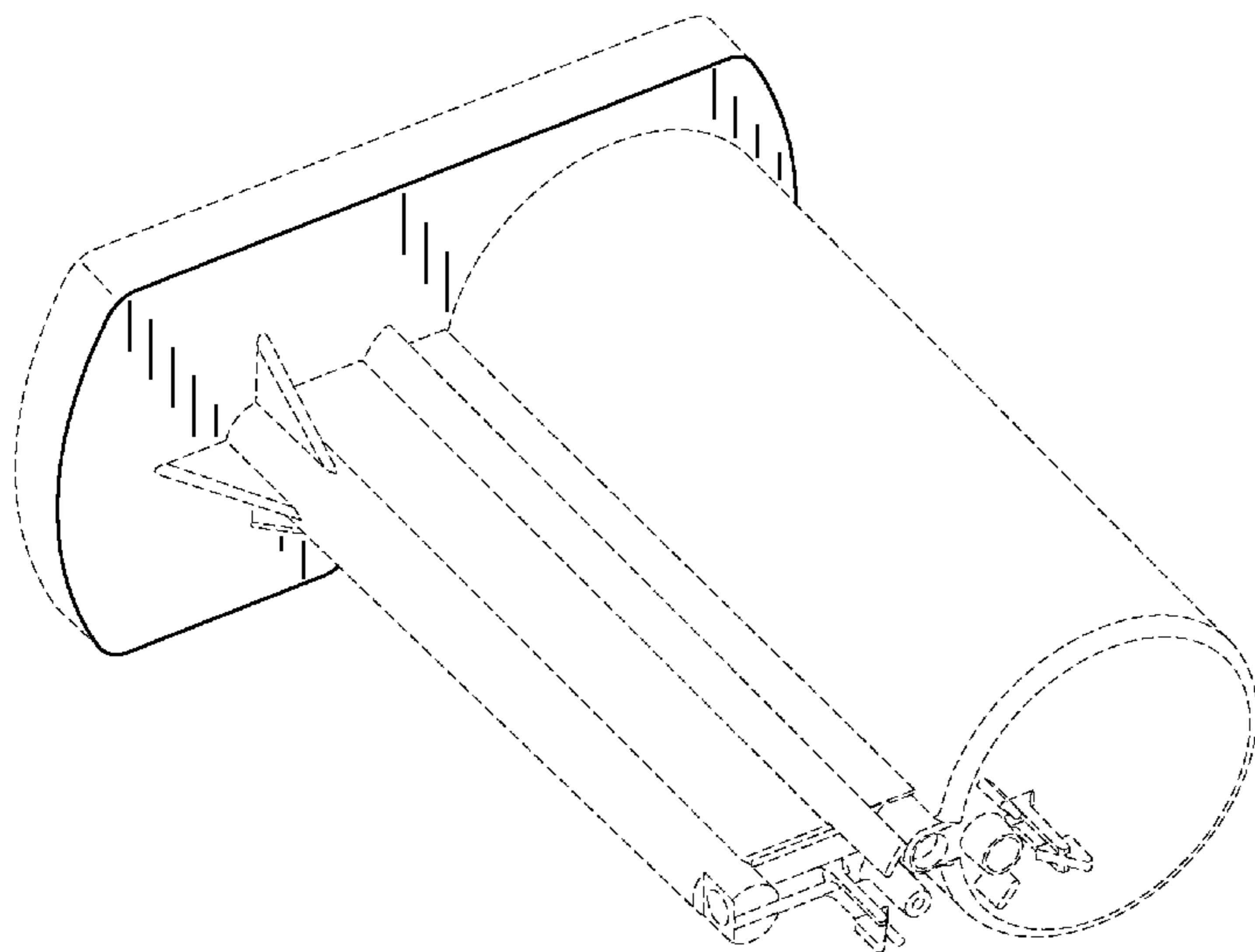
FIG. 5 is a right side elevation view thereof;

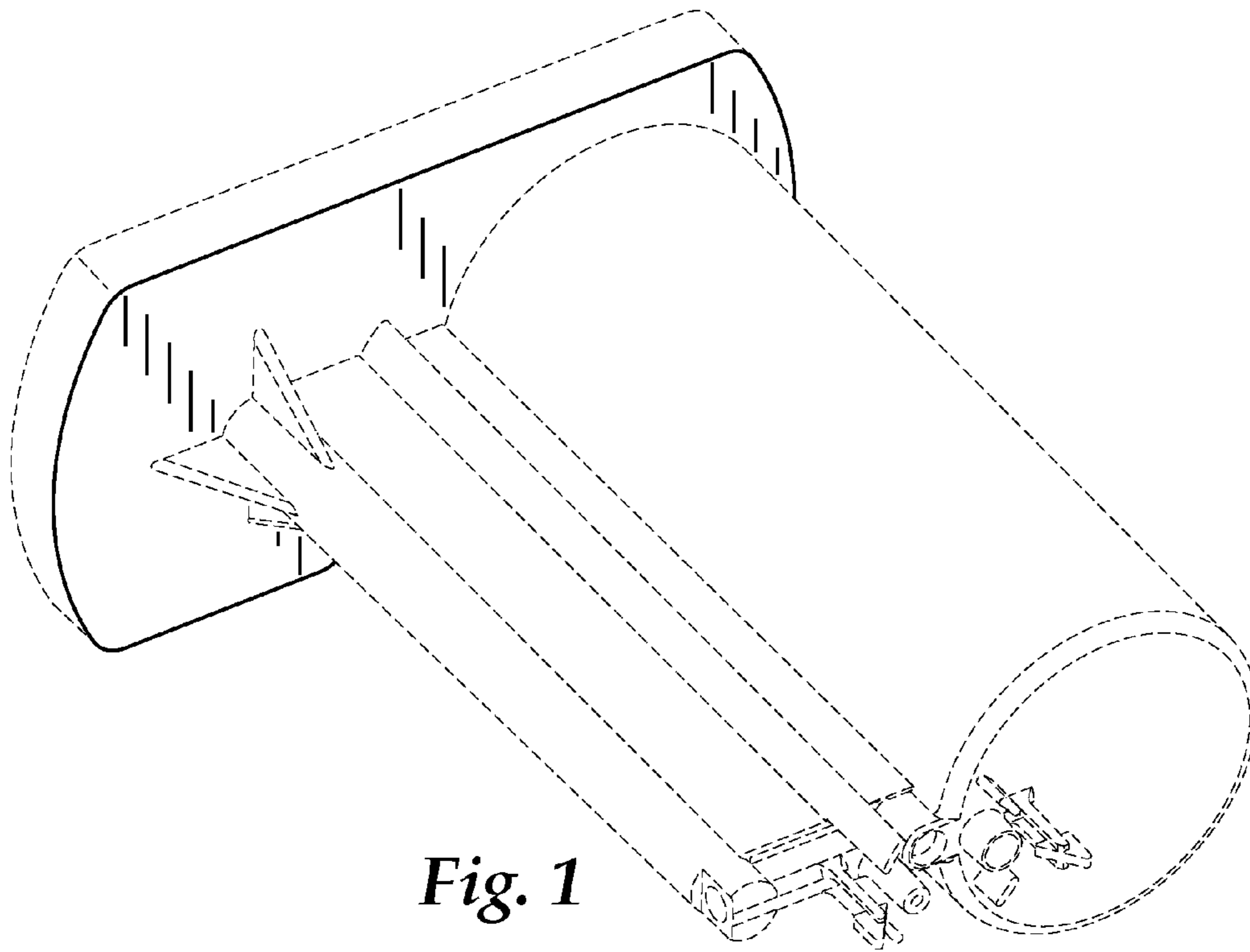
FIG. 6 is a top plan view thereof; and,

FIG. 7 is a bottom plan view thereof.

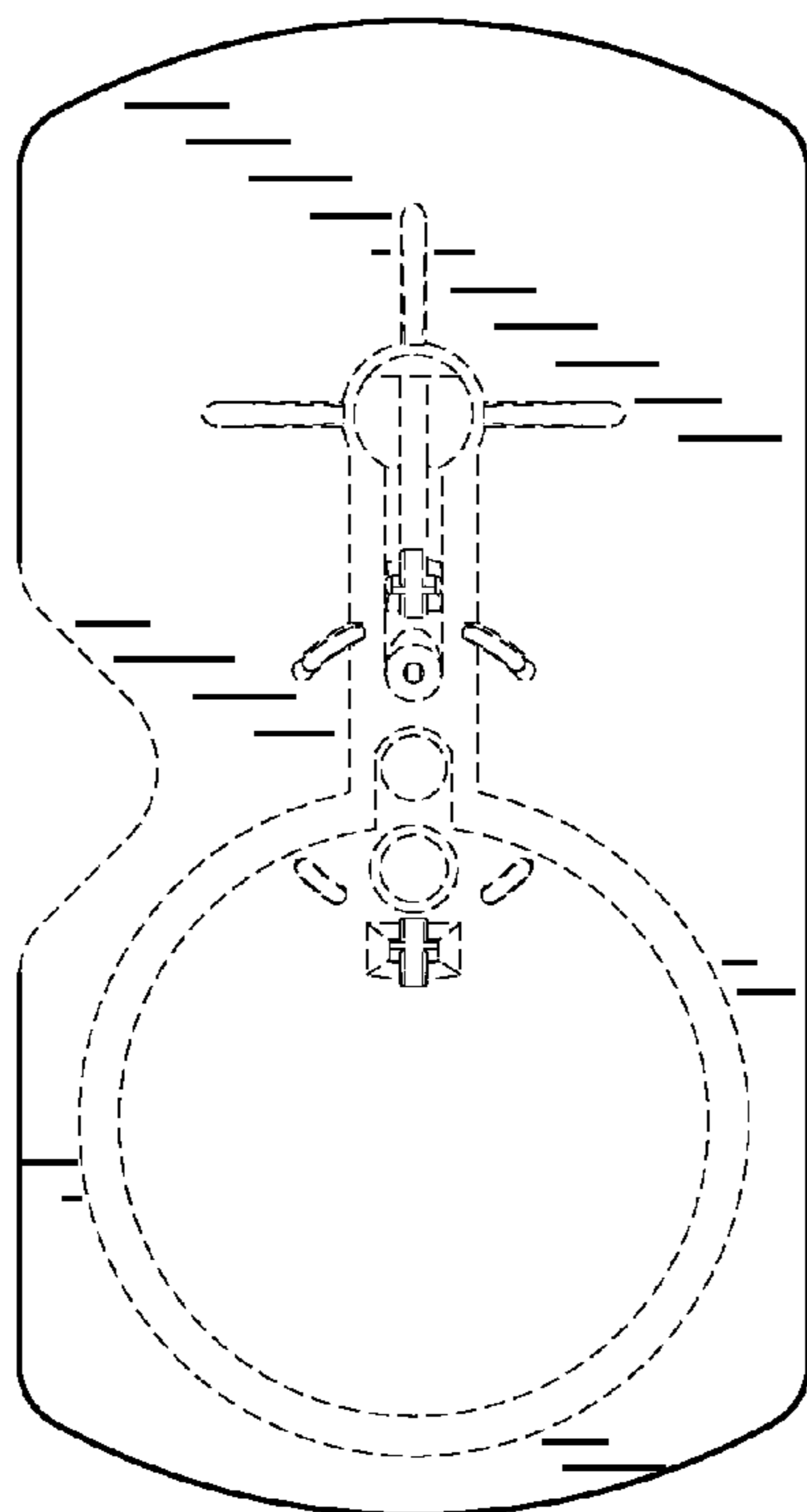
The broken line portion of the figure drawings is included to show unclaimed subject matter only and forms no part of the claimed design.

**1 Claim, 3 Drawing Sheets**

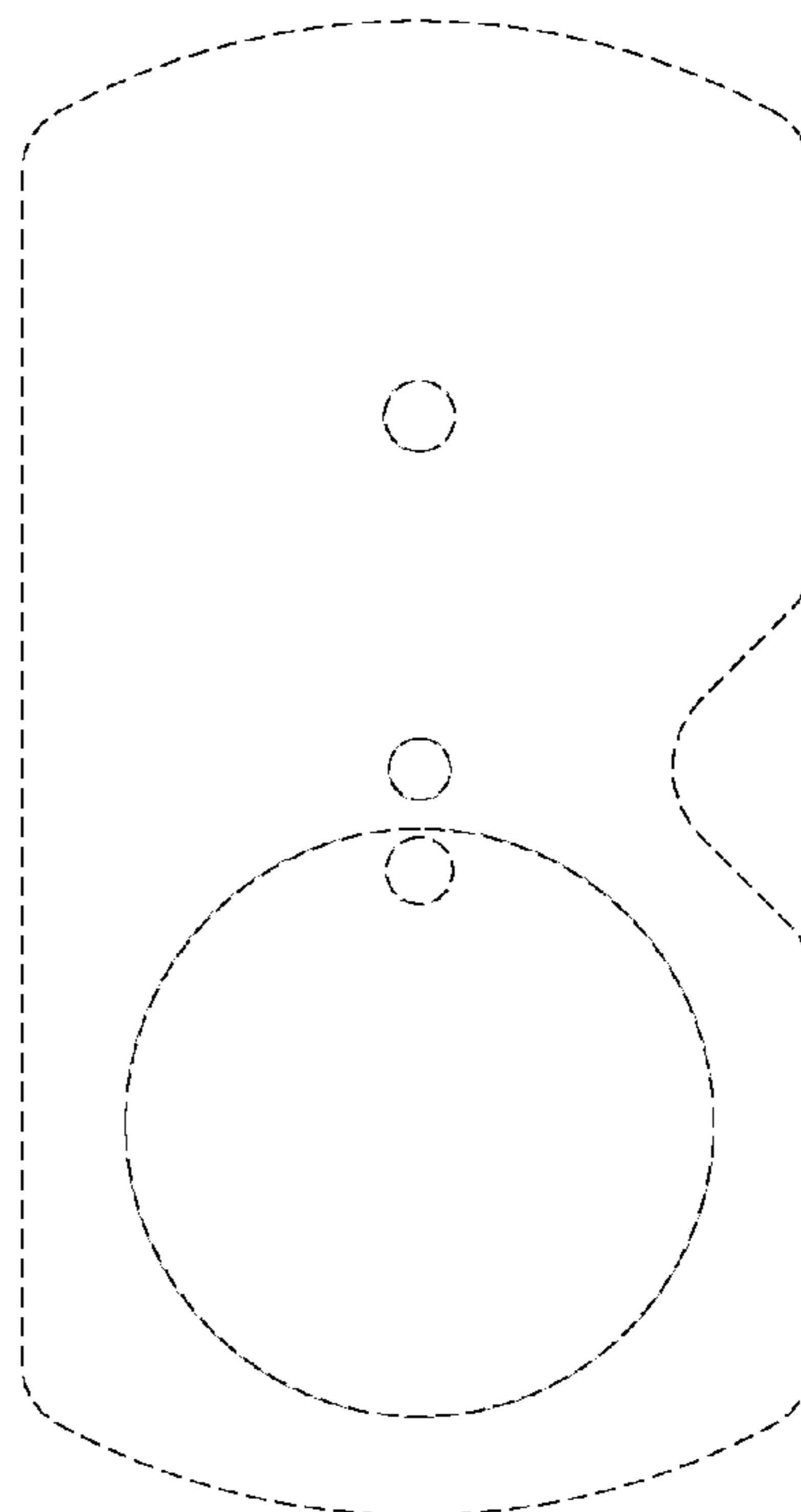




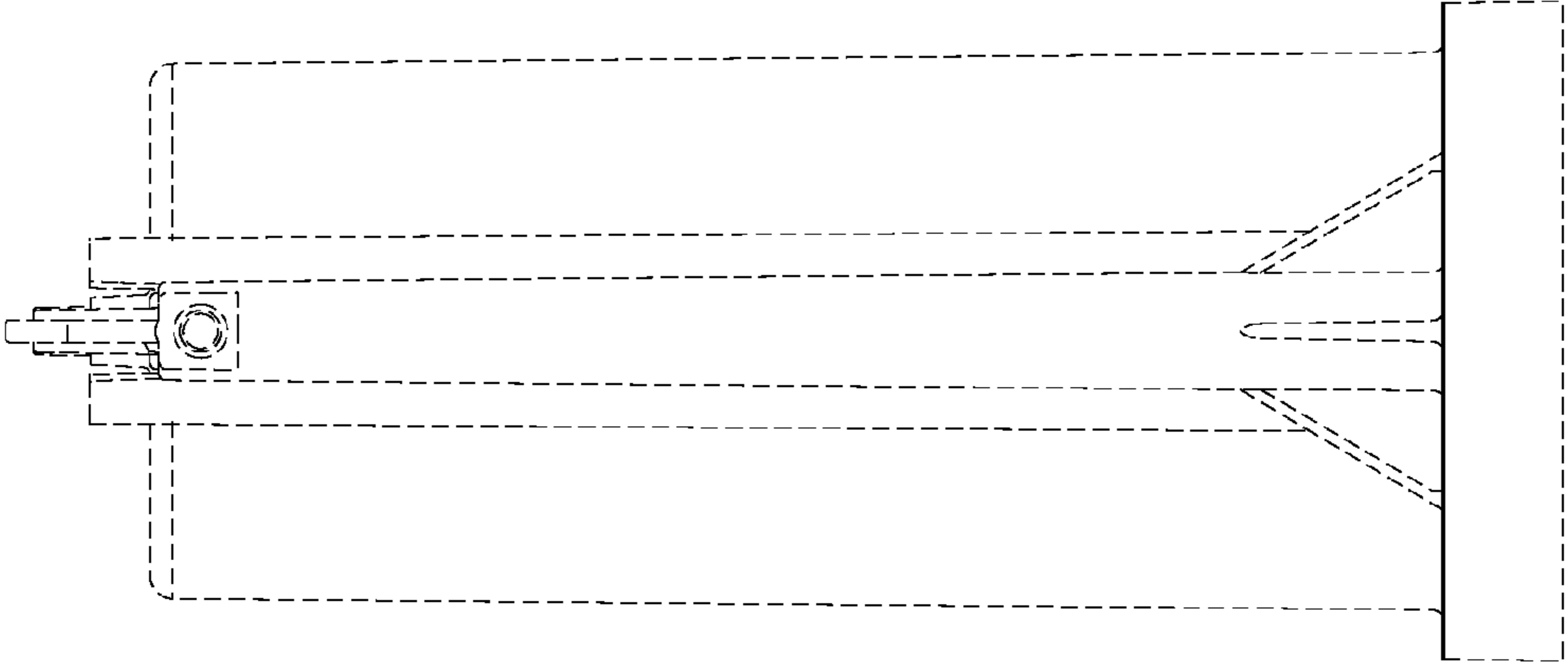
*Fig. 1*



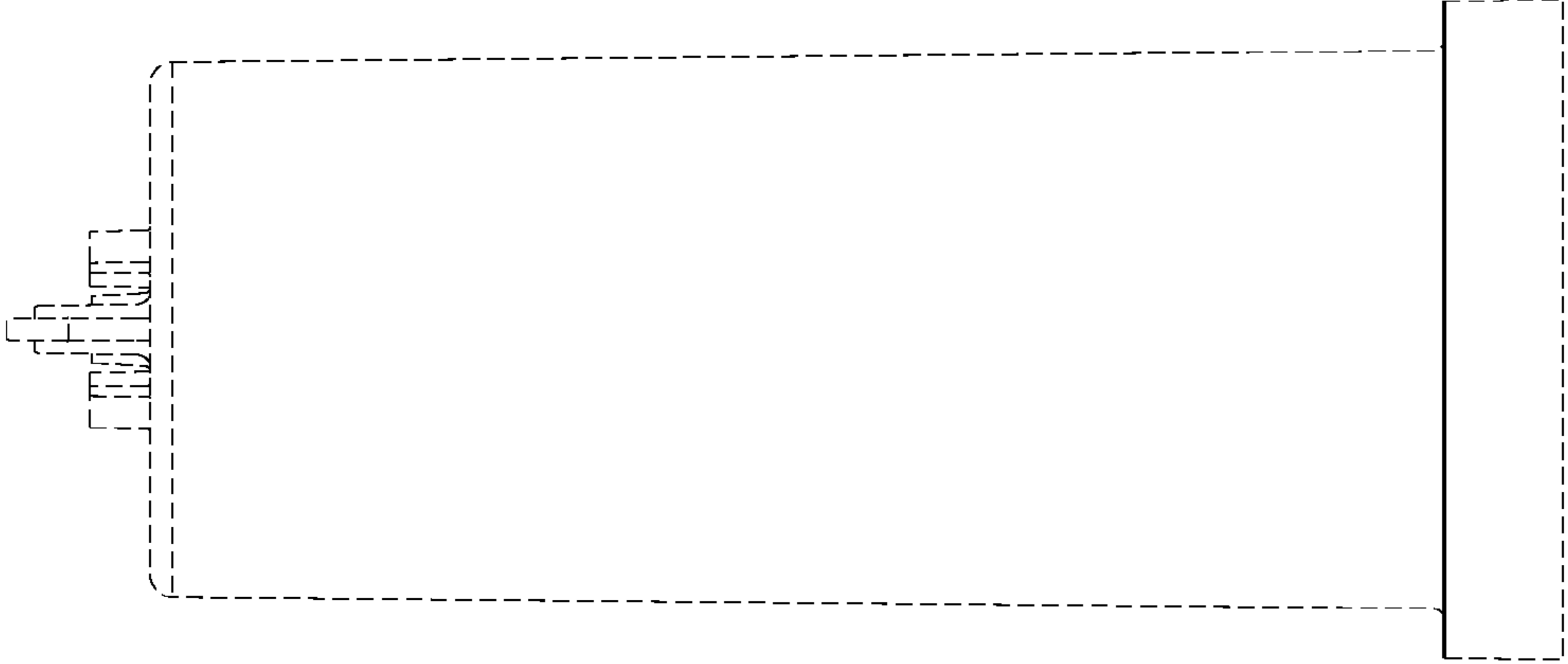
*Fig. 2*



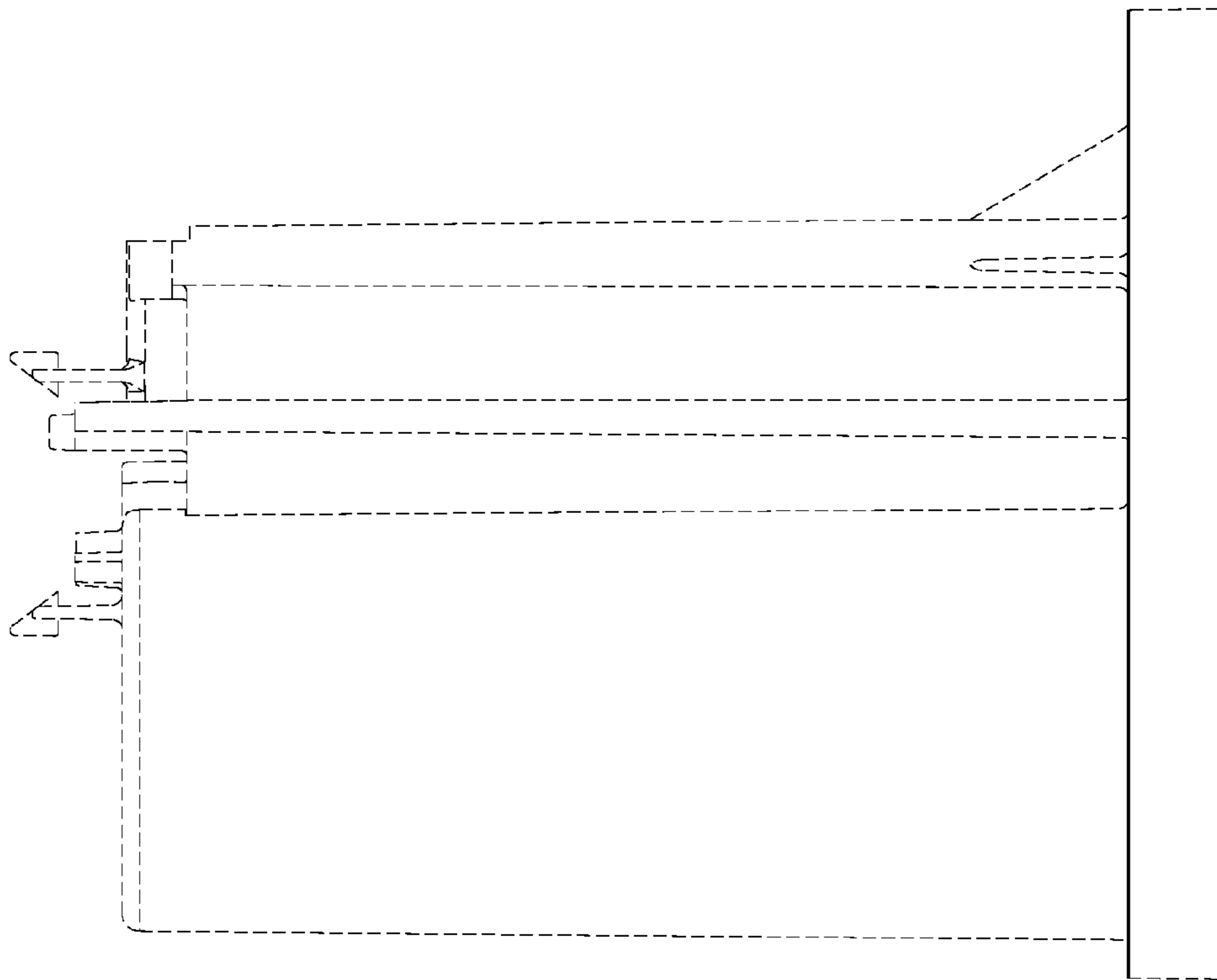
*Fig. 3*



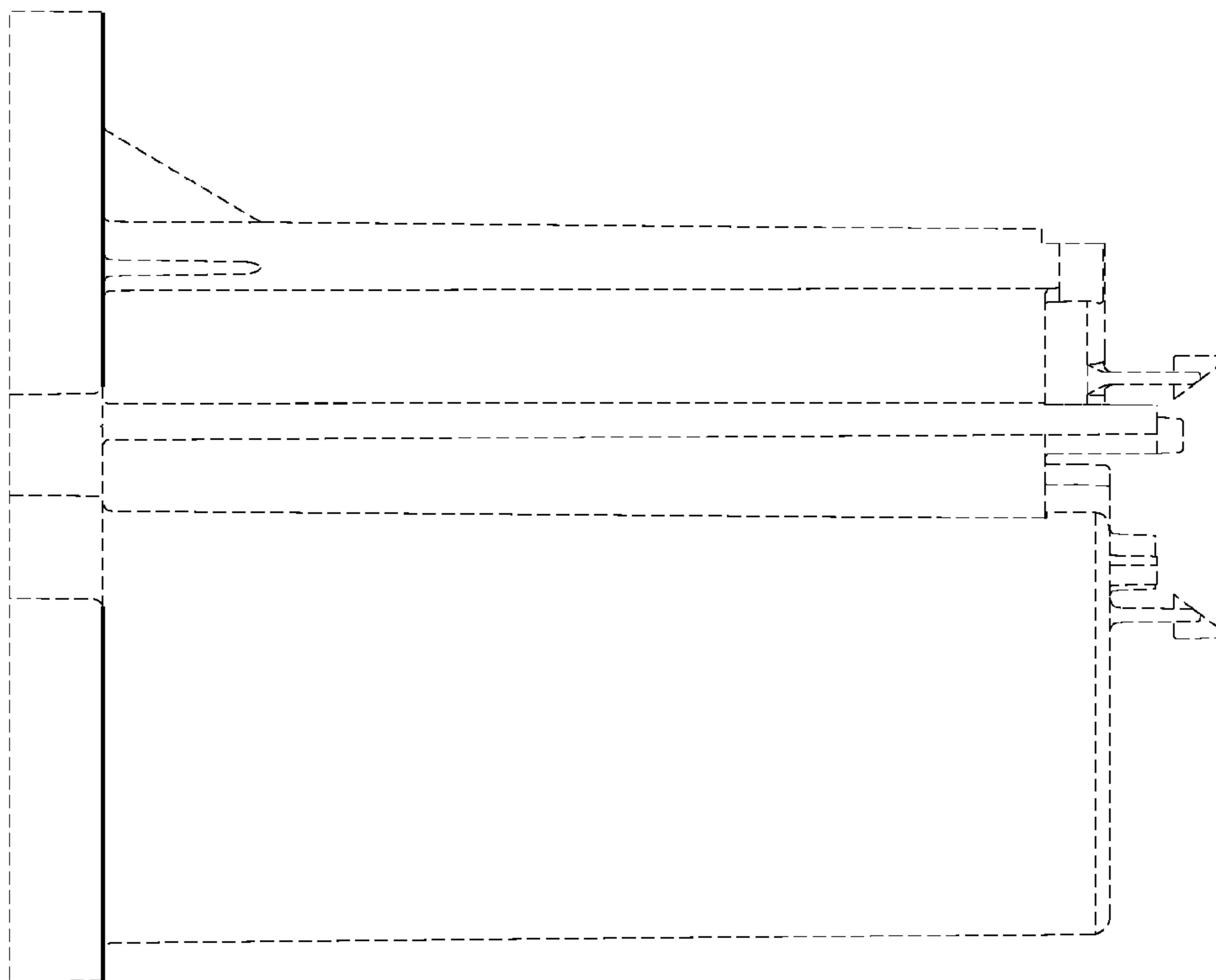
*Fig. 4*



*Fig. 5*



*Fig. 6*



*Fig. 7*