



US00D636496S

(12) **United States Design Patent**  
**Roehrig et al.**

(10) **Patent No.:** **US D636,496 S**

(45) **Date of Patent:** **\*\* Apr. 19, 2011**

(54) **MONO NECK PACIFIER**

(75) Inventors: **Peter Roehrig**, Vienna (AT); **Ernst Beranek**, Vienna (AT)

(73) Assignee: **Mam Babyartikel Gesellschaft m.b.H.**, Vienna (AT)

(\*\*) Term: **14 Years**

(21) Appl. No.: **29/370,388**

(22) Filed: **Jul. 8, 2010**

(30) **Foreign Application Priority Data**

Jan. 11, 2010 (EM) ..... 001655333-0001

(51) **LOC (9) Cl.** ..... **24-04**

(52) **U.S. Cl.** ..... **D24/194**

(58) **Field of Classification Search** ..... D24/193–196,  
D24/199; 606/234–236; 215/11.1–11.6  
See application file for complete search history.

(56) **References Cited**

**U.S. PATENT DOCUMENTS**

D285,839 S *	9/1986	Roehrig	.....	D24/194
5,653,731 A *	8/1997	Rohrig	.....	606/234
D441,083 S *	4/2001	Roehrig	.....	D24/194
D453,379 S *	2/2002	Roehrig	.....	D24/194
6,514,275 B2 *	2/2003	Rohrig	.....	606/234

D481,461 S *	10/2003	Roehrig	.....	D24/194
D548,847 S *	8/2007	Dunn et al.	.....	D24/194
D558,354 S *	12/2007	Roehrig	.....	D24/194
D609,816 S *	2/2010	Roehrig et al.	.....	D24/194
D612,945 S *	3/2010	Roehrig et al.	.....	D24/194
D626,653 S *	11/2010	Roehrig et al.	.....	D24/194

\* cited by examiner

*Primary Examiner* — Susan E Krakower

(74) *Attorney, Agent, or Firm* — Abelman, Frayne & Schwab

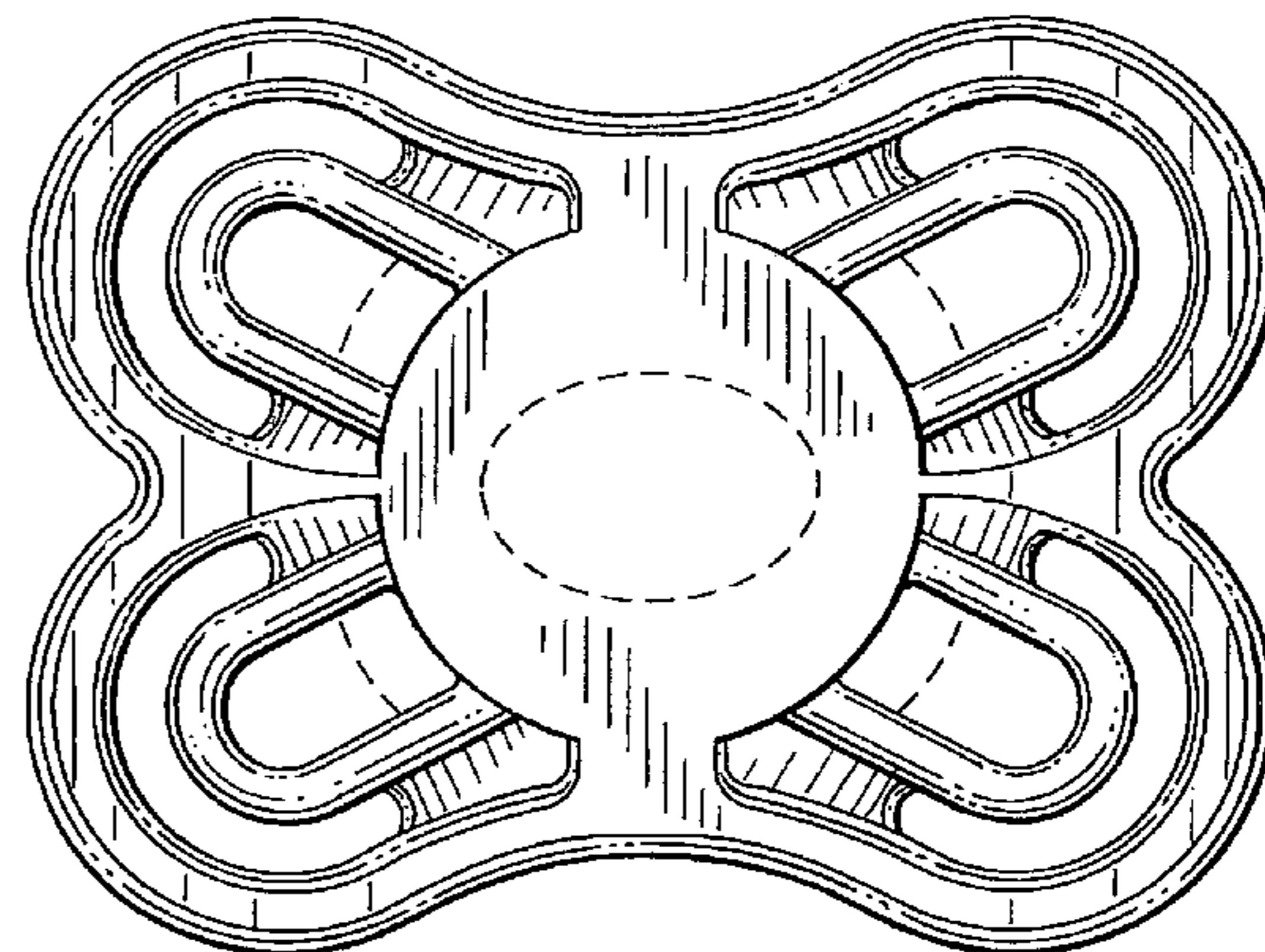
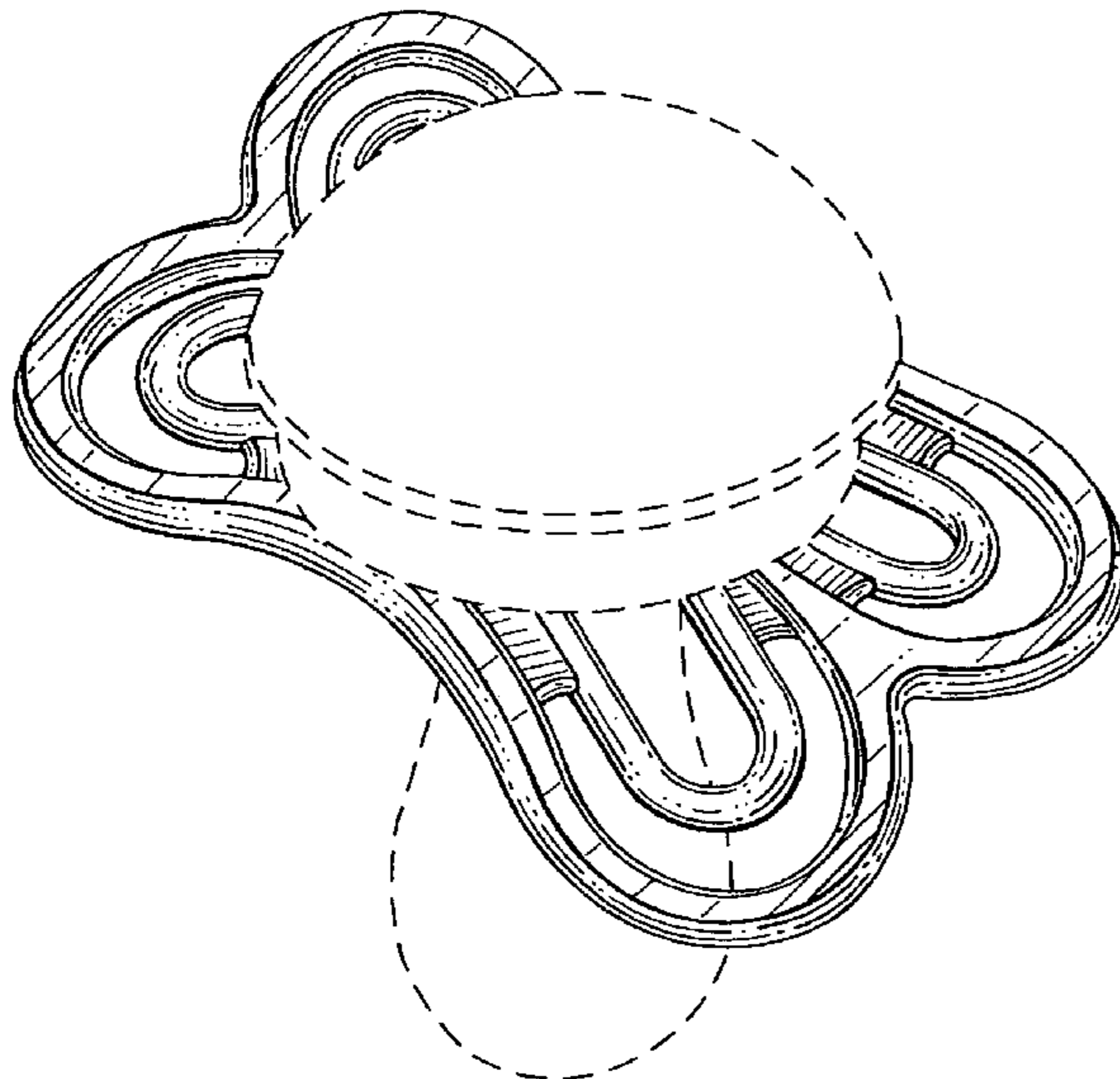
(57) **CLAIM**

The ornamental design of a mono neck pacifier, as shown and described.

**DESCRIPTION**

FIG. 1 is a top, front, right side perspective view of the mono neck pacifier showing our new design;  
FIG. 2 is a top plan view thereof;  
FIG. 3 is a front elevational view, the rear view being a mirror image thereof;  
FIG. 4 is a right side elevational view, the left side being a mirror image thereof; and,  
FIG. 5 is a bottom plan view thereof.  
The broken lines showing structural features are included for the purpose of illustrating non-claimed subject matter and form no part of the claimed design.

**1 Claim, 3 Drawing Sheets**



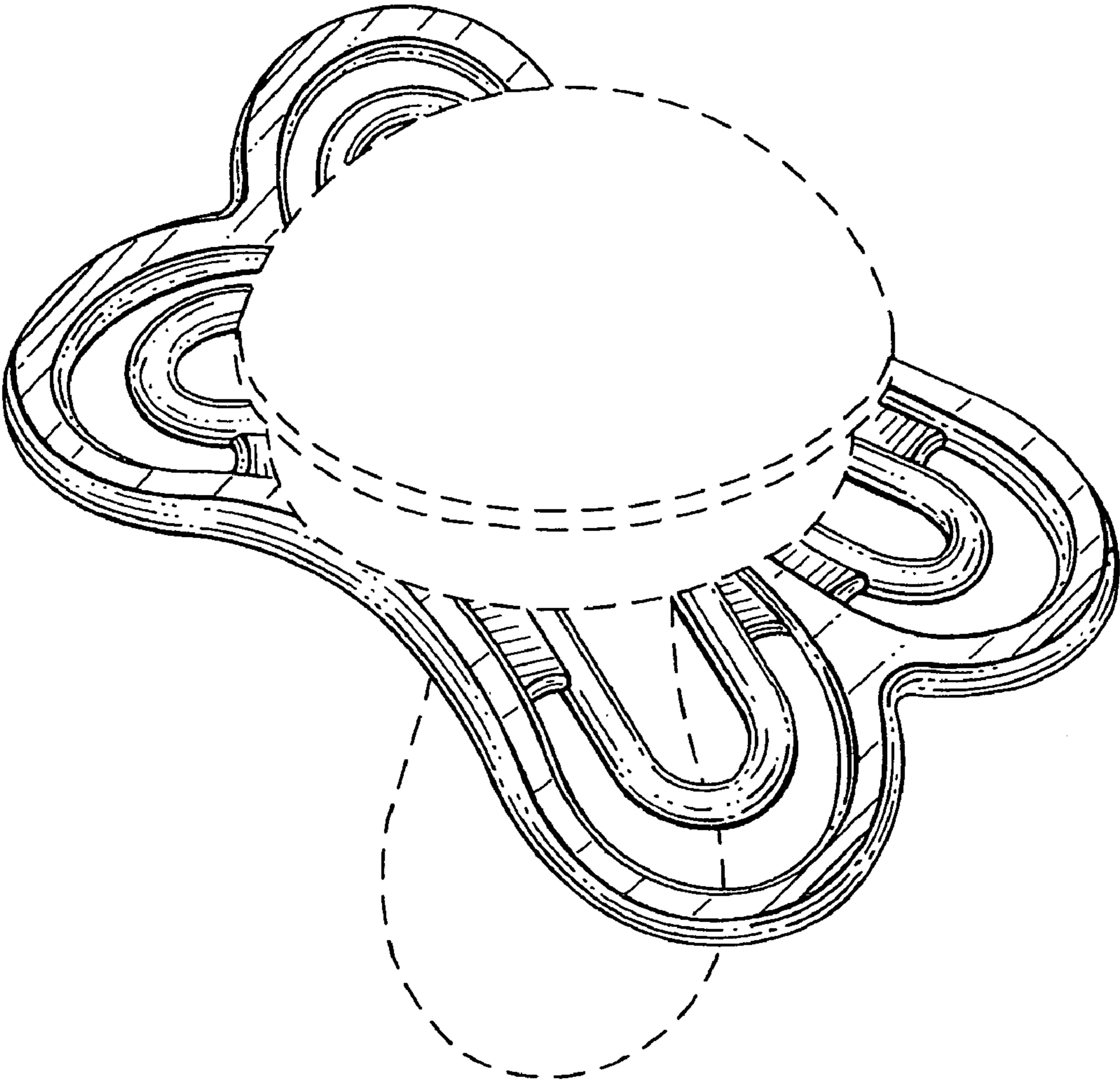


FIG. 1

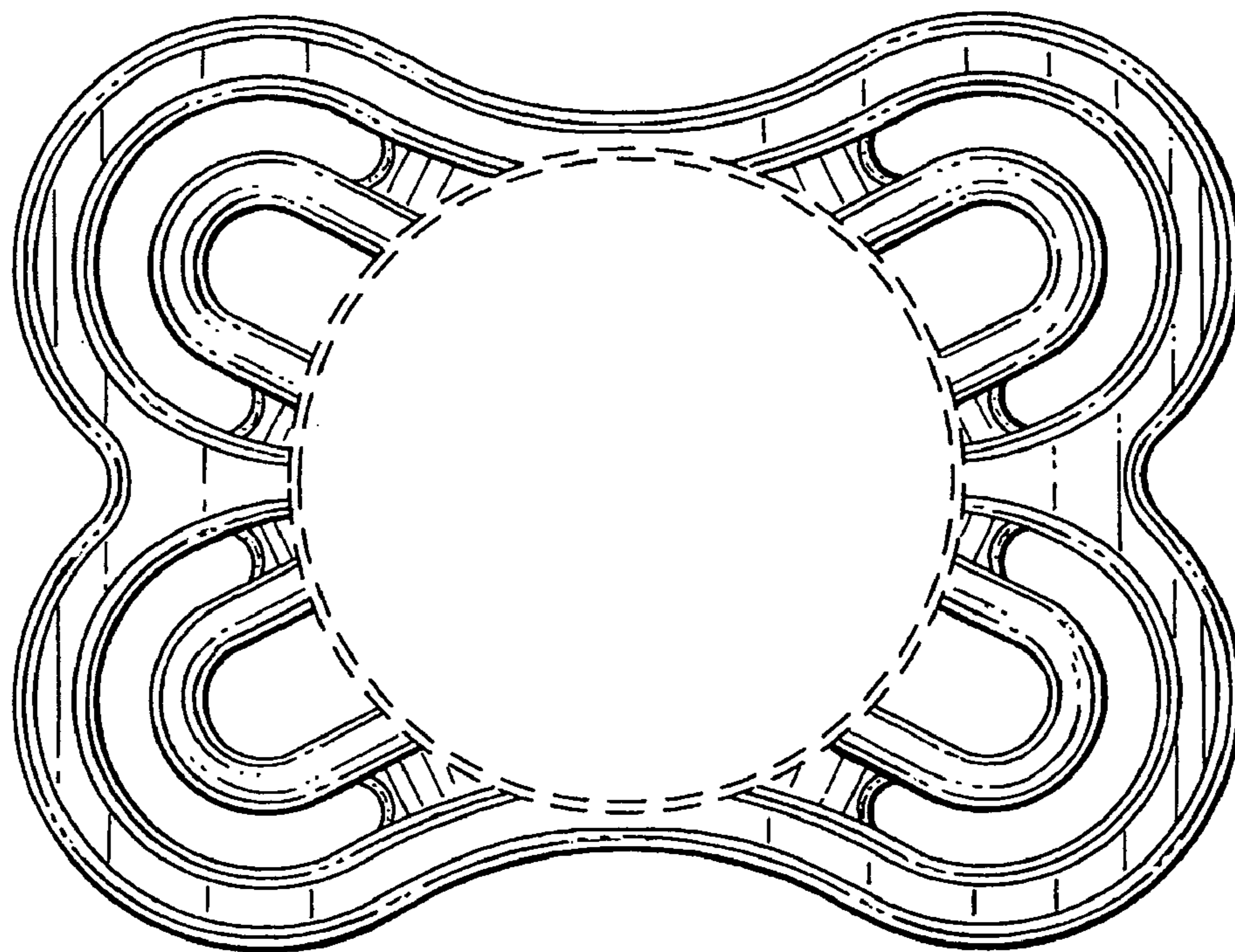


FIG. 2

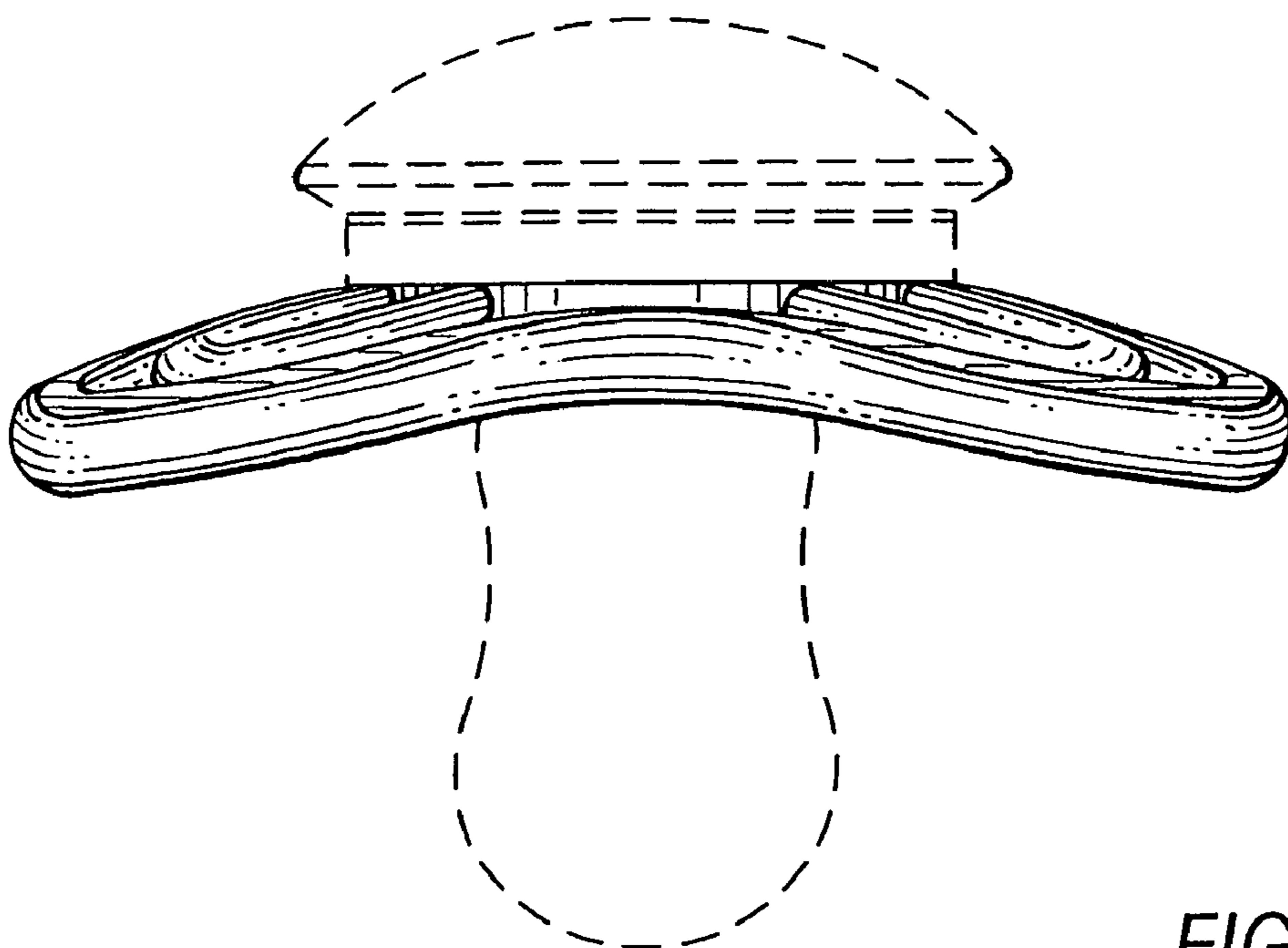


FIG. 3

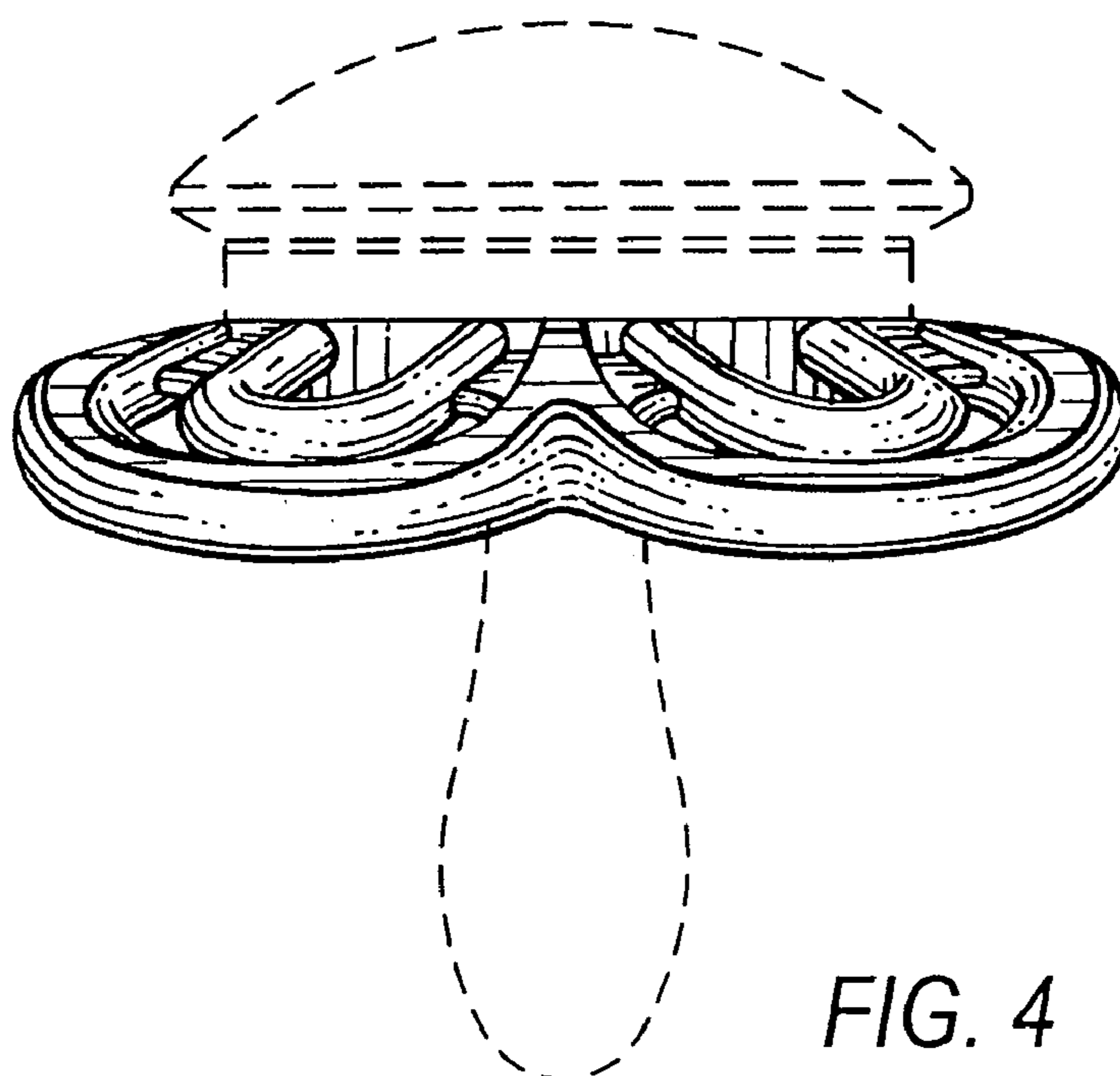


FIG. 4

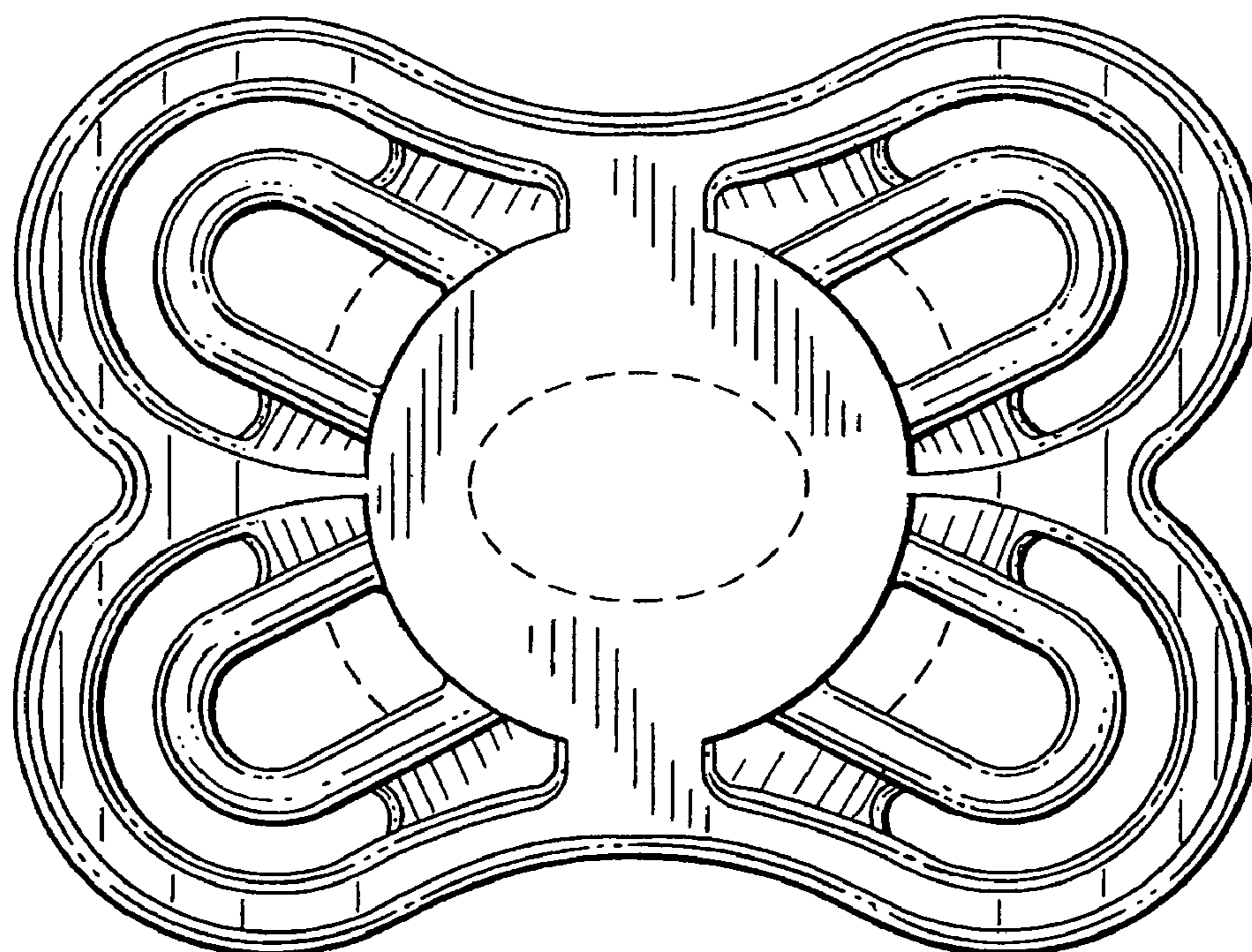


FIG. 5