



US00D636495S

(12) **United States Design Patent**
Pukall et al.

(10) **Patent No.:** **US D636,495 S**

(45) **Date of Patent:** **** Apr. 19, 2011**

(54) **PART FOR A FEEDING BOTTLE**

(75) Inventors: **Britta Pukall**, Wädenswil (CH);
Therese Naef, Wettingen (CH); **Mario Rigert**, Buchrain (CH); **Erich Pfenniger**, Ebikon (CH); **Timothy D. Killinger**, Woodstock, IL (US)

(73) Assignee: **Medela Holding AG**, Baar (CH)

(**) Term: **14 Years**

(21) Appl. No.: **29/345,501**

(22) Filed: **Oct. 16, 2009**

(30) **Foreign Application Priority Data**

Apr. 24, 2009 (WO) DM/071 748

(51) **LOC (9) Cl.** **24-04**

(52) **U.S. Cl.** **D24/193**

(58) **Field of Classification Search** D24/193,
D24/196-197; D9/434-436, 446-447;
215/11.1-11.6, 392; 606/234-236; D7/376
See application file for complete search history.

(56) **References Cited**

U.S. PATENT DOCUMENTS

1,099,082	A *	6/1914	Decker	215/11.1
1,733,184	A *	10/1929	Decker	215/11.1
D102,161	S *	12/1936	England	D9/447
D217,085	S *	4/1970	Zenger et al.	D9/447
D264,380	S *	5/1982	Chrones	D24/196
D269,906	S *	7/1983	Cerasari	D24/197
D309,948	S *	8/1990	Chambers	D24/197
5,277,324	A *	1/1994	Cash	215/392
5,353,964	A *	10/1994	Liu et al.	222/134
5,653,732	A *	8/1997	Sheehy	606/236
5,673,806	A *	10/1997	Busnel	215/11.1
5,791,503	A *	8/1998	Lyons	215/11.5
D399,004	S *	9/1998	Johansen et al.	D24/193
D405,530	S *	2/1999	Manganiello et al.	D24/196
6,003,698	A *	12/1999	Morano	215/11.1

D421,306	S *	2/2000	Meyers et al.	D24/197
D451,199	S *	11/2001	Atkin et al.	D24/197
D465,028	S	10/2002	Renz		
D479,606	S	9/2003	Randolph		
D498,849	S	11/2004	Randolph et al.		
D504,723	S	5/2005	Randolph et al.		
D504,724	S	5/2005	Randolph et al.		
D504,725	S	5/2005	Randolph et al.		

(Continued)

FOREIGN PATENT DOCUMENTS

JP D1245068 7/2005

(Continued)

OTHER PUBLICATIONS

RCD Online—Design consultation service—Teats for feeding bottles, printed on Aug. 10, 2009.

(Continued)

Primary Examiner — Susan E Krakower

(74) *Attorney, Agent, or Firm* — McDonnell Boehnen Hulbert & Berghoff LLP

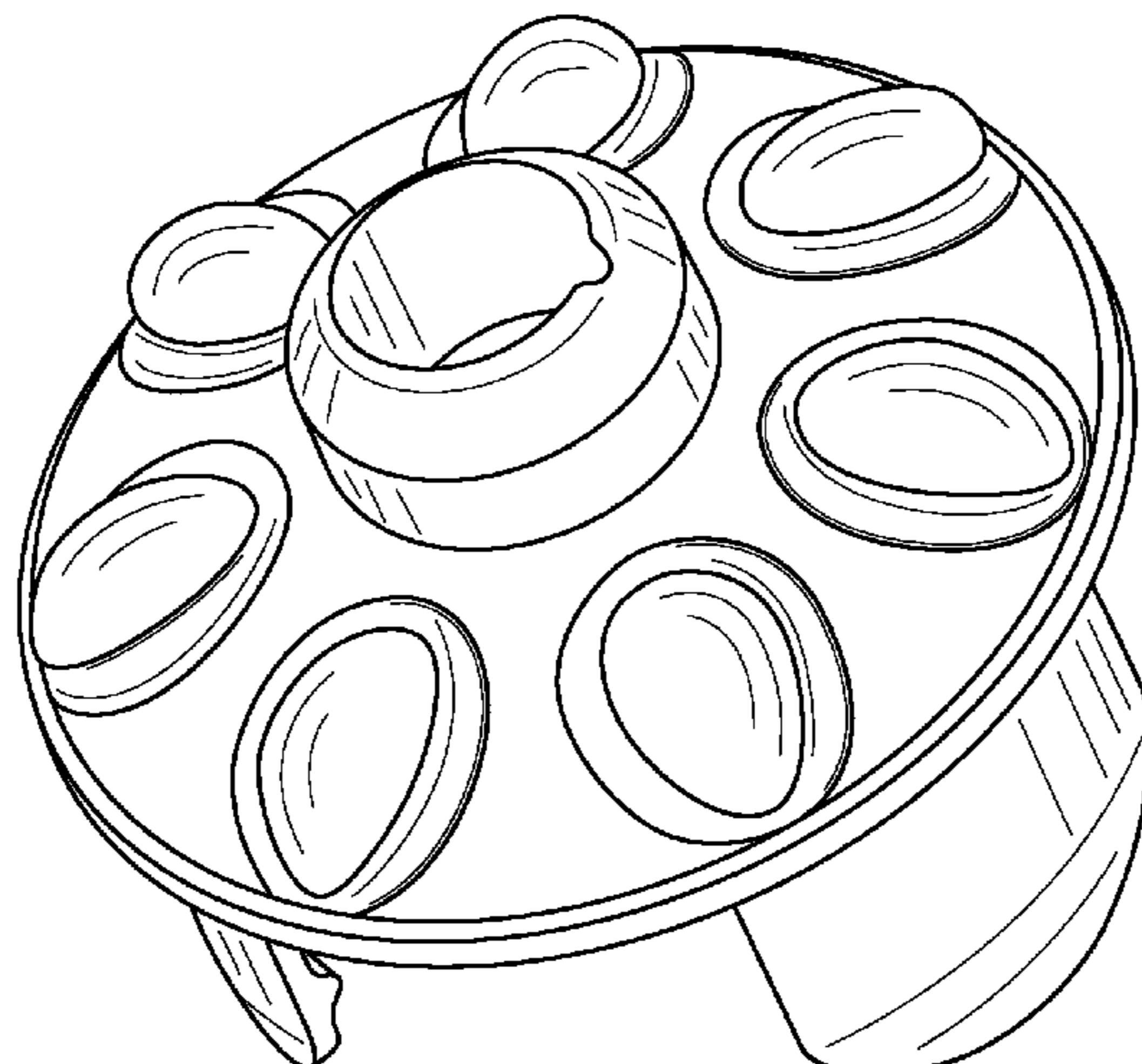
(57) **CLAIM**

The ornamental design for part for a feeding bottle, as shown and described.

DESCRIPTION

FIG. 1 is a part of a teat unit of a feeding bottle in a perspective view;
FIG. 2 is a side view thereof;
FIG. 3 is a different side view thereof;
FIG. 4 is a different side view thereof;
FIG. 5 is a different side view thereof;
FIG. 6 is a top view thereof; and,
FIG. 7 is a bottom view thereof.
The broken lines illustrate portions of the drawings that form no part of the claimed design.

1 Claim, 7 Drawing Sheets



US D636,495 S

Page 2

U.S. PATENT DOCUMENTS

7,036,975 B2 * 5/2006 Renz 366/130
D551,899 S * 10/2007 Roehrig D7/376
D564,665 S 3/2008 Kim
D589,153 S 3/2009 Rosales
D595,417 S * 6/2009 Driver et al. D24/197
D599,481 S * 9/2009 Drummond D24/197
D599,482 S * 9/2009 Drummond D24/197

FOREIGN PATENT DOCUMENTS

JP D1245274 7/2005
JP D1387051 5/2010

KR 3002840120000 9/2001
KR 3003336590000 9/2003
KR 3004153200000 5/2006
KR 3004153200001 5/2006
TW D126744 1/2009

OTHER PUBLICATIONS

Search Report for corresponding Taiwanese design application No.
TW 98304765.

* cited by examiner

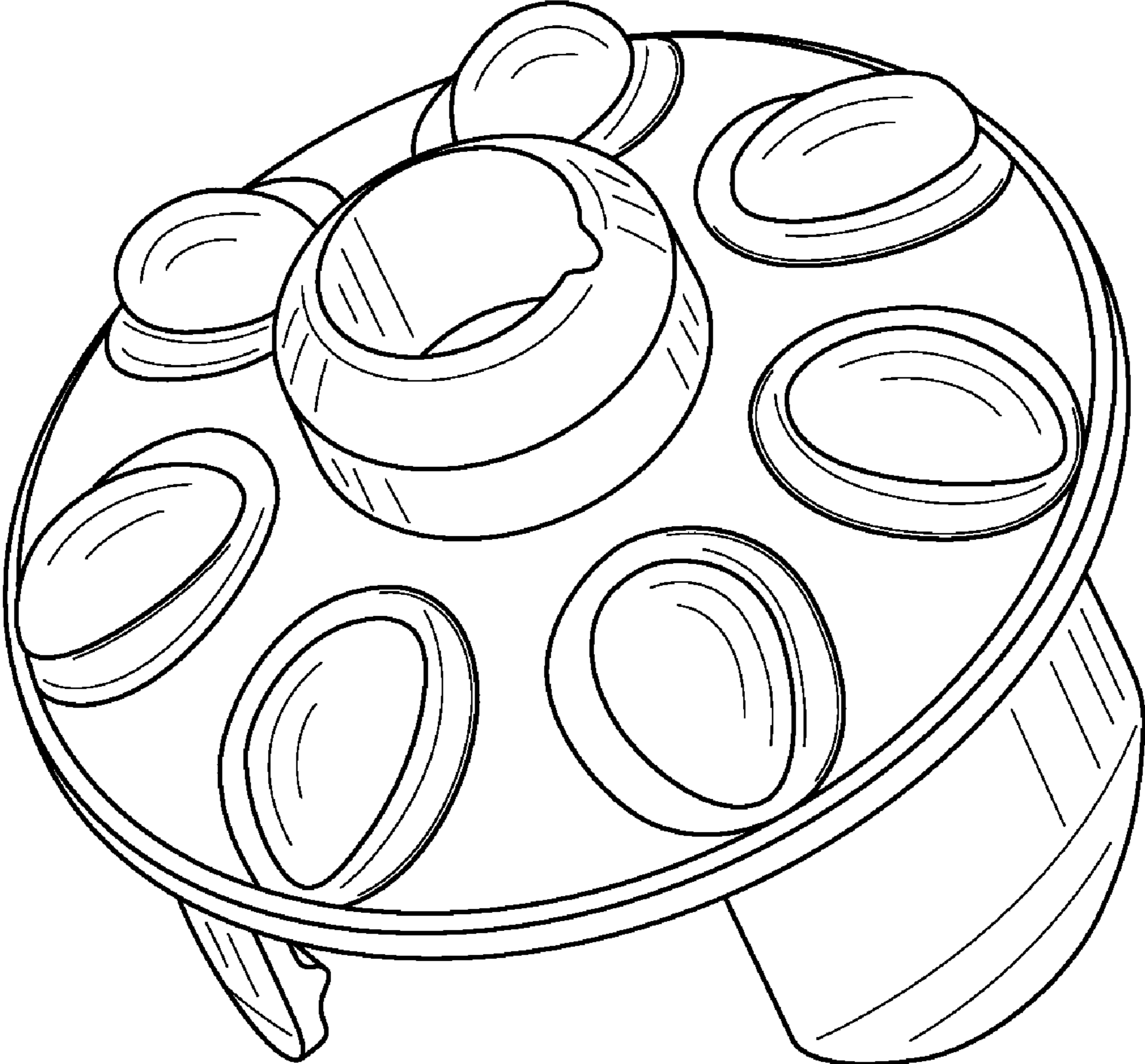


FIG. 1

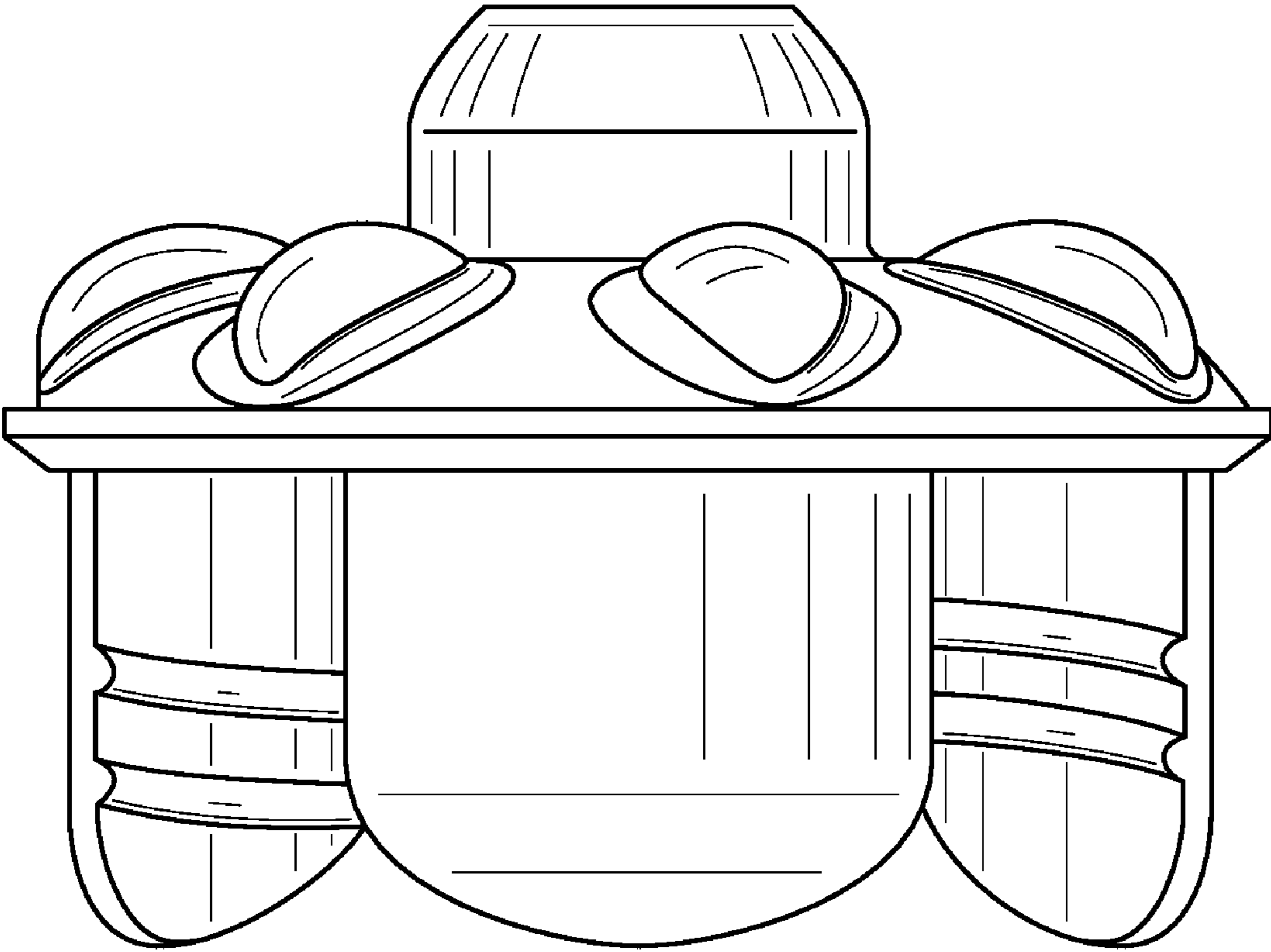


FIG. 2

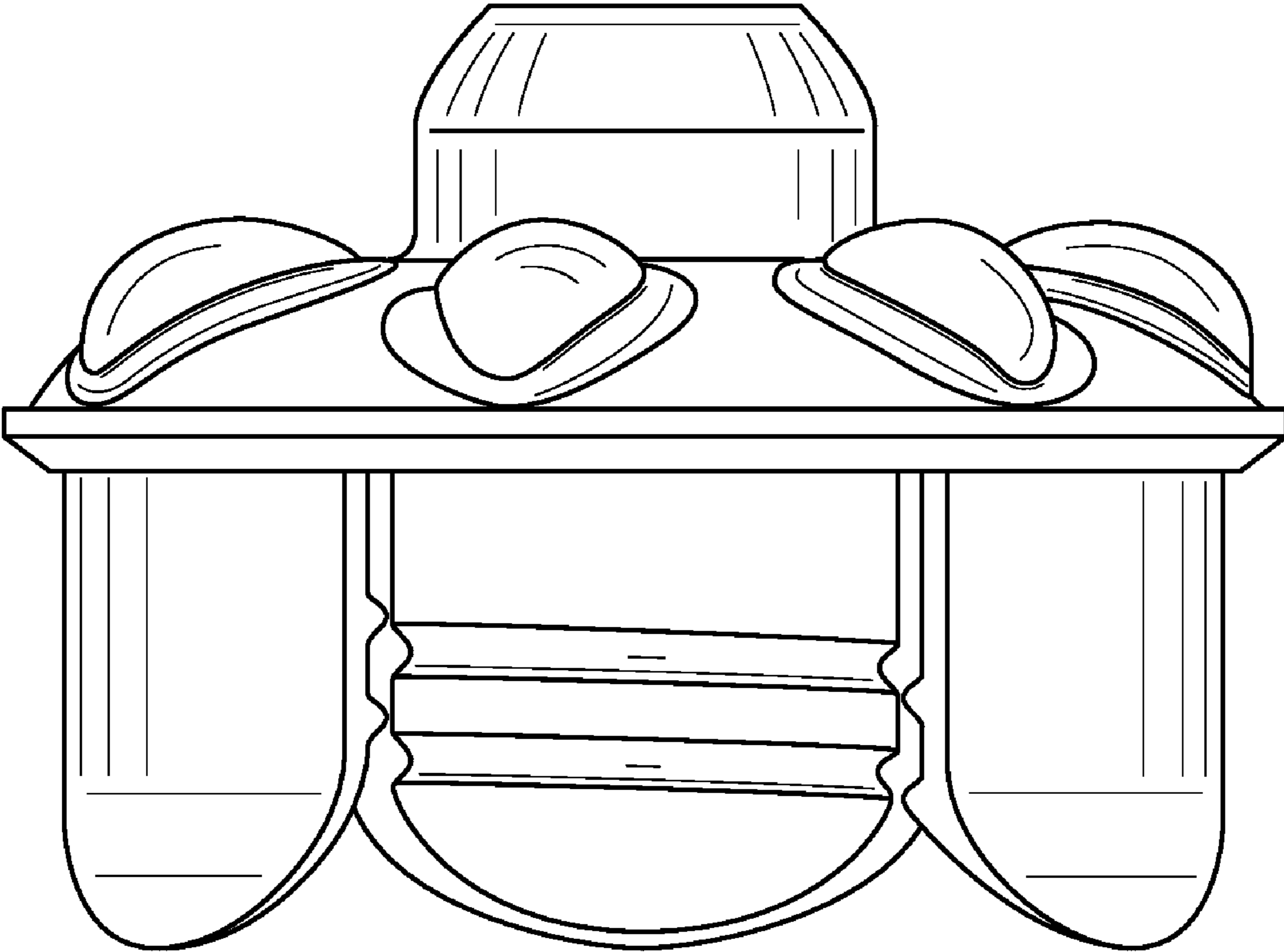


FIG. 3

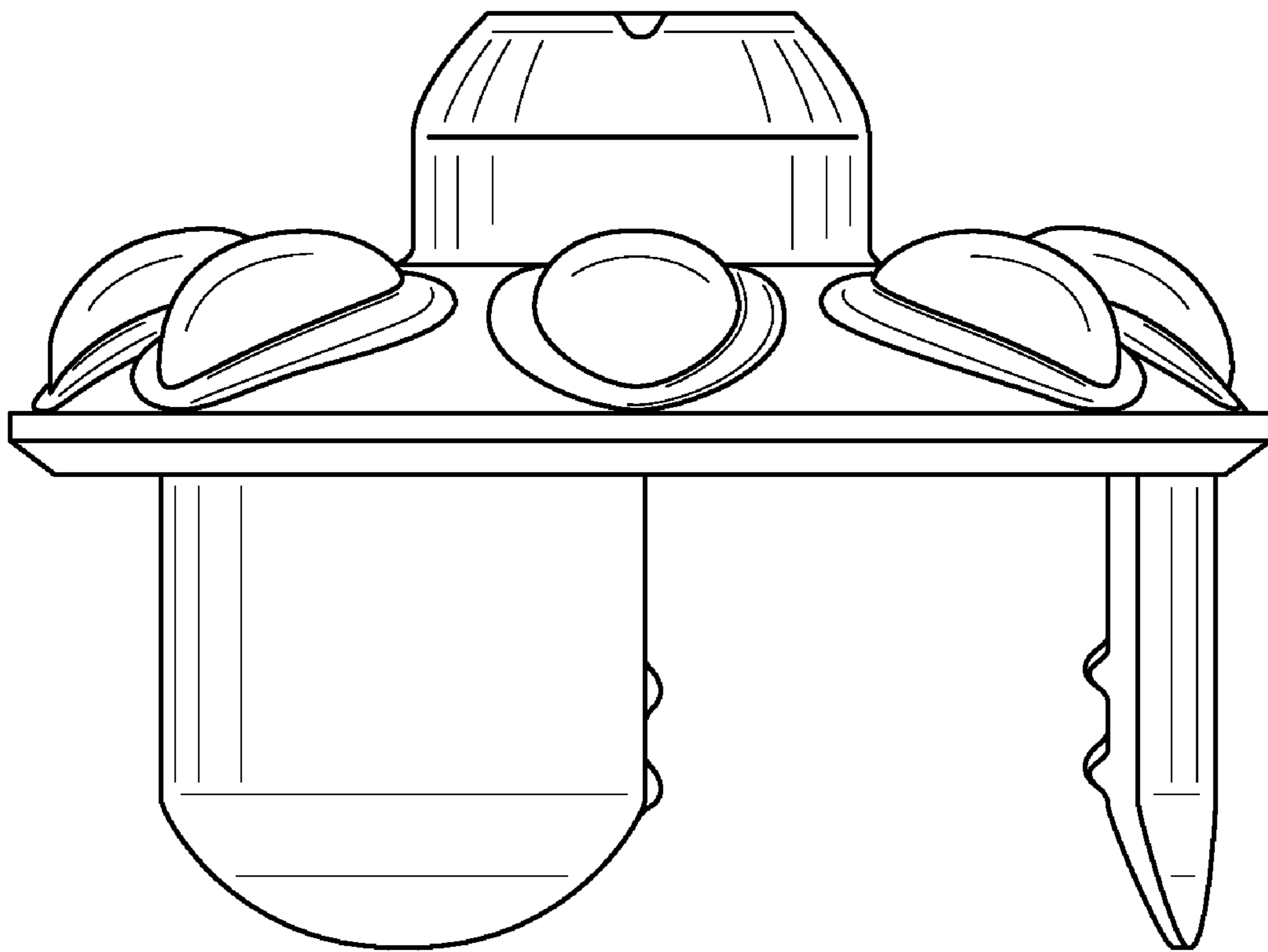


FIG. 4

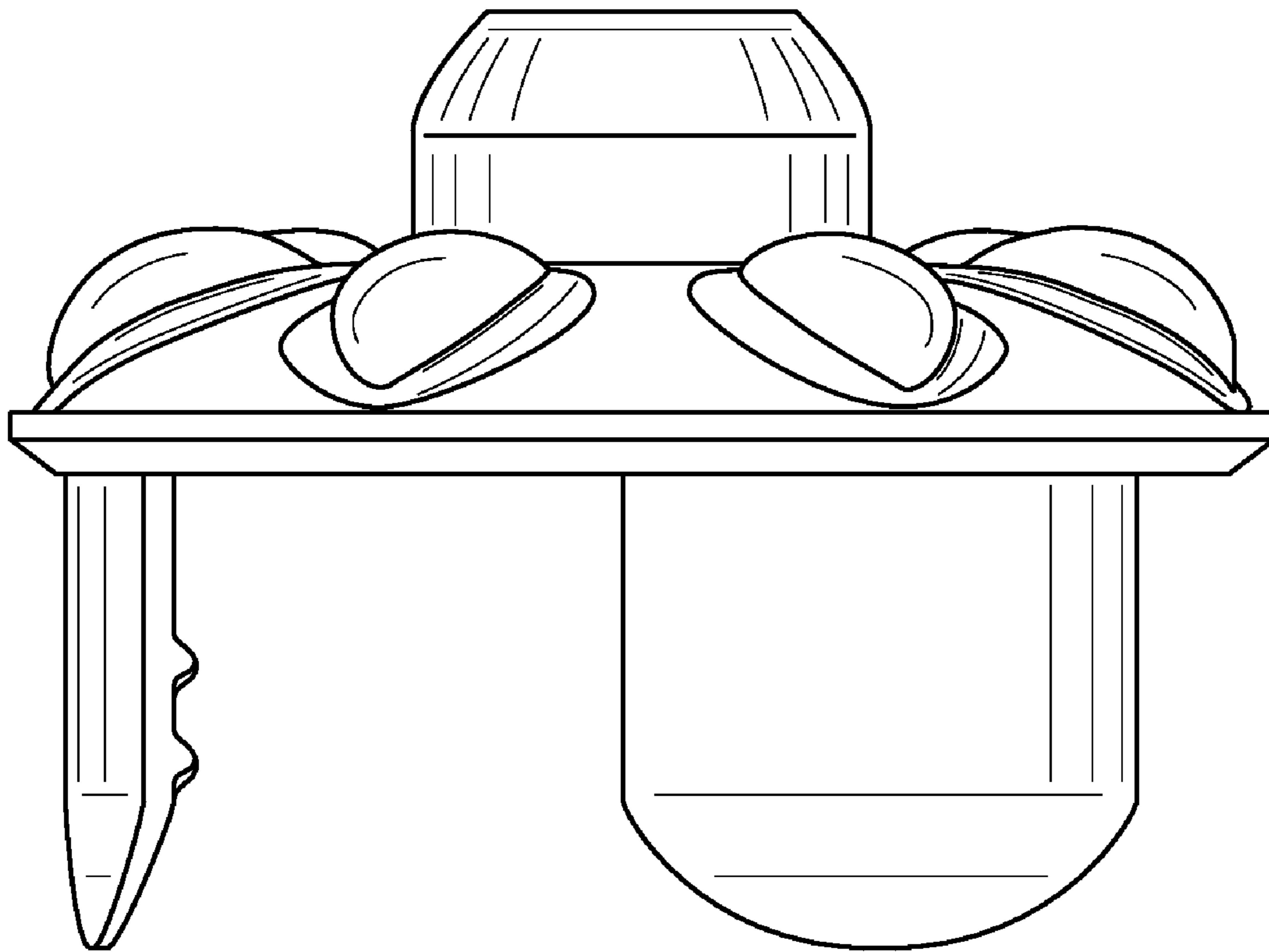


FIG. 5

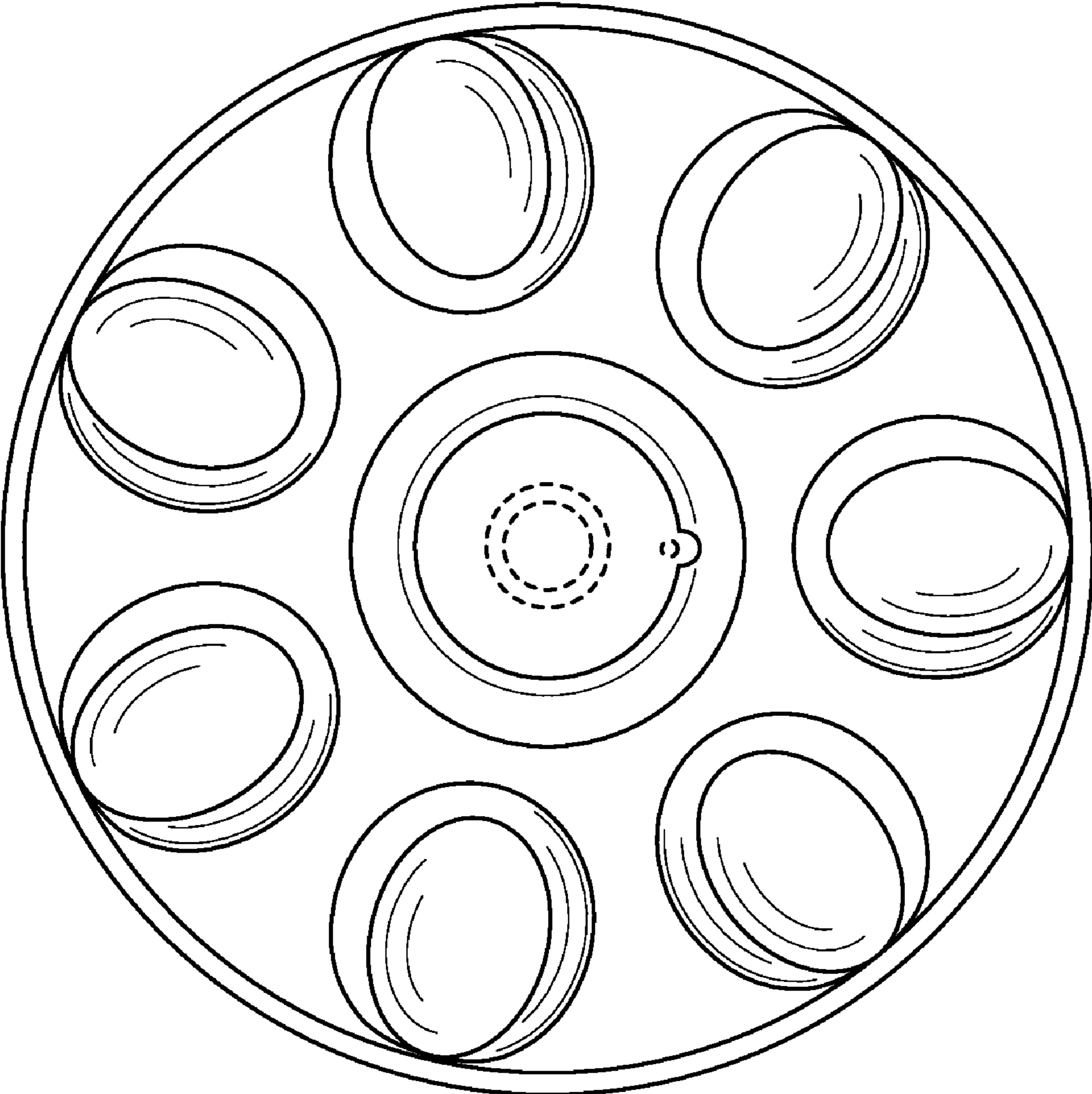


FIG. 6

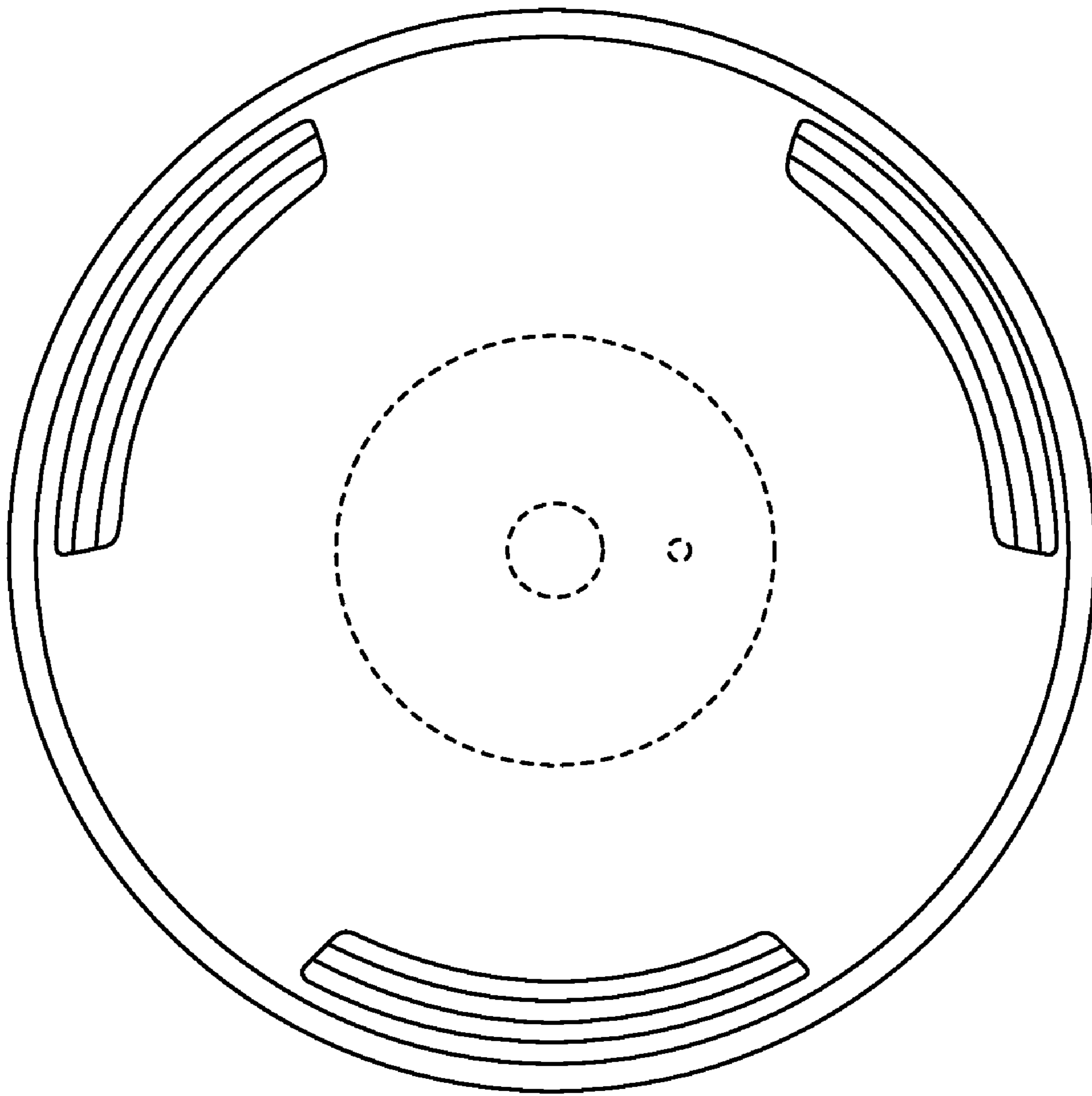


FIG. 7