



US00D636493S

(12) **United States Design Patent**
Teufel

(10) **Patent No.:** **US D636,493 S**

(45) **Date of Patent:** **** Apr. 19, 2011**

(54) **THERAPY TABLE**

(75) Inventor: **Rainer Teufel**, Columbus, OH (US)

(73) Assignee: **Encore Medical Asset Corporation**,
Henderson, NV (US)

(**) Term: **14 Years**

(21) Appl. No.: **29/312,758**

(22) Filed: **Nov. 12, 2008**

(51) **LOC (9) Cl.** **24-01**

(52) **U.S. Cl.** **D24/183**

(58) **Field of Classification Search** D24/183–185,
D24/188, 291; 5/600–603, 606, 613, 617–621,
5/623, 624, 649; 108/1, 8, 36; 312/209;
601/24, 98, 146; 606/240–242

See application file for complete search history.

(56) **References Cited**

U.S. PATENT DOCUMENTS

6,276,012 B2 * 8/2001 Borders 5/622
6,684,426 B1 * 2/2004 Lin et al. 5/620
7,103,932 B1 * 9/2006 Kandora 5/613

D583,953 S * 12/2008 Genelli D24/183
D583,954 S * 12/2008 Genelli D24/183
2009/0199339 A1 * 8/2009 Barr 5/602

* cited by examiner

Primary Examiner — Mary Ann Calabrese

(74) *Attorney, Agent, or Firm* — Ropes & Gray LLP

(57) **CLAIM**

The ornamental design for a therapy table, as shown and described.

DESCRIPTION

FIG. 1 is a perspective view of the therapy table of my new design.

FIG. 2 is a front view of the therapy table of my new design.

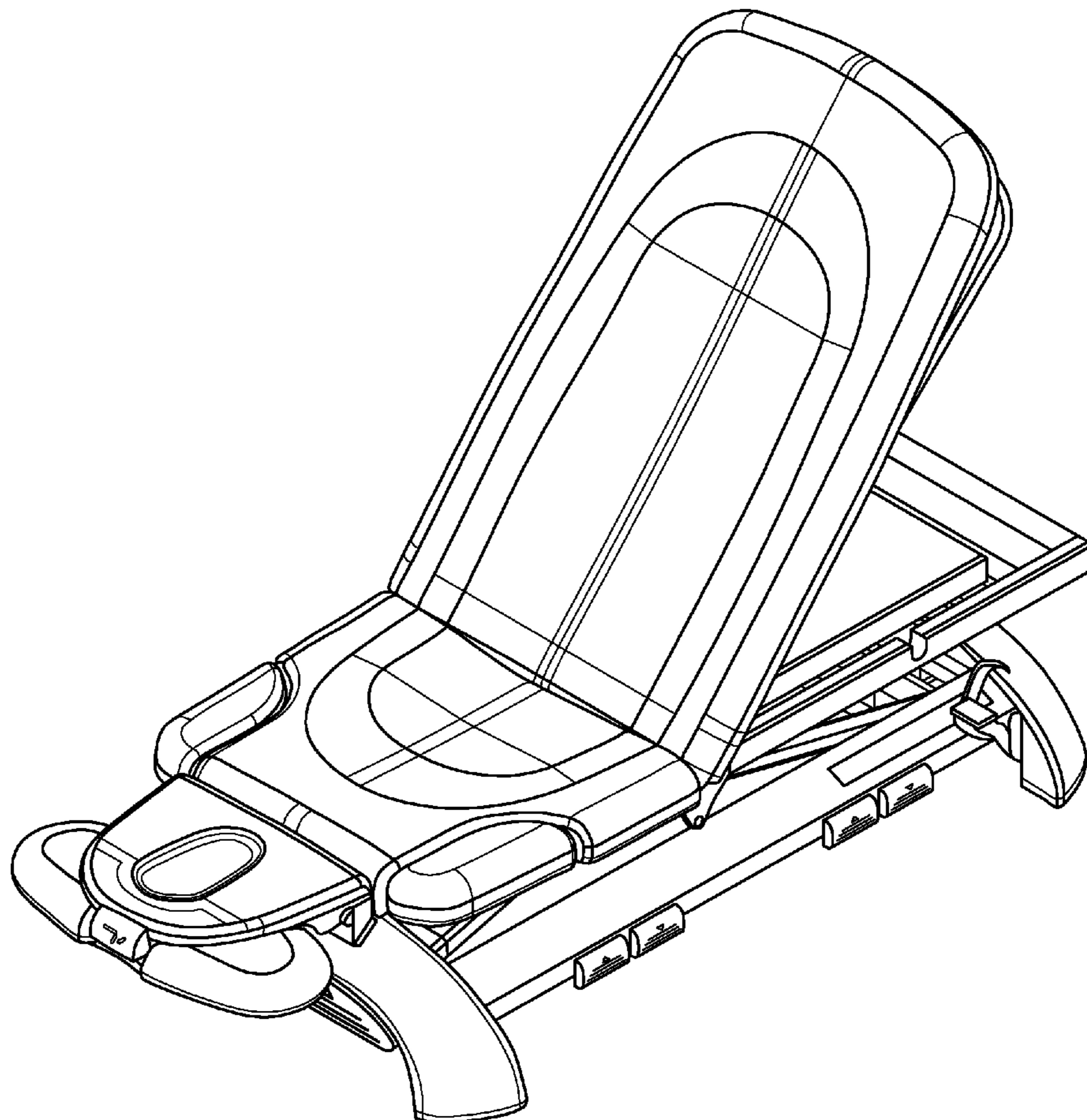
FIG. 3 is a reduced scale right side view of the therapy table of my new design.

FIG. 4 is a left side view of the therapy table of my new design.

FIG. 5 is a rear view of the therapy table of my new design; and,

FIG. 6 is a reduced scale top view of the therapy table of my new design.

1 Claim, 6 Drawing Sheets



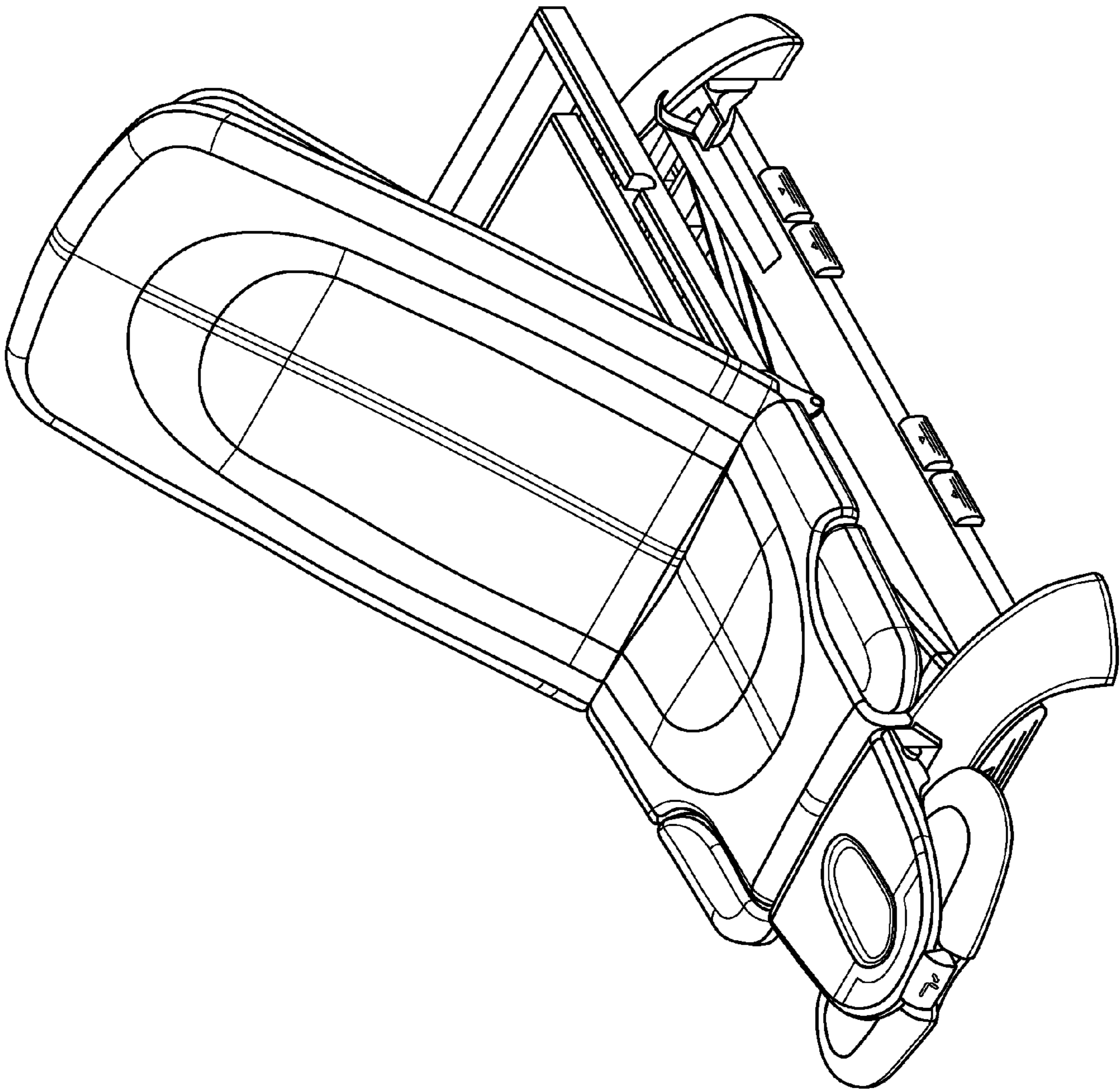


FIGURE 1

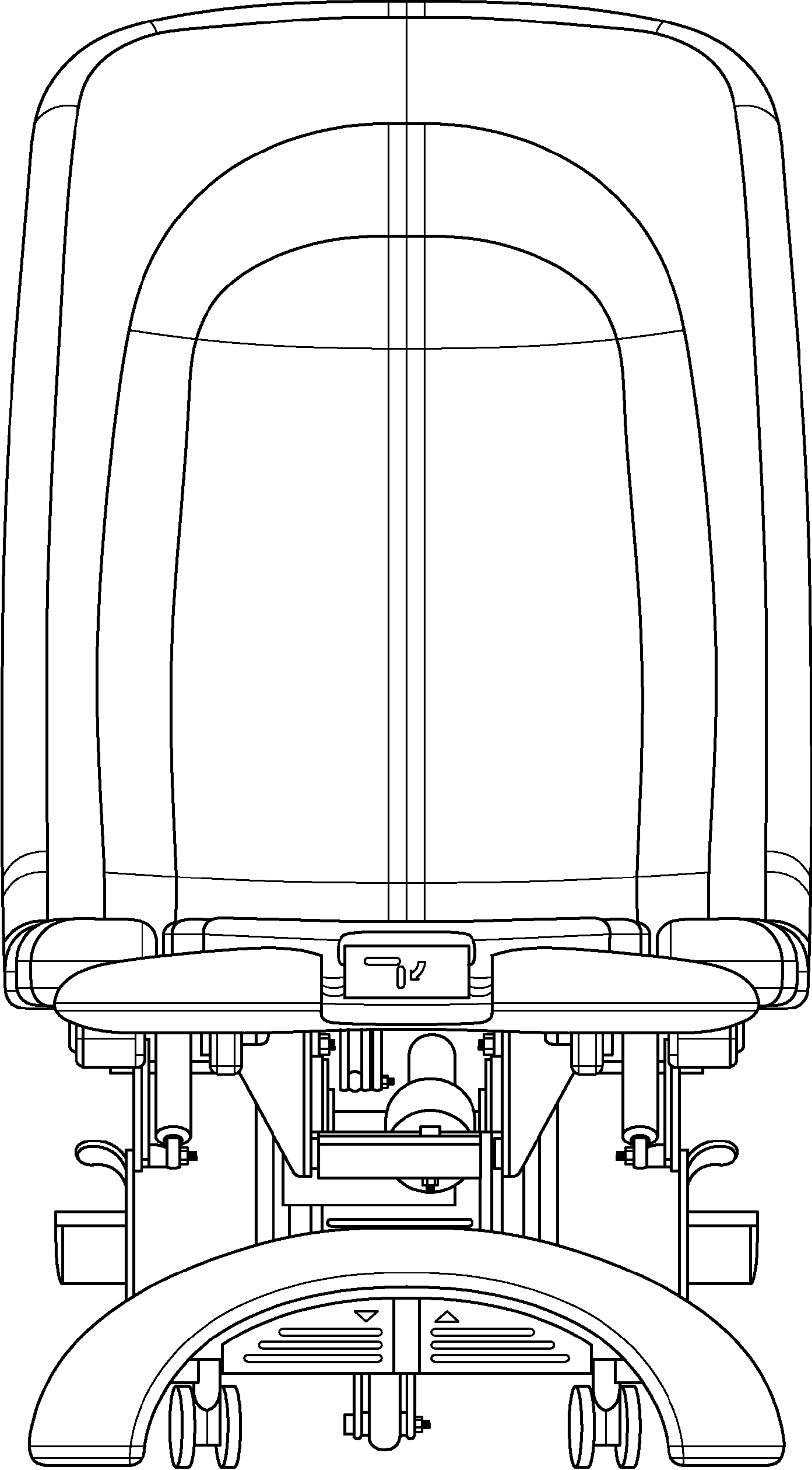


FIGURE 2

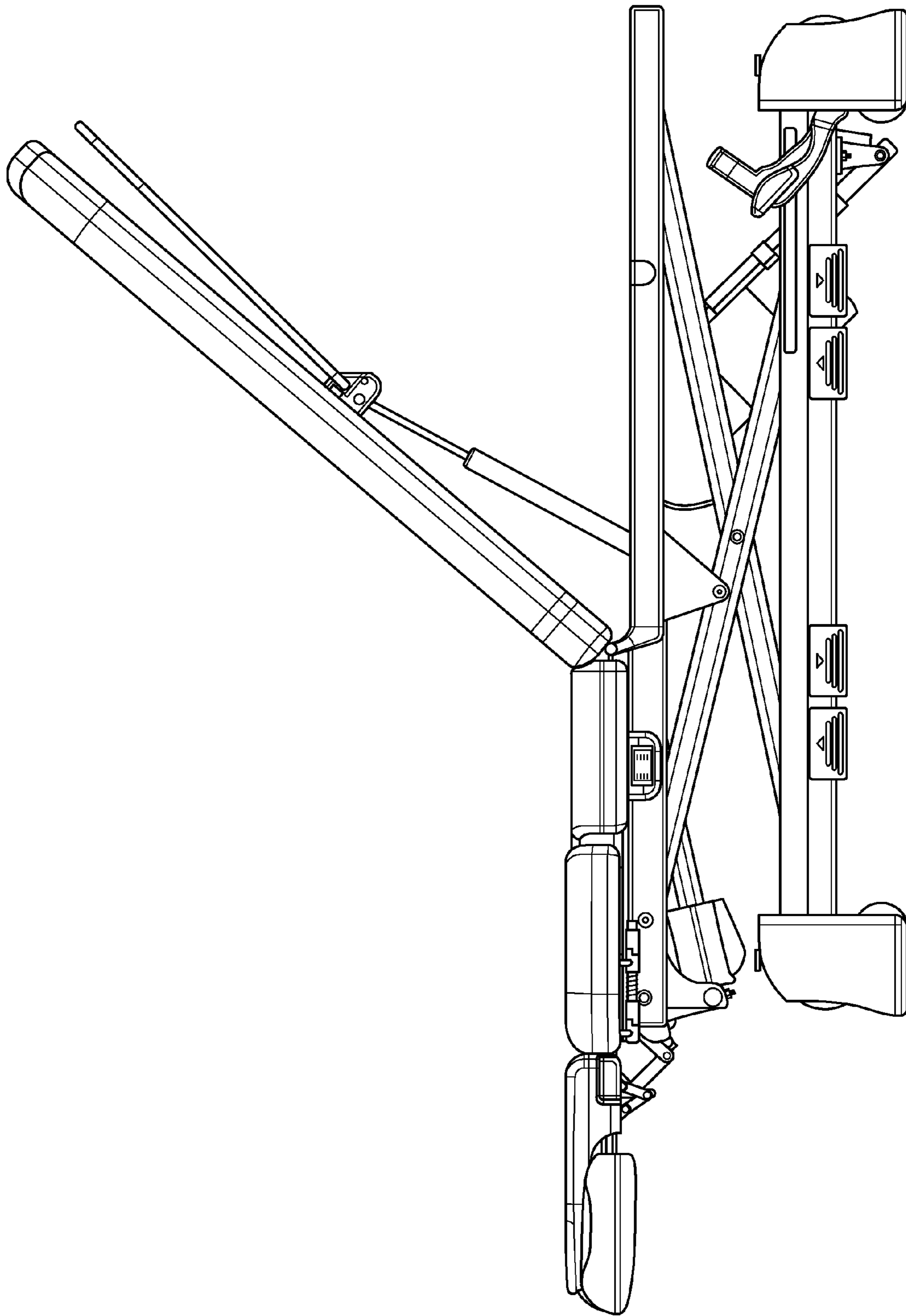


FIGURE 3

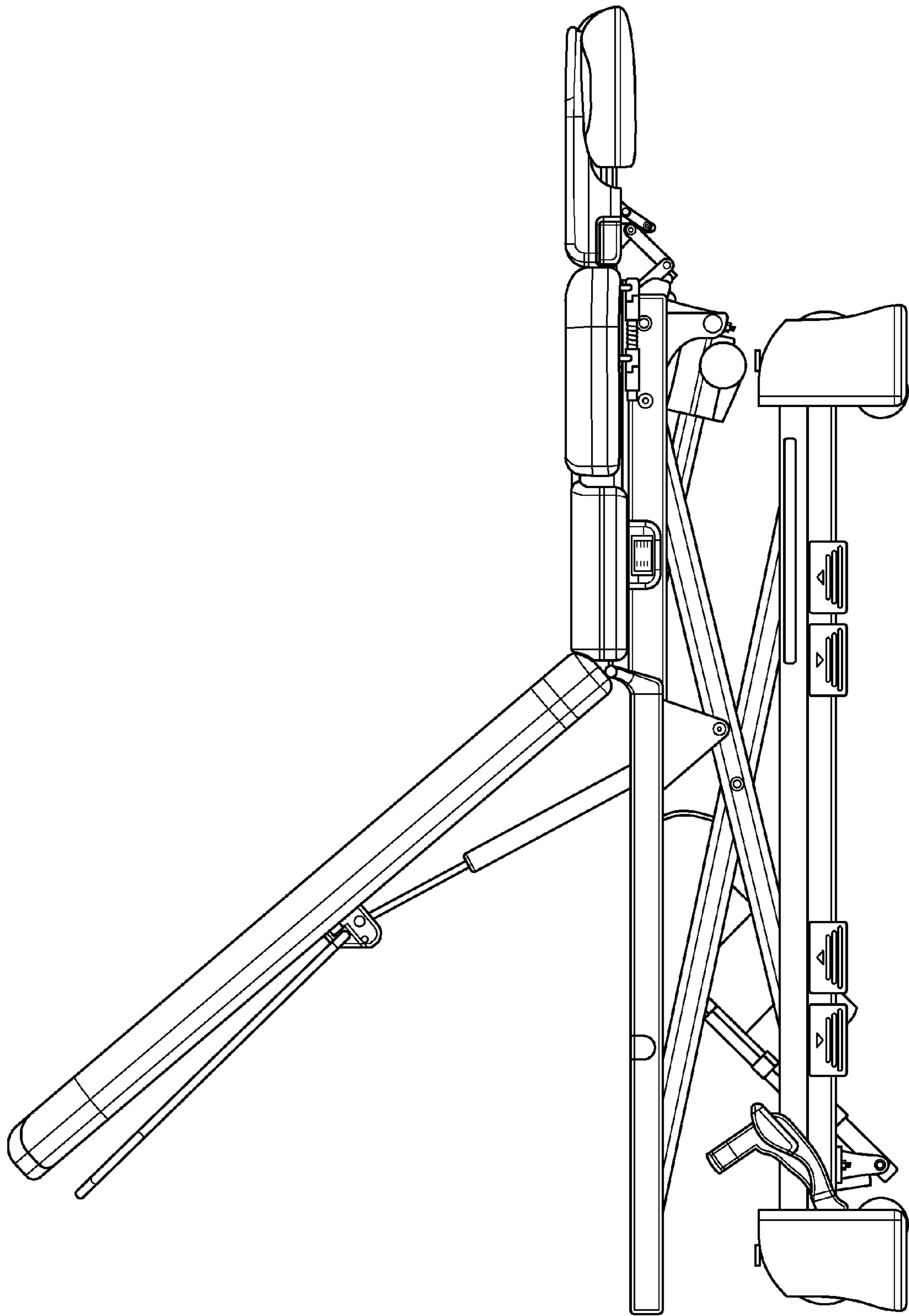


FIGURE 4

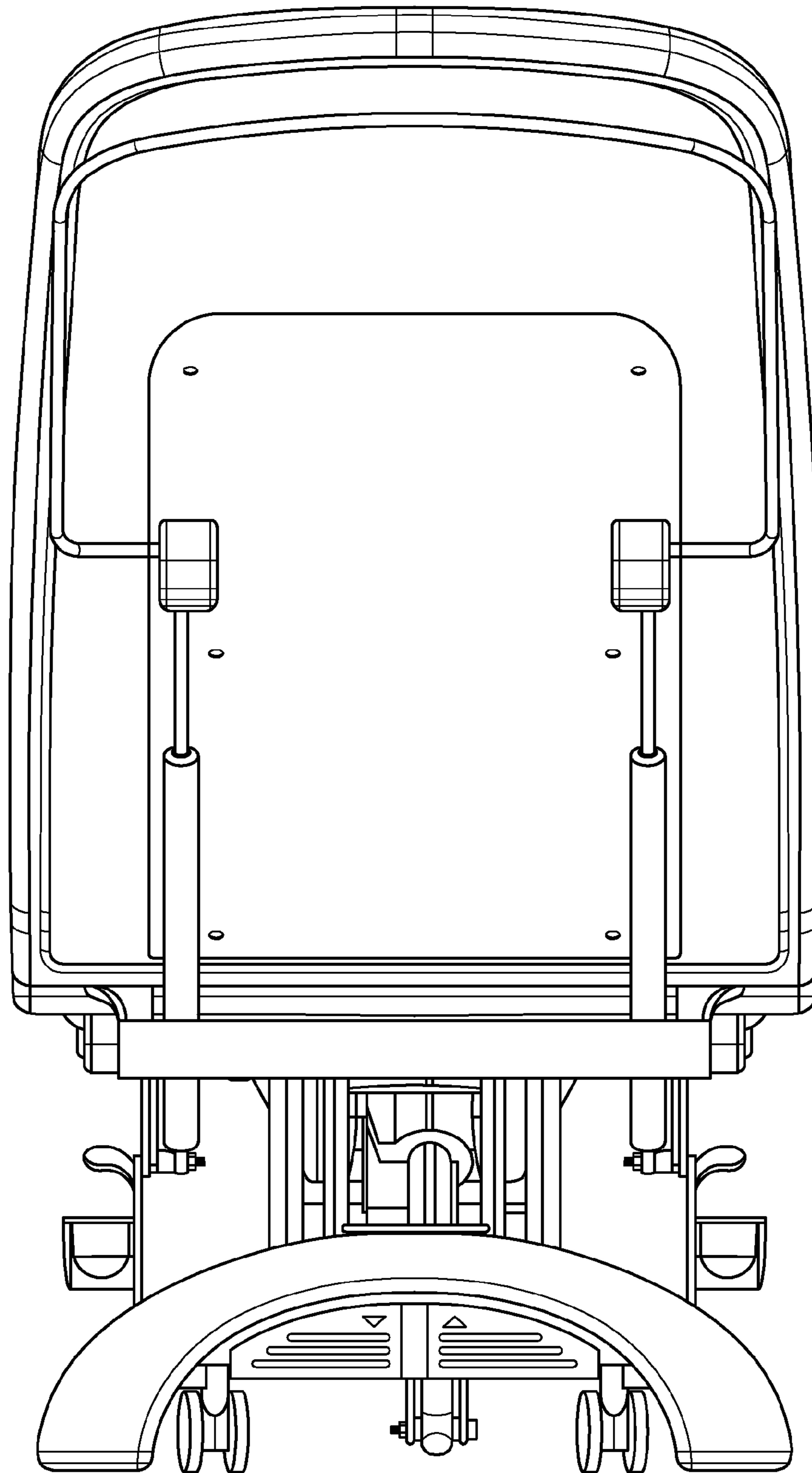


FIGURE 5

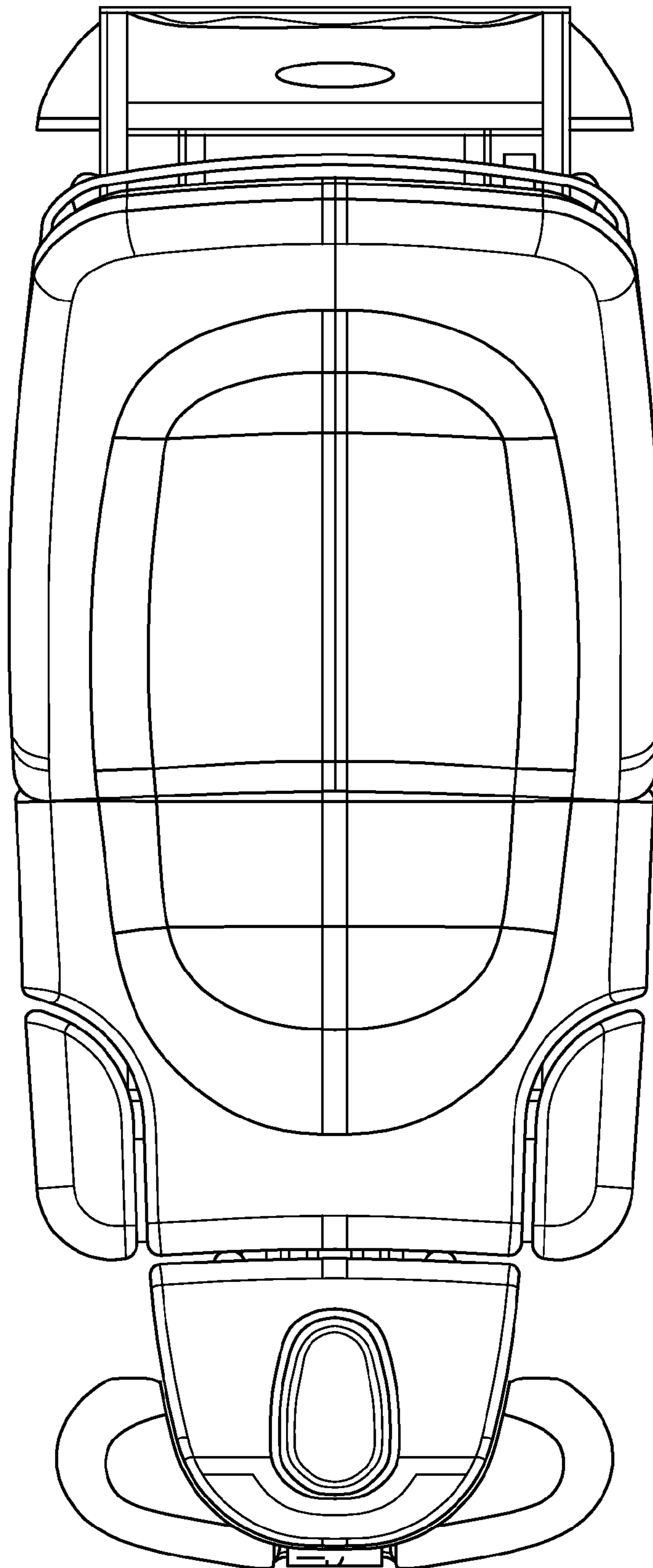


FIGURE 6