



US00D636491S

(12) **United States Design Patent**
van der Reijden

(10) **Patent No.:** **US D636,491 S**

(45) **Date of Patent:** **** Apr. 19, 2011**

(54) **APPARATUS FOR HEARING TEST**

(75) **Inventor:** **Christoph Stefan van der Reijden**, Best (NL)

(73) **Assignee:** **Cordial Medical Europe B.V.**, Best (NL)

(**) **Term:** **14 Years**

(21) **Appl. No.:** **29/355,318**

(22) **Filed:** **Feb. 5, 2010**

(30) **Foreign Application Priority Data**

Aug. 10, 2009 (EM) 001599655-0001

(51) **LOC (9) Cl.** **10-01**

(52) **U.S. Cl.** **D24/151**

(58) **Field of Classification Search** D24/151;
600/559; D14/205, 223; 381/370
See application file for complete search history.

(56) **References Cited**

U.S. PATENT DOCUMENTS

4,173,715 A * 11/1979 Gosman 381/382
D301,145 S * 5/1989 Besasie et al. D14/205

D302,429 S * 7/1989 Leer D14/137
5,954,667 A * 9/1999 Finkenzeller et al. 600/544
D552,077 S * 10/2007 Brunner et al. D14/205
D585,870 S * 2/2009 Zheng et al. D14/205
D623,167 S * 9/2010 Hildebrandt et al. D14/205

* cited by examiner

Primary Examiner — Charles A Rademaker

Assistant Examiner — Carissa C Fitts

(74) *Attorney, Agent, or Firm* — Harness, Dickey & Pierce, P.L.C.

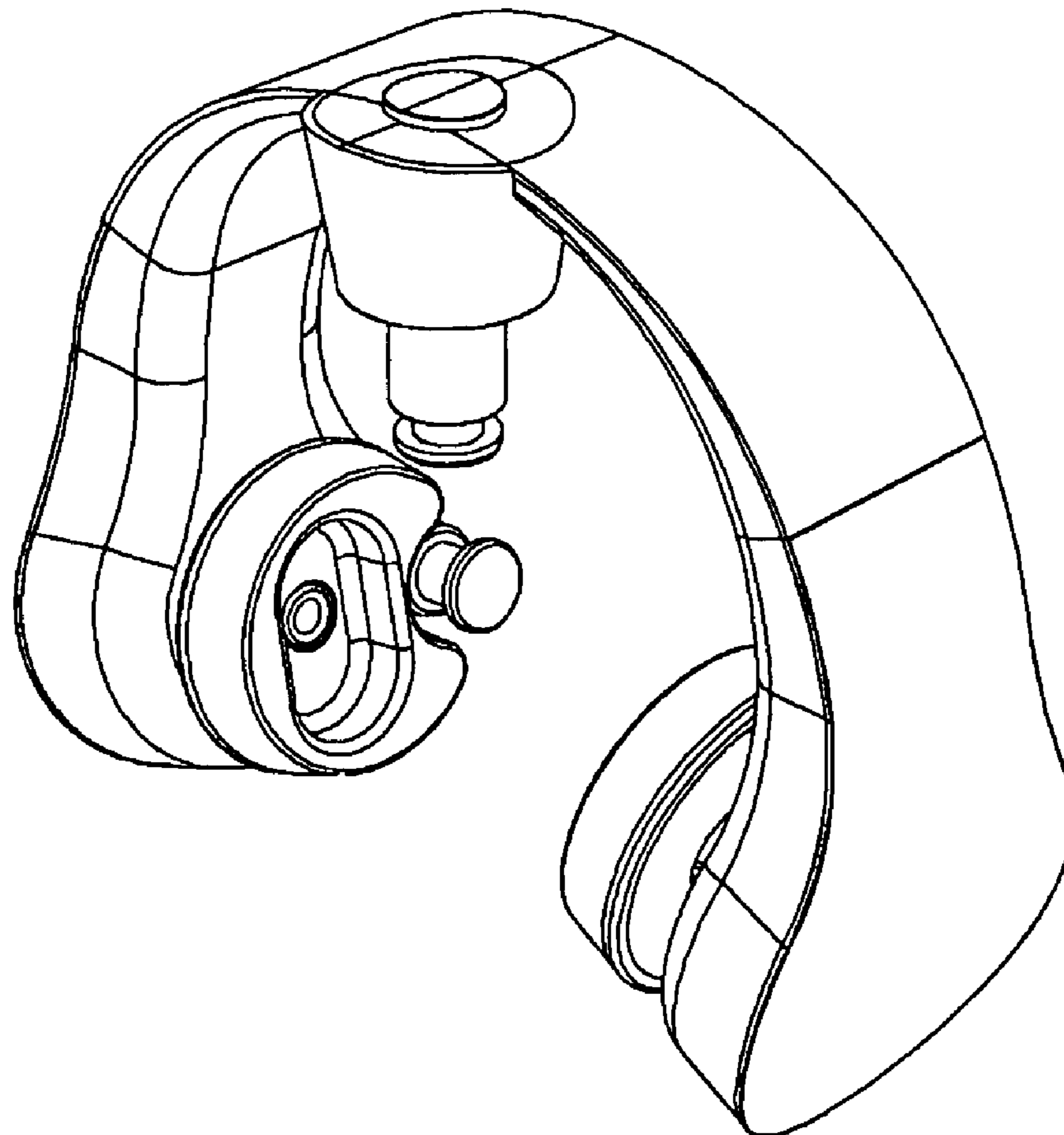
(57) **CLAIM**

The ornamental design for an apparatus for hearing test, as shown and described.

DESCRIPTION

FIG. 1 is a front perspective view of a apparatus for hearing test showing my new design;
FIG. 2 is a front view thereof;
FIG. 3 is a rear view thereof;
FIG. 4 is a top view thereof;
FIG. 5 is a bottom view thereof;
FIG. 6 is a left side view thereof; and,
FIG. 7 is a right side view thereof.

1 Claim, 7 Drawing Sheets



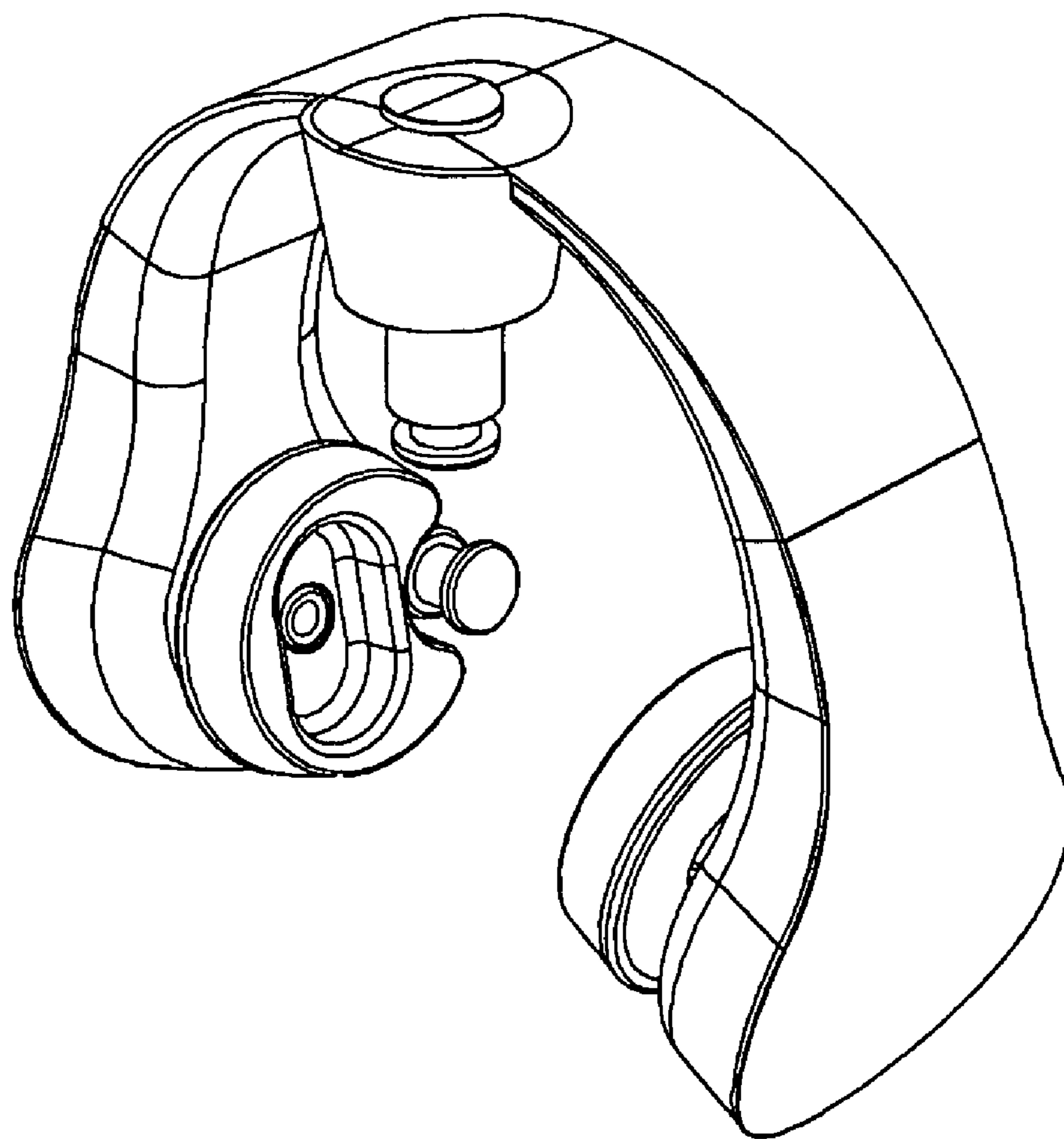


FIG. 1

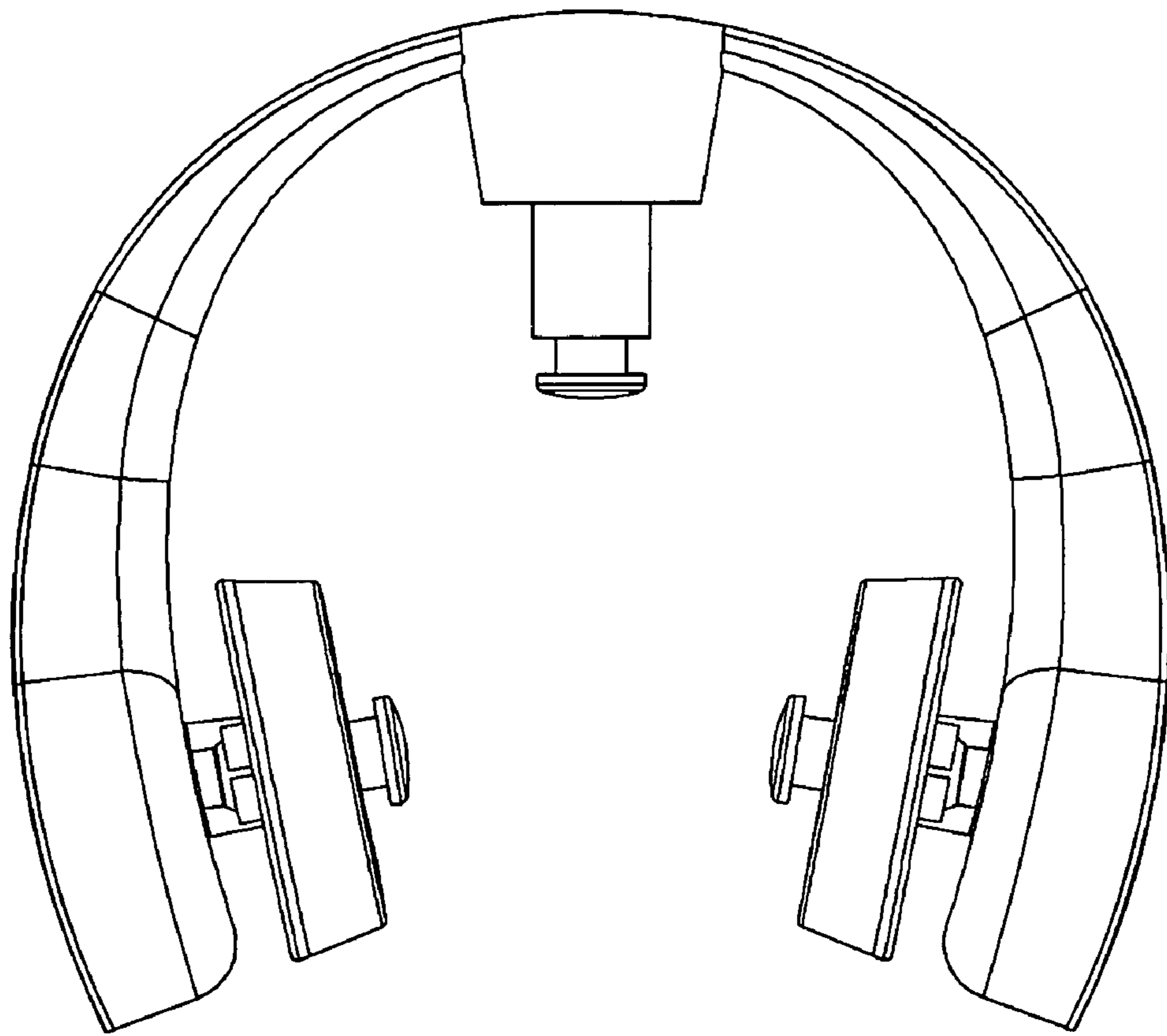


FIG. 2

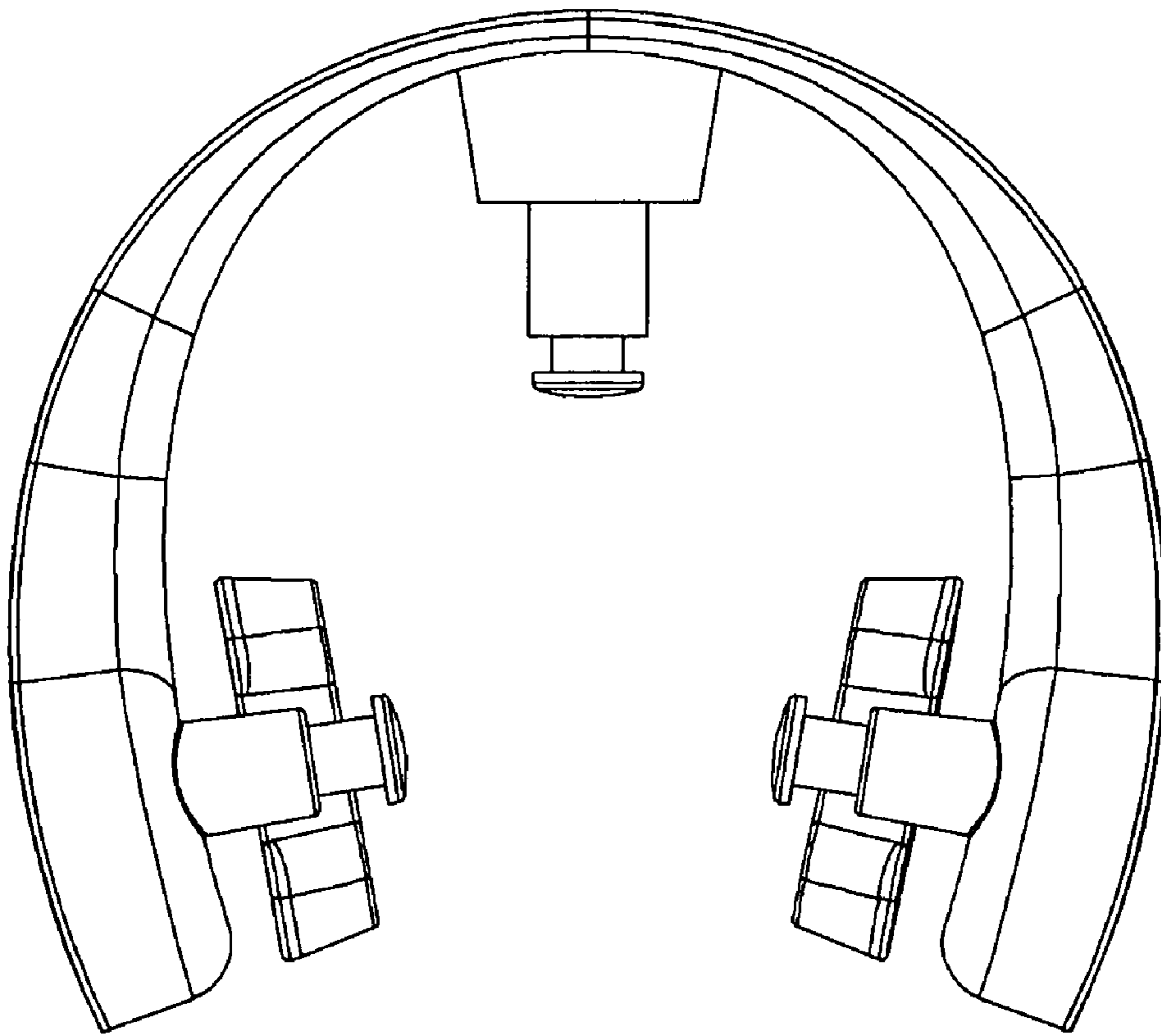


FIG. 3

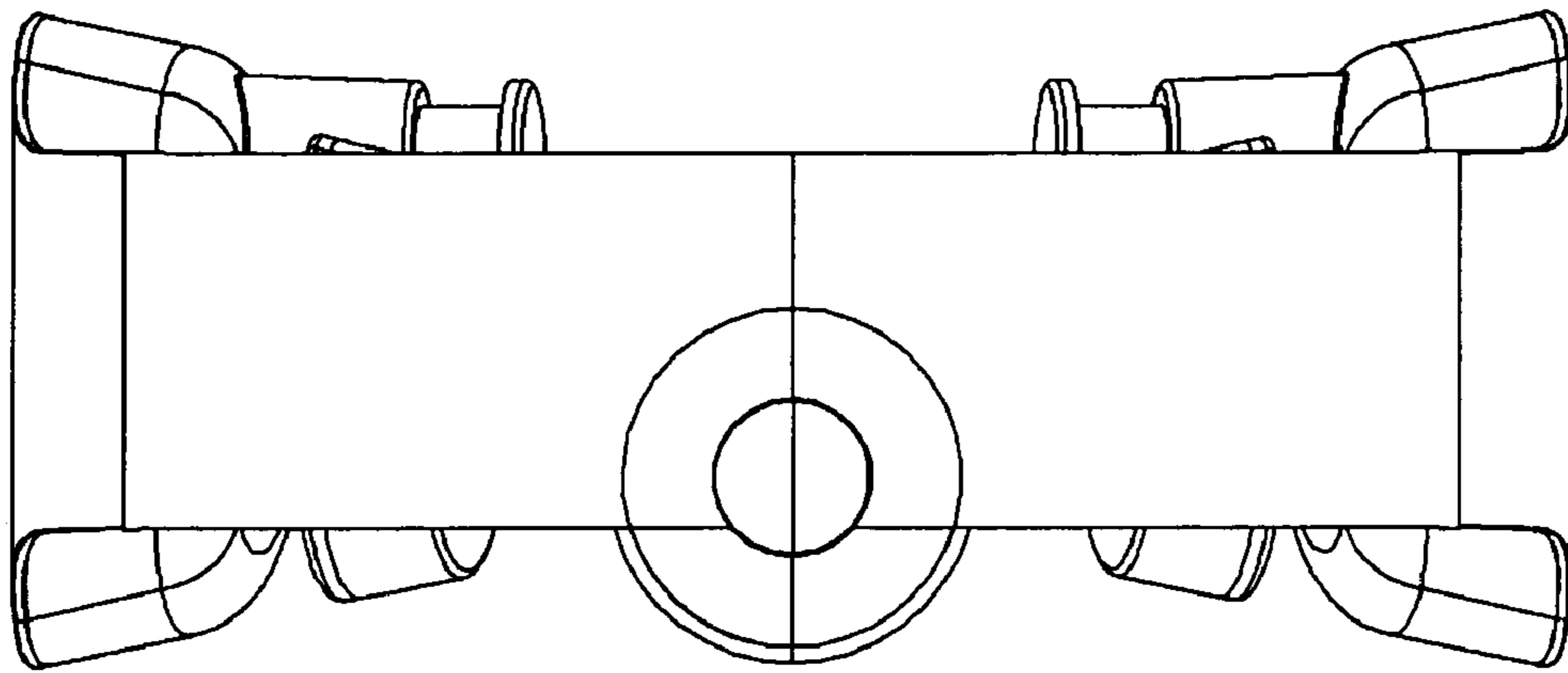


FIG. 4

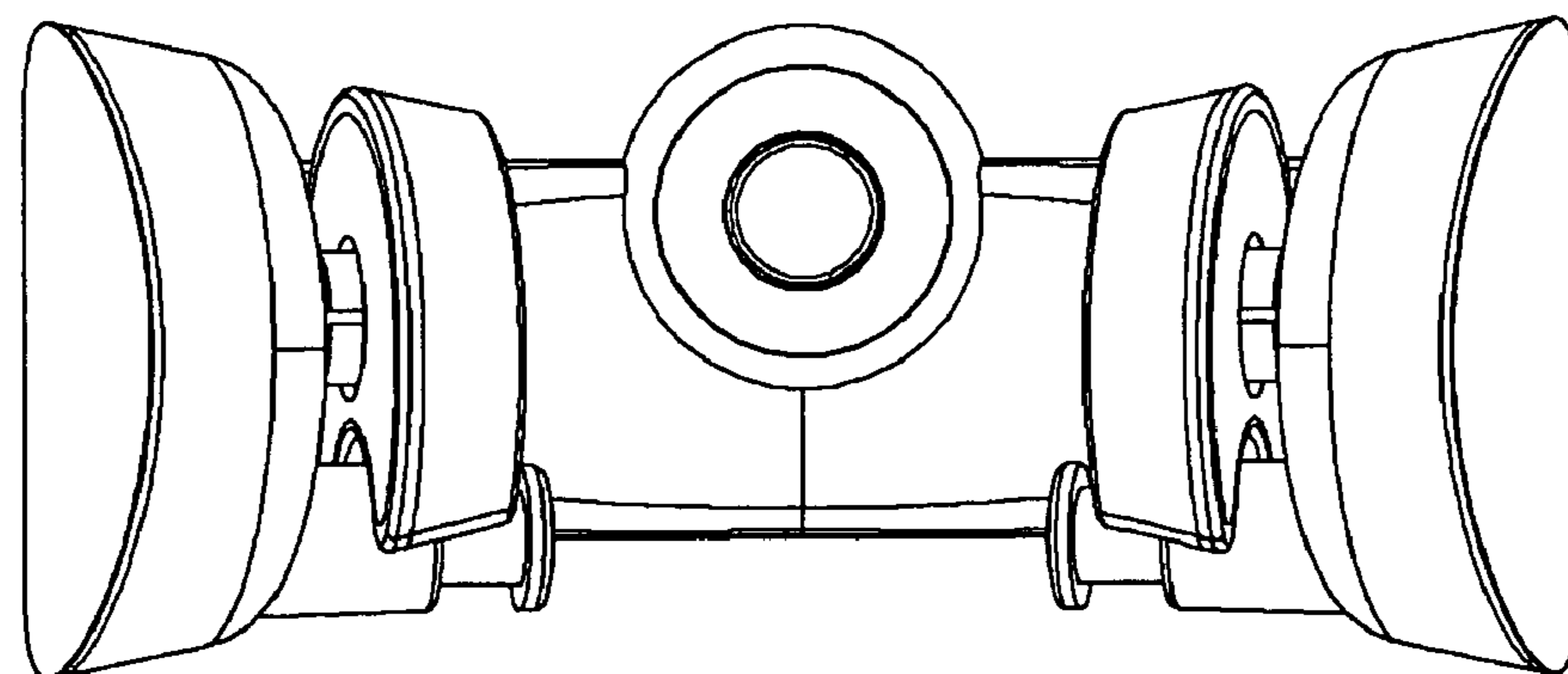


FIG. 5

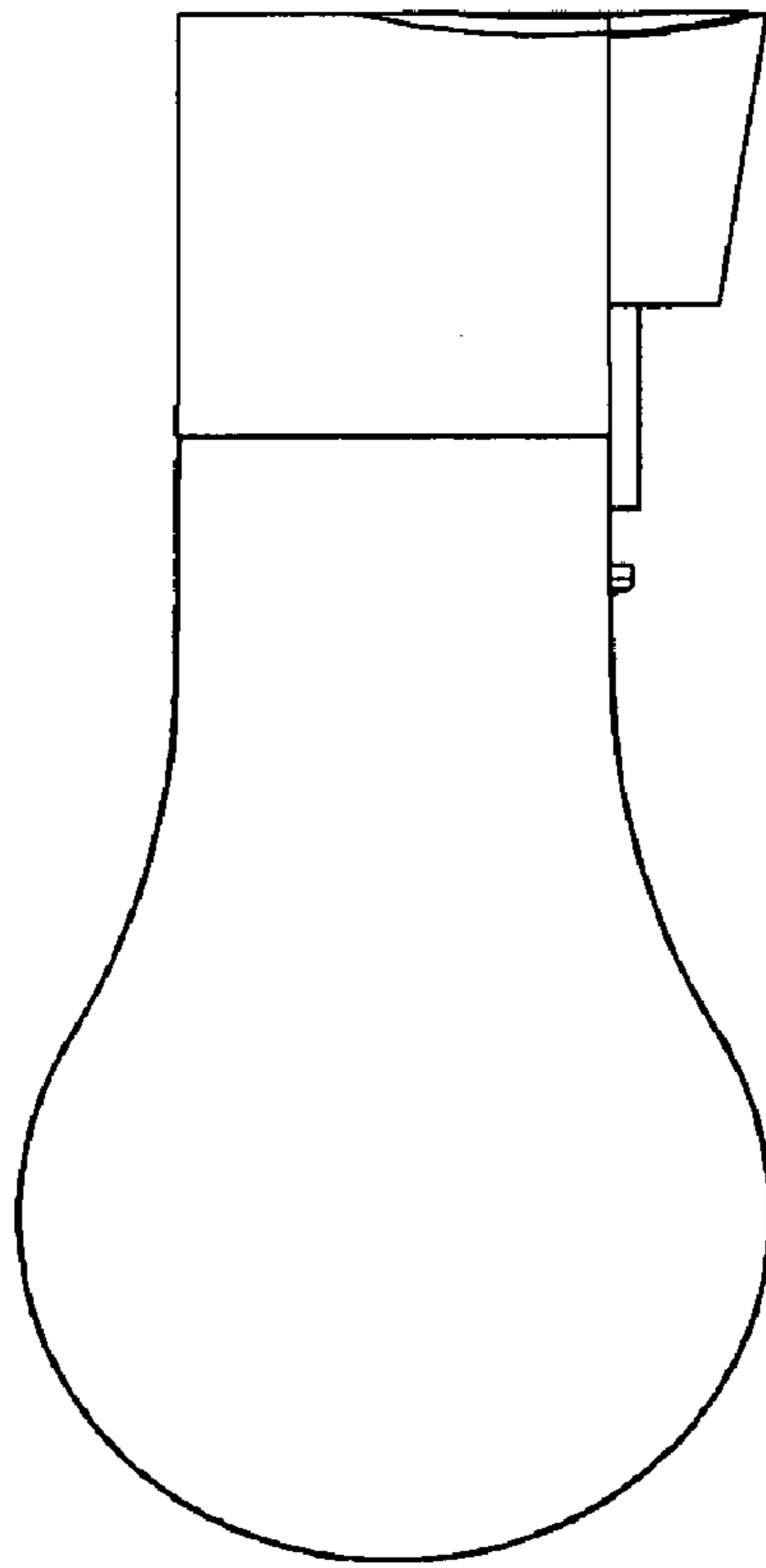


FIG. 6

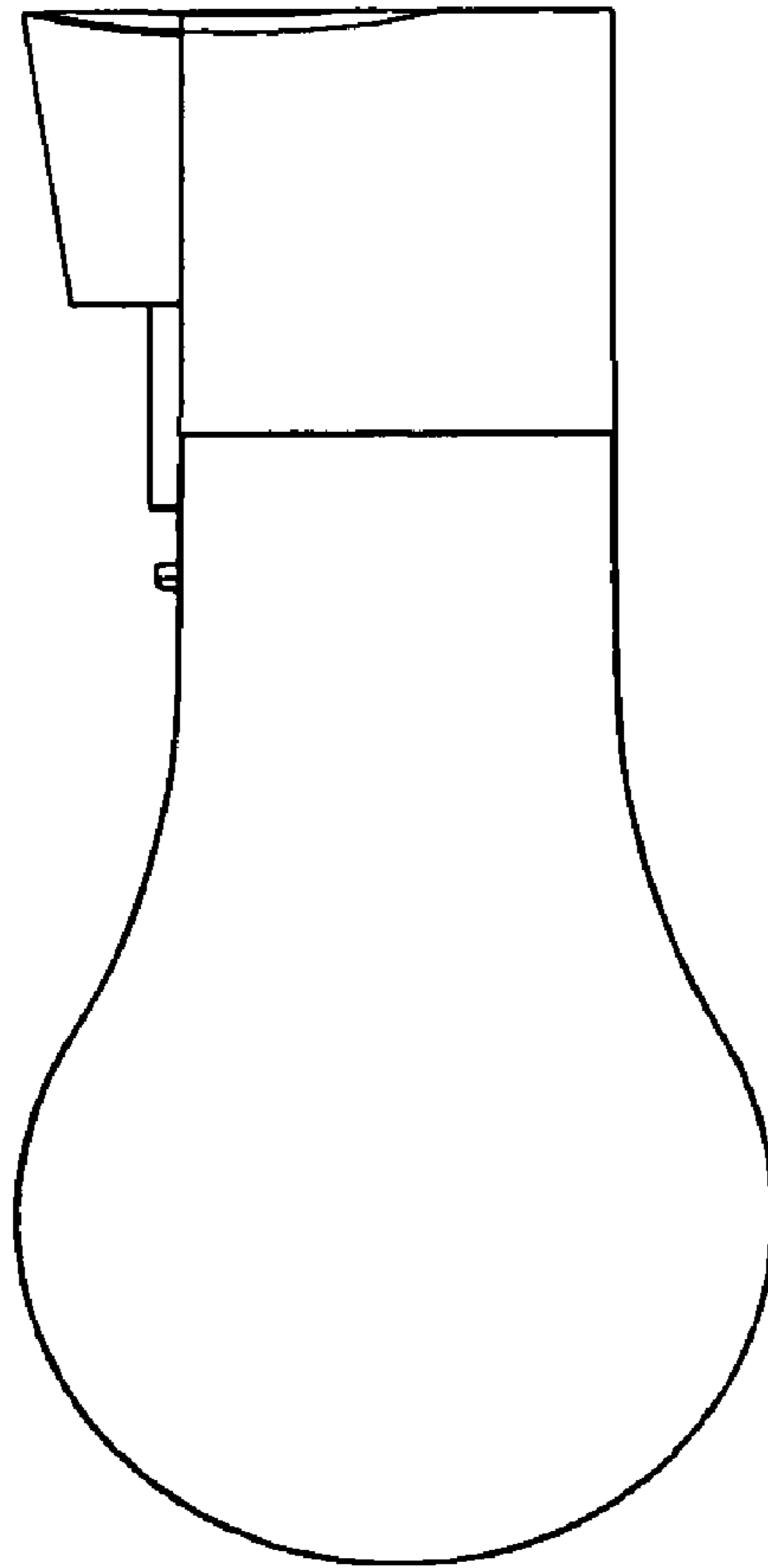


FIG. 7