



US00D636490S

(12) **United States Design Patent**
Koros et al.

(10) **Patent No.:** **US D636,490 S**
(45) **Date of Patent:** **** Apr. 19, 2011**

(54) **OFFSET HANDLE**

(76) Inventors: **Tibor B. Koros**, Westlake Village, CA (US); **Gabriel James Koros**, Westlake Village, CA (US)

(**) Term: **14 Years**

(21) Appl. No.: **29/349,796**

(22) Filed: **May 3, 2010**

(51) **LOC (9) Cl.** **24-02**

(52) **U.S. Cl.** **D24/147**

(58) **Field of Classification Search** D24/146,
D24/147, 133, 135, 144; 606/160, 161, 85,
606/84, 79; 128/757

See application file for complete search history.

(56) **References Cited**

U.S. PATENT DOCUMENTS

D312,310	S	*	11/1990	Michelson	D24/147
5,089,003	A	*	2/1992	Fallin et al.	606/85
5,234,452	A	*	8/1993	Wang-On	606/160
D357,068	S	*	4/1995	Koros et al.	D24/147
5,586,989	A	*	12/1996	Bray, Jr.	606/160

D381,426	S	*	7/1997	Koros et al.	D24/147
D551,764	S	*	9/2007	Easley	D24/144
D587,369	S	*	2/2009	Hickok	D24/152
D590,946	S	*	4/2009	Baynham	D24/146

* cited by examiner

Primary Examiner — Charles A Rademaker

Assistant Examiner — Carissa C Fitts

(57) **CLAIM**

The ornamental design for an offset handle, as shown and described.

DESCRIPTION

FIG. 1 is an isometric view of an offset handle according to the invention showing our new design.

FIG. 2 is a front elevation view thereof,

FIG. 3 is a top plan view thereof,

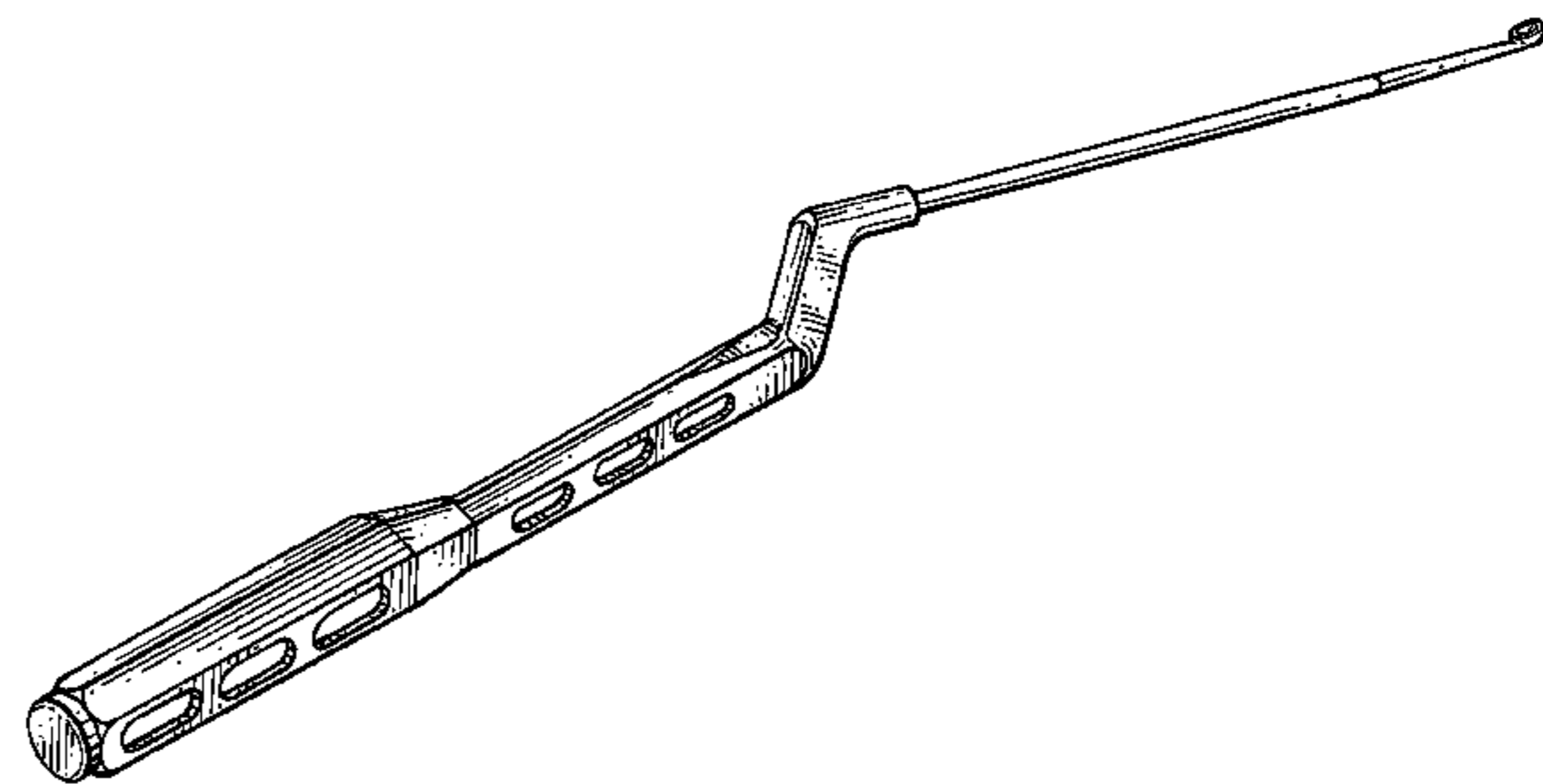
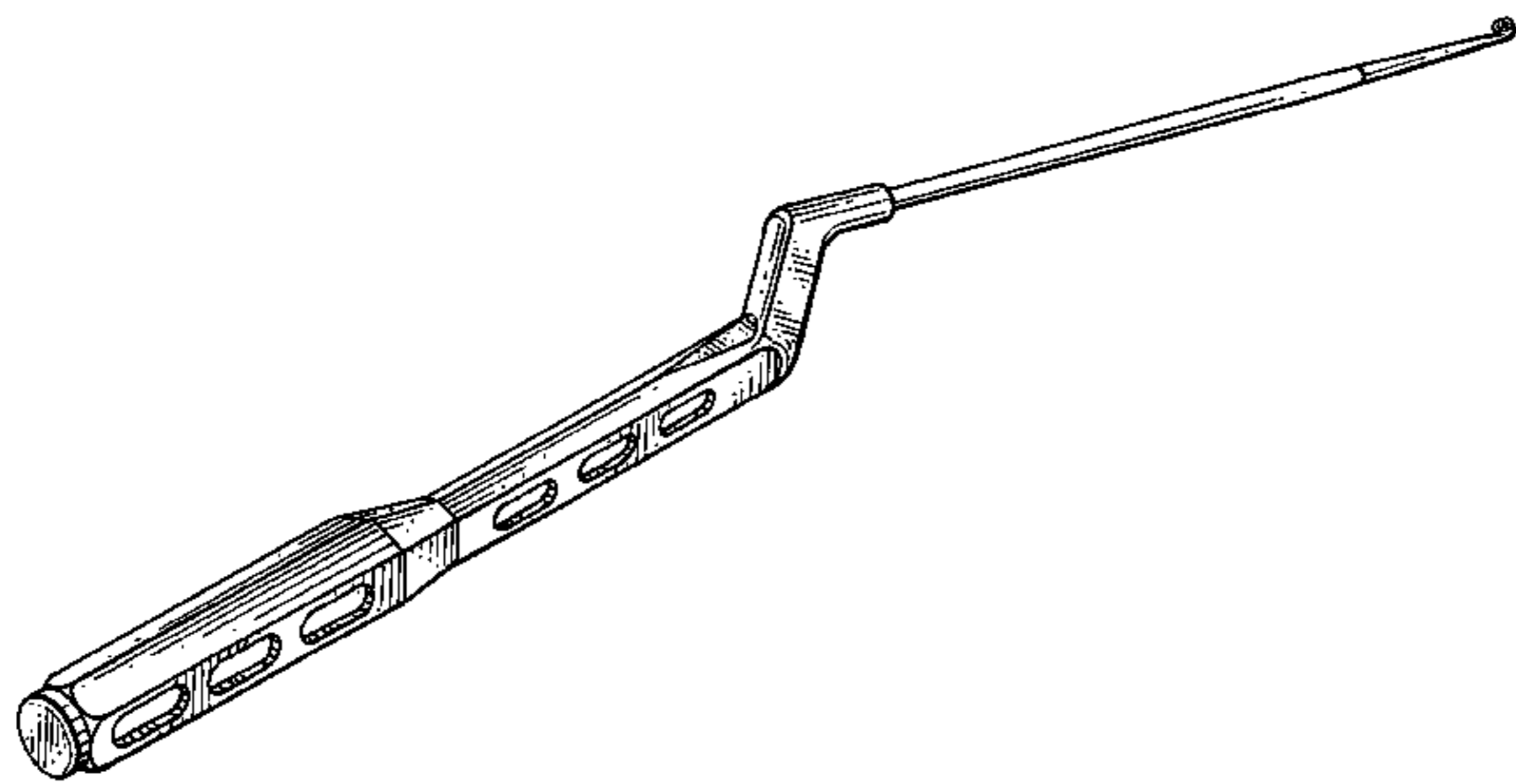
FIG. 4 is a right side elevation view thereof, the left side being identical;

FIG. 5 is a bottom plan view thereof,

FIG. 6 is a rear elevation view thereof; and,

FIG. 7 is an isometric view showing a modified embodiment of the design shown in FIGS. 1 through 6.

1 Claim, 2 Drawing Sheets



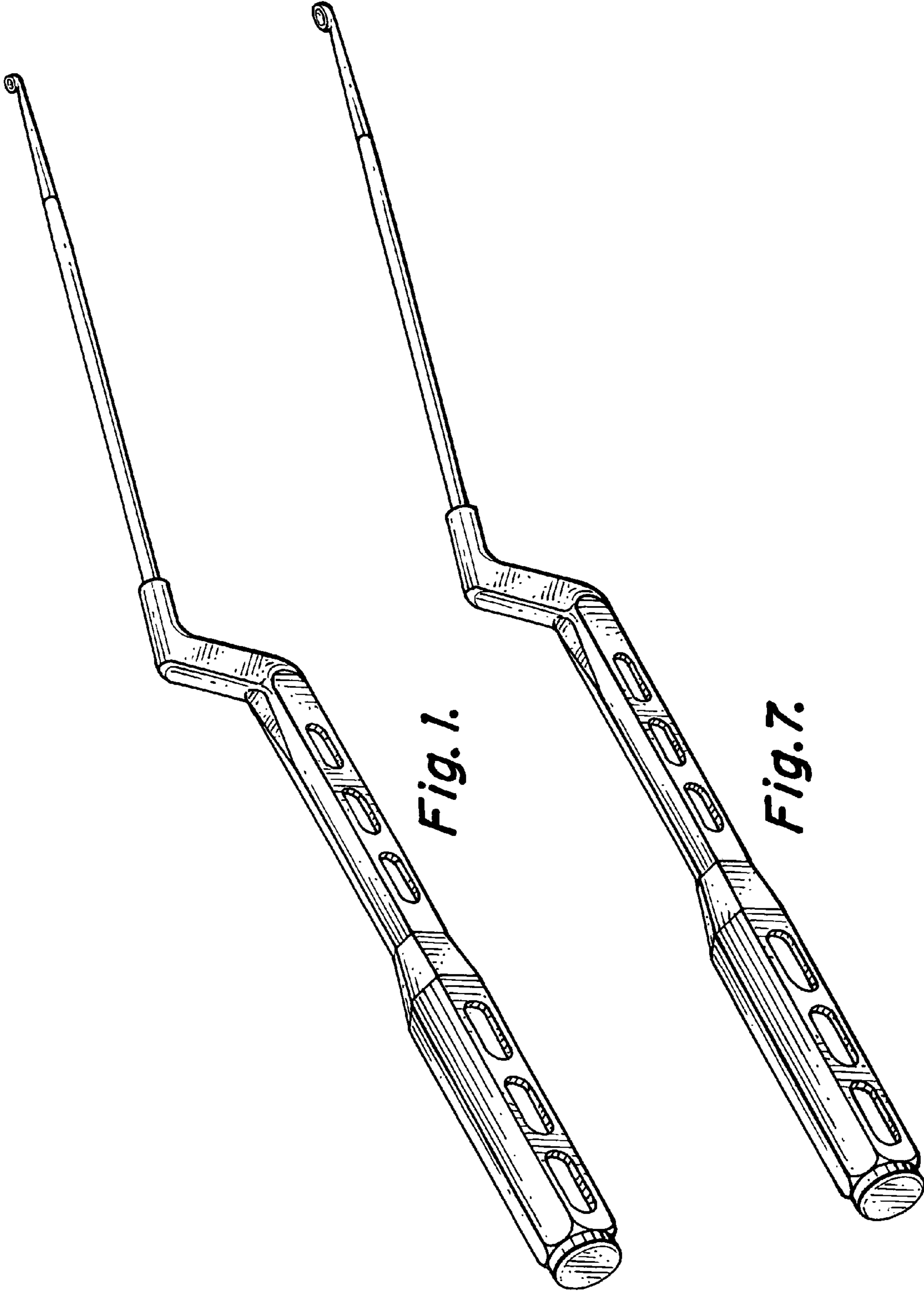


Fig. 1.

Fig. 7.



Fig. 2.



Fig. 6.

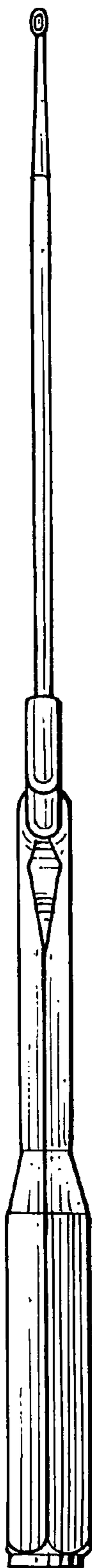


Fig. 3.

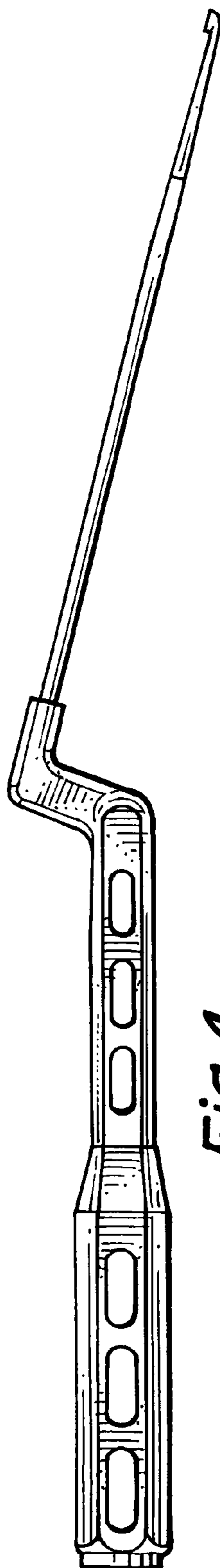


Fig. 4.

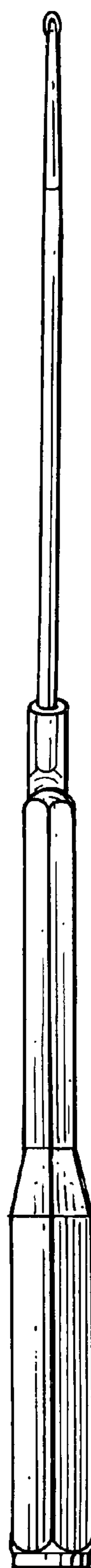


Fig. 5.