



US00D636484S

(12) **United States Design Patent**
Tiemens

(10) **Patent No.:** **US D636,484 S**
(45) **Date of Patent:** **** Apr. 19, 2011**

(54) **EARPLUG**

(75) Inventor: **Jim Tiemens**, Laguna Niguel, CA (US)
(73) Assignee: **Sperian Hearing Protection, LLC**, San Diego, CA (US)
(**) Term: **14 Years**

(21) Appl. No.: **29/345,845**

(22) Filed: **Oct. 22, 2009**

(51) **LOC (9) Cl.** **24-01**

(52) **U.S. Cl.** **D24/106**

(58) **Field of Classification Search** D24/105-109;
181/135, 129, 130, 134; 264/41; D29/105,
D29/106, 108, 112; 128/864, 865, 867, 868
See application file for complete search history.

(56) **References Cited**

U.S. PATENT DOCUMENTS

D242,743	S	*	12/1976	Leight	D24/106
4,434,794	A		3/1984	Leight		
4,774,938	A		10/1988	Leight		
D307,635	S	*	5/1990	Gardner, Jr.	D24/106
5,044,463	A	*	9/1991	Carr	181/135
5,188,123	A		2/1993	Gardner, Jr.		
5,203,352	A		4/1993	Gardner, Jr.		
D375,550	S		11/1996	Esler et al.		
D375,551	S		11/1996	Esler et al.		
5,573,015	A		11/1996	Williams		
5,668,354	A	*	9/1997	Falco	181/135
5,792,998	A		8/1998	Gardner, Jr. et al.		
5,799,658	A		9/1998	Falco		
D402,752	S		12/1998	Falco		
D403,062	S		12/1998	Dix		
D405,173	S		2/1999	Falco		
D409,743	S		5/1999	Falco et al.		
D413,379	S	*	8/1999	Leight	D24/106
5,957,136	A		9/1999	Magidson et al.		
5,988,313	A		11/1999	Hakansson		
6,006,857	A		12/1999	Leight et al.		
D427,304	S		6/2000	Magidson et al.		
6,241,042	B1	*	6/2001	Falco	181/135
6,425,398	B1		7/2002	Hirshfeld		
D466,995	S		12/2002	Knauer et al.		

(Continued)

FOREIGN PATENT DOCUMENTS

WO 9200049 A1 1/1992

Primary Examiner — Ian Simmons

Assistant Examiner — Charles D Hanson

(74) *Attorney, Agent, or Firm* — Conley Rose, P.C.; Kristin Jordan Harkins

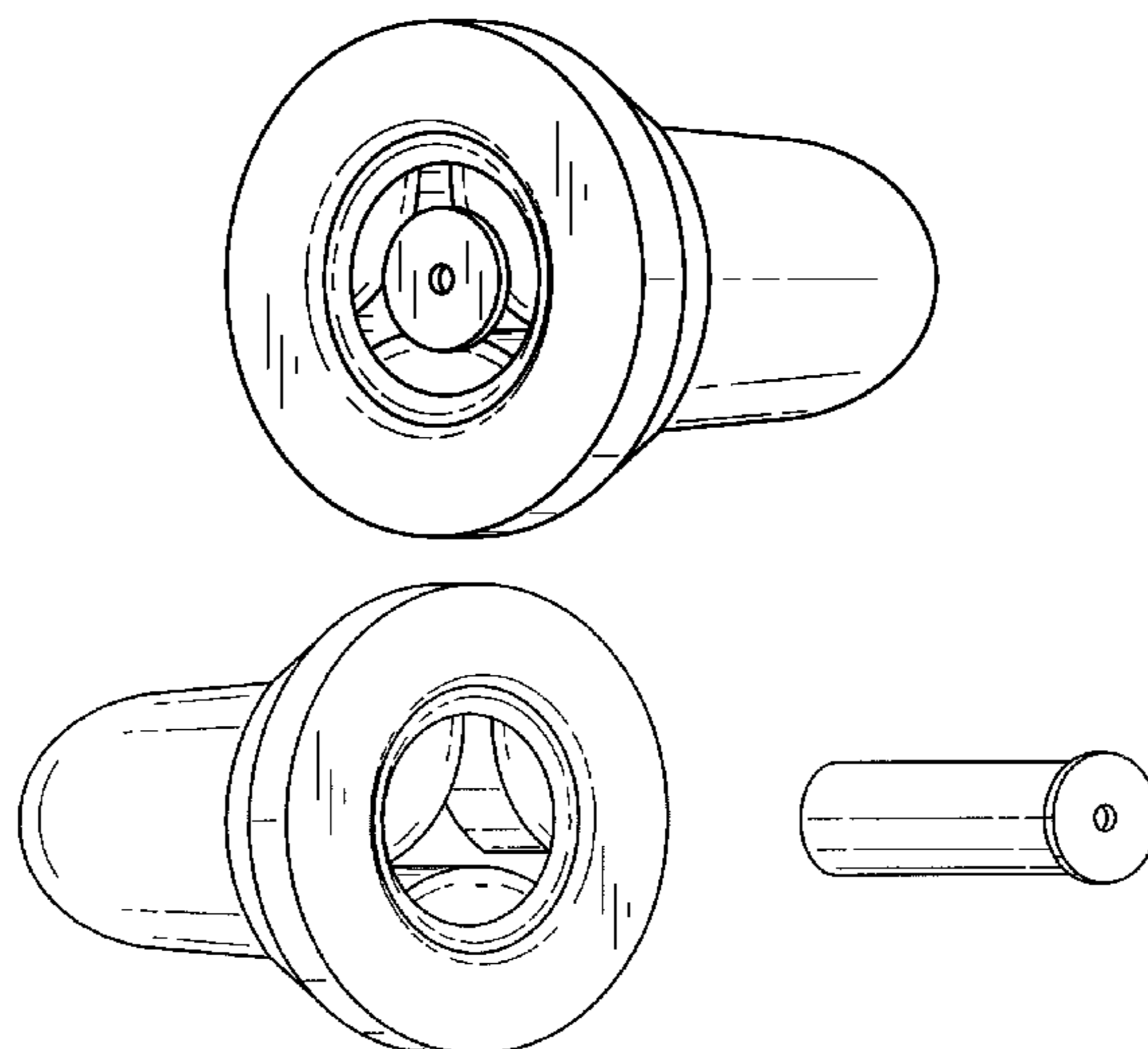
(57) **CLAIM**

The ornamental design for an earplug, as shown and described.

DESCRIPTION

FIG. 1 is a rear perspective view of an earplug in accordance with my new design;
 FIG. 2 is a front perspective view thereof;
 FIG. 3 is a side elevation view thereof, all other side views displaying the same image thereof;
 FIG. 4 is a rear elevation view thereof;
 FIG. 5 is a front elevation view thereof;
 FIG. 6 is an exploded rear perspective view thereof, showing the earplug shell and the insertion stem of the design;
 FIG. 7 is a rear perspective view of only the earplug shell portion of FIG. 6;
 FIG. 8 is a rear elevation view of the earplug shell portion of FIG. 6;
 FIG. 9 is a side elevation view of only the insertion stem portion of FIG. 6, all other side views of the insertion stem displaying the same image thereof;
 FIG. 10 is a front elevation view of the insertion stem portion of FIG. 6;
 FIG. 11 is a rear elevation view of the insertion stem portion of FIG. 6; and,
 FIG. 12 is a median cross-sectional side view of the earplug shell portion of FIG. 8 taken at the indicated plane and direction.
 The broken lines shown in the drawings are only provided to illustrate the environment of the design, and form no part of the claimed design.

1 Claim, 4 Drawing Sheets



US D636,484 S

Page 2

U.S. PATENT DOCUMENTS

D471,625 S *	3/2003	Falco	D24/106	7,192,544 B2	3/2007	Jenkins, Jr. et al.	
D472,627 S	4/2003	Falco			7,210,484 B1	5/2007	Tiemens et al.	
6,568,394 B2	5/2003	Falco			7,264,081 B2 *	9/2007	Bruck 181/135
D478,658 S	8/2003	Falco			7,305,992 B2	12/2007	Fleming	
D481,118 S *	10/2003	Doty et al.	D24/106	D560,792 S	1/2008	Miller	
6,659,103 B2	12/2003	Tiemens			7,314,047 B2	1/2008	Falco	
6,695,093 B1	2/2004	Falco			D577,812 S	9/2008	Zwart	
D492,766 S	7/2004	Falco			7,464,786 B2	12/2008	Falco et al.	
D492,767 S	7/2004	Knauer et al.			7,475,686 B2	1/2009	Knauer et al.	
D492,768 S	7/2004	Knauer et al.			7,510,046 B2	3/2009	Doty	
D496,722 S *	9/2004	Falco et al.	D24/106	7,537,011 B2	5/2009	Falco	
D512,141 S	11/2005	Mishkin et al.			7,697,706 B2	4/2010	Doty	
D524,937 S *	7/2006	Doty et al.	D24/106	7,727,433 B2	6/2010	Knauer et al.	
D528,204 S *	9/2006	Doty et al.	D24/106	7,743,771 B2	6/2010	Falco	
D529,169 S	9/2006	Ryan			2004/0045558 A1	3/2004	Taylor et al.	
7,107,993 B2	9/2006	Magidson			2006/0162992 A1	7/2006	Seville	
D536,089 S	1/2007	Magidson et al.			2006/0175722 A1 *	8/2006	Babcock et al. 264/41
D538,924 S	3/2007	Doty			2007/0221232 A1	9/2007	Jenkins	
D539,415 S	3/2007	Fleming						

* cited by examiner

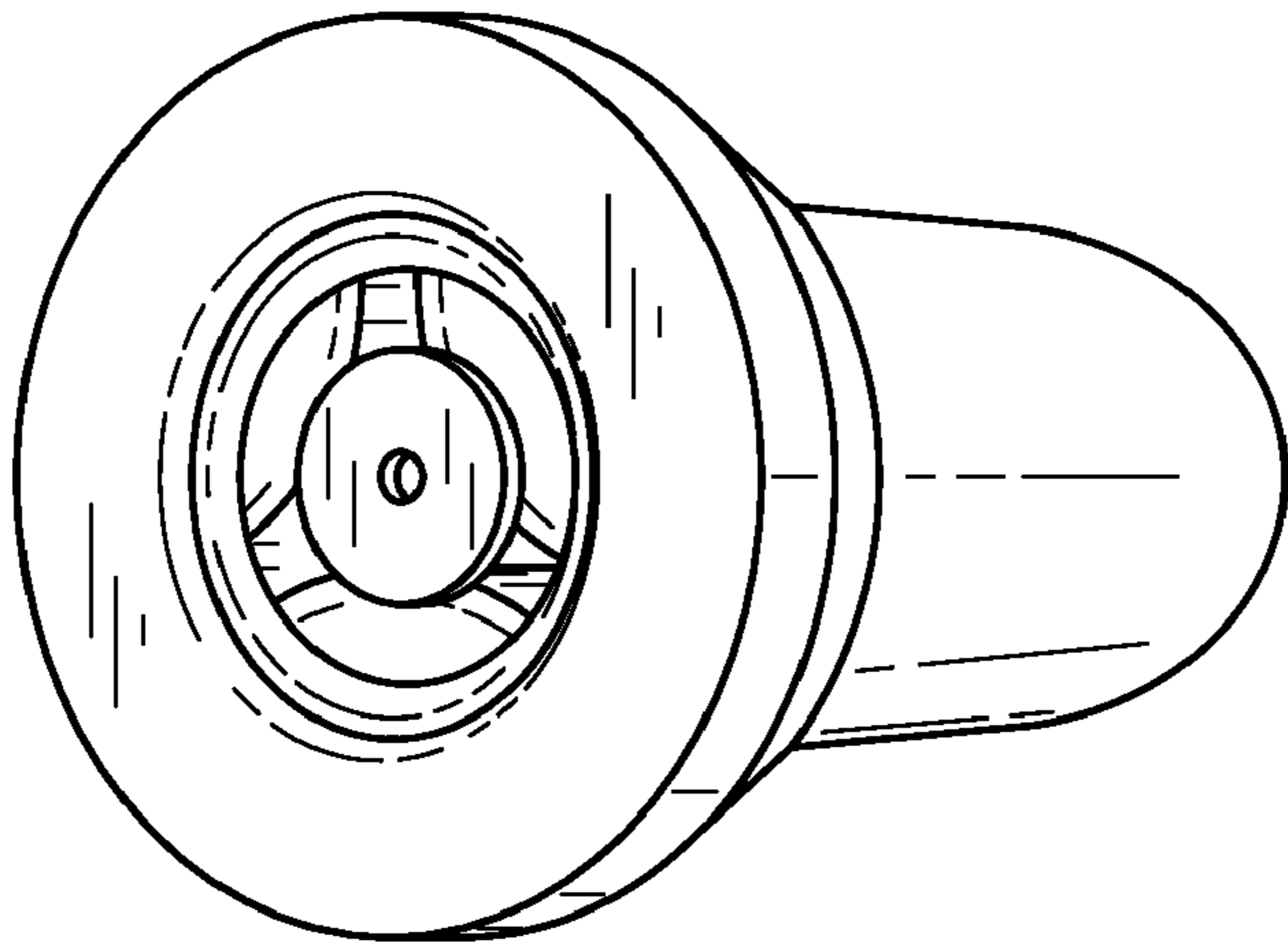


FIG. 1

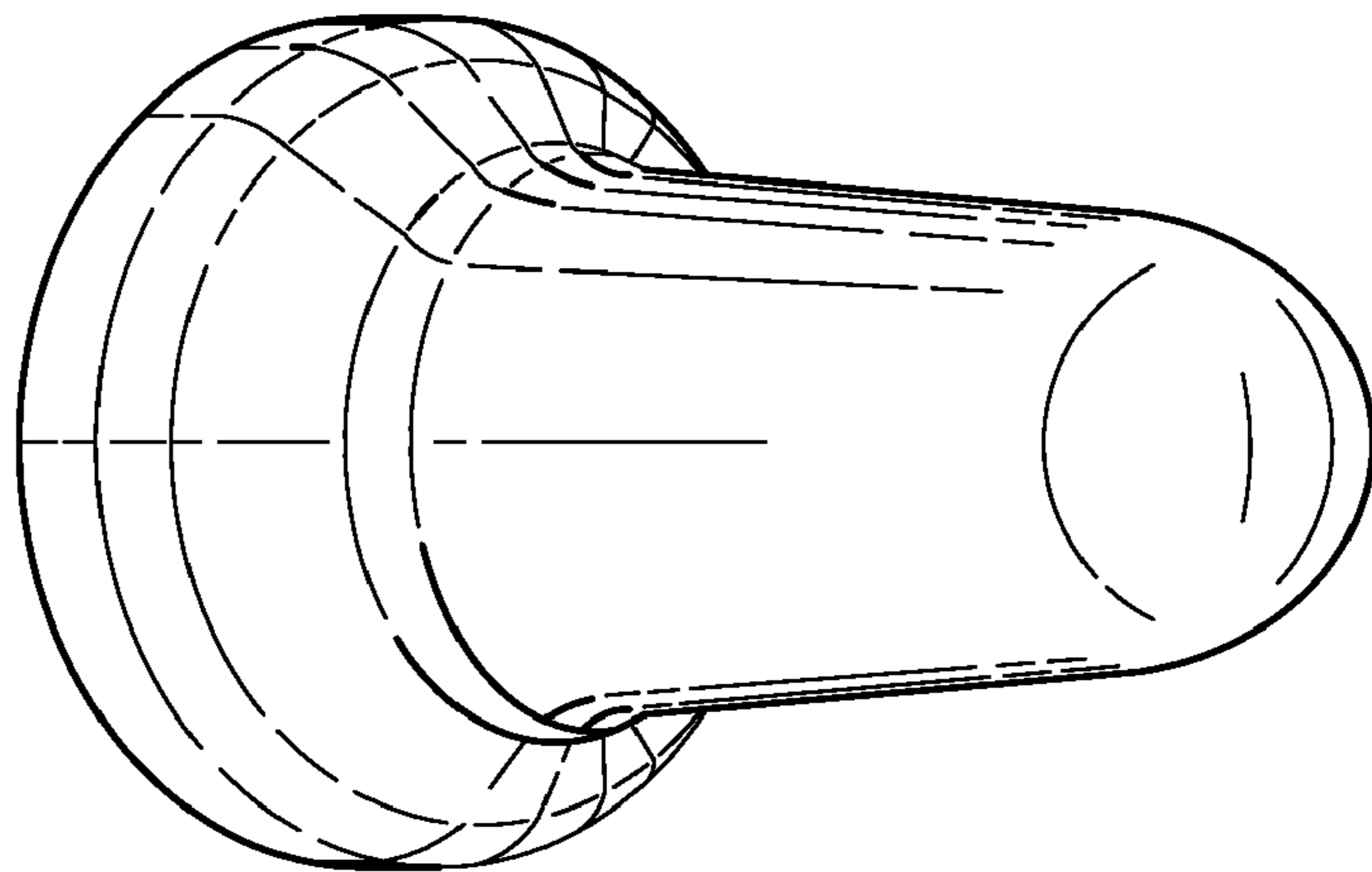


FIG. 2

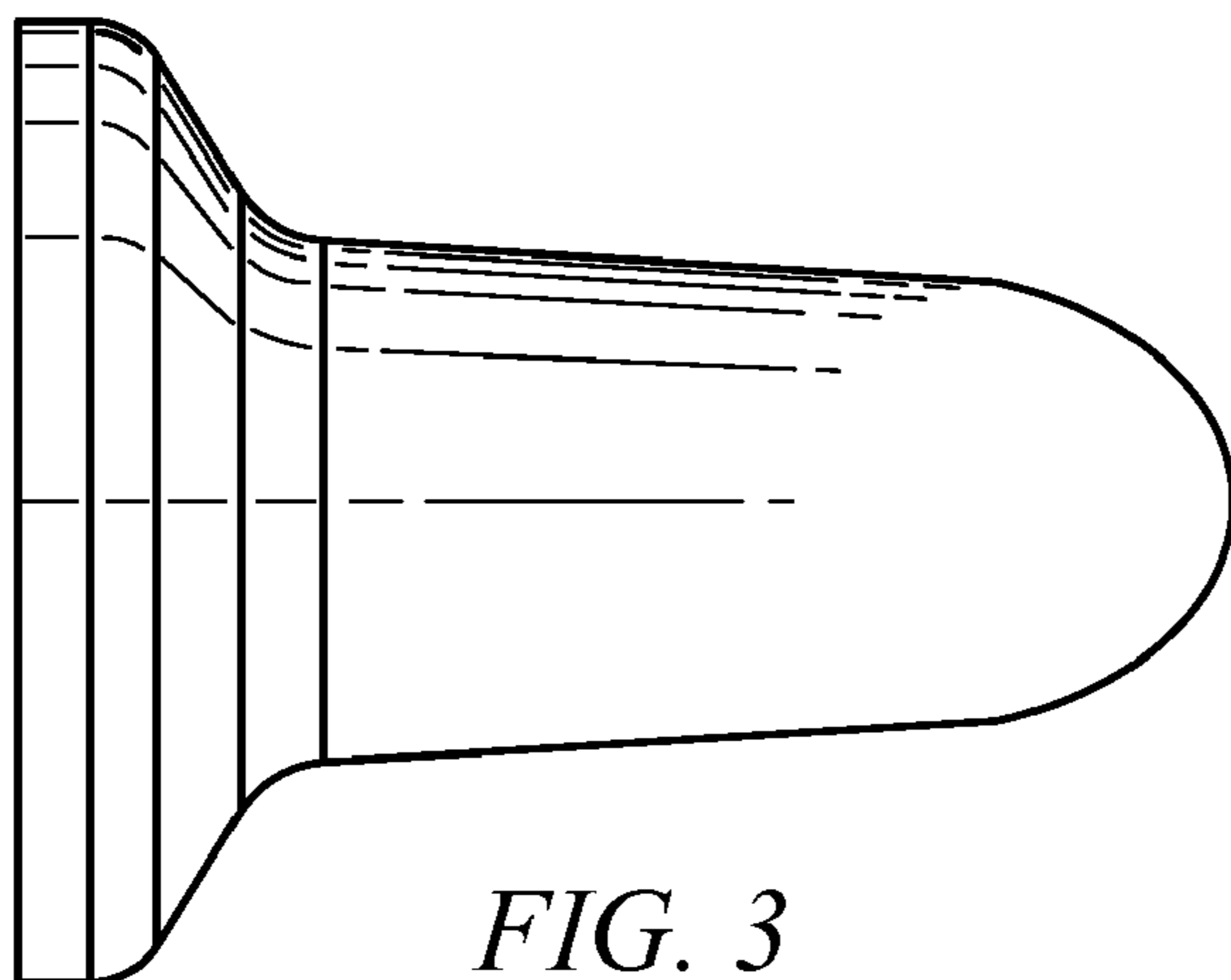


FIG. 3

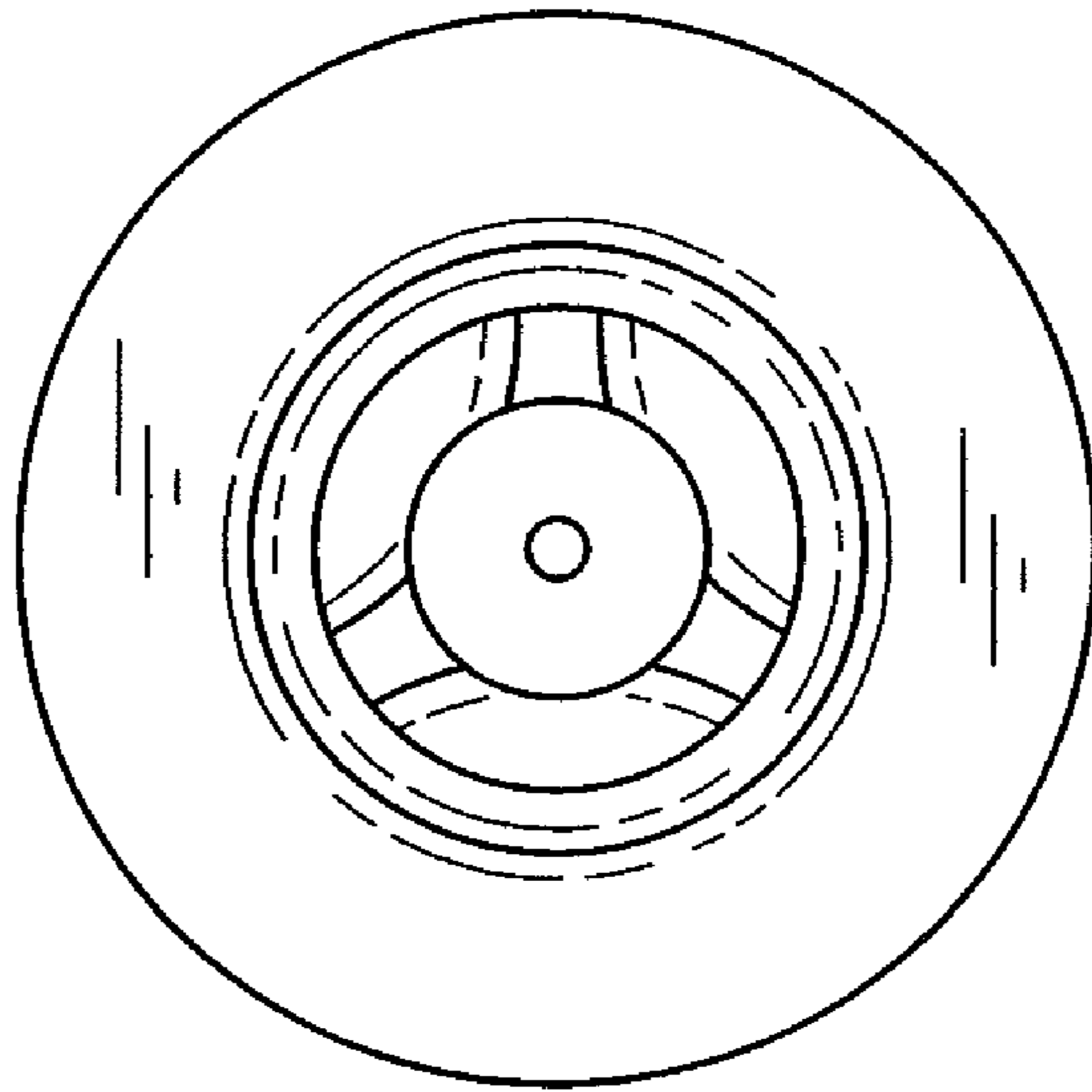


FIG. 4

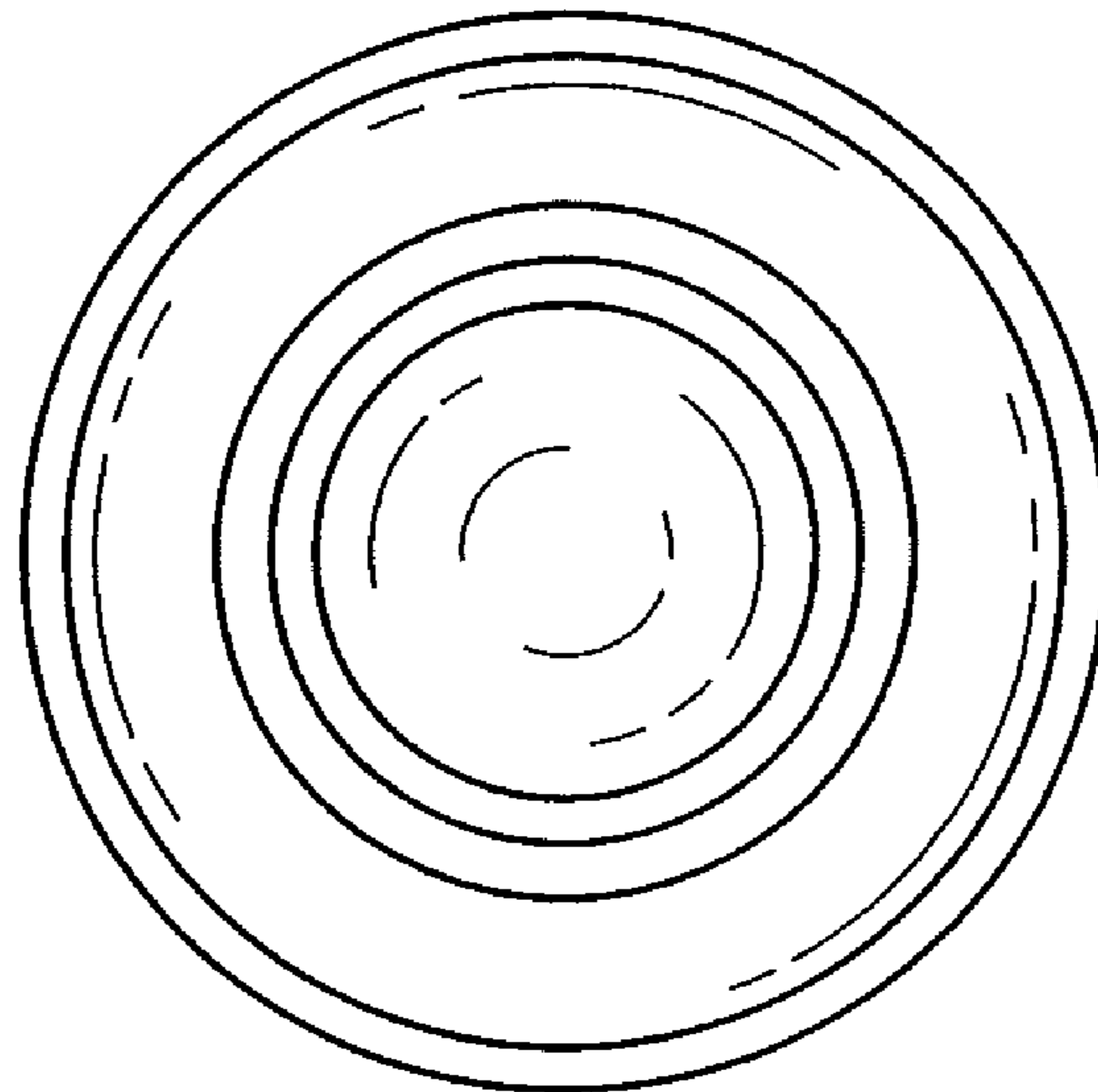


FIG. 5

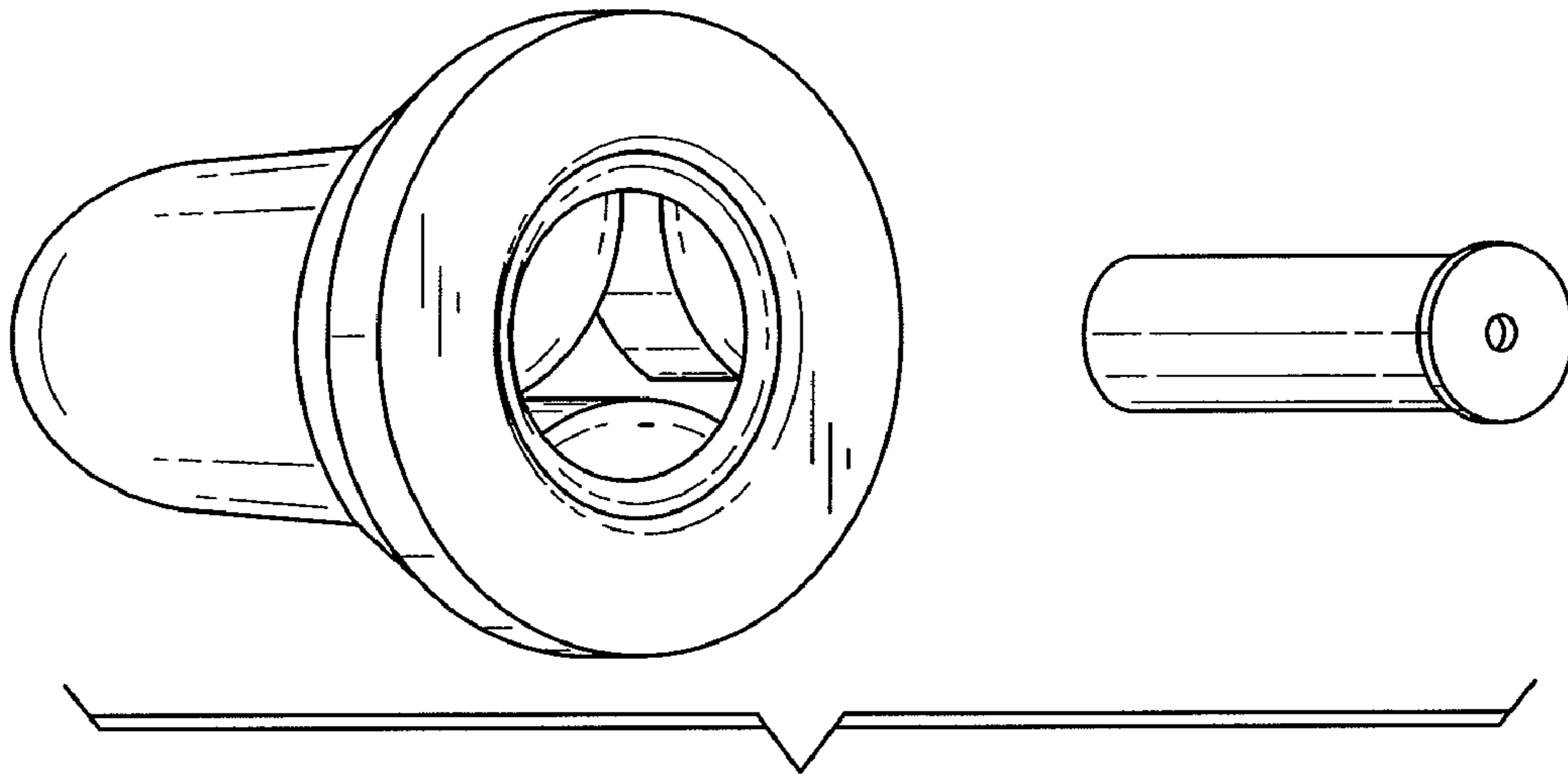


FIG. 6

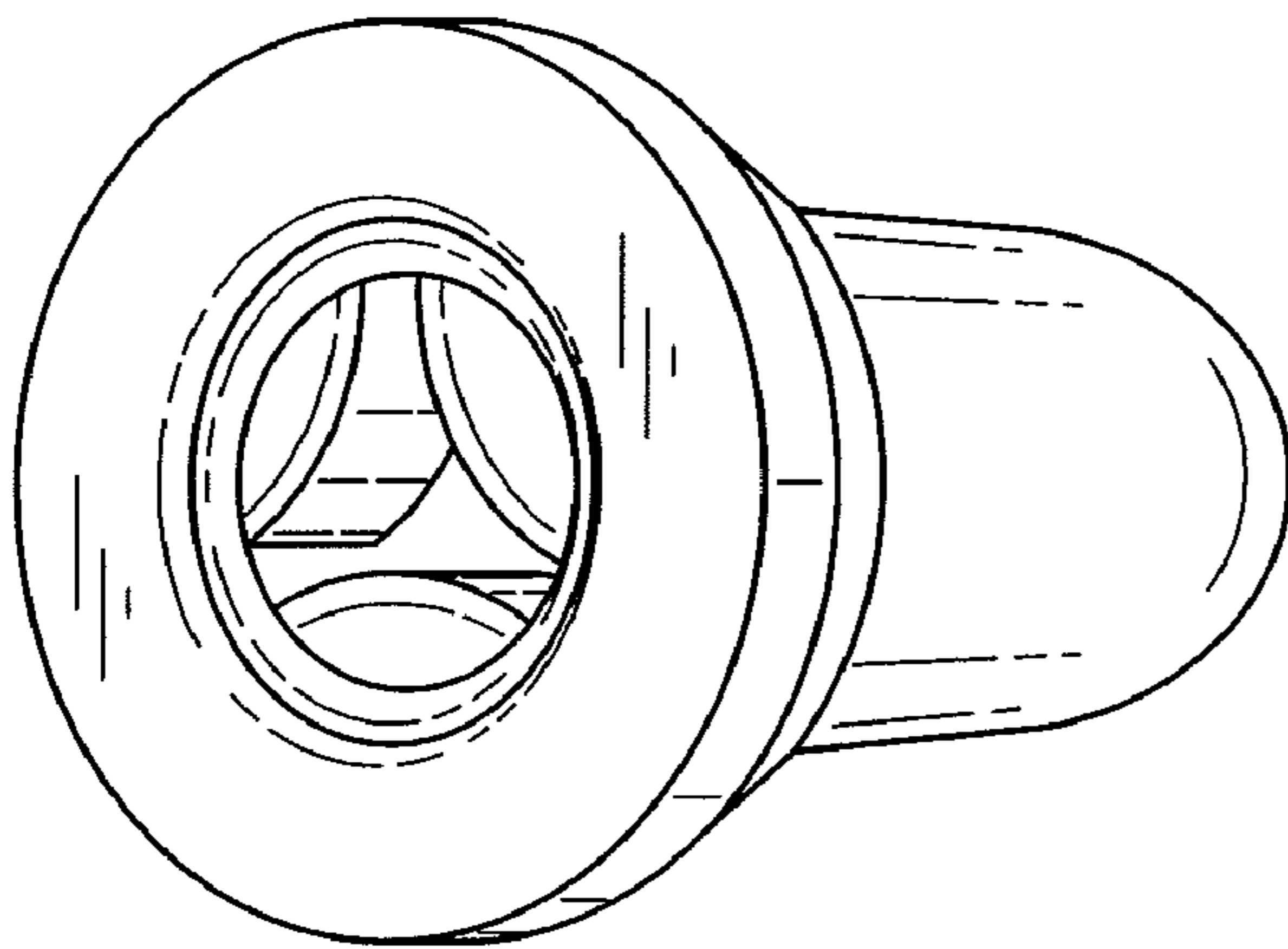


FIG. 7

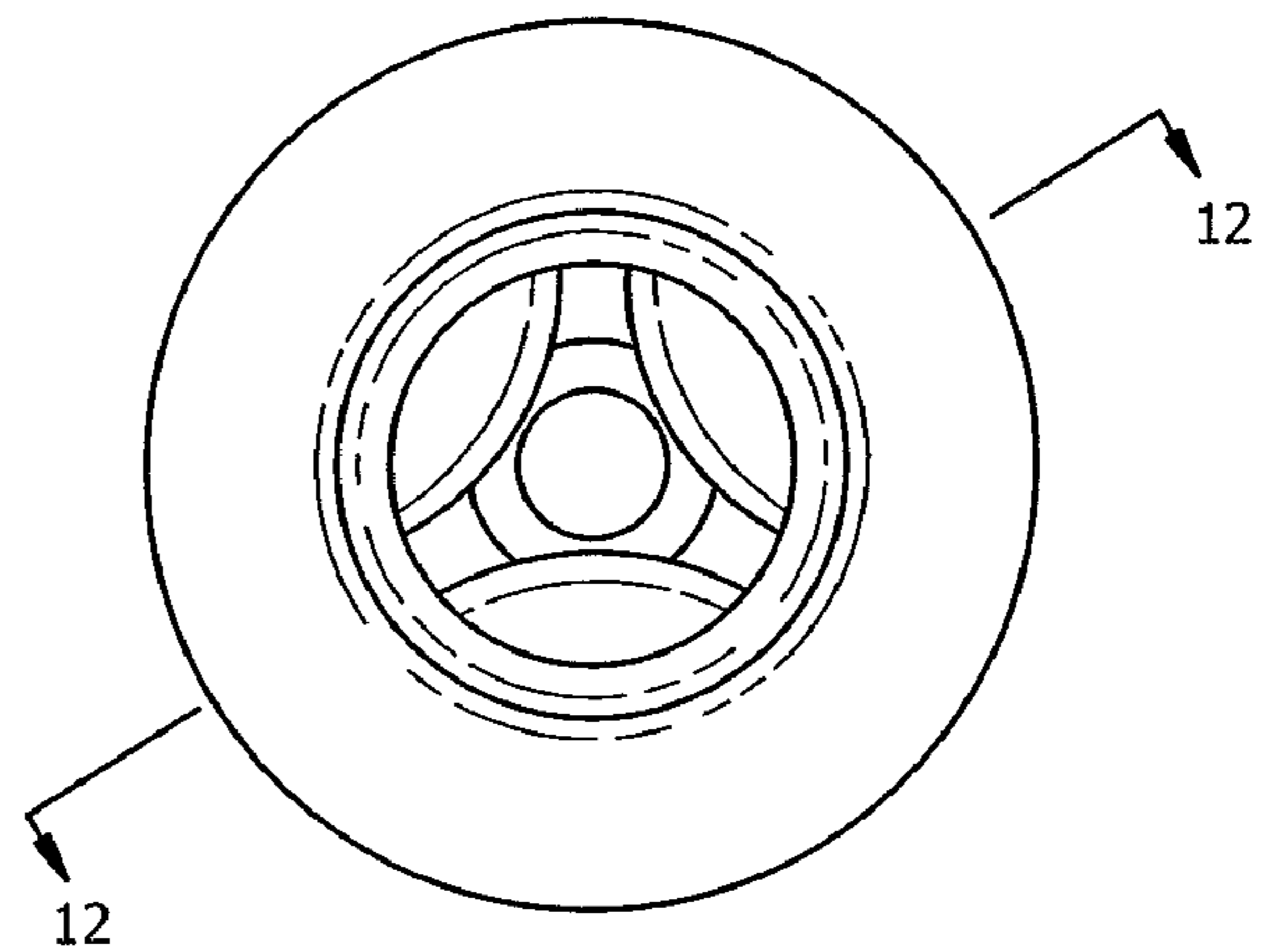


FIG. 8

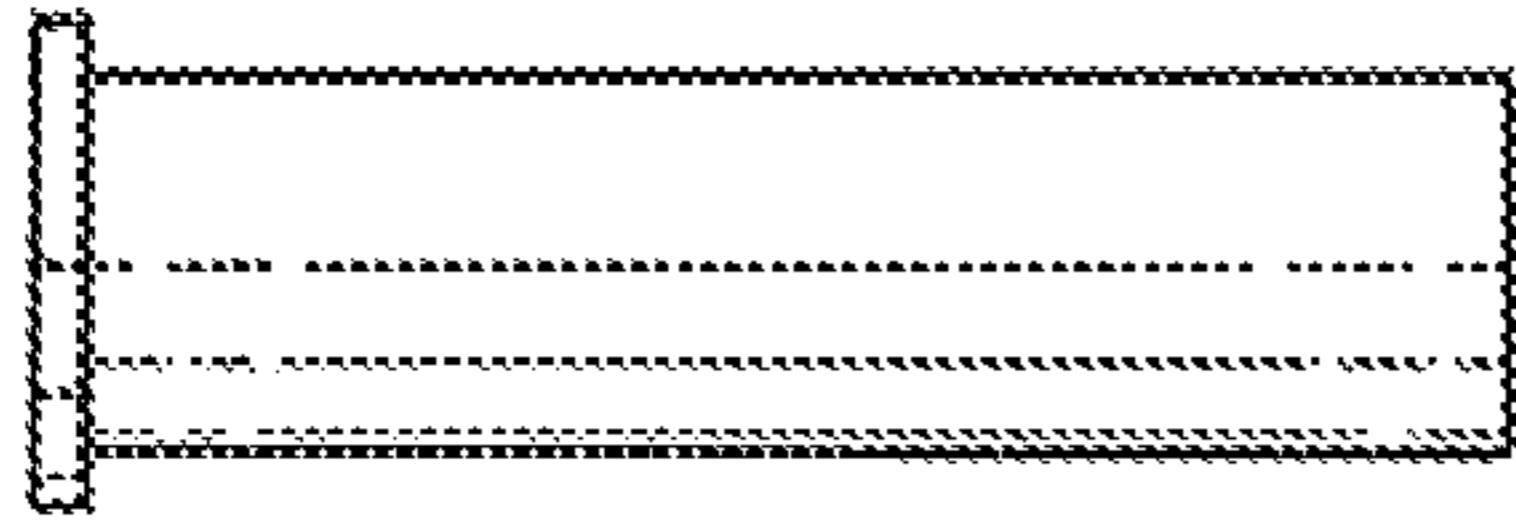


FIG. 9

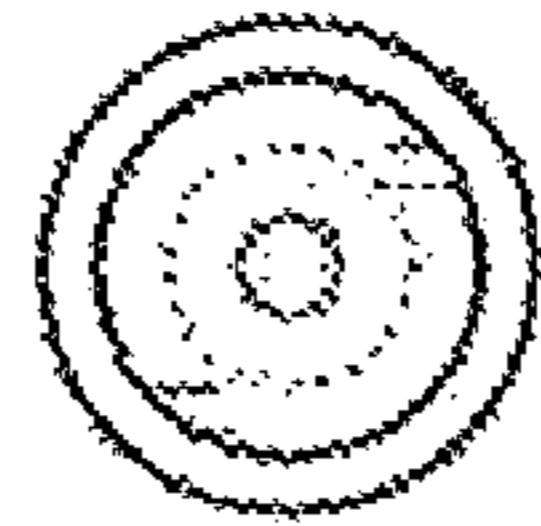


FIG. 10

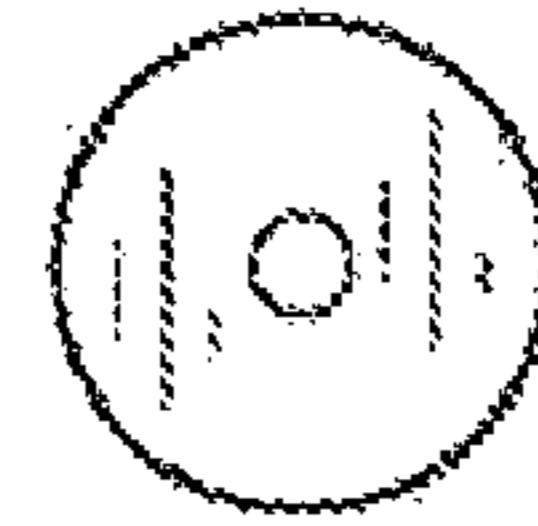


FIG. 11

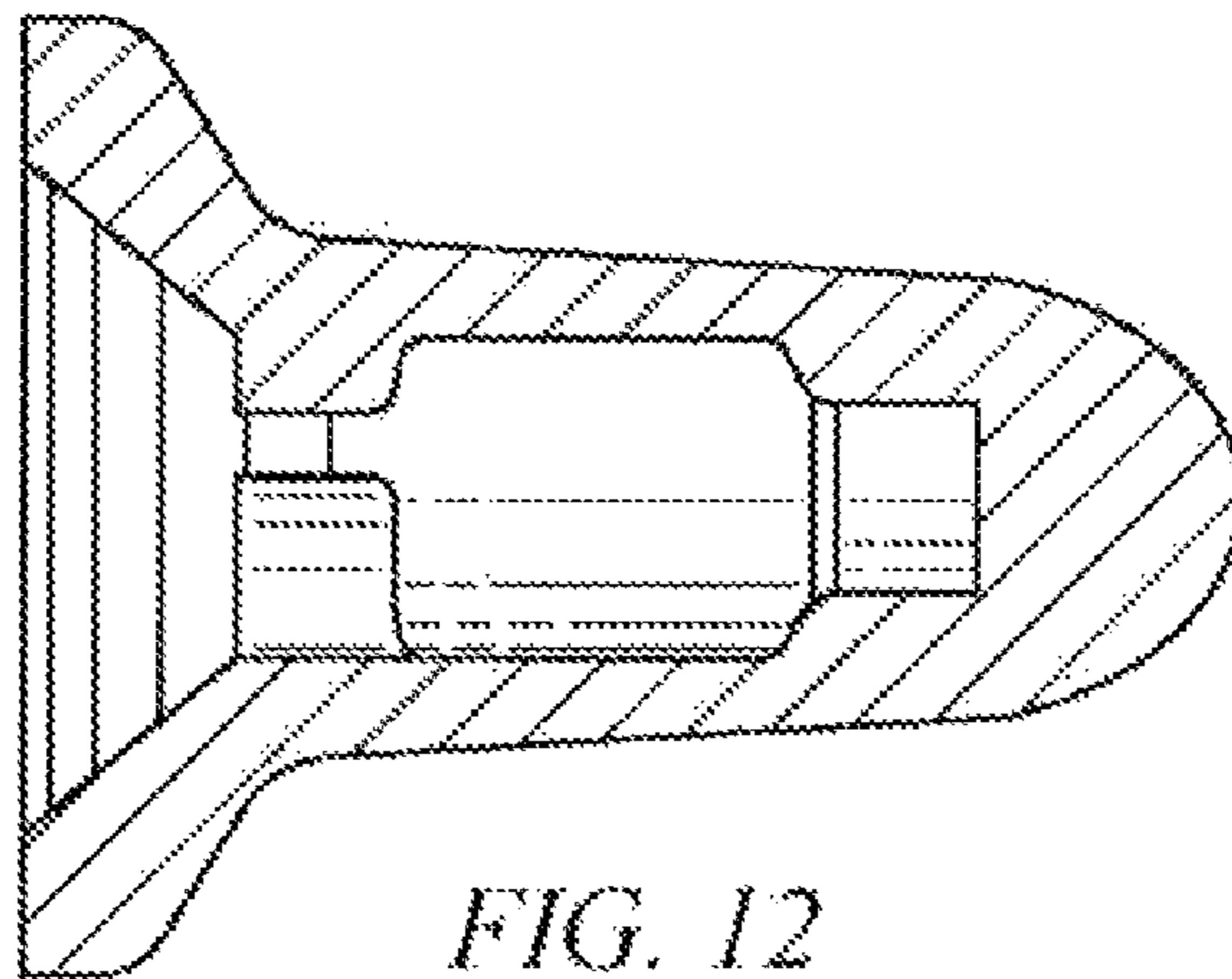


FIG. 12